

US00D498690S

(12) **United States Design Patent**
Joss et al.

(10) **Patent No.:** **US D498,690 S**

(45) **Date of Patent:** **** Nov. 23, 2004**

(54) **SCALE**

(75) Inventors: **Michael S. Joss**, Chicago, IL (US);
Peter Joseph Zerillo, Chicago, IL (US)

(73) Assignee: **Tanita Corporation**, Tokyo (JP)

(**) Term: **14 Years**

(21) Appl. No.: **29/196,387**

(22) Filed: **Dec. 30, 2003**

(51) **LOC (7) Cl.** **10-04**

(52) **U.S. Cl.** **D10/92**

(58) **Field of Search** D10/92-93; 177/238-245,
177/25.13, 25.15, 25.16, 210 C, 210 R,
211, DIG. 3

(56) **References Cited**

U.S. PATENT DOCUMENTS

D419,472 S * 1/2000 Cappiello D10/92

* cited by examiner

Primary Examiner—Antoine D. Davis

(74) *Attorney, Agent, or Firm*—McDermott Will & Emery
LLP

(57) **CLAIM**

The ornamental design for a scale, as shown and described.

DESCRIPTION

FIG. 1 is a front perspective view of the scale showing the new design;

FIG. 2 is a front view of the scale;

FIG. 3 is a rear view of the scale;

FIG. 4 is a side view of the scale;

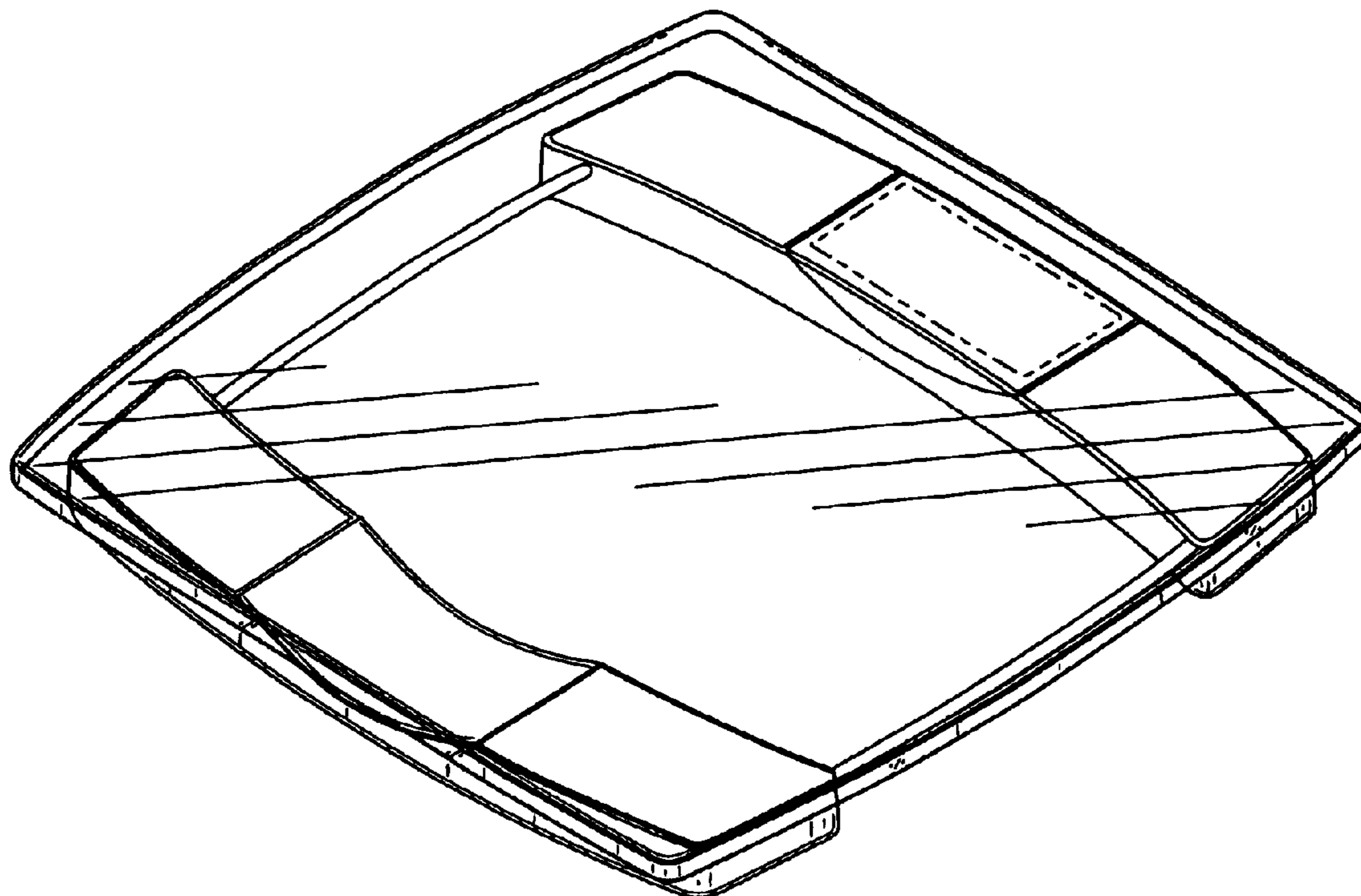
FIG. 5 is another side view of the scale;

FIG. 6 is a top view of the scale; and,

FIG. 7 is a bottom view of the scale.

The broken line showing is for illustrative purposes only and forms no part of the claimed design.

1 Claim, 7 Drawing Sheets



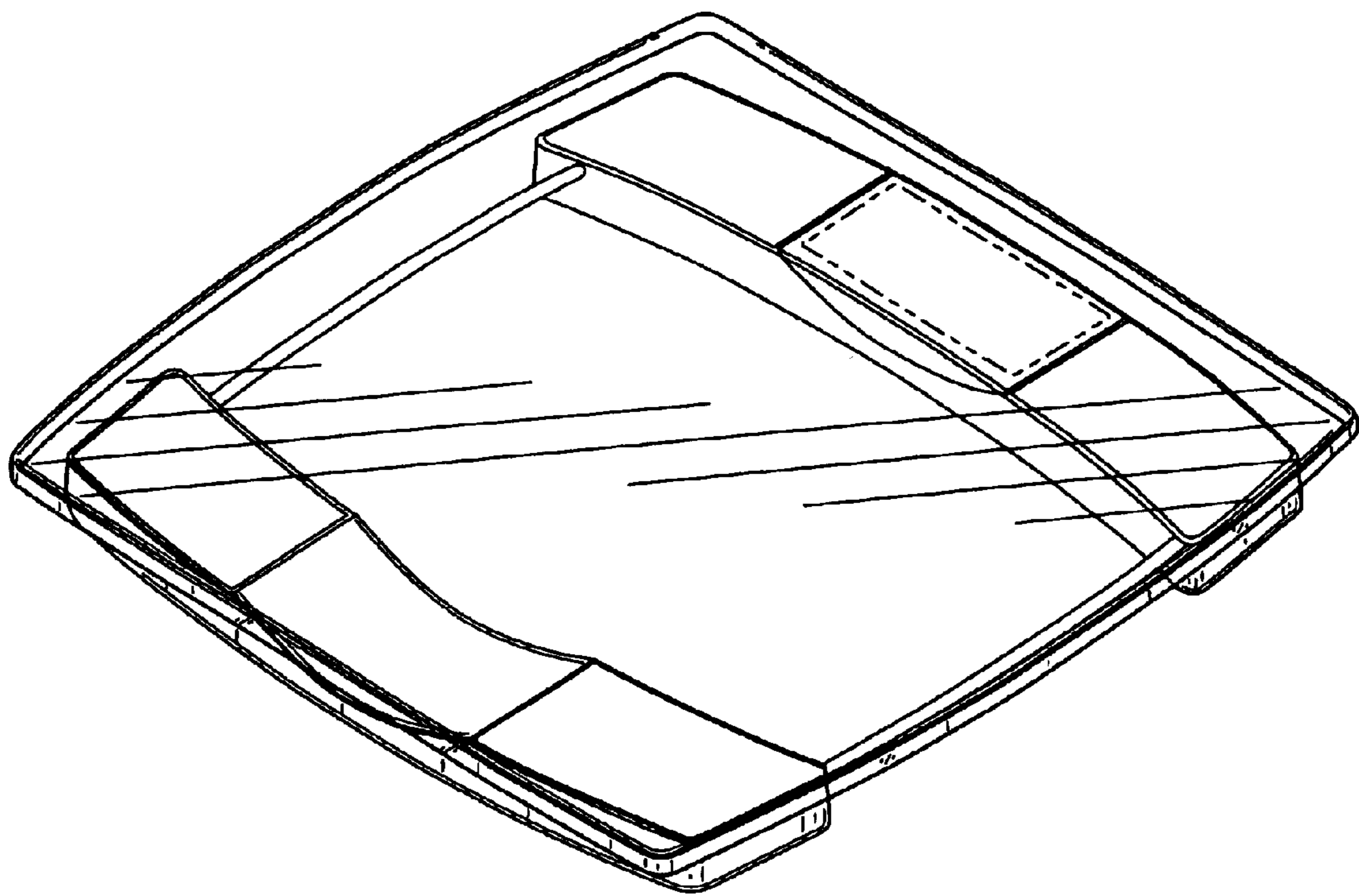


FIG. 1

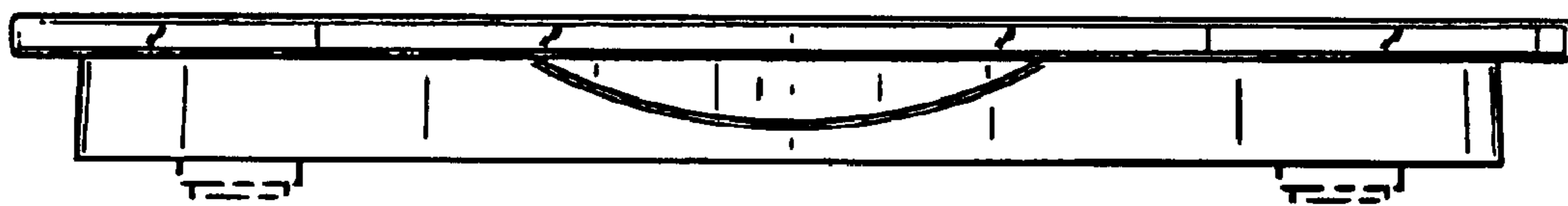


FIG. 2

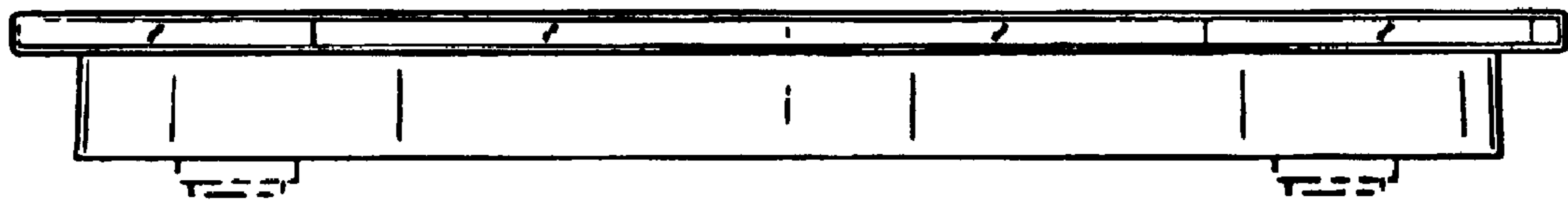


FIG. 3

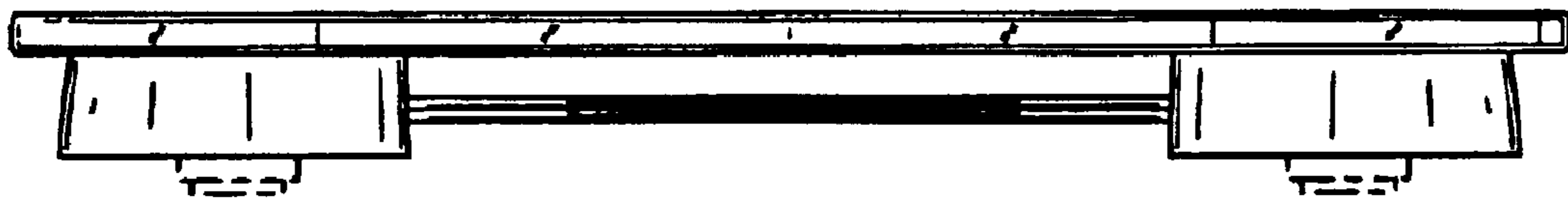


FIG. 4

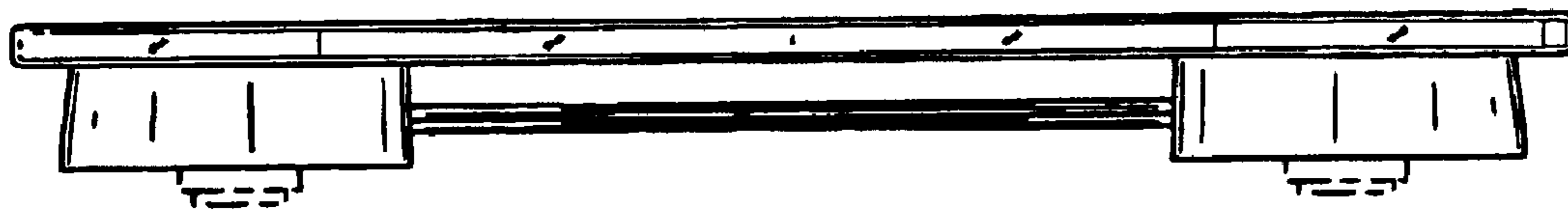


FIG. 5

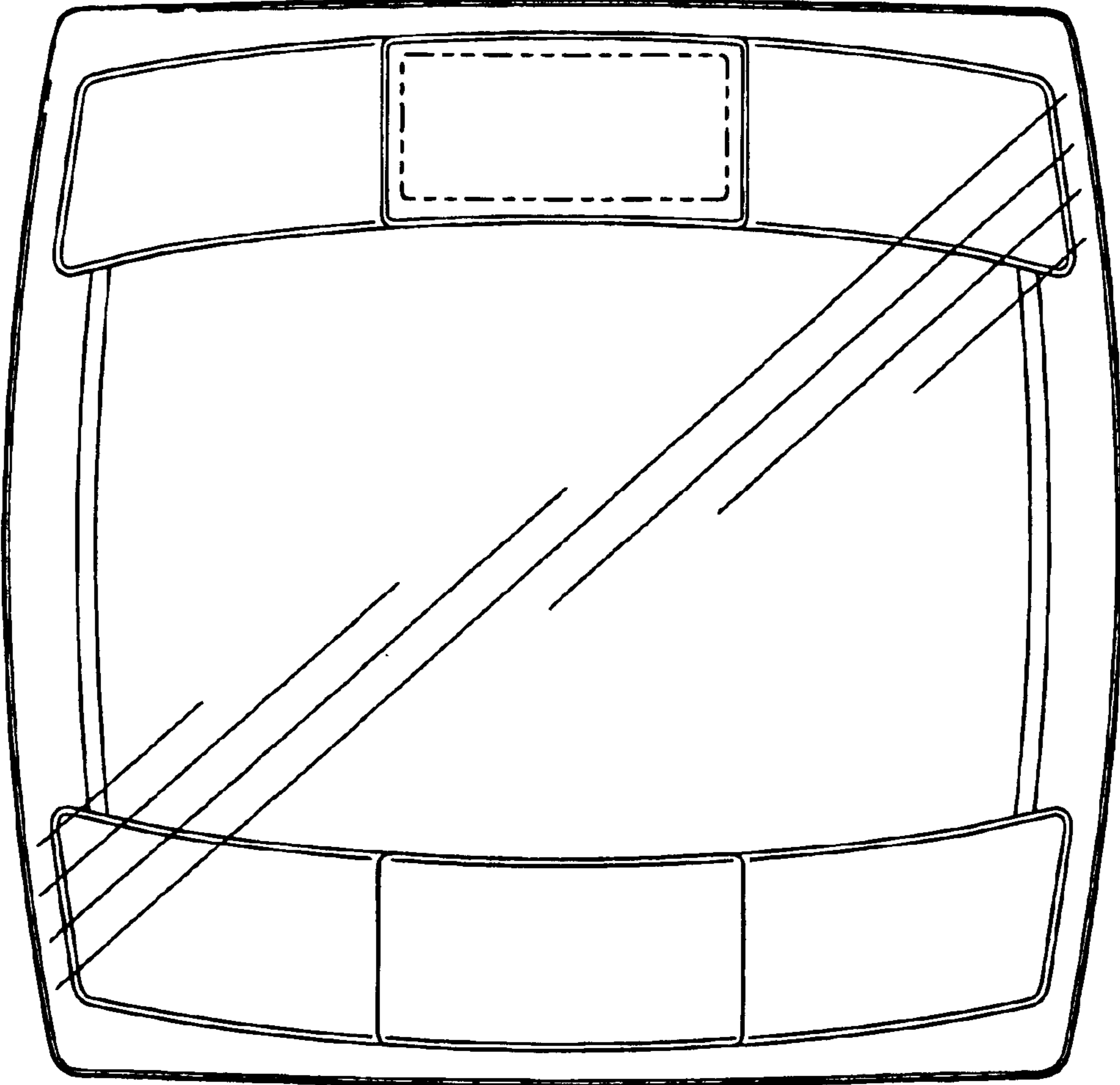


FIG. 6

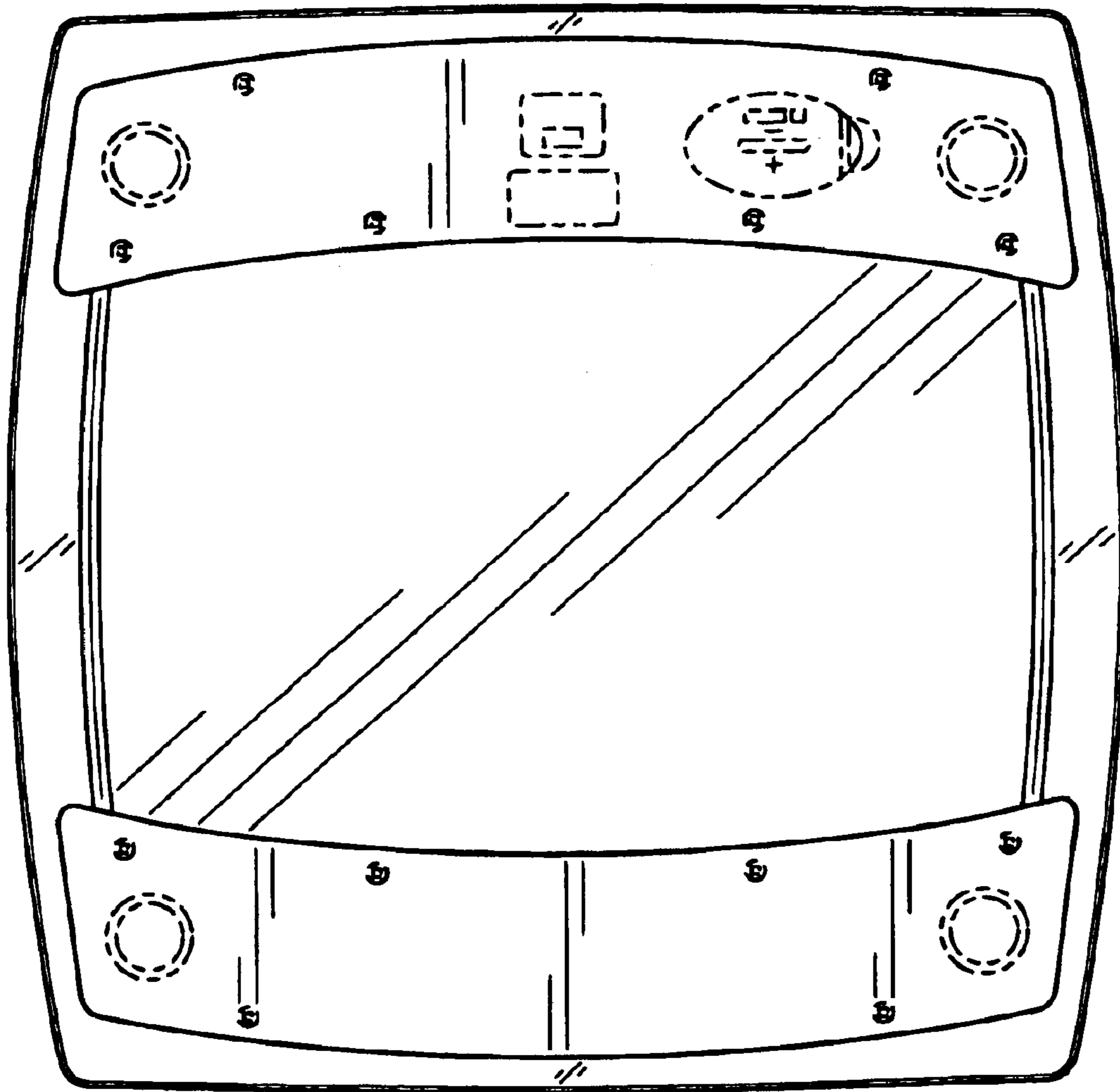


FIG. 7