

US00D498689S

(12) **United States Design Patent**
Lee

(10) **Patent No.: US D498,689 S**

(45) **Date of Patent: ** Nov. 23, 2004**

(54) **COOKING SCALE**

D489,635 S * 5/2004 Thadani D10/91

(75) Inventor: **Wu Hsiung Lee**, Taichung (TW)

* cited by examiner

(73) Assignee: **Shang Chuen Weighting Machine Co., Ltd.**, Taichung (TW)

Primary Examiner—Antoine D. Davis

(74) *Attorney, Agent, or Firm*—Troxell Law Office PLLC

(**) Term: **14 Years**

(57) **CLAIM**

The ornamental design for the “cooking scale,” as shown and described.

(21) Appl. No.: **29/185,659**

(22) Filed: **Jul. 2, 2003**

DESCRIPTION

(51) **LOC (7) Cl.** **10-04**

FIG. 1 is a perspective view of a cooking scale showing my new design;

(52) **U.S. Cl.** **D10/91**

FIG. 2 is a front view thereof;

(58) **Field of Search** D10/91; 177/238–245,
177/210 R, 210 C, 25, 30, DIG. 3

FIG. 3 is a rear view thereof;

FIG. 4 is a left side view thereof;

FIG. 5 is a right side view thereof;

FIG. 6 is a top view thereof;

FIG. 7 is a bottom view thereof; and,

FIG. 8 is a diagram showing the operation mode thereof.

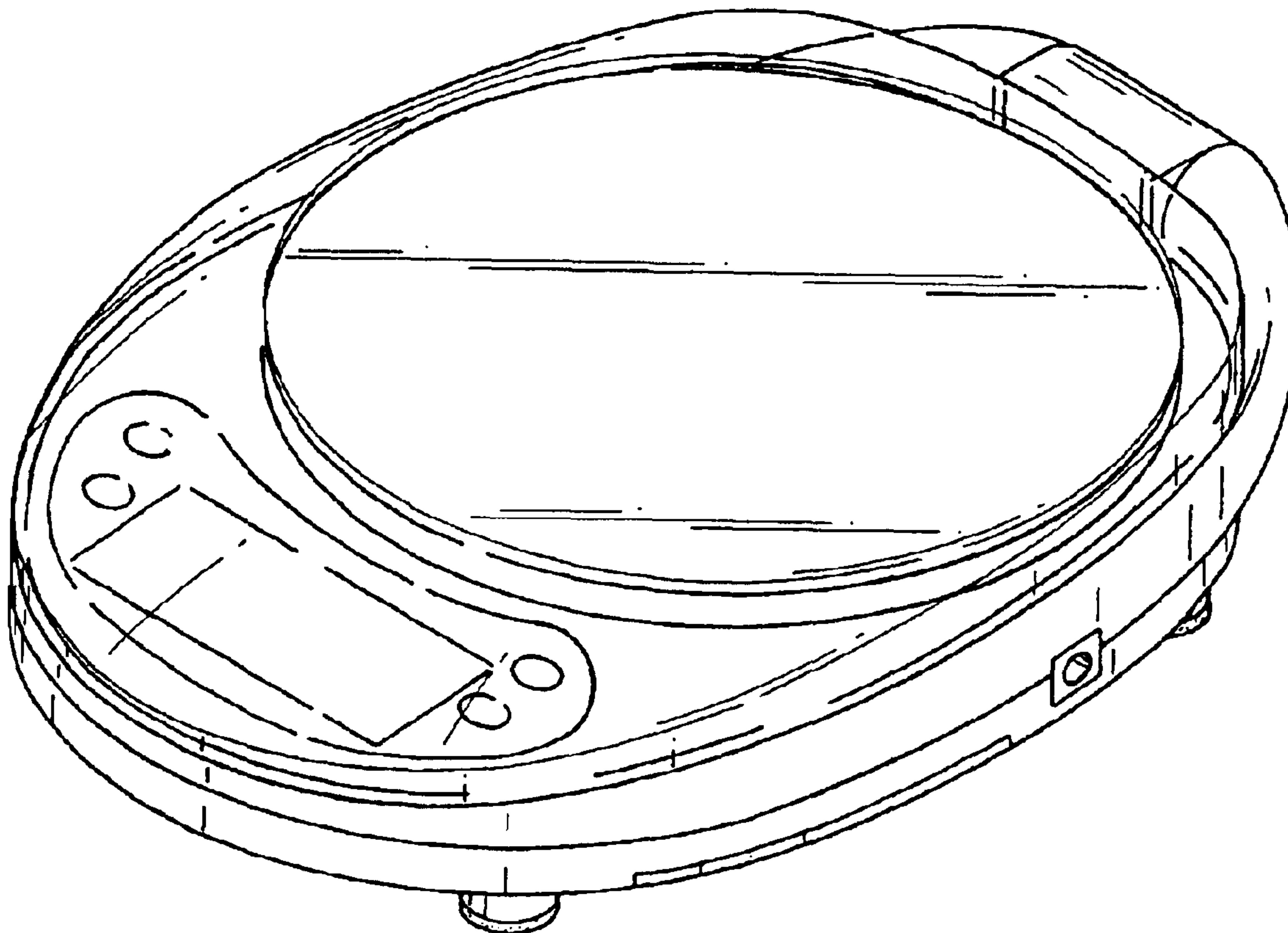
The broken line showing is for illustrative purposes only and forms no part of the claimed design.

(56) **References Cited**

U.S. PATENT DOCUMENTS

D374,185 S	*	10/1996	Juteau	D10/91
D386,996 S	*	12/1997	Andrieu	D10/91
D401,173 S	*	11/1998	Kurata et al.	D10/91
D455,092 S	*	4/2002	Kesselman	D10/91
D486,088 S	*	2/2004	Kesselman	D10/91

1 Claim, 6 Drawing Sheets



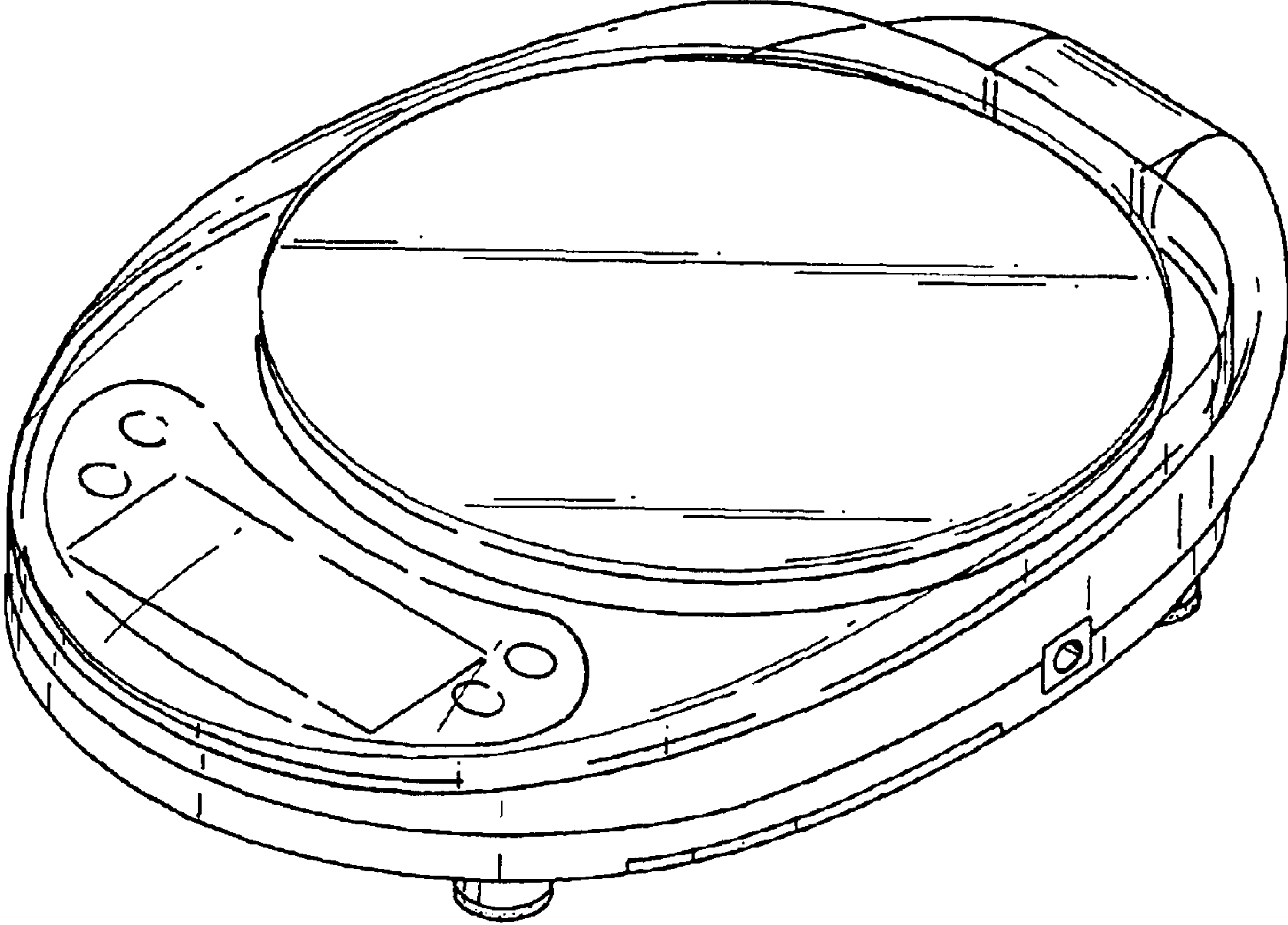


FIG. 1

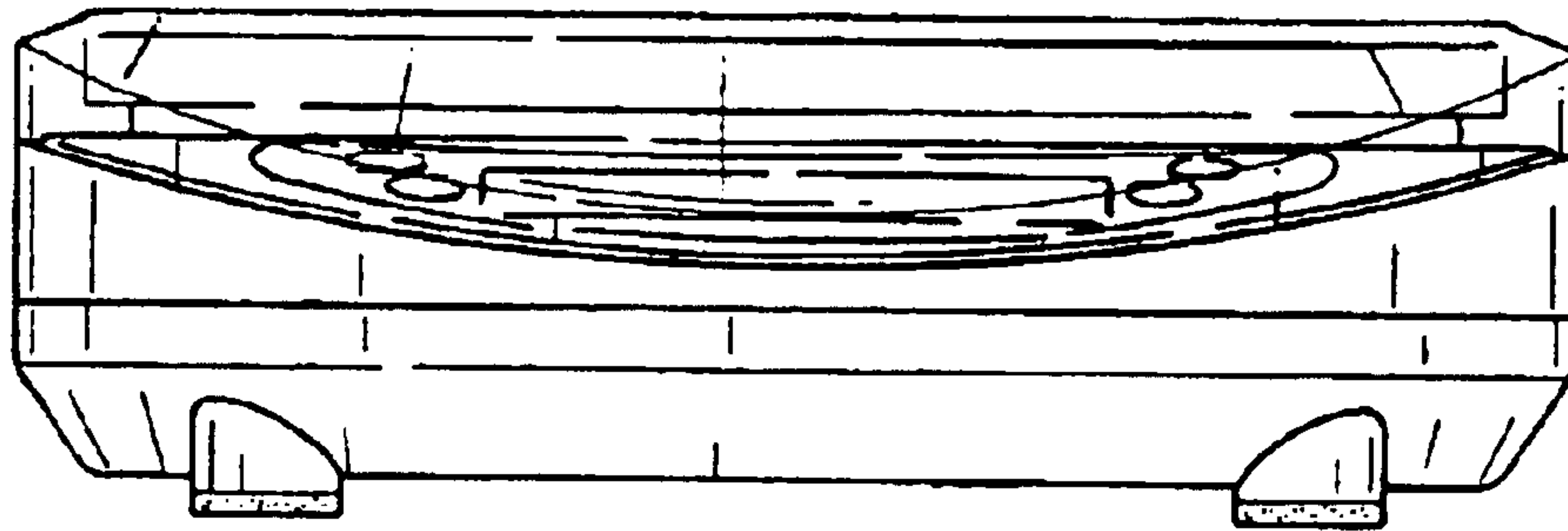


FIG. 2

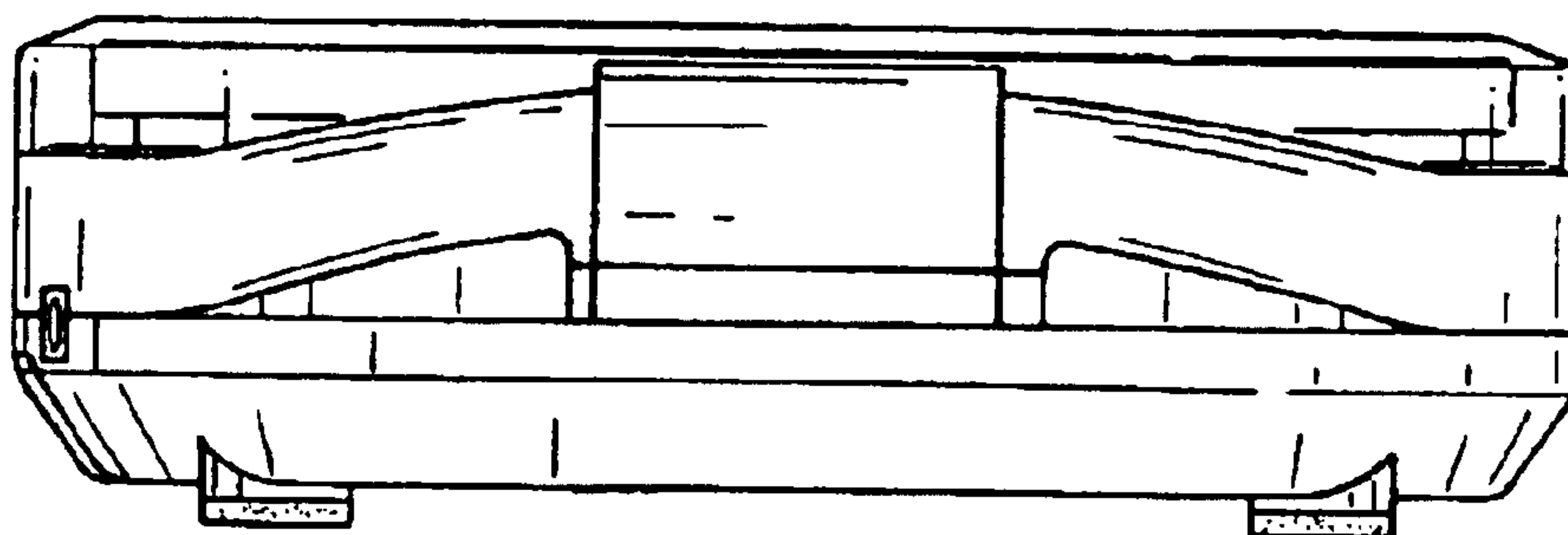


FIG. 3

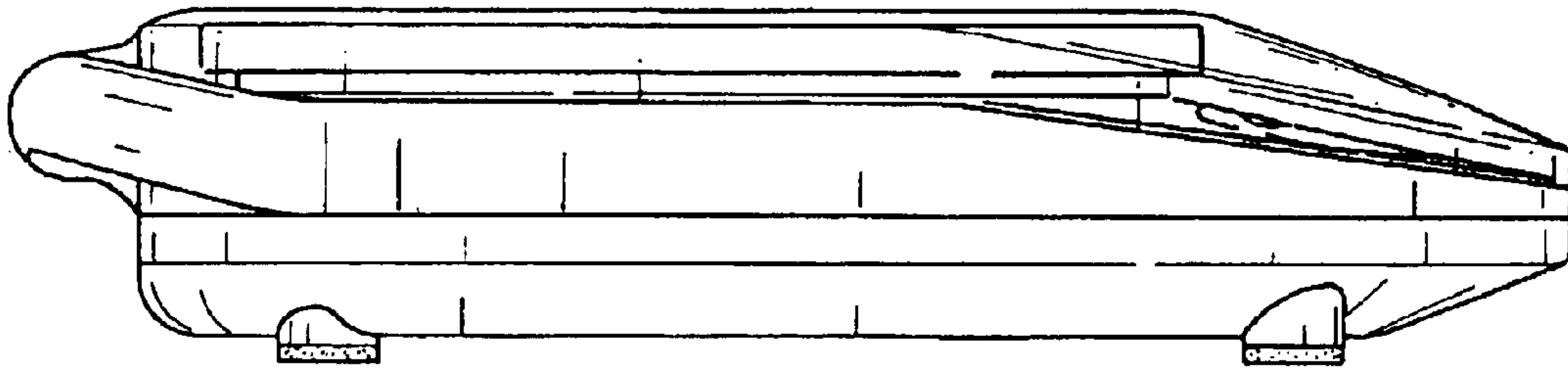


FIG. 4

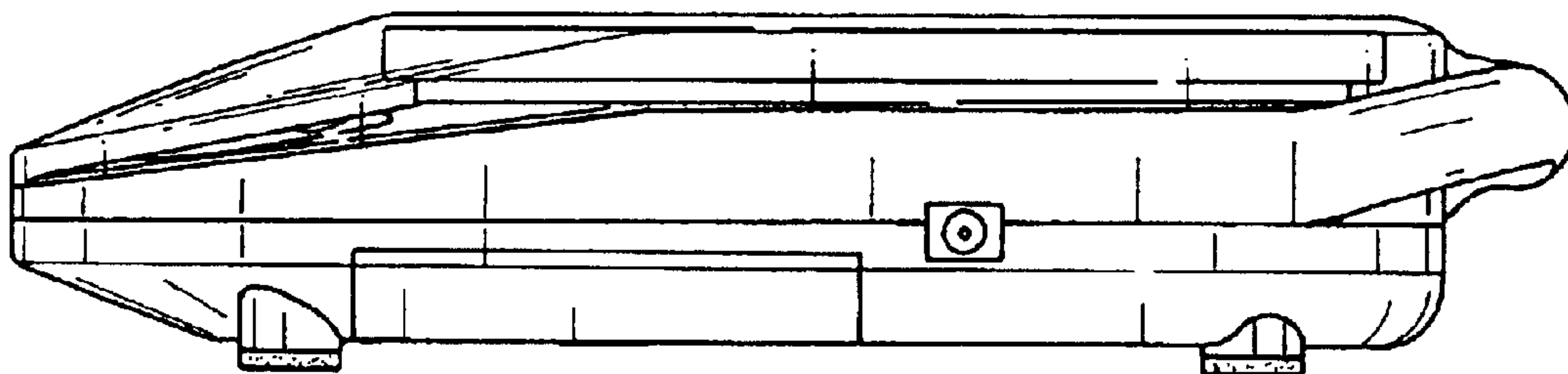


FIG. 5

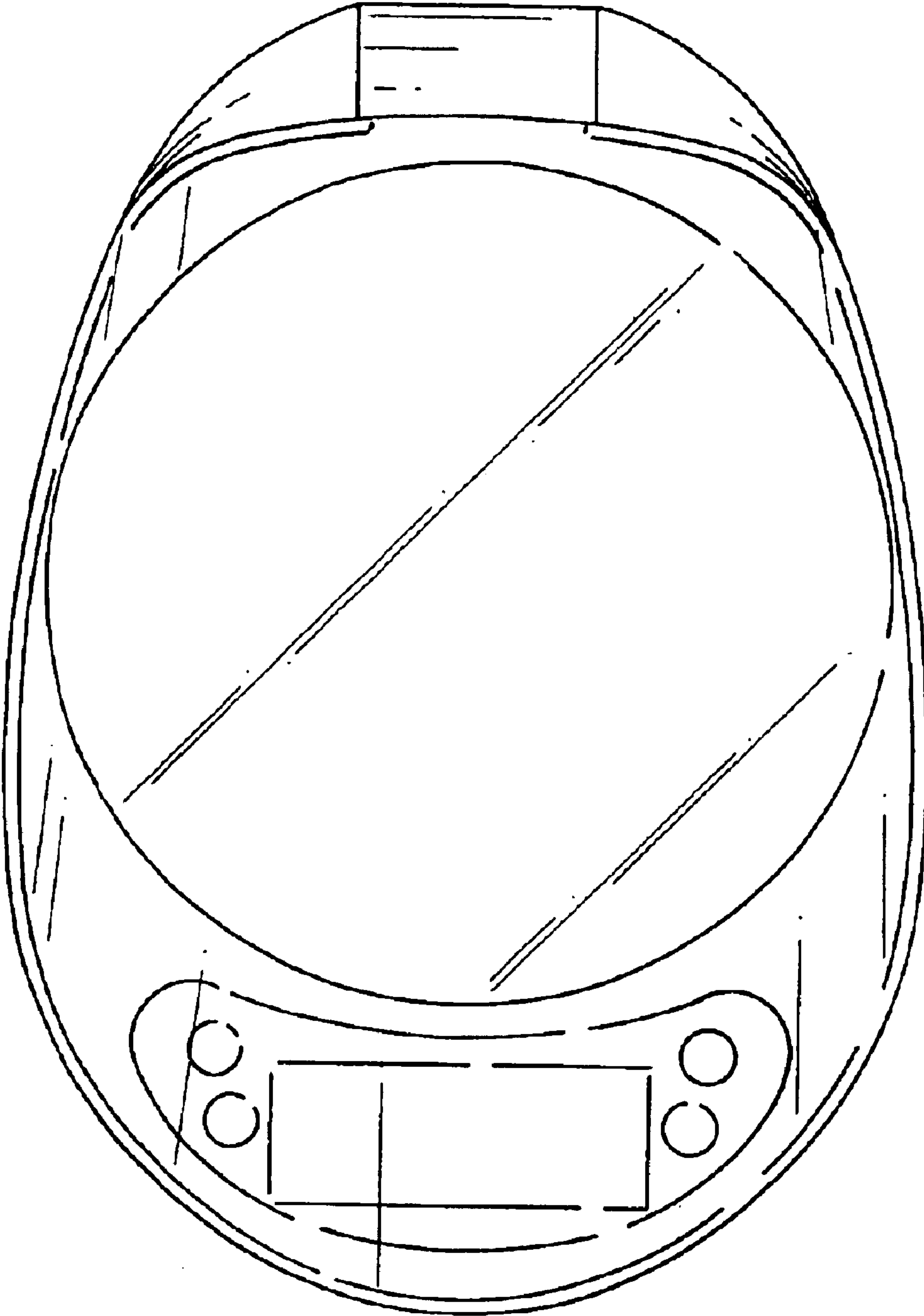


FIG. 6

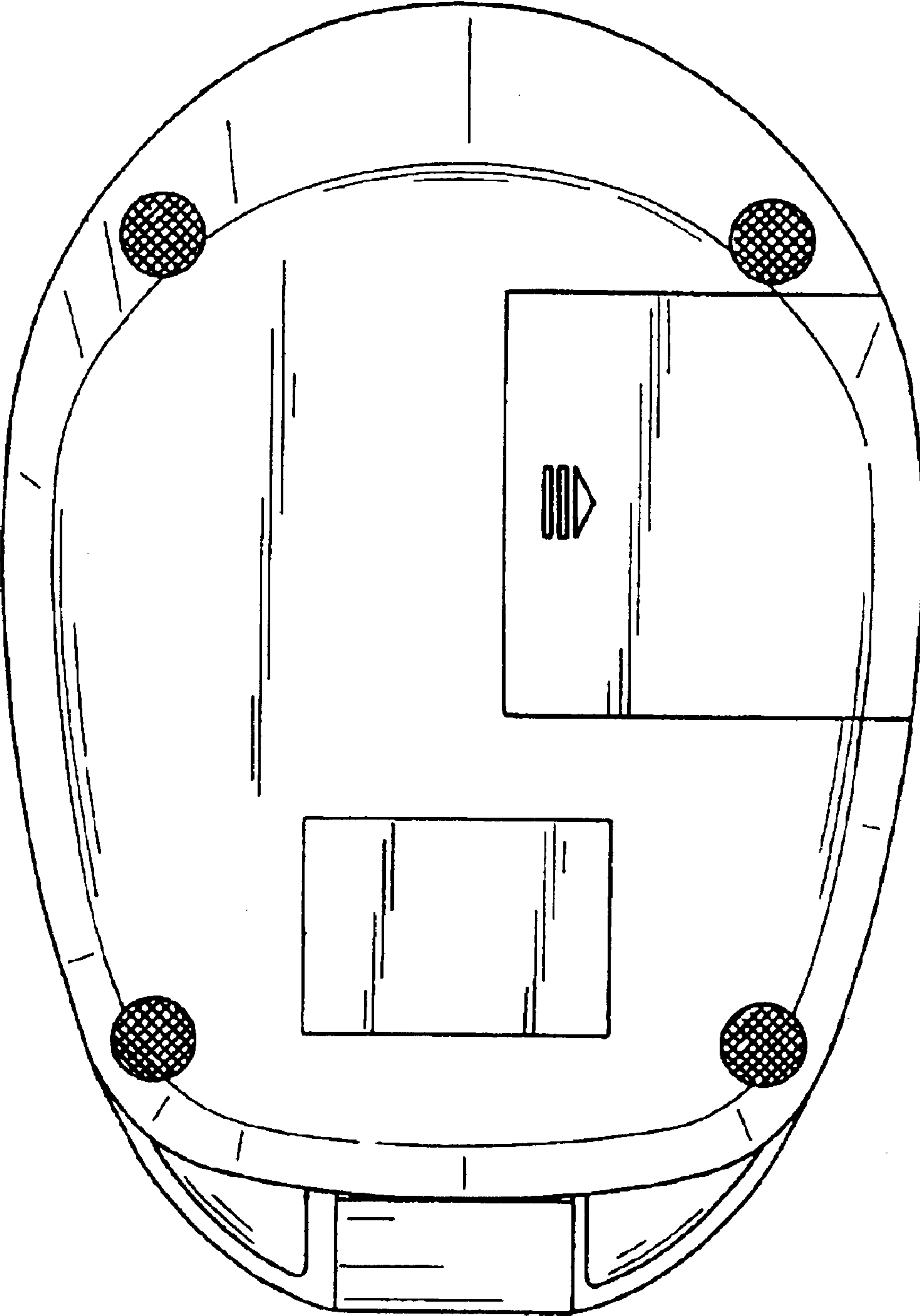


FIG. 7

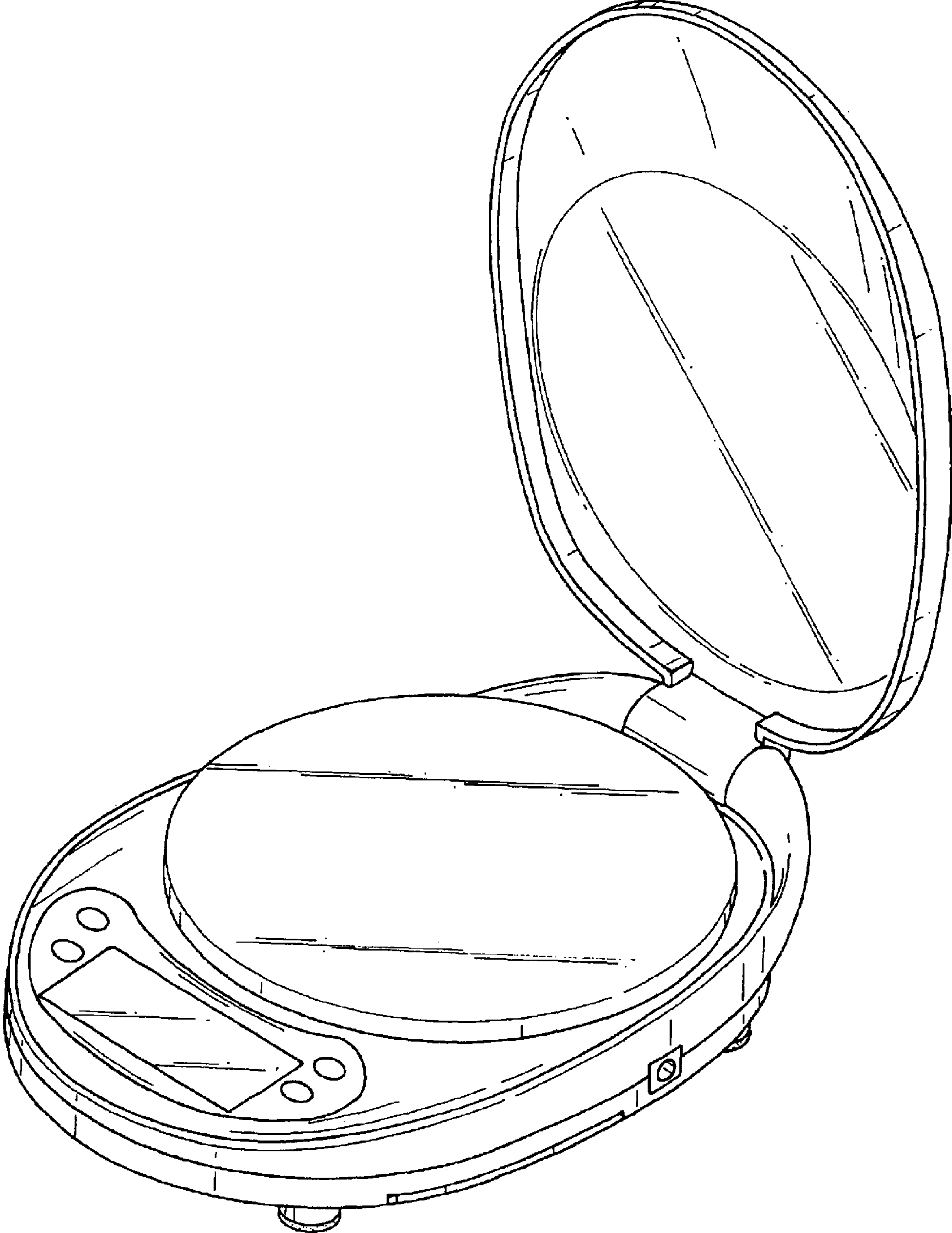


FIG. 8