

US00D498687S

(12) **United States Design Patent**
Lopano

(10) **Patent No.:** **US D498,687 S**

(45) **Date of Patent:** **** Nov. 23, 2004**

(54) **LASER LEVEL**

(75) **Inventor:** **Daniel N. Lopano**, Towson, MD (US)

(73) **Assignee:** **Black & Decker Inc.**, Newark, DE (US)

(**) **Term:** **14 Years**

(21) **Appl. No.:** **29/201,635**

(22) **Filed:** **Mar. 18, 2004**

(51) **LOC (7) Cl.** **10-04**

(52) **U.S. Cl.** **D10/69**

(58) **Field of Search** D10/69, 65; 33/285,
33/286, 290, 291, DIG. 21, 365-390, 348.2;
356/247-249; 362/259

(56) **References Cited**

U.S. PATENT DOCUMENTS

5,907,907	A	*	6/1999	Ohtomo et al.	33/291
5,946,087	A	*	8/1999	Kasori et al.	356/249
5,967,645	A	*	10/1999	Anderson	362/259
D418,432	S	*	1/2000	Krantz	D10/69

6,128,326	A	*	10/2000	Kousek et al.	372/109
6,184,979	B1	*	2/2001	Hirano et al.	356/247
6,332,694	B1	*	12/2001	Chih-Hsiung	362/259
D461,135	S	*	8/2002	Watson et al.	D10/69
D464,578	S	*	10/2002	Zurwelle	D10/69

* cited by examiner

Primary Examiner—Lucy Lieberman

(74) *Attorney, Agent, or Firm*—Adan Ayala

(57) **CLAIM**

The ornamental design for a laser level, as shown and described.

DESCRIPTION

FIG. 1 is a perspective view of a laser level showing my new design.

FIG. 2 is a front elevation of the laser level.

FIG. 3 is a rear elevation of the laser level.

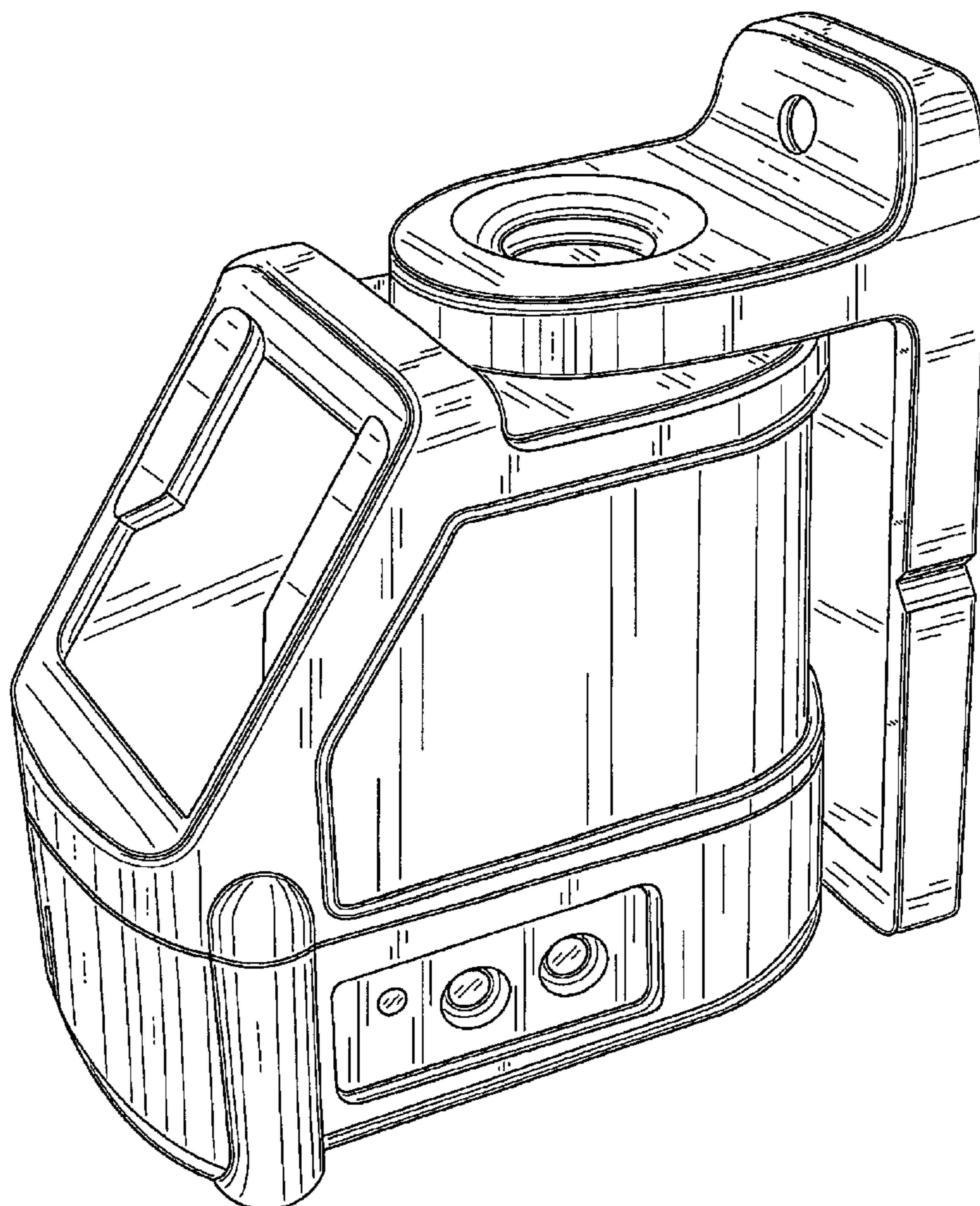
FIG. 4 is a left side elevation of the laser level.

FIG. 5 is a right side elevation of the laser level.

FIG. 6 is a top plan view of the laser level; and,

FIG. 7 is a bottom plan view of the laser level.

1 Claim, 7 Drawing Sheets



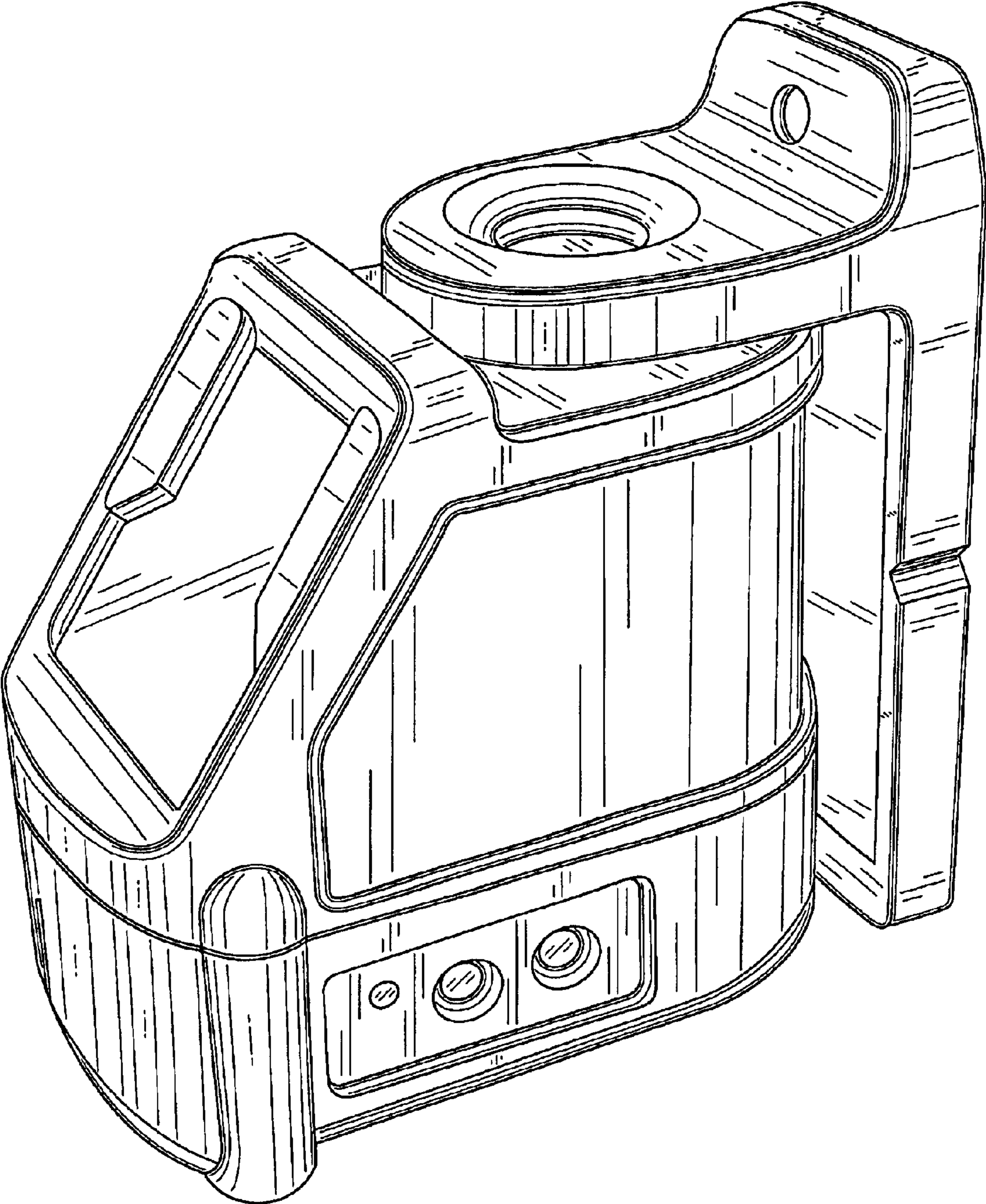


FIG. 1

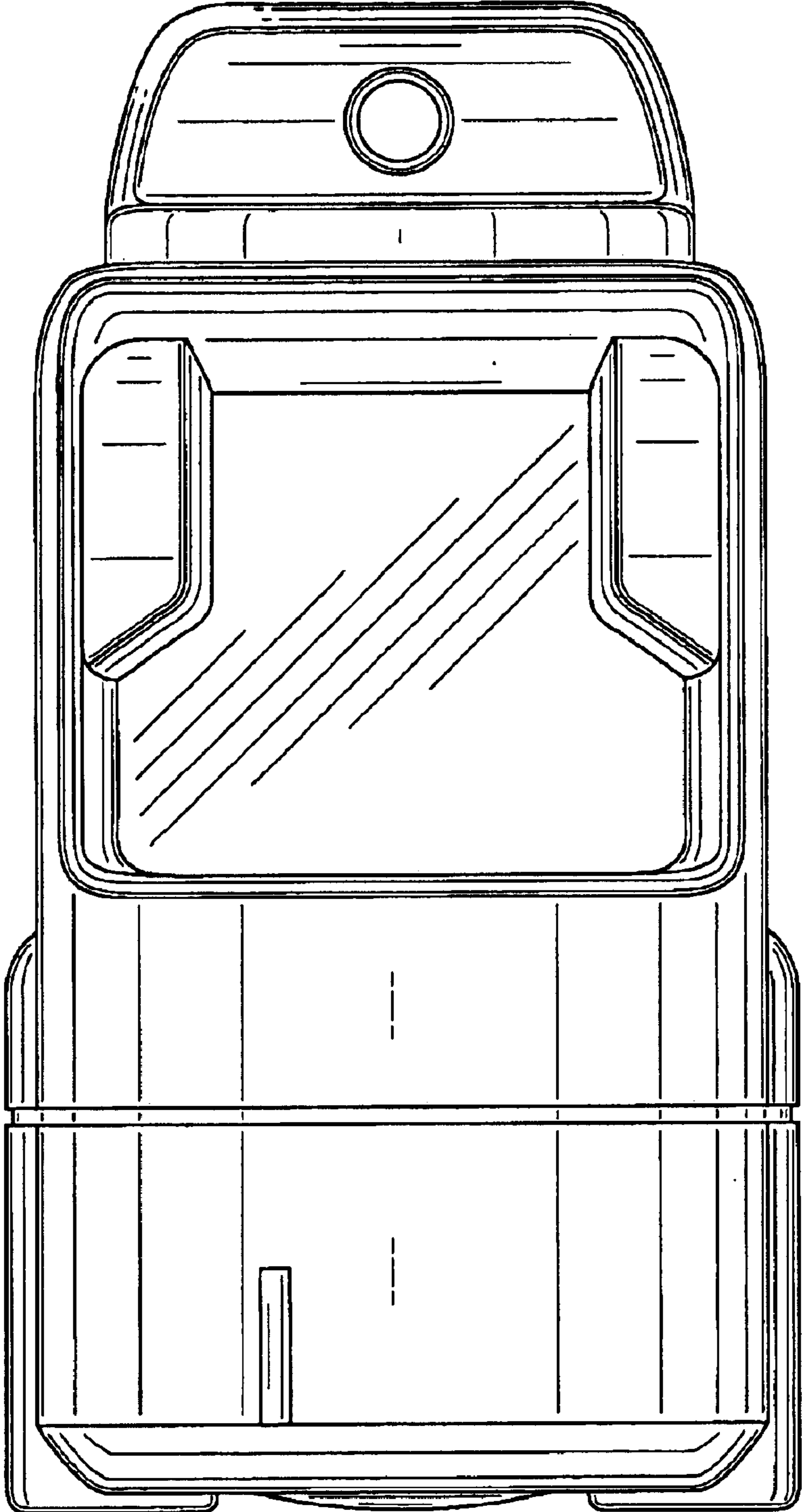


FIG. 2

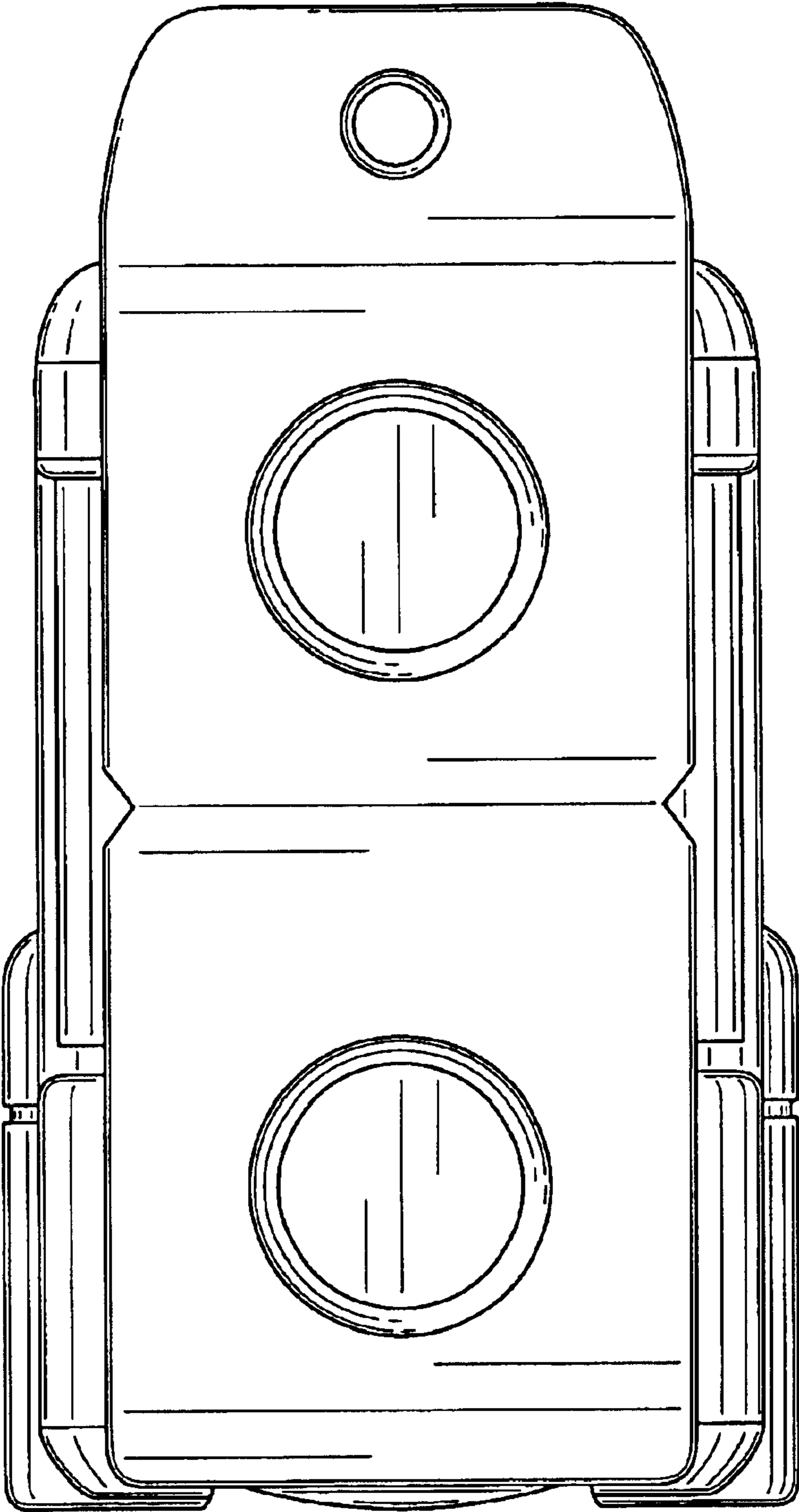


FIG. 3

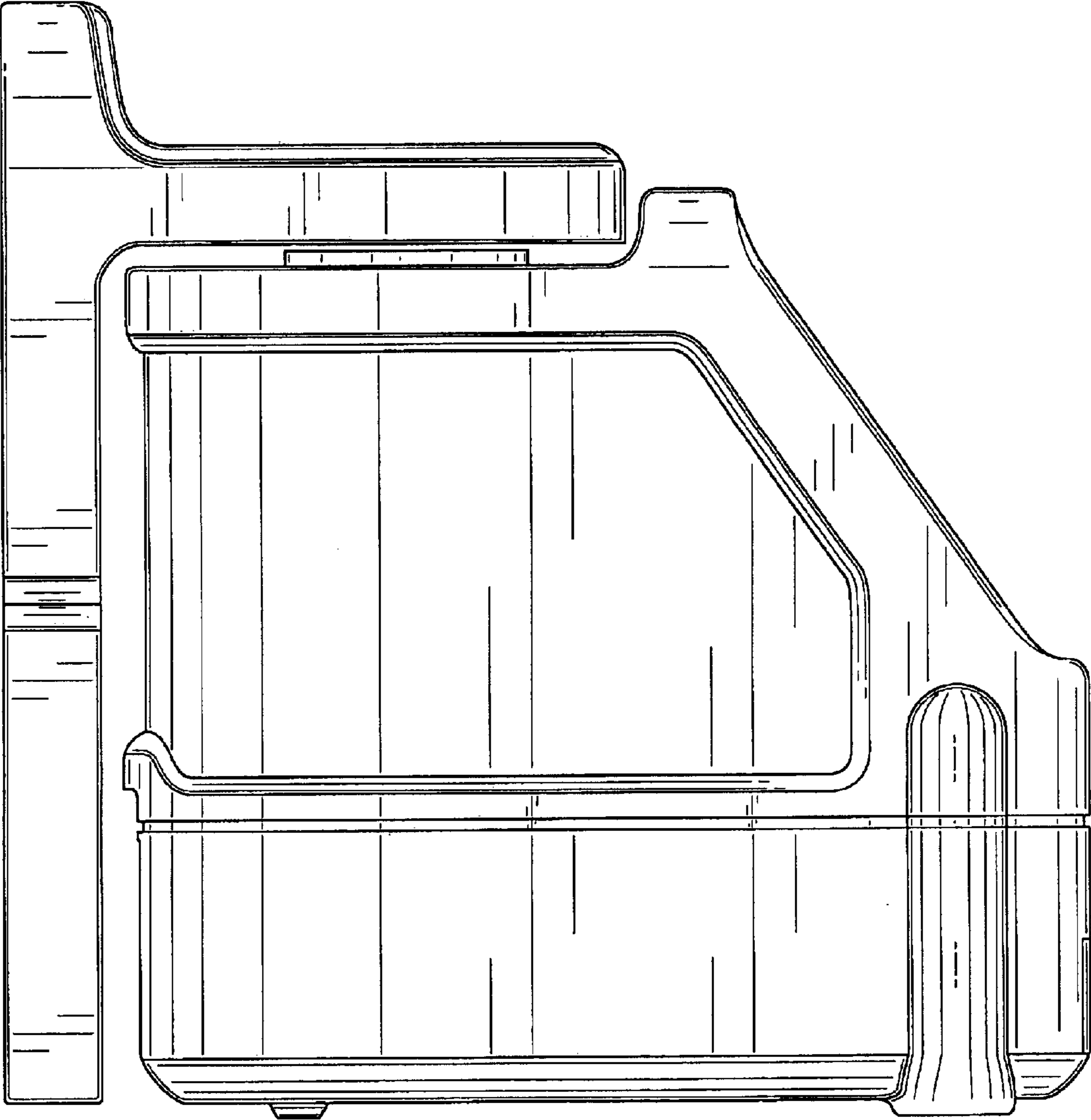


FIG. 4

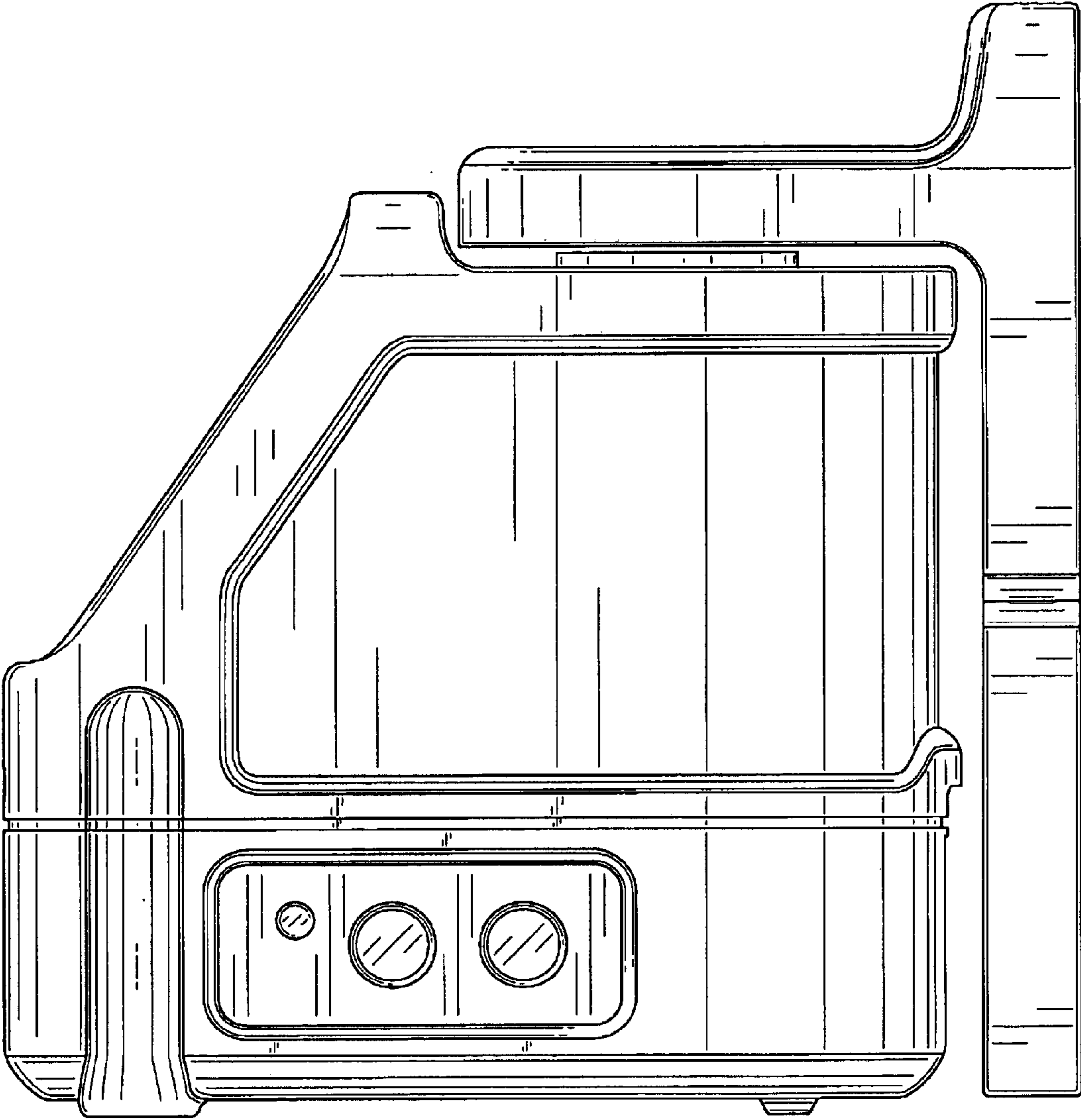


FIG. 5

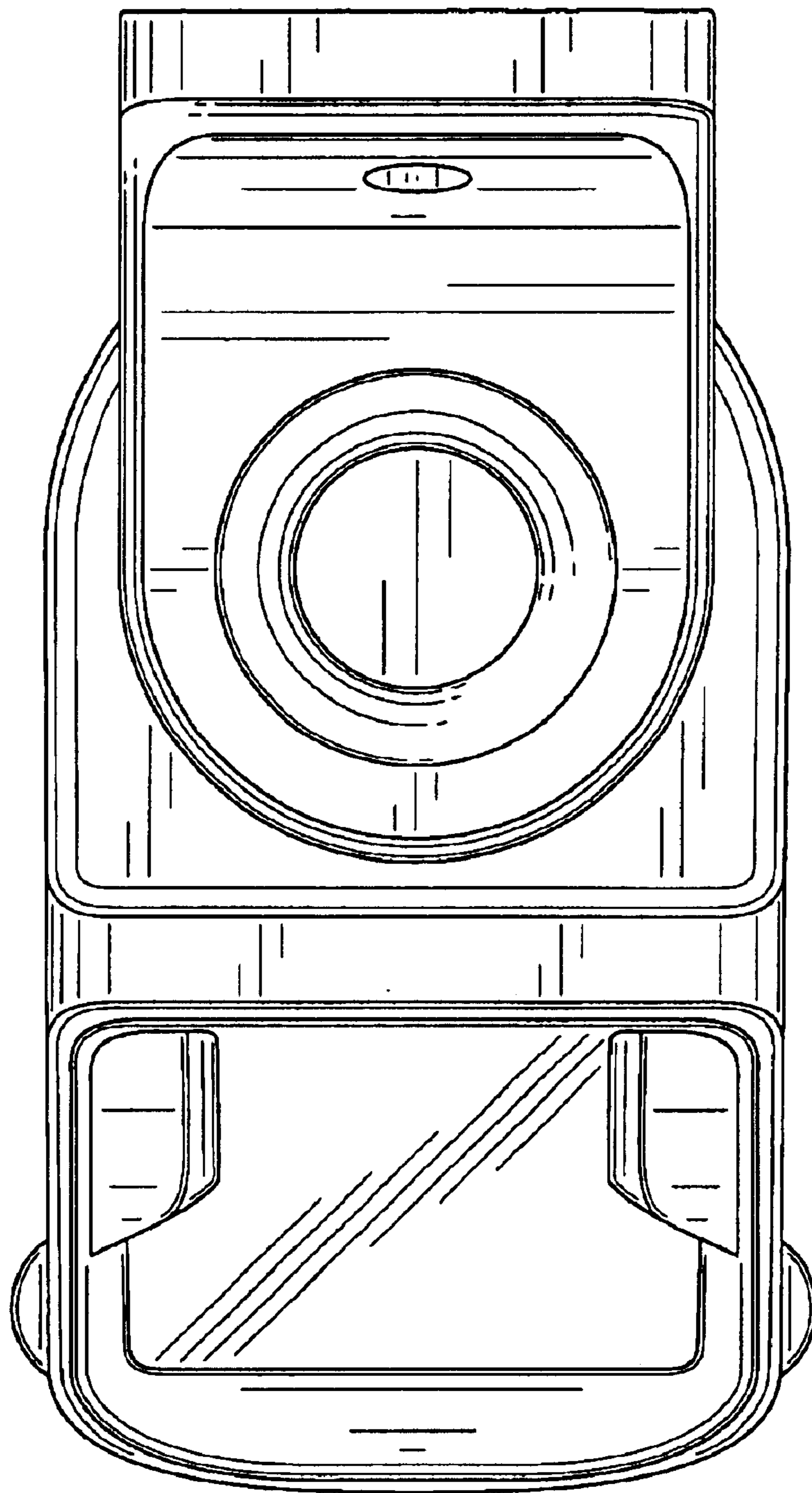


FIG. 6

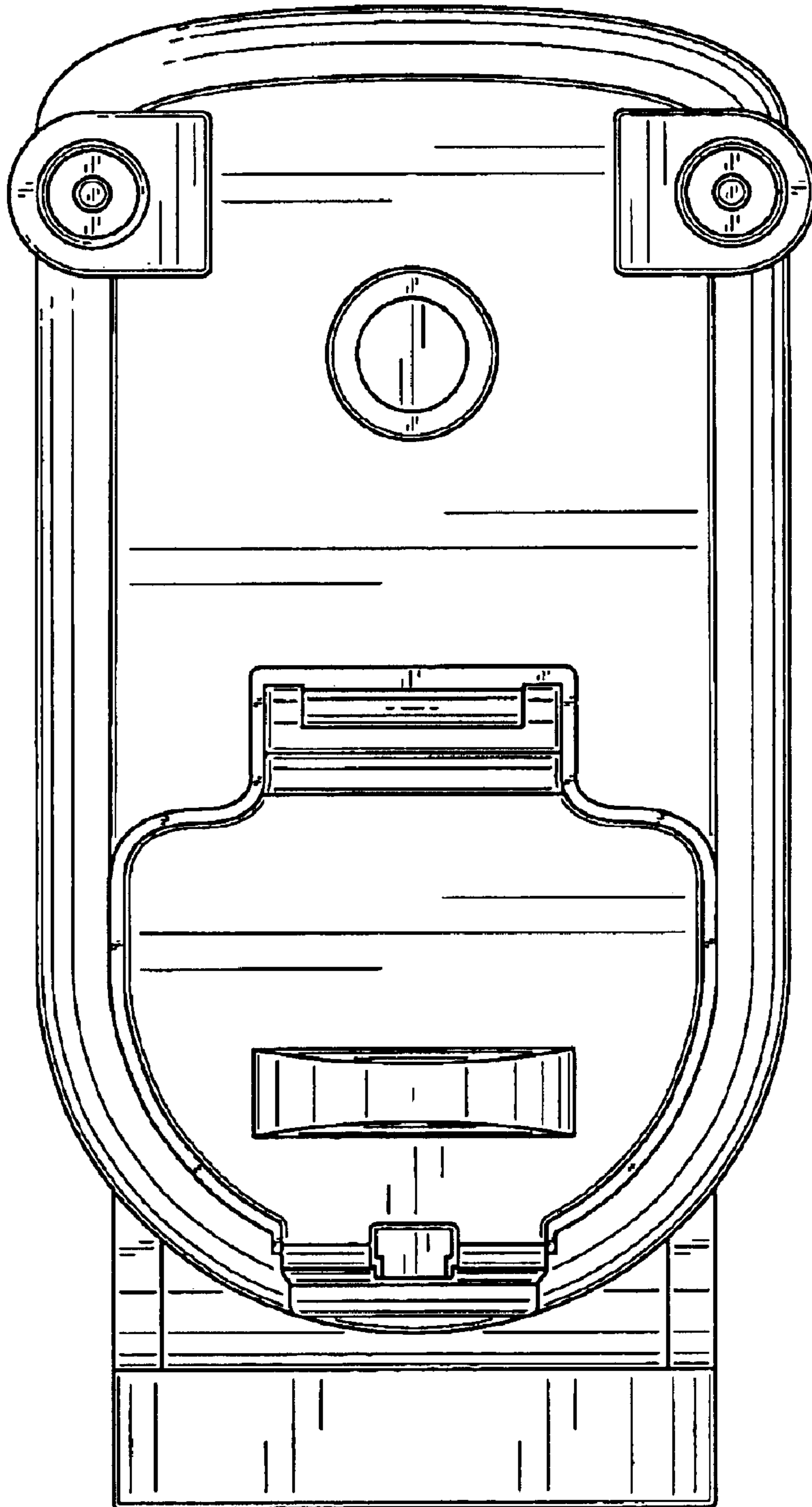


FIG. 7