



US00D498686S

(12) **United States Design Patent** (10) **Patent No.:** **US D498,686 S**
Levinson et al. (45) **Date of Patent:** **** Nov. 23, 2004**

(54) **POCKET LEVEL WITH DETACHABLE LINE LEVEL**

(75) Inventors: **Amy Levinson**, Upper Galilee (IL);
Gabriel Kohner, Upper Galilee (IL)

(73) Assignee: **Kapro Industries Ltd.**, M.P. Bikat Beit Hakerem (IL)

(**) Term: **14 Years**

(21) Appl. No.: **29/196,718**

(22) Filed: **Jan. 2, 2004**

(51) **LOC (7) Cl.** **10-04**

(52) **U.S. Cl.** **D10/69**

(58) **Field of Search** D10/69; 33/368-390

(56) **References Cited**

U.S. PATENT DOCUMENTS

3,225,451	A	12/1965	Olexson et al.	
3,878,617	A	4/1975	West et al.	
4,068,386	A	1/1978	Streeter	
4,109,392	A	8/1978	Streeter	
D332,226	S *	1/1993	Hutchins et al.	D10/69
D469,370	S *	1/2003	Gruetzmacher et al.	D10/69

FOREIGN PATENT DOCUMENTS

GB	2 210 167	6/1989
GB	2 259 570	3/1993

* cited by examiner

Primary Examiner—Antoine D. Davis
(74) *Attorney, Agent, or Firm*—Nath & Associates PLLC;
Harold L. Novick

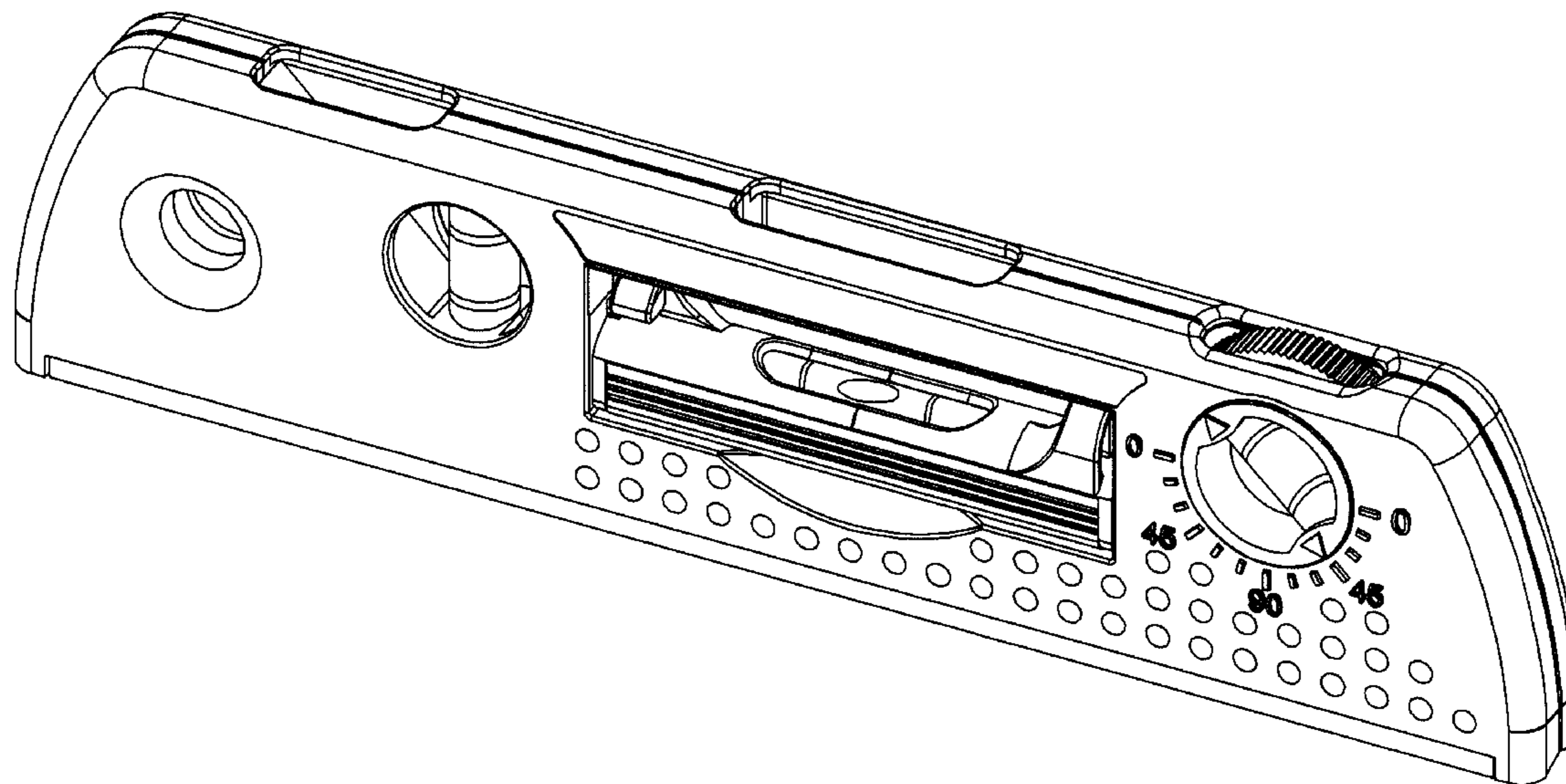
(57) **CLAIM**

The ornamental design for a pocket level with detachable line level, as shown and described.

DESCRIPTION

FIG. 1 is a perspective view of a pocket level with a detachable line level assembled therein;
 FIG. 2 is a front view of the pocket level of FIG. 1;
 FIG. 3 is a rear view of the pocket level of FIG. 1;
 FIG. 4 is a top view of the pocket level of FIG. 1;
 FIG. 5 is a bottom view of the pocket level of FIG. 1;
 FIG. 6 is left or right end view of the pocket level of FIG. 1;
 FIG. 7 is a perspective view of the pocket level of FIG. 1 with its line level disassembled therefrom;
 FIG. 8 is a front view of the pocket level of FIG. 7;
 FIG. 9 is a rear view of the pocket level of FIG. 7;
 FIG. 10 is a top view of the pocket level of FIG. 7;
 FIG. 11 is a bottom view of the pocket level of FIG. 7;
 FIG. 12 is a left or right end view of the pocket level of FIG. 7;
 FIG. 13 is a front or rear view of the line level of FIG. 7;
 FIG. 14 is a top view of the line level of FIG. 7;
 FIG. 15 is a bottom view of the line level of FIG. 7; and,
 FIG. 16 is left or right end view of the line level of FIG. 7.

1 Claim, 7 Drawing Sheets



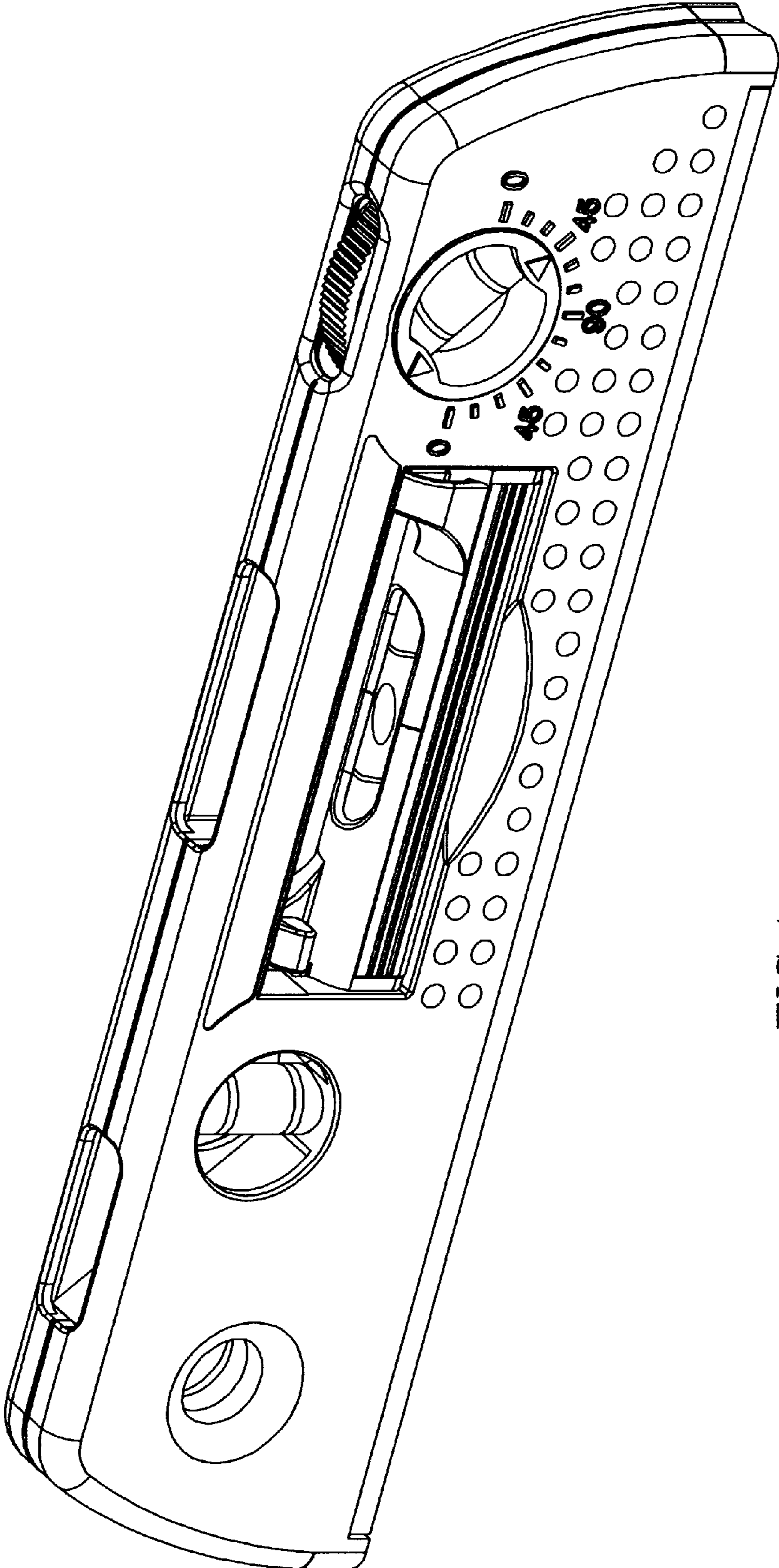


FIG.1

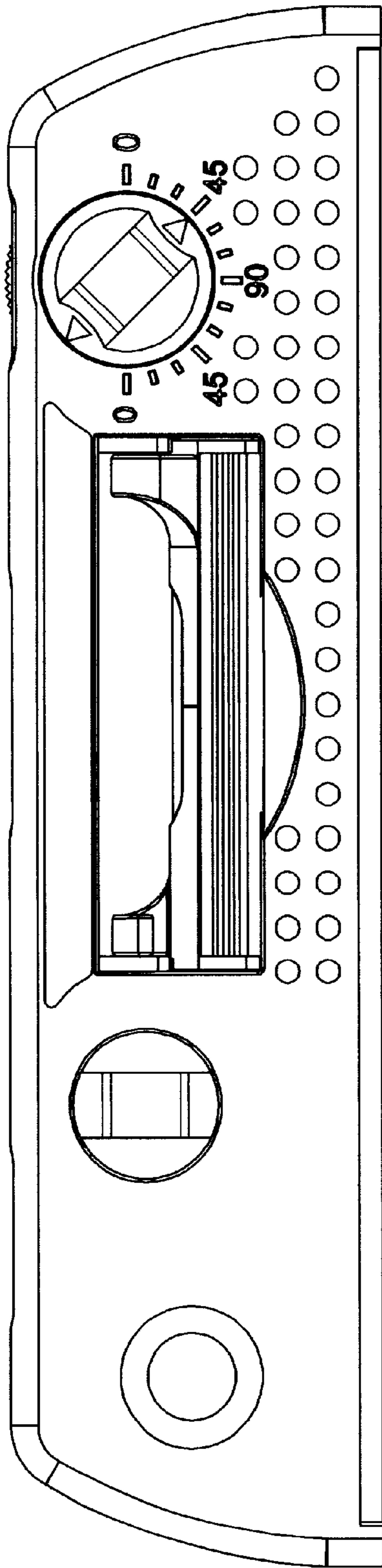


FIG. 2

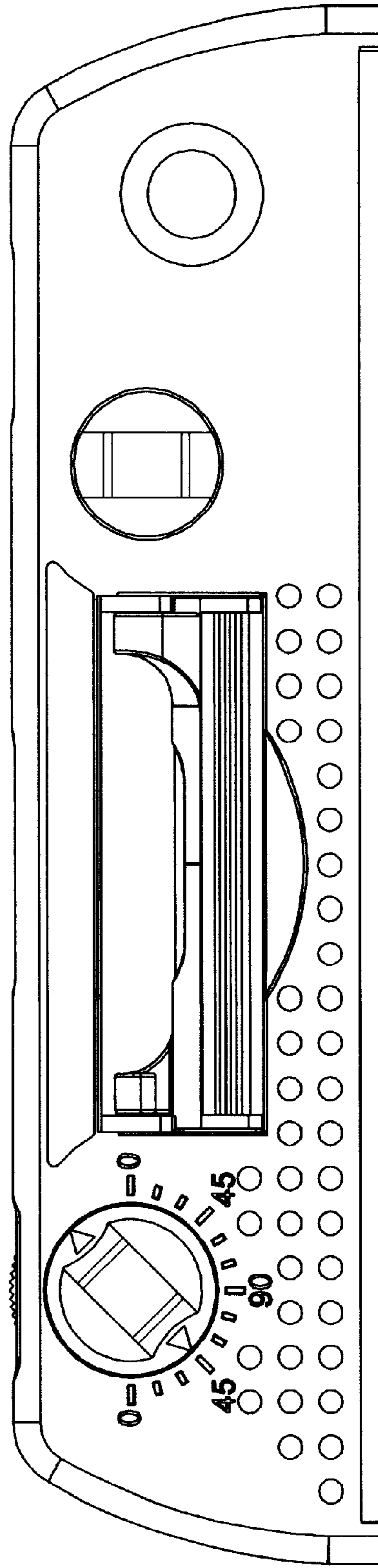


FIG. 3

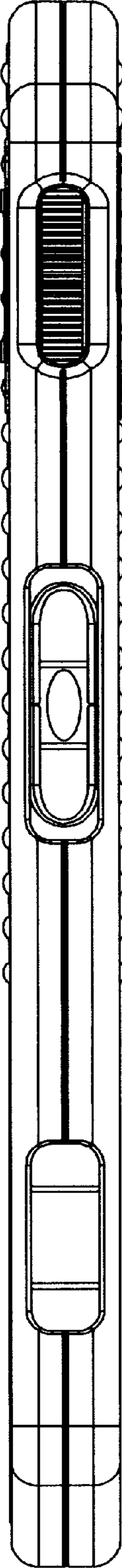


FIG. 4

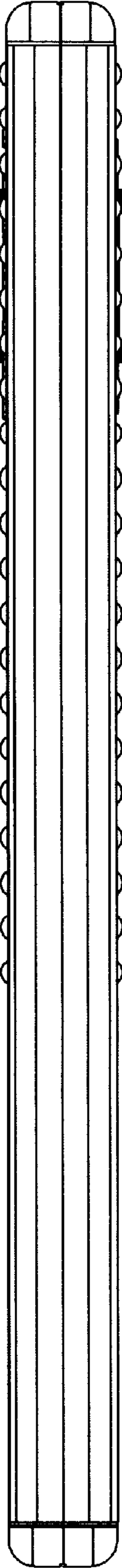


FIG. 5

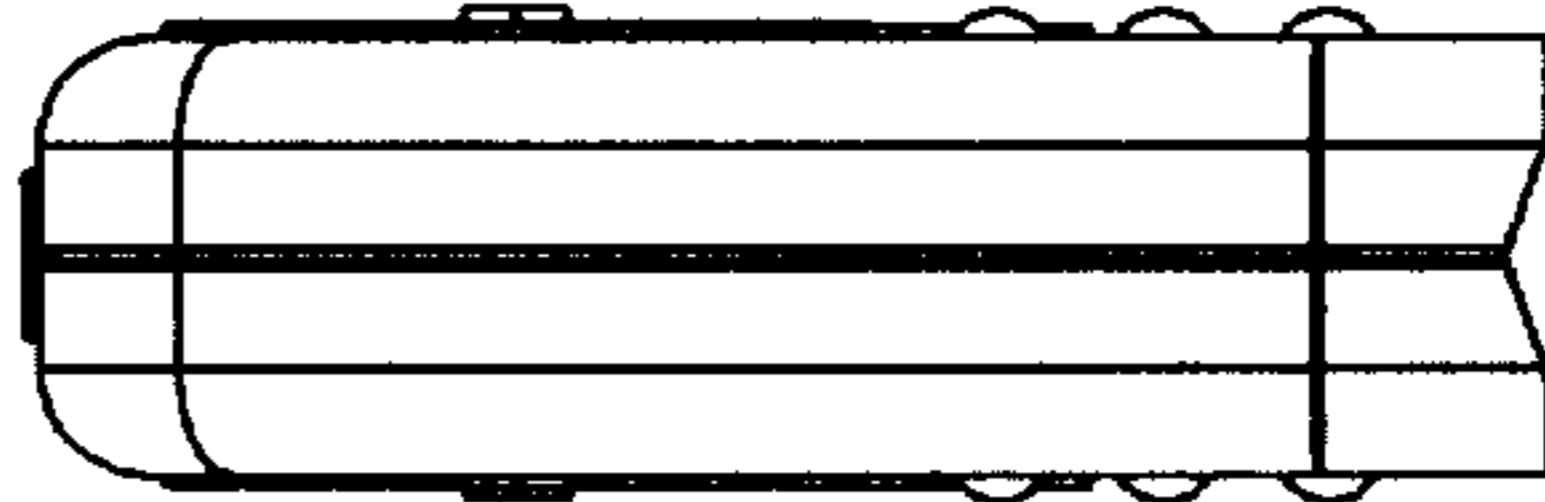


FIG. 6

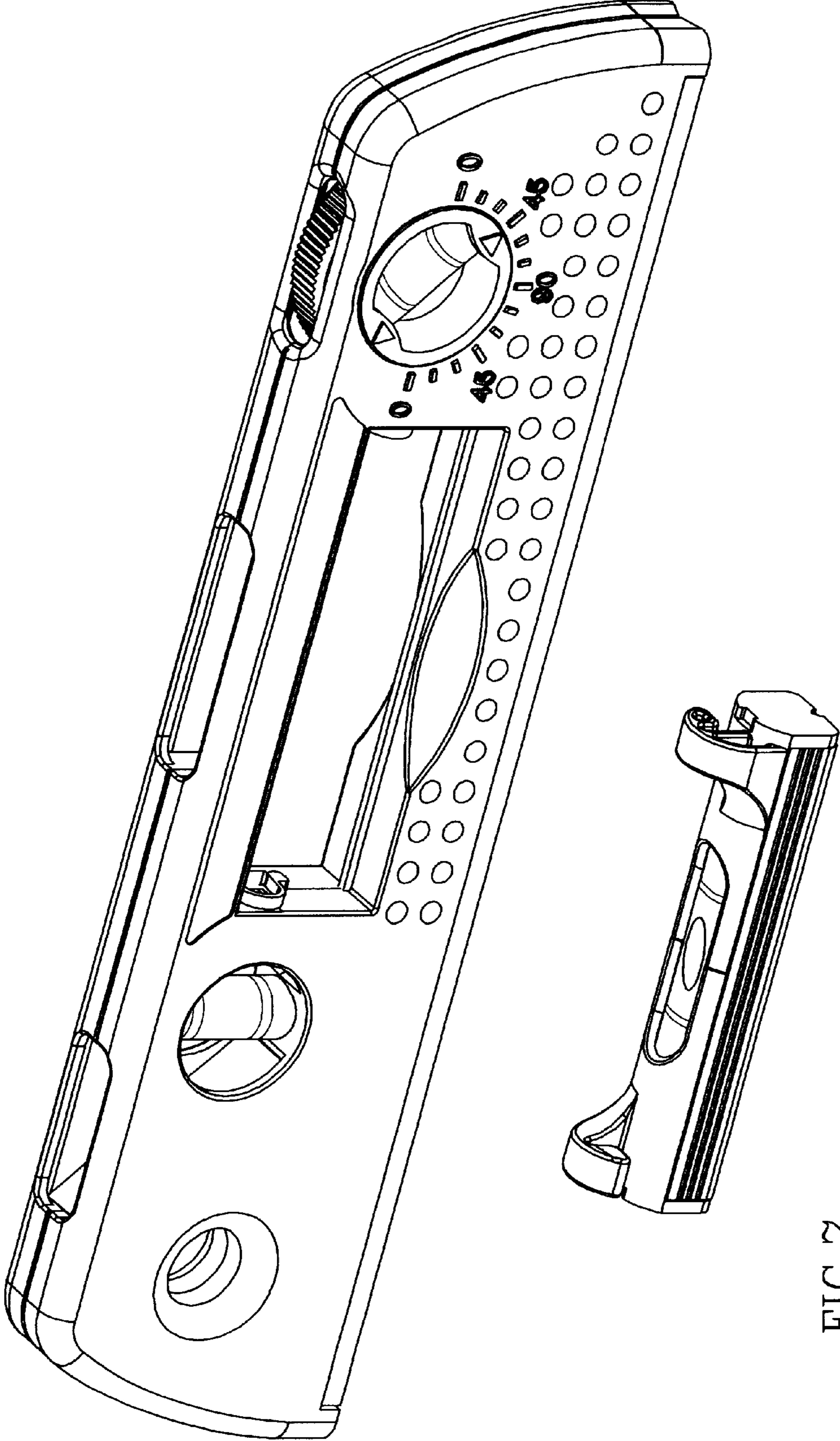


FIG. 7

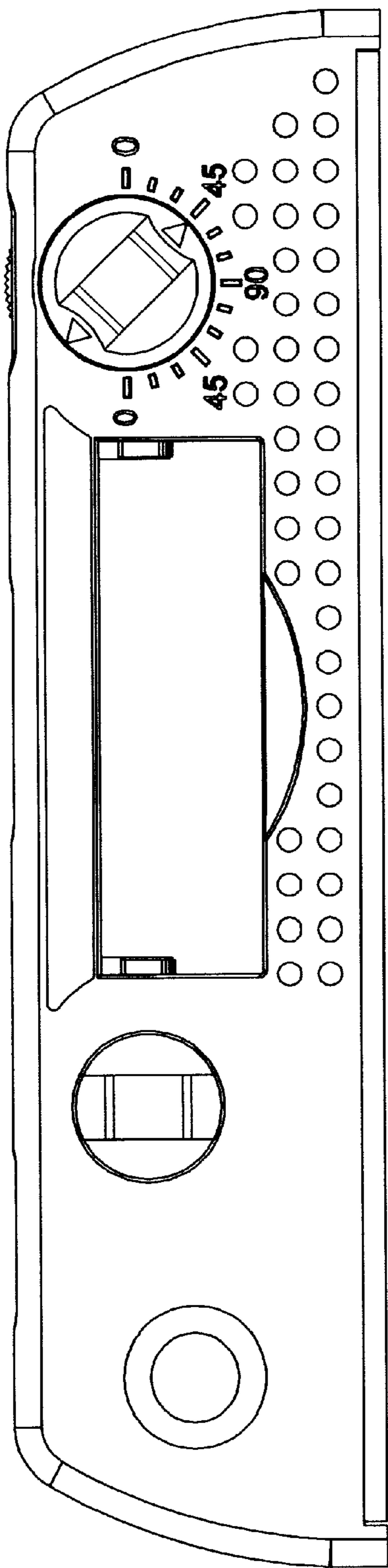


FIG. 8

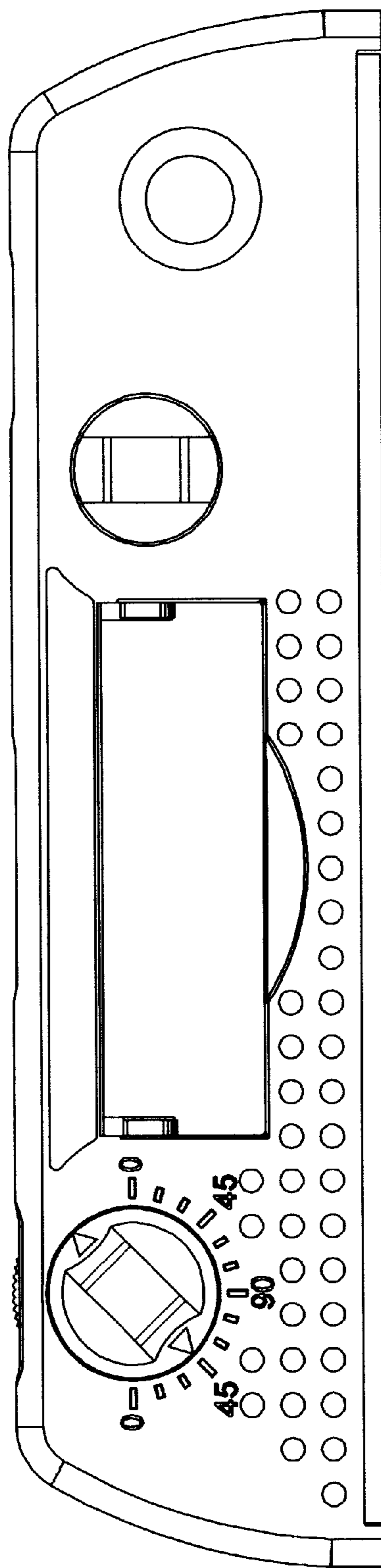


FIG. 9

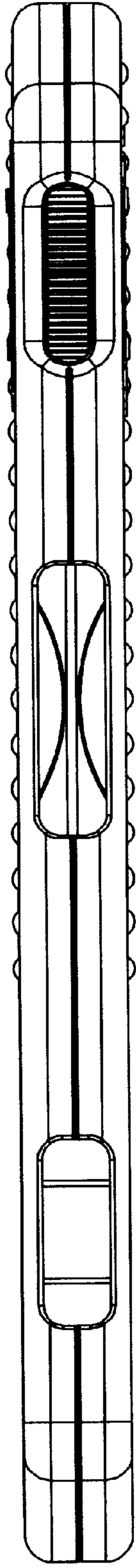


FIG. 10

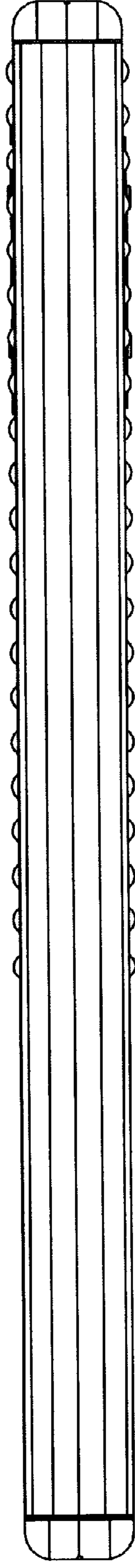


FIG. 11

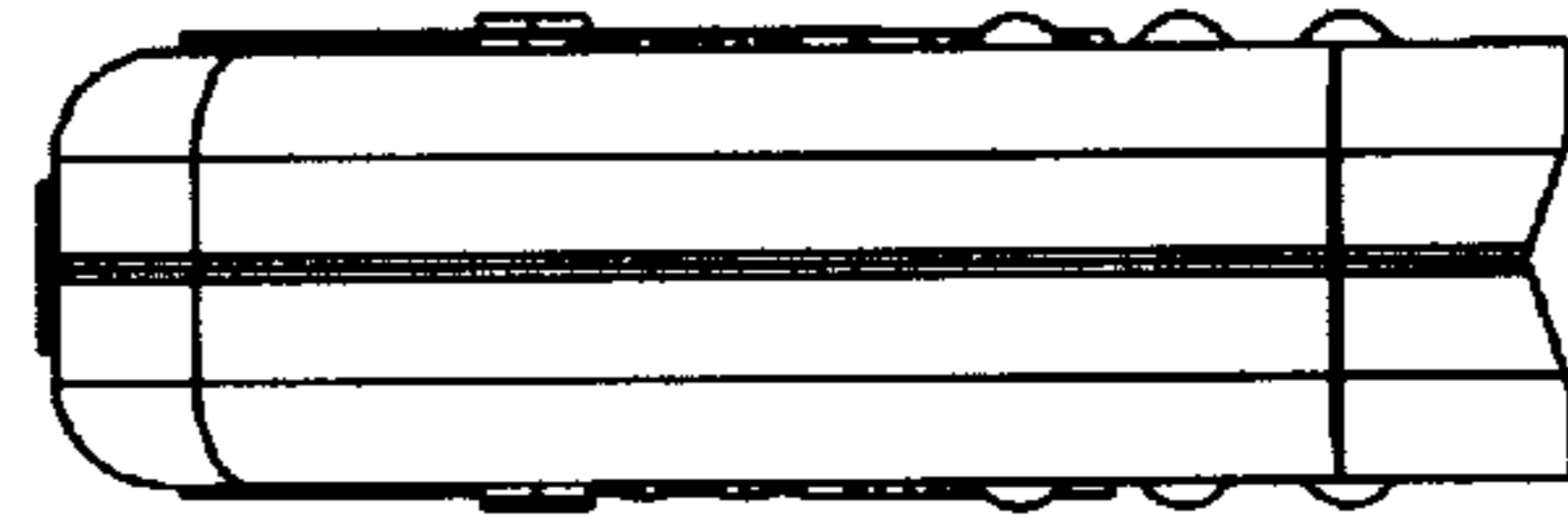


FIG. 12

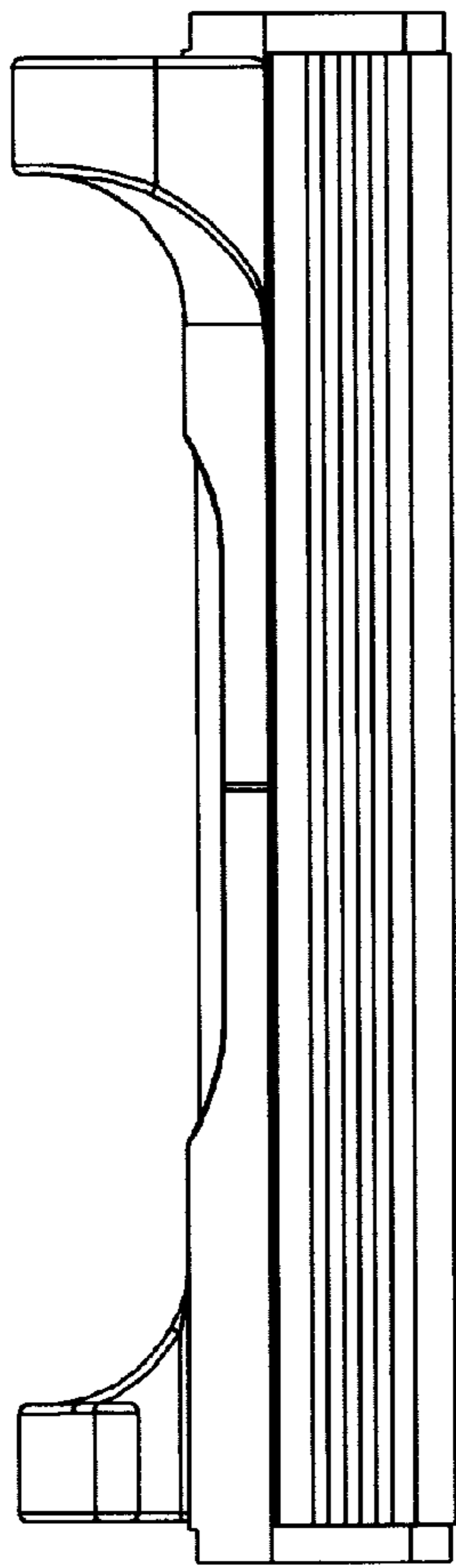


FIG. 13

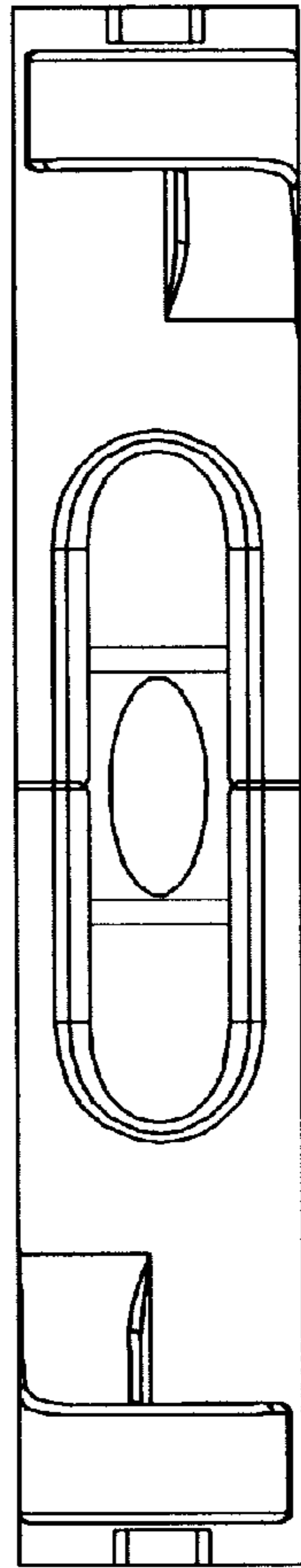


FIG. 14

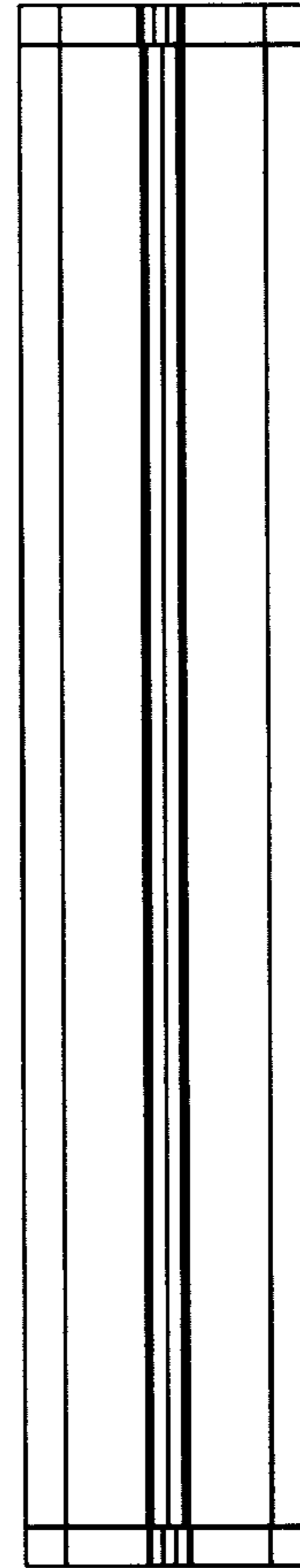


FIG. 15

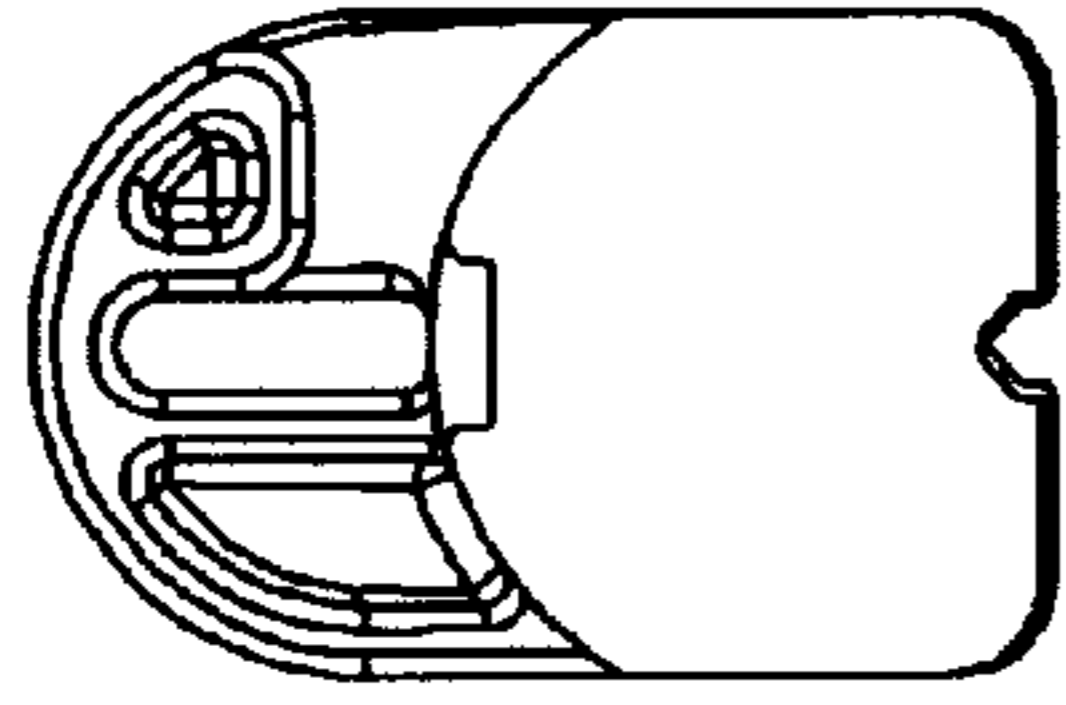


FIG. 16