

US00D498678S

(12) **United States Design Patent**
Ames

(10) **Patent No.:** **US D498,678 S**

(45) **Date of Patent:** **** Nov. 23, 2004**

(54) **CONTAINER**

(75) **Inventor:** **David Ames, Romansleigh (GB)**

(73) **Assignee:** **TechPack International (FR)**

(**) **Term:** **14 Years**

(21) **Appl. No.:** **29/179,973**

(22) **Filed:** **Apr. 17, 2003**

(51) **LOC (7) Cl.** **09-01**

(52) **U.S. Cl.** **D9/529; D9/549; D28/82**

(58) **Field of Search** **D9/500-504, 516,**
D9/529, 549, 552, 558, 565, 571, 575;
D28/4, 76, 82, 91; 206/235, 581, 823; 215/215,
235-236, 244, 258, 384-388

(56) **References Cited**

U.S. PATENT DOCUMENTS

1,103,859	A	*	7/1914	Austin	220/4.21
1,470,884	A	*	10/1923	Schmid	132/300
1,671,379	A	*	5/1928	McCord	132/305
2,465,491	A	*	3/1949	Storch	132/307
D193,219	S	*	7/1962	Burdick et al.	D9/503
D198,512	S	*	6/1964	Burdick et al.	D9/503

D303,584	S	*	9/1989	Bakic	D9/504 X
D401,017	S	*	11/1998	Thorpe	D28/78
D403,470	S	*	12/1998	Litton et al.	D28/82
D420,172	S	*	2/2000	Thorpe	D28/82
D423,724	S	*	4/2000	Crosta	D28/78
D436,233	S	*	1/2001	Faillant-Dumas	D28/91
D476,572	S	*	7/2003	Merritt	D9/504

* cited by examiner

Primary Examiner—Carol Rademaker

(74) *Attorney, Agent, or Firm*—Cantor Colburn LLP

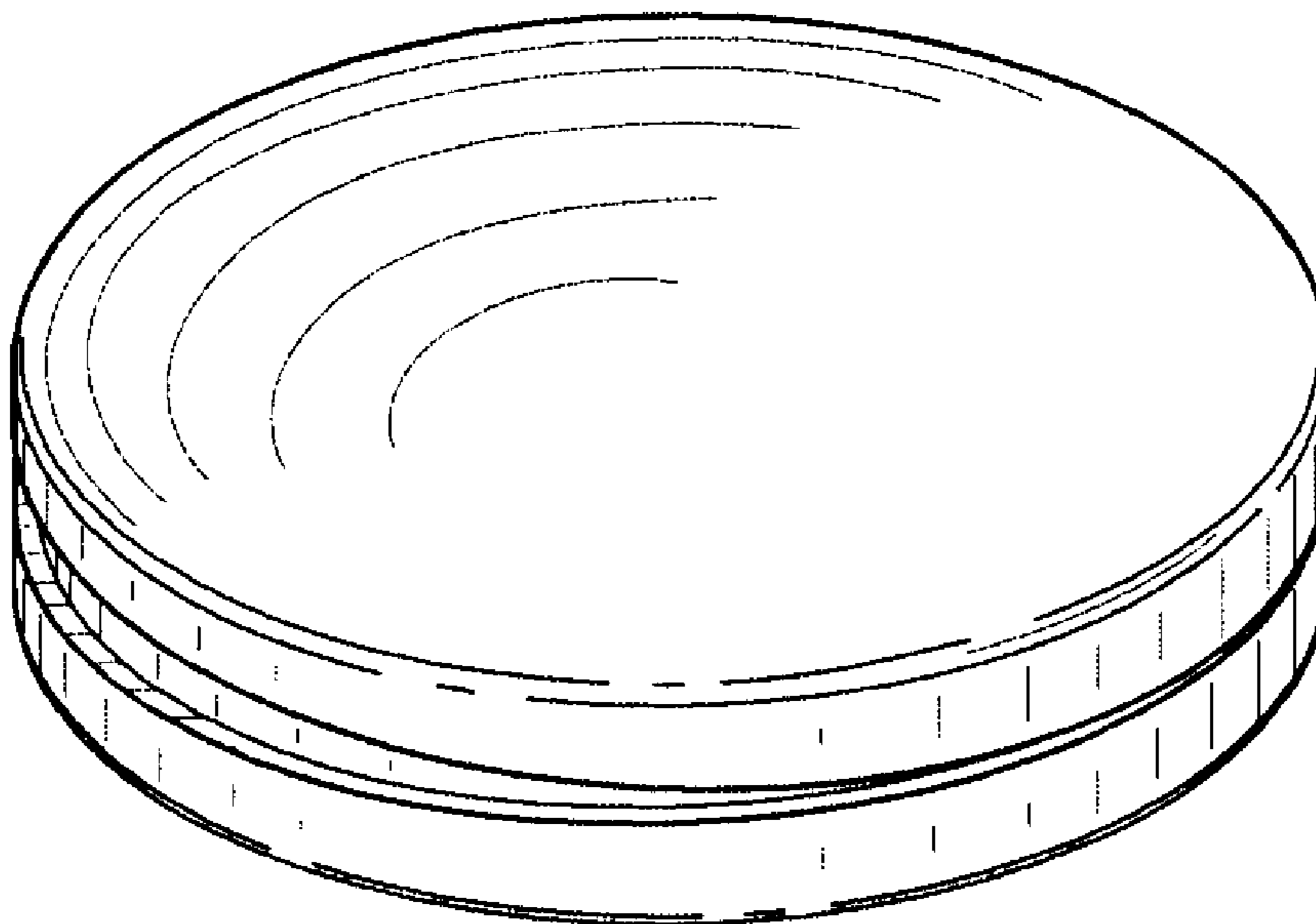
(57) **CLAIM**

The ornamental design for a container, as shown and described.

DESCRIPTION

FIG. 1 is a top, front, and right side perspective view of a container, showing my new design;
FIG. 2 is a top plan view thereof;
FIG. 3 is a bottom plan view thereof;
FIG. 4 is a front elevational view thereof
FIG. 5 is a right side elevational view thereof;
FIG. 6 is a rear elevational view thereof; and,
FIG. 7 is a left side elevational view thereof.

1 Claim, 1 Drawing Sheet



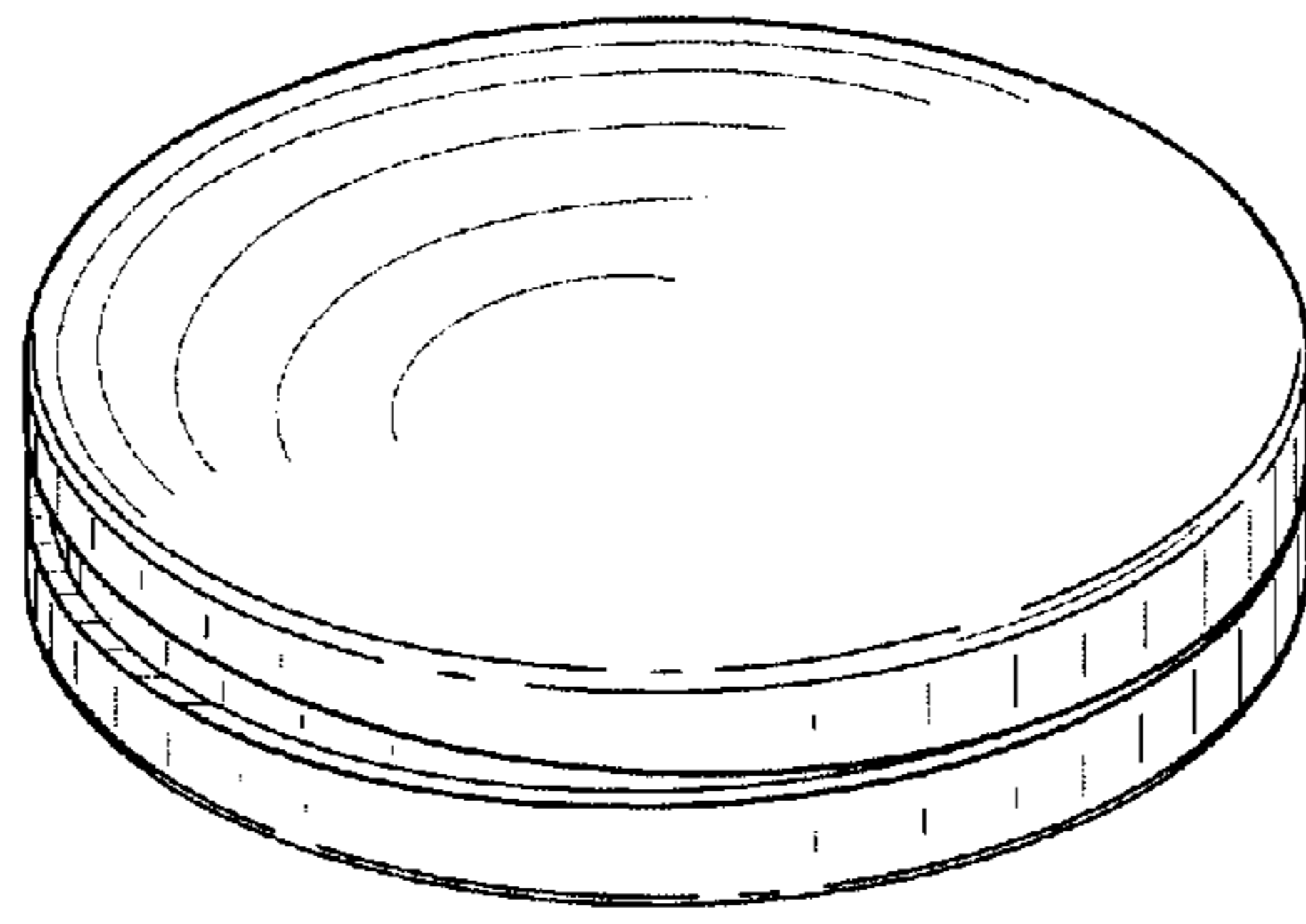


FIG. 1

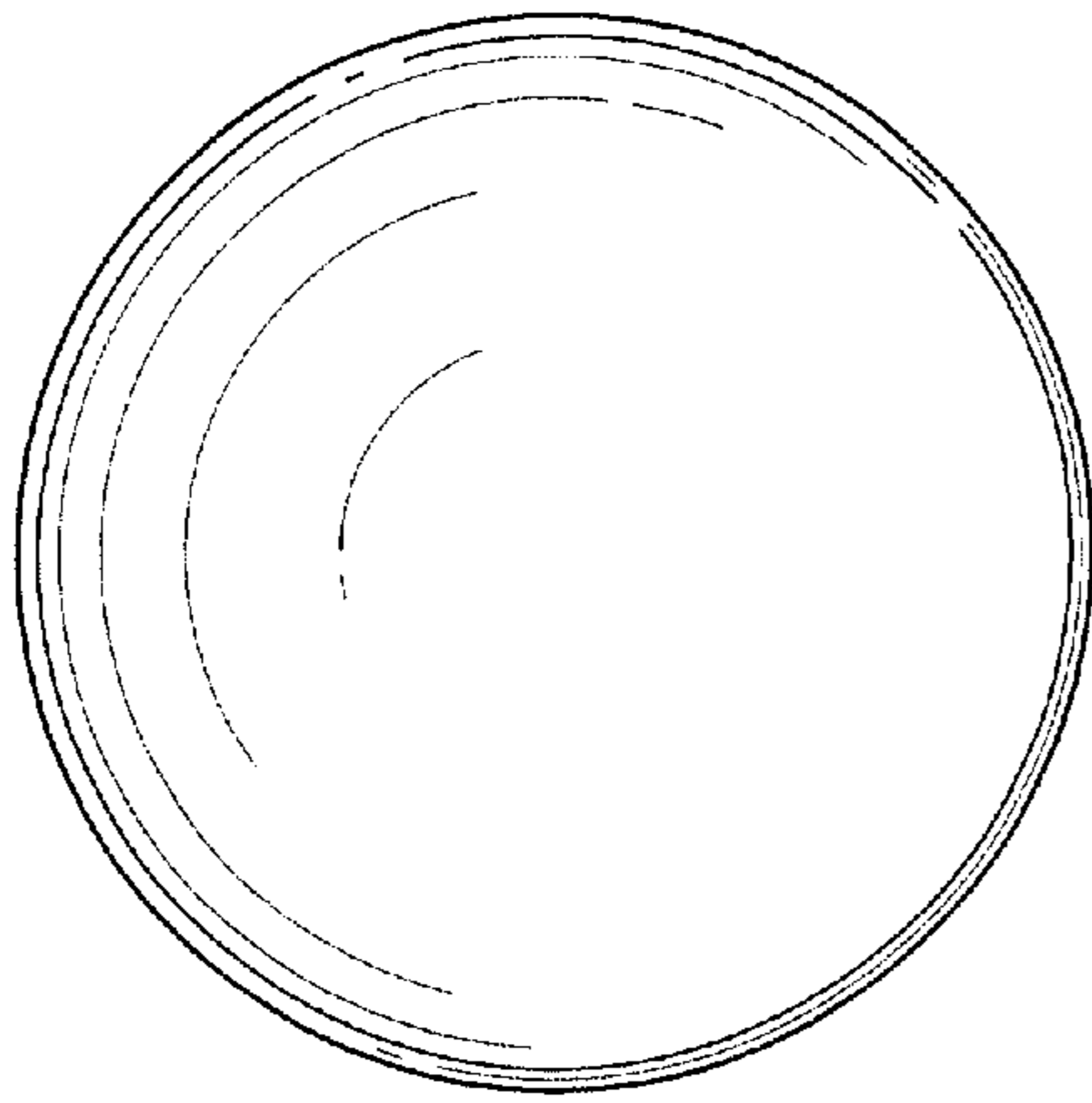


FIG. 2



FIG. 3

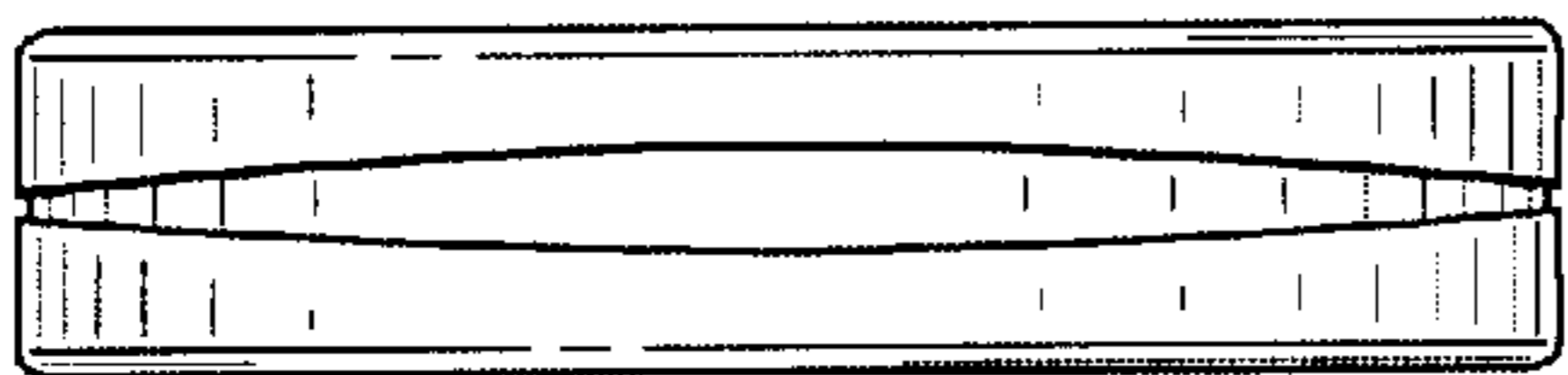


FIG. 4

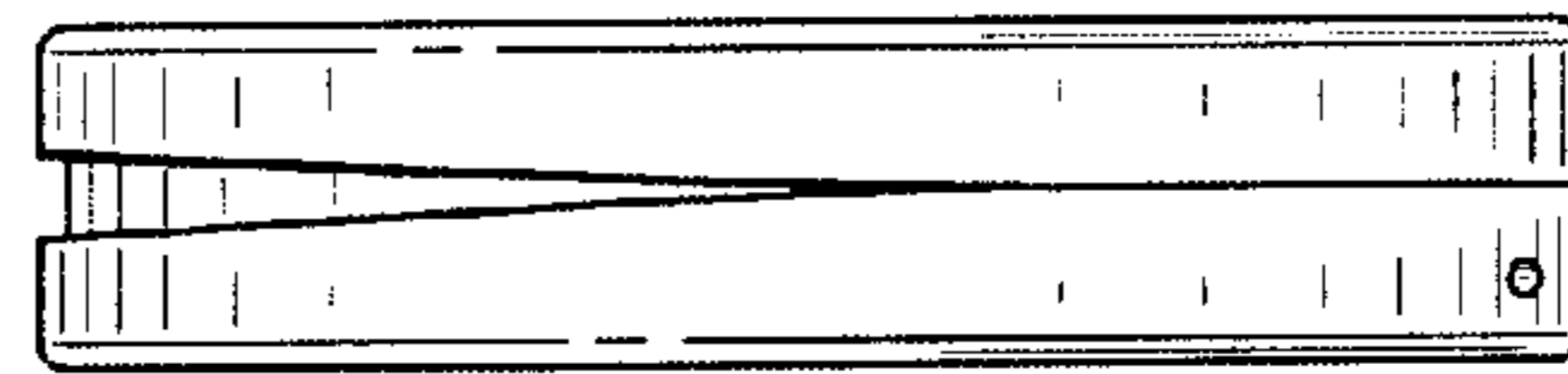


FIG. 5

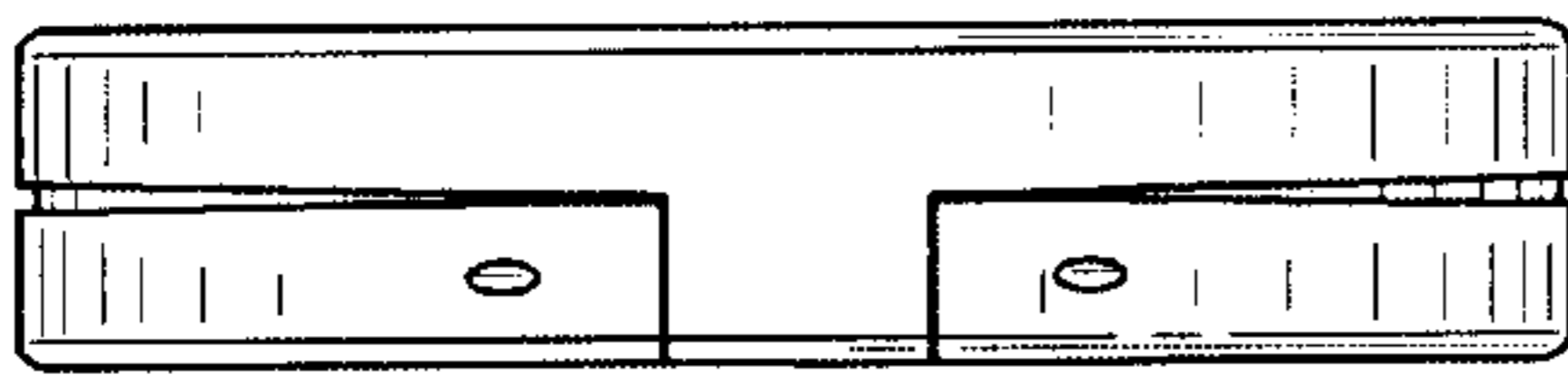


FIG. 6

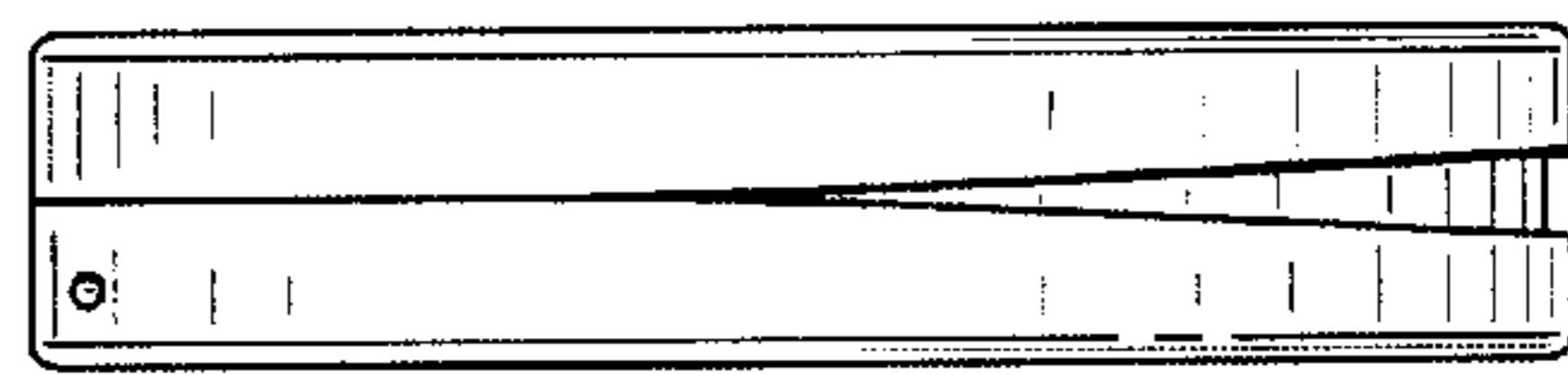


FIG. 7

UNITED STATES PATENT AND TRADEMARK OFFICE
CERTIFICATE OF CORRECTION

PATENT NO. : Des. 498,678 S
DATED : November 23, 2004
INVENTOR(S) : David Ames

Page 1 of 1

It is certified that error appears in the above-identified patent and that said Letters Patent is hereby corrected as shown below:

Title page,

Insert Item -- [30] **Foreign Application Priority Data**
Oct. 17, 2002 (FR)02-6305 --

Signed and Sealed this

Fifteenth Day of February, 2005

A handwritten signature in black ink on a dotted background. The signature reads "Jon W. Dudas" in a cursive style.

JON W. DUDAS

Director of the United States Patent and Trademark Office