

US00D498673S

(12) **United States Design Patent** (10) **Patent No.:** **US D498,673 S**  
**Weiss** (45) **Date of Patent:** **\*\* Nov. 23, 2004**

(54) **PACKAGING CONTAINER**  
(75) **Inventor:** **David Weiss, Toronto (CA)**  
(73) **Assignee:** **673367 Ontario Ltd., Toronto (CA)**  
(\*\*) **Term:** **14 Years**

D364,804 S \* 12/1995 Pedersen-Rask ..... D9/418  
D367,226 S \* 2/1996 Ransbottom ..... D9/418  
6,047,833 A \* 4/2000 Salomon ..... 206/765  
D485,174 S \* 1/2004 Amar et al. .... D9/418

\* cited by examiner

(21) **Appl. No.:** **29/190,532**  
(22) **Filed:** **Sep. 23, 2003**

*Primary Examiner*—Prabhakar Deshmukh  
(74) *Attorney, Agent, or Firm*—Dimock Stratton LLP;  
Mark B. Eisen

(30) **Foreign Application Priority Data**

Dec. 9, 2003 (CA) ..... 104256

(57) **CLAIM**

The ornamental design for a packaging container, as shown and described.

(51) **LOC (7) Cl.** ..... **09-03**  
(52) **U.S. Cl.** ..... **D9/418**  
(58) **Field of Search** ..... D9/415, 418, 428,  
D9/429, 424, 414, 430; 206/769–771, 775–778,  
216, 223, 6.1, 736, 756, 765, 457, 486,  
490; 229/162.1

**DESCRIPTION**

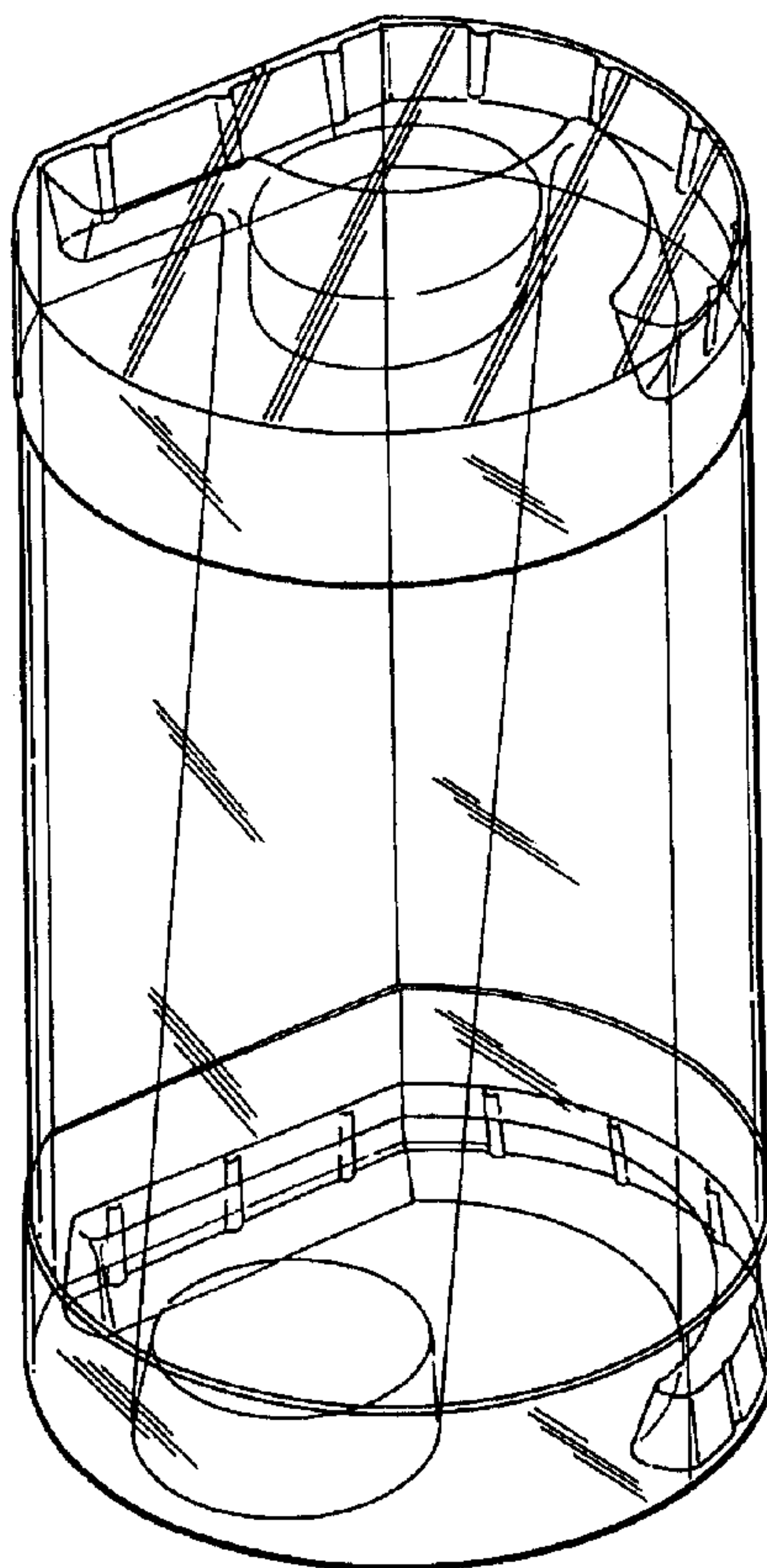
FIG. 1 is a perspective view of the packaging container.  
FIG. 2 is an elevational view of the packaging container.  
FIG. 3 is an elevational view of the packaging container taken opposite FIG. 2.  
FIG. 4 is further elevational view of the packaging container.  
FIG. 5 is an elevational view of the packaging container taken opposite FIG. 4.  
FIG. 6 is an end plan view of the packaging container.  
FIG. 7 is an end plan view of the packaging container taken opposite FIG. 6; and,  
FIG. 8 is a perspective view of a variant of the packaging container of FIG. 1 having opaque end faces.

(56) **References Cited**

**U.S. PATENT DOCUMENTS**

D199,206 S \* 9/1964 Rose ..... D9/418  
3,406,816 A \* 10/1968 Green et al. .... 446/73  
D317,718 S \* 6/1991 Carol ..... D9/341  
5,100,052 A \* 3/1992 Vajtay ..... 229/162.4  
5,350,058 A \* 9/1994 Keough ..... 220/505  
5,377,829 A \* 1/1995 Bahl ..... 206/315.9

**1 Claim, 5 Drawing Sheets**



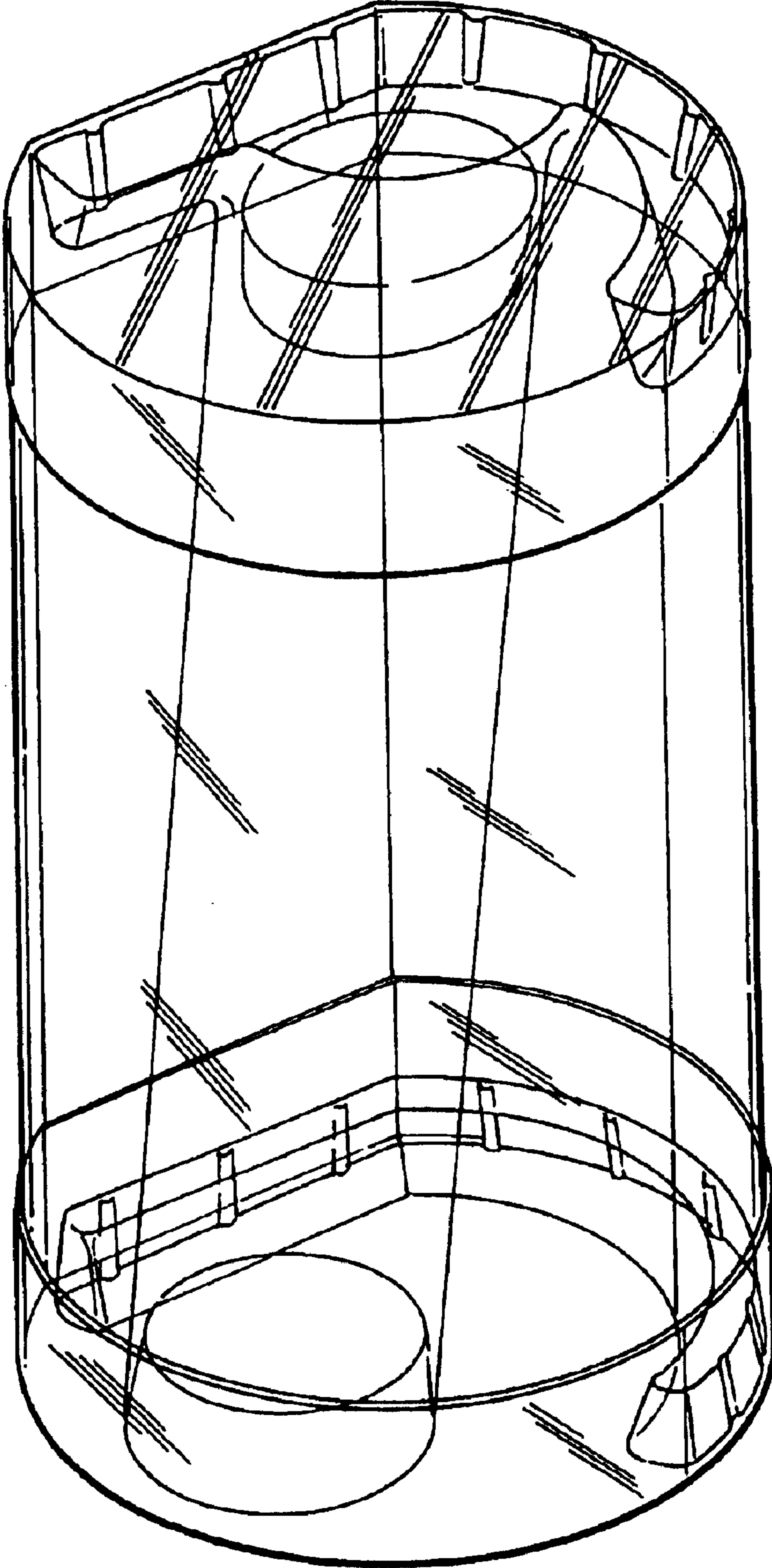


FIG. 1.

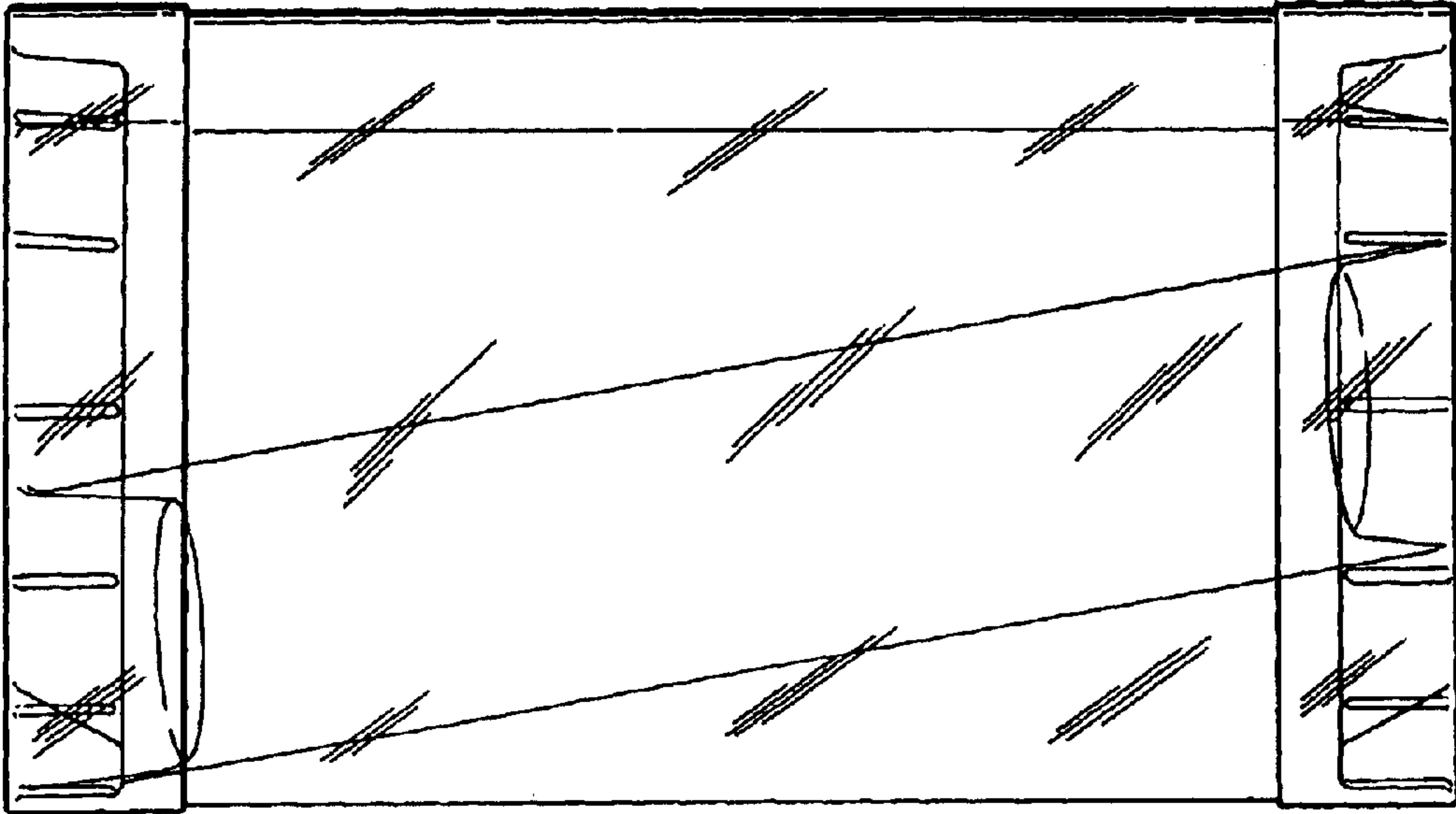


FIG. 3.

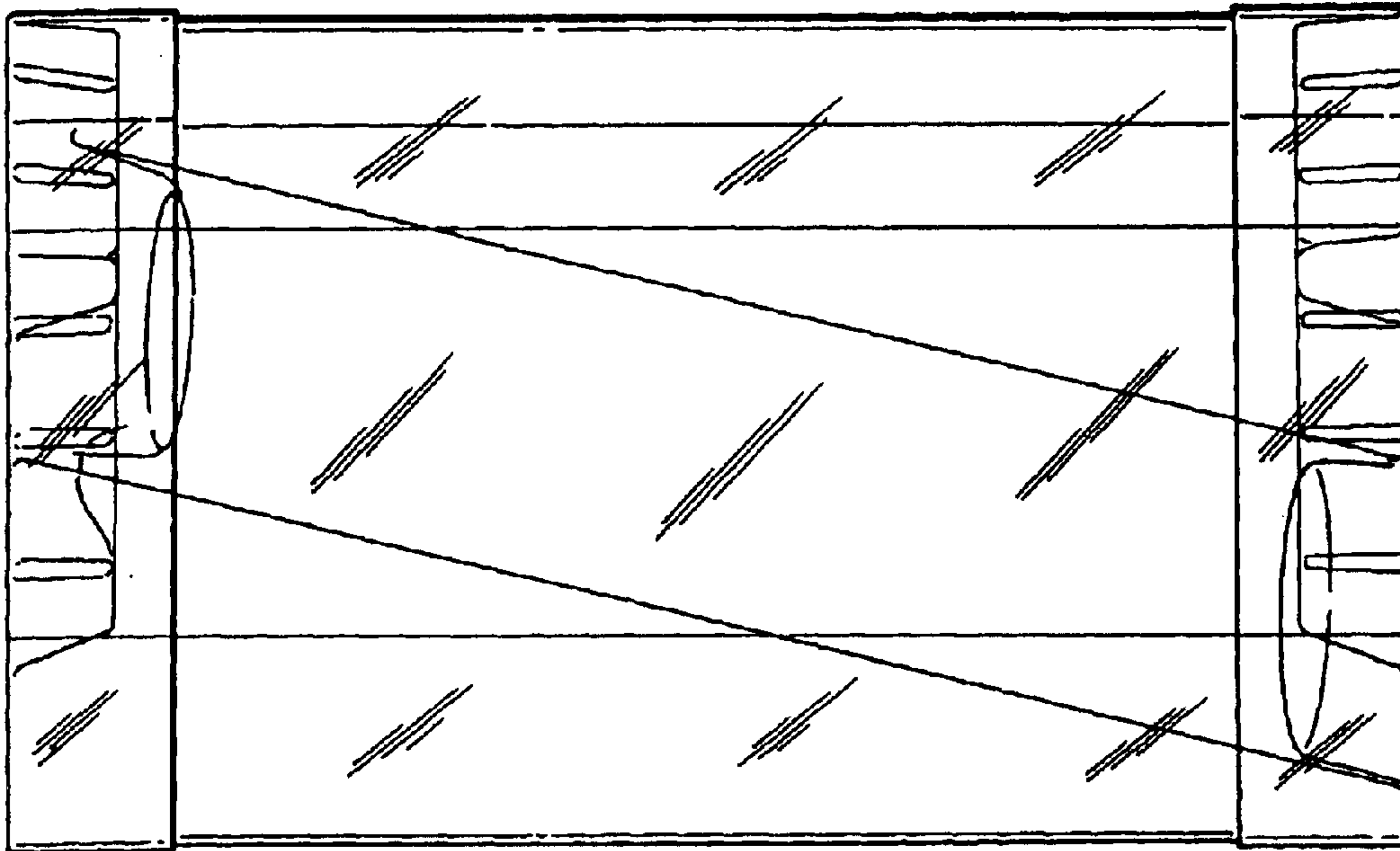


FIG. 2.

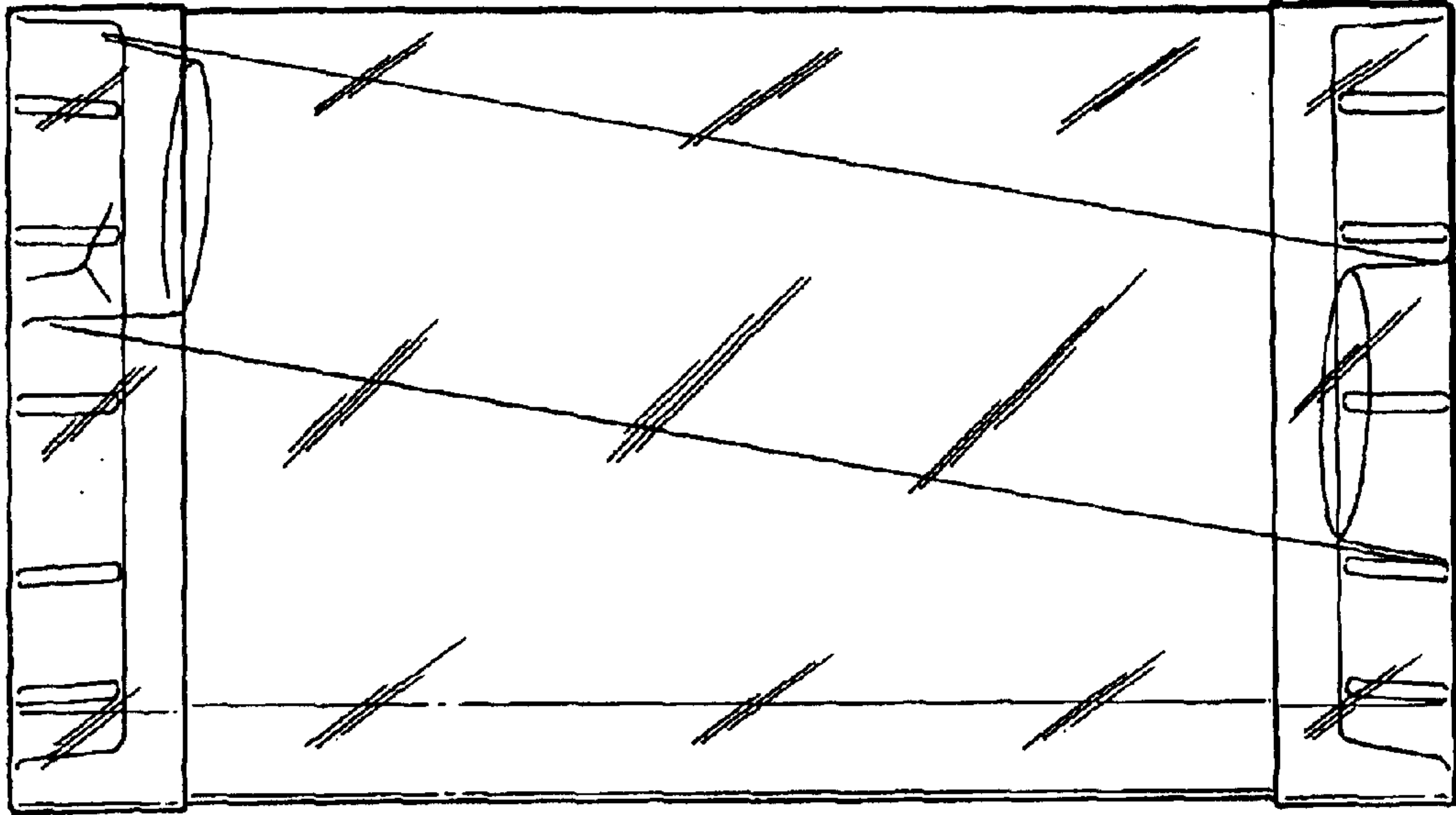


FIG. 5.

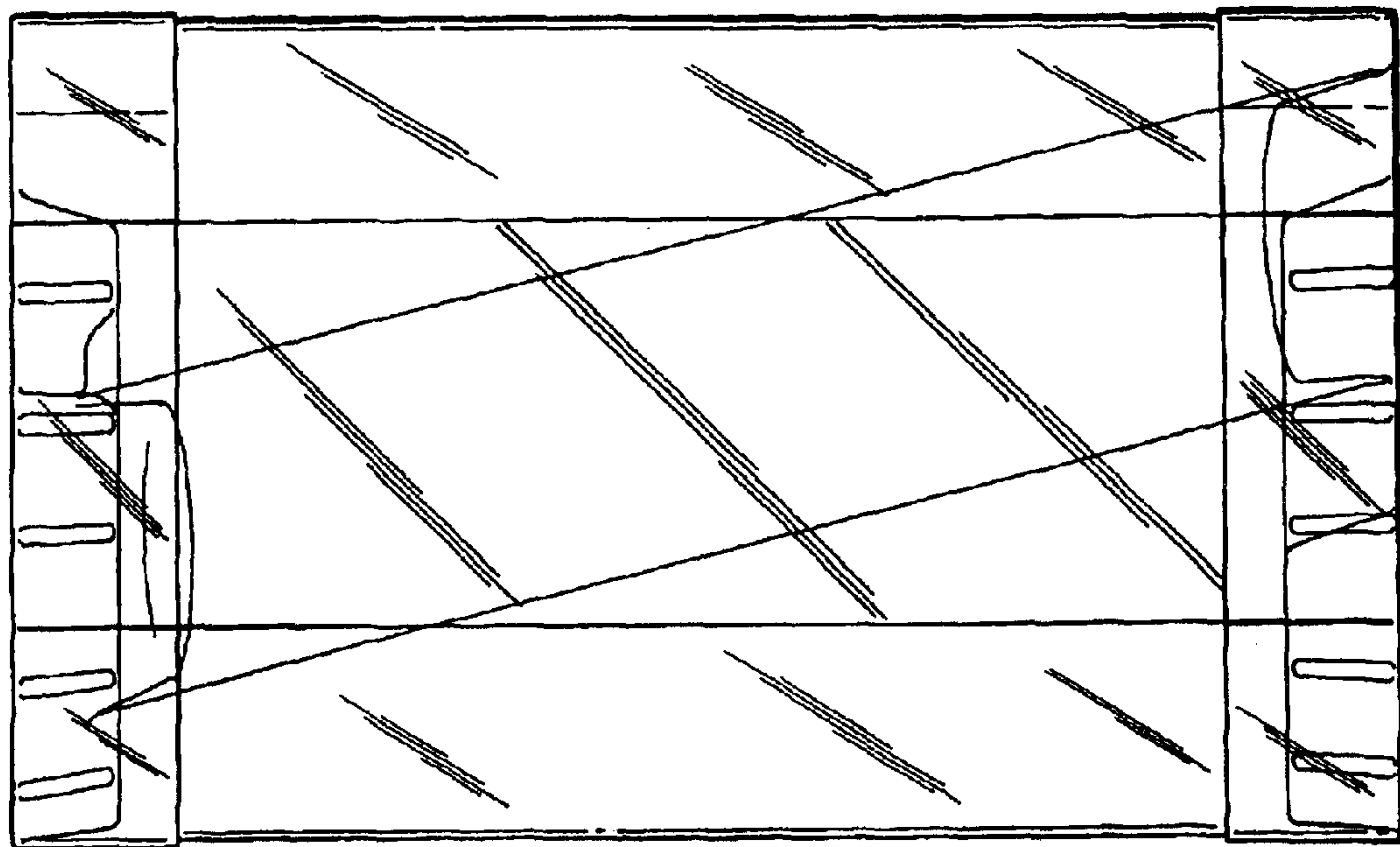


FIG. 4.



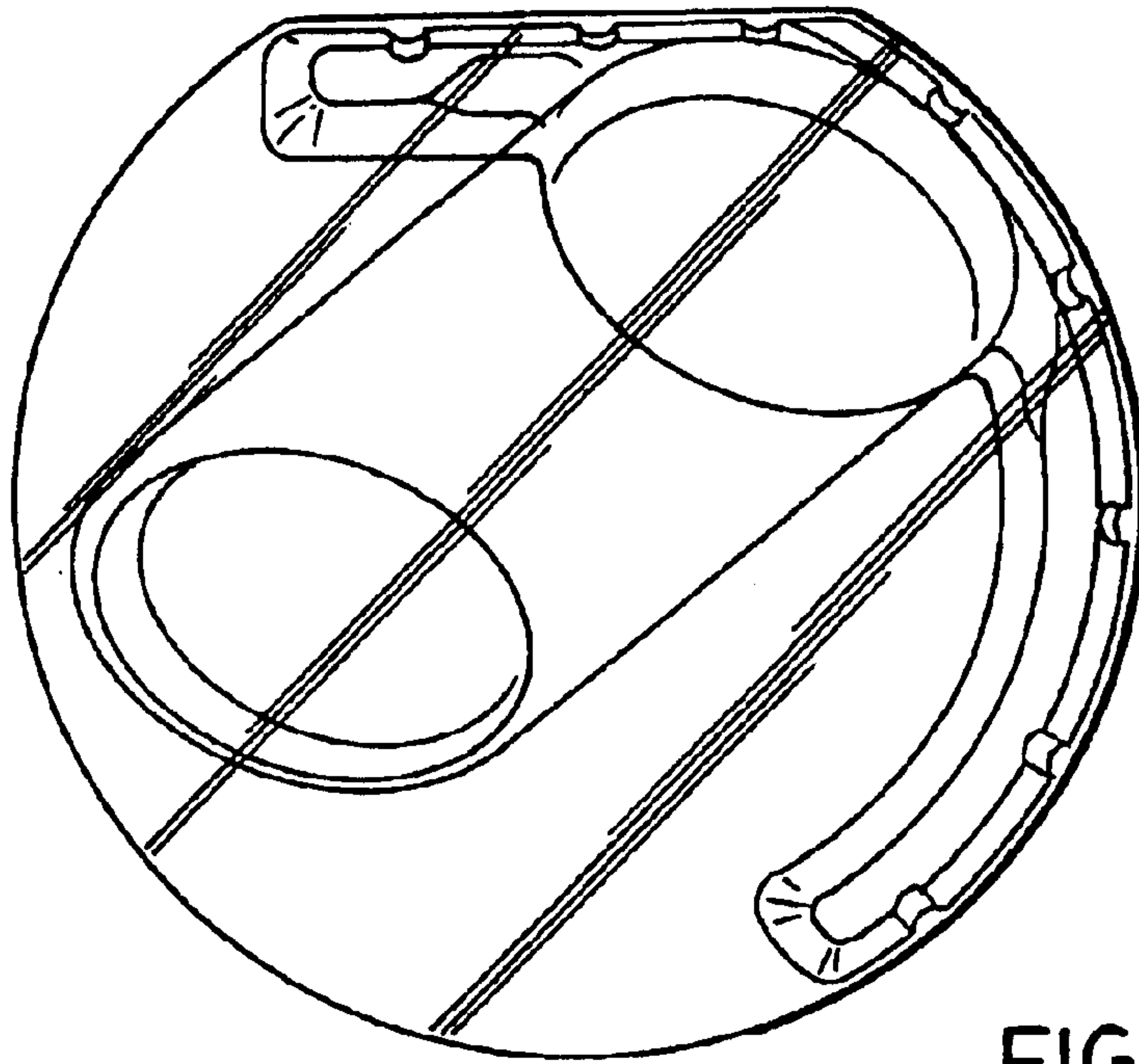


FIG. 6.

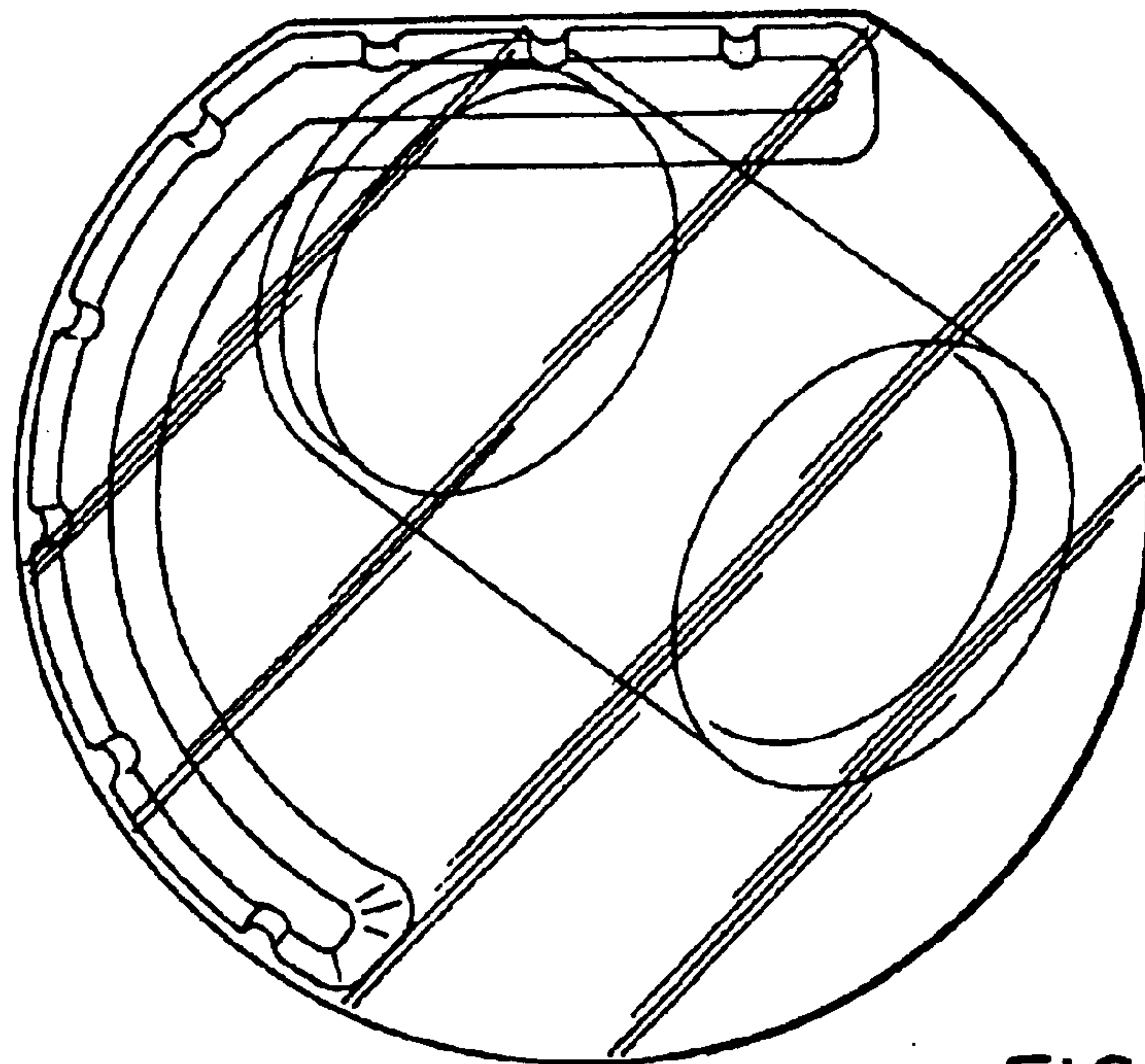


FIG. 7.

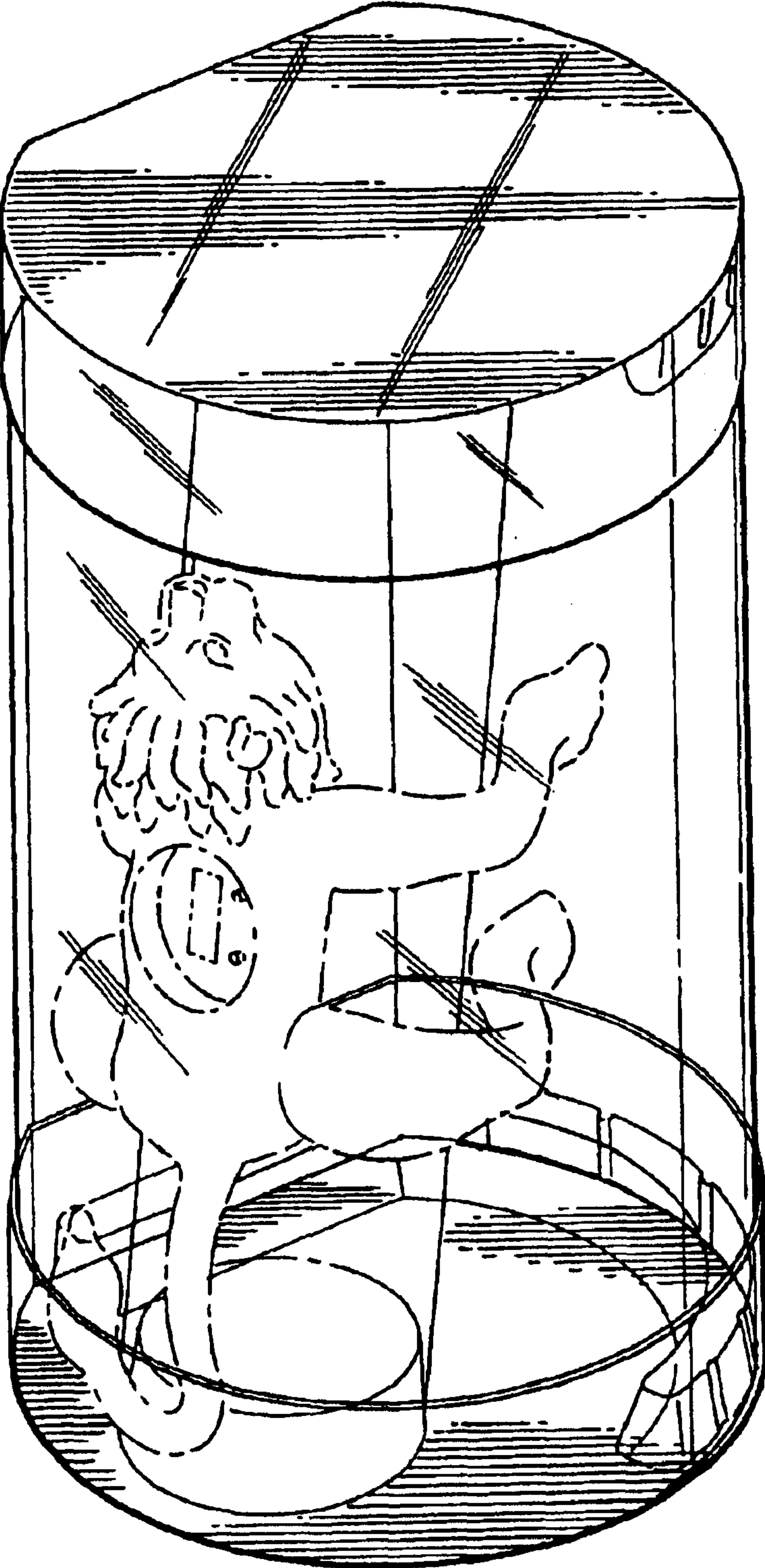


FIG. 8.