

US00D498667S

(12) **United States Design Patent** (10) **Patent No.:** **US D498,667 S**  
**Clark** (45) **Date of Patent:** **\*\* Nov. 23, 2004**

(54) **GIFT BAG WITH NAPPED FILAMENTARY EXTERIOR SURFACE**

(75) Inventor: **Elyse Clark**, Newtown, CT (US)  
 (73) Assignee: **Kool Wraps, L.L.C.**, Newton, CT (US)  
 (\*\*) Term: **14 Years**

(21) Appl. No.: **29/172,945**

(22) Filed: **Dec. 20, 2002**

(51) **LOC (7) Cl.** ..... **09-05**

(52) **U.S. Cl.** ..... **D9/305**

(58) **Field of Search** ..... D9/302, 305-306,  
 D9/303, 218, 226, 233, 319; 40/229, 308,  
 312, 324, 538, 539; 229/922, 923; 206/450,  
 457, 532, 205, 222; 222/187; 428/4; 383/6,  
 42, 71, 62, 68, 20, 111, 117, 7, 120, 127,  
 211, 116, 3, 38, 40, 75, 84, 78, 88, 93

(56) **References Cited**

**U.S. PATENT DOCUMENTS**

2,153,441 A	4/1939	Tillotson	
3,610,307 A	10/1971	Huff	
4,202,472 A	* 5/1980	Lin	..... 222/187
4,608,283 A	8/1986	White	
D305,728 S	1/1990	Tufariello	
D323,977 S	2/1992	Etro	
5,116,655 A	5/1992	Ezoe	
D350,475 S	9/1994	Cirelli	
5,441,348 A	8/1995	Valentino	
5,613,312 A	3/1997	Crowell	
5,639,523 A	6/1997	Ellis	
D417,143 S	11/1999	Irvine	
6,153,311 A	11/2000	Springer et al.	
D452,814 S	1/2002	Furuta	
D485,166 S	* 1/2004	Clark	..... D9/305

\* cited by examiner

*Primary Examiner*—Paula A. Greene  
*(74) Attorney, Agent, or Firm*—Dickstein Shapiro Morin & Oshinsky LLP

(57) **CLAIM**

The ornamental design for gift bag with napped filamentary exterior surface, as shown and described.

**DESCRIPTION**

FIG. 1 is a perspective view of a gift bag with napped filamentary exterior surface, in an open condition, showing the front and right sides and top thereof, and showing the new design;

FIG. 2 is a top plan view thereof;

FIG. 3 is a rear elevational view thereof;

FIG. 4 is a bottom plan view thereof;

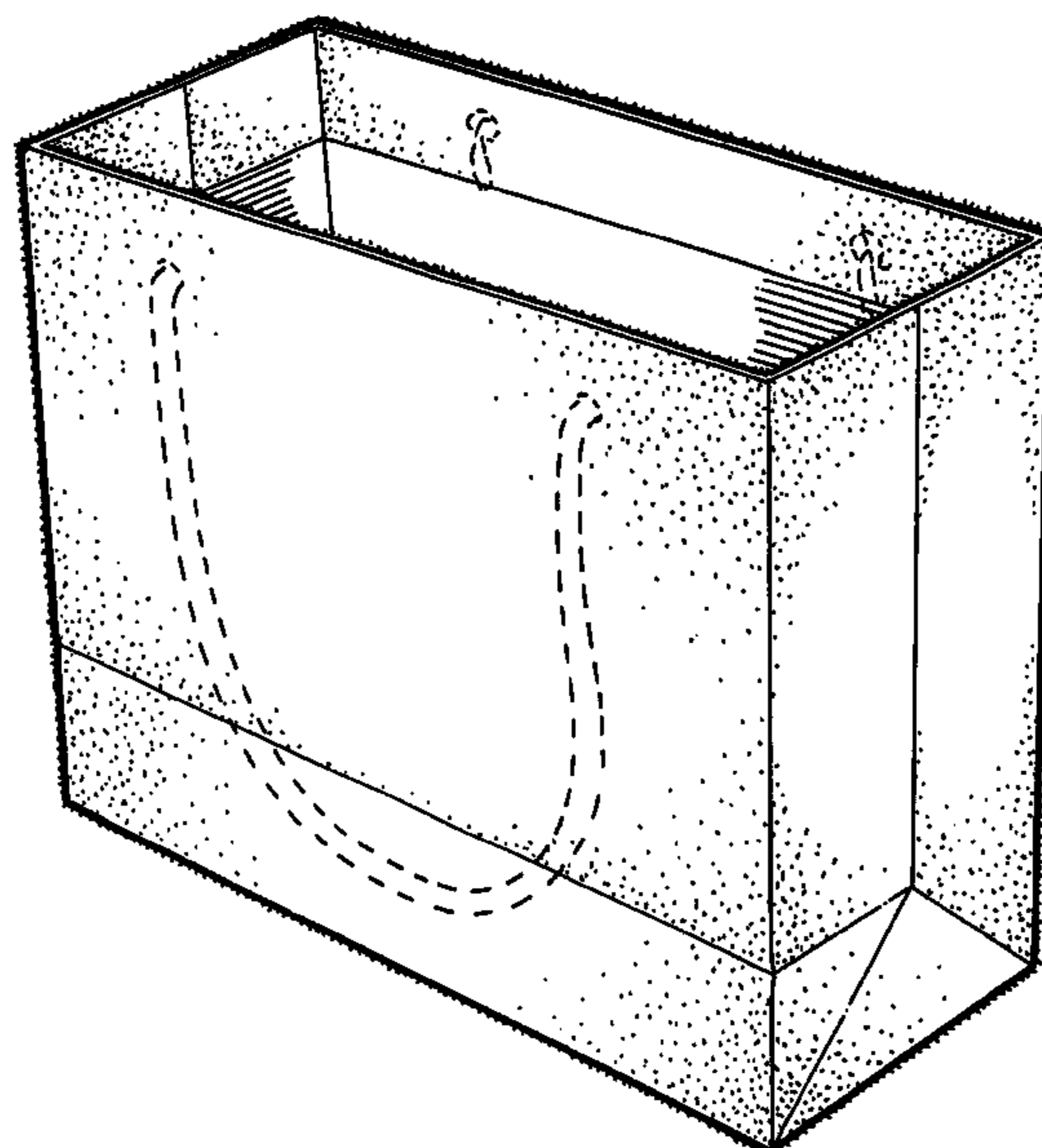
FIG. 5 is a right side elevational view thereof, where the right side is essentially the mirror image of the left side in the open condition;

FIG. 6 is a perspective view of the gift bag of FIG. 1, in a folded, collapsed condition, showing the front and left sides thereof, and showing the new design; and,

FIG. 7 is a left side elevational view of the folded, collapsed gift bag of FIG. 6, where the left side is essentially the mirror image of the right side in the folded, collapsed condition.

The flexible handles of the gift bag and eyelets for receiving the handles are shown in the drawings as dashed lines and form no part of the inventive design. The napped filamentary exterior surface has a soft pile that resembles artificial animal fur. The characteristic feature of the design resides in the appearance of the gift bag as shown, including the appearance of the napped filamentary material uniformly covering the entire exterior surface of the gift bag and extending over the top edge to cover an upper portion of the interior surface of the gift bag.

**1 Claim, 4 Drawing Sheets**



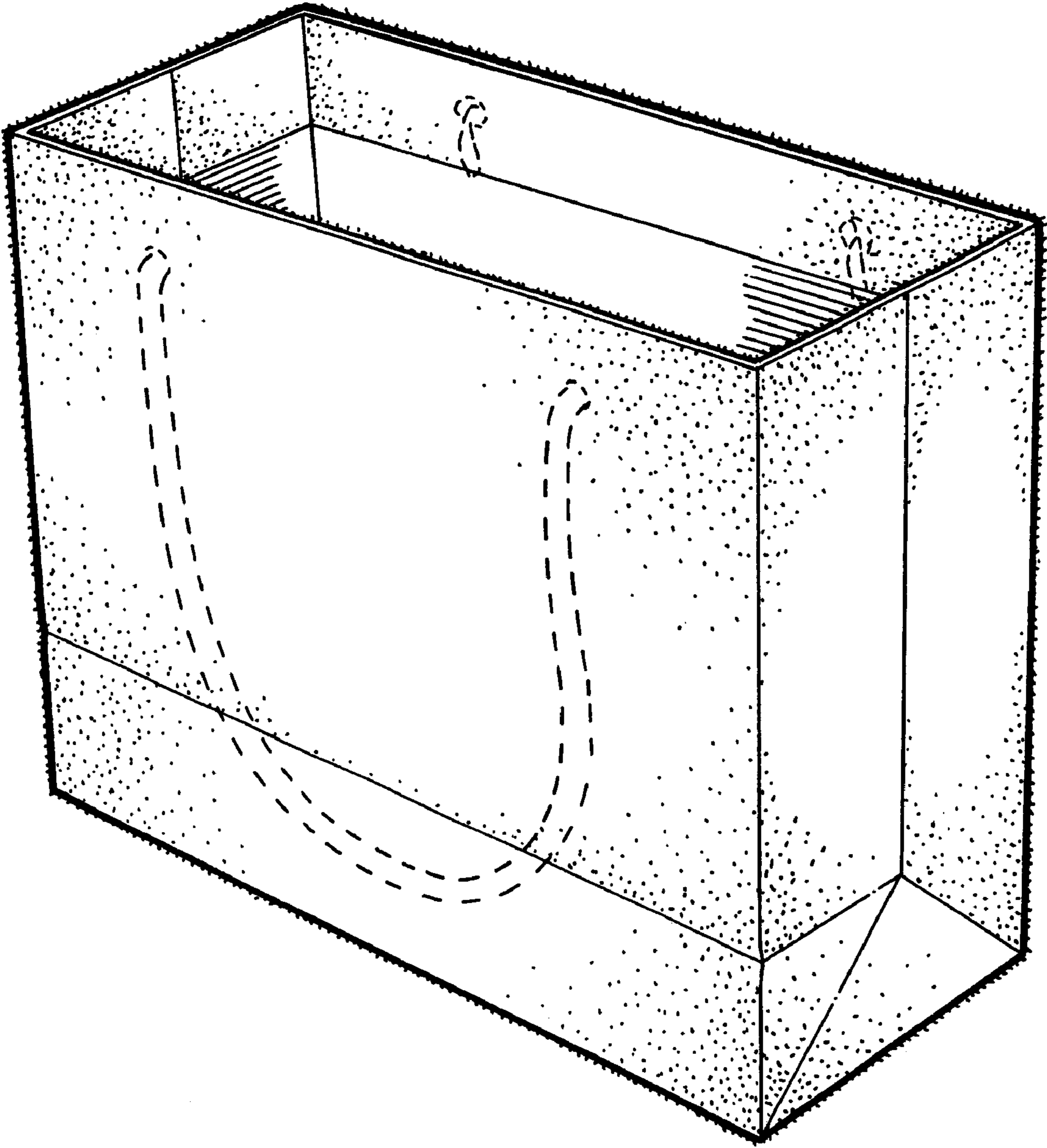


FIG. 1

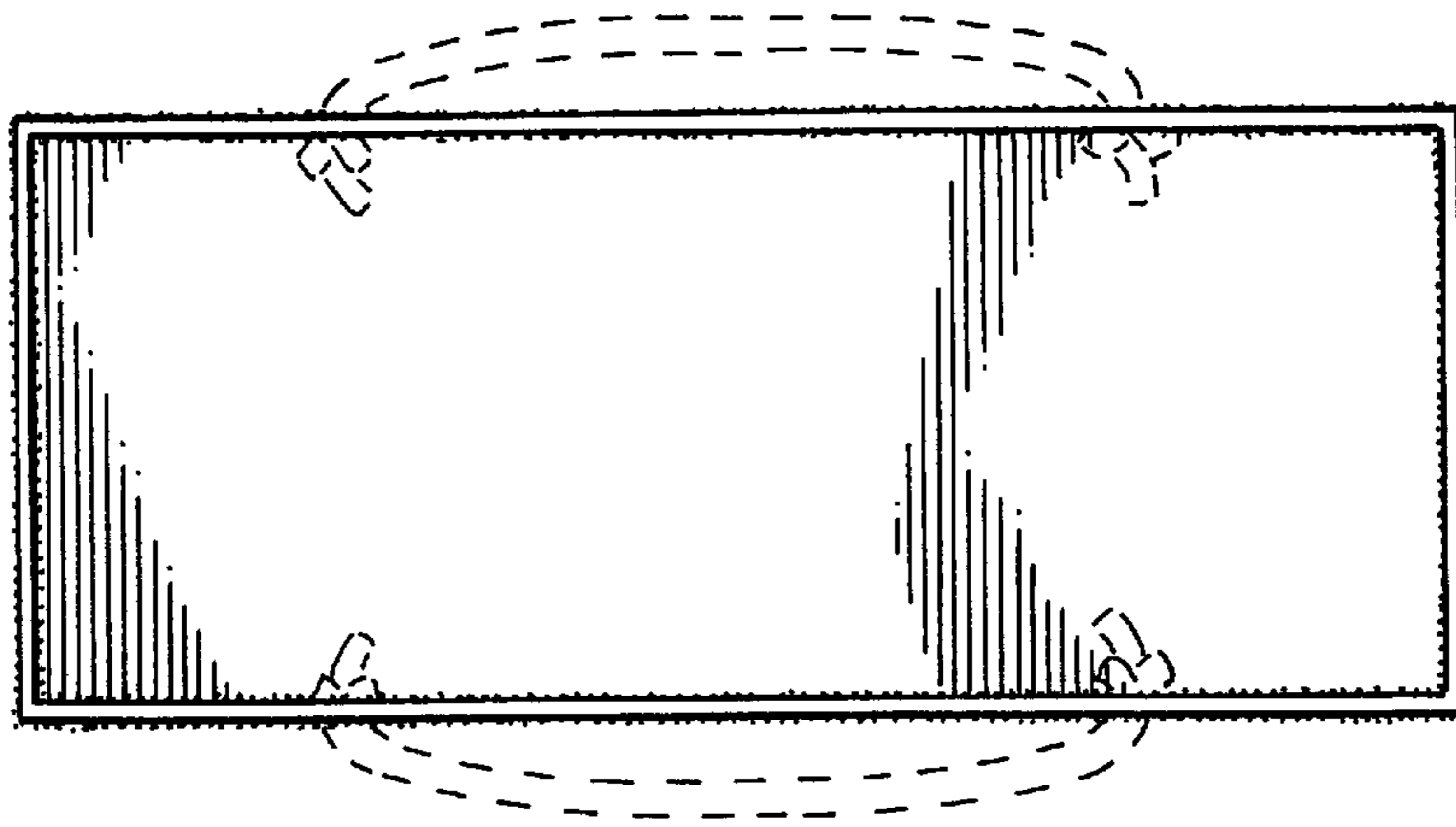


FIG. 2

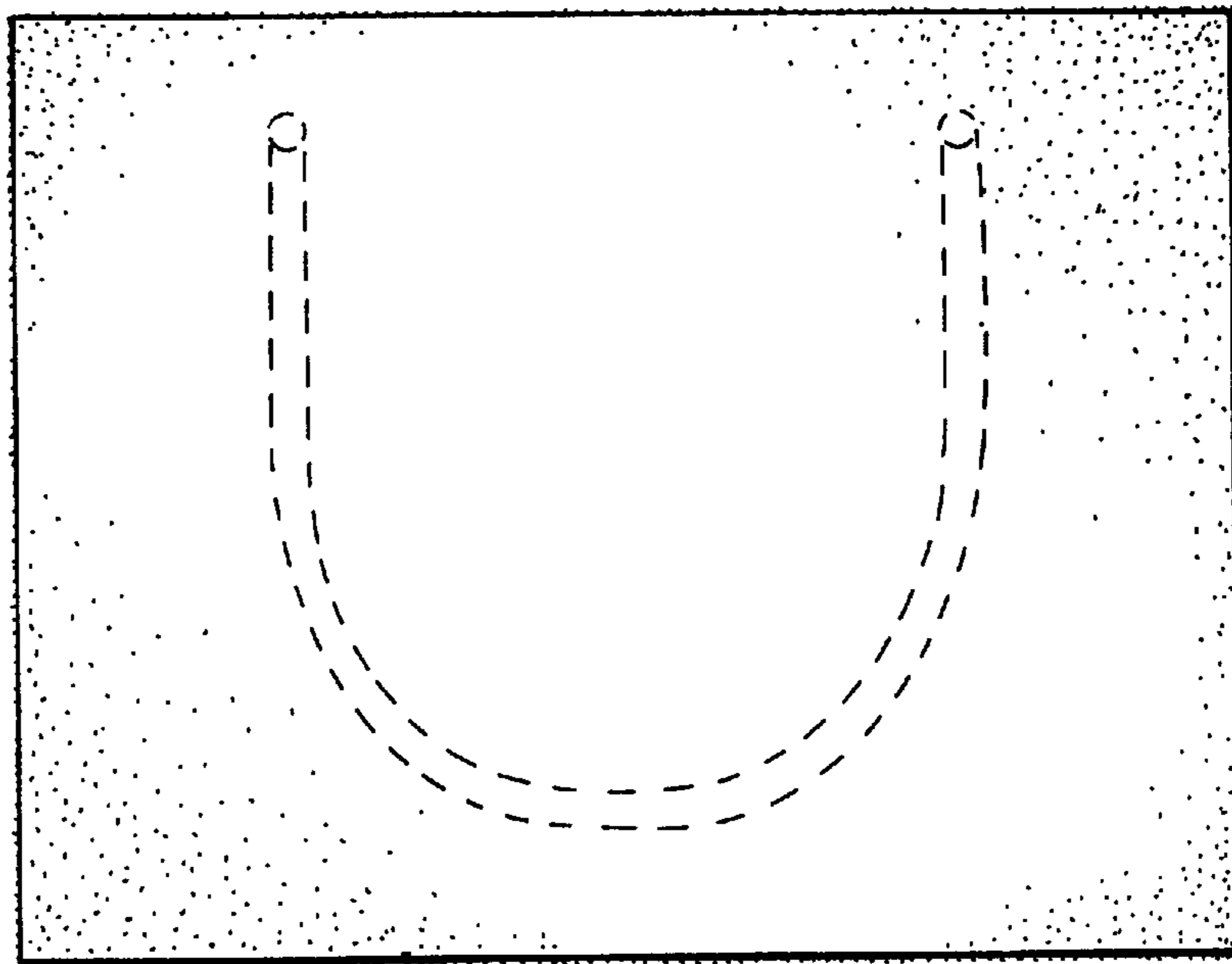


FIG. 3

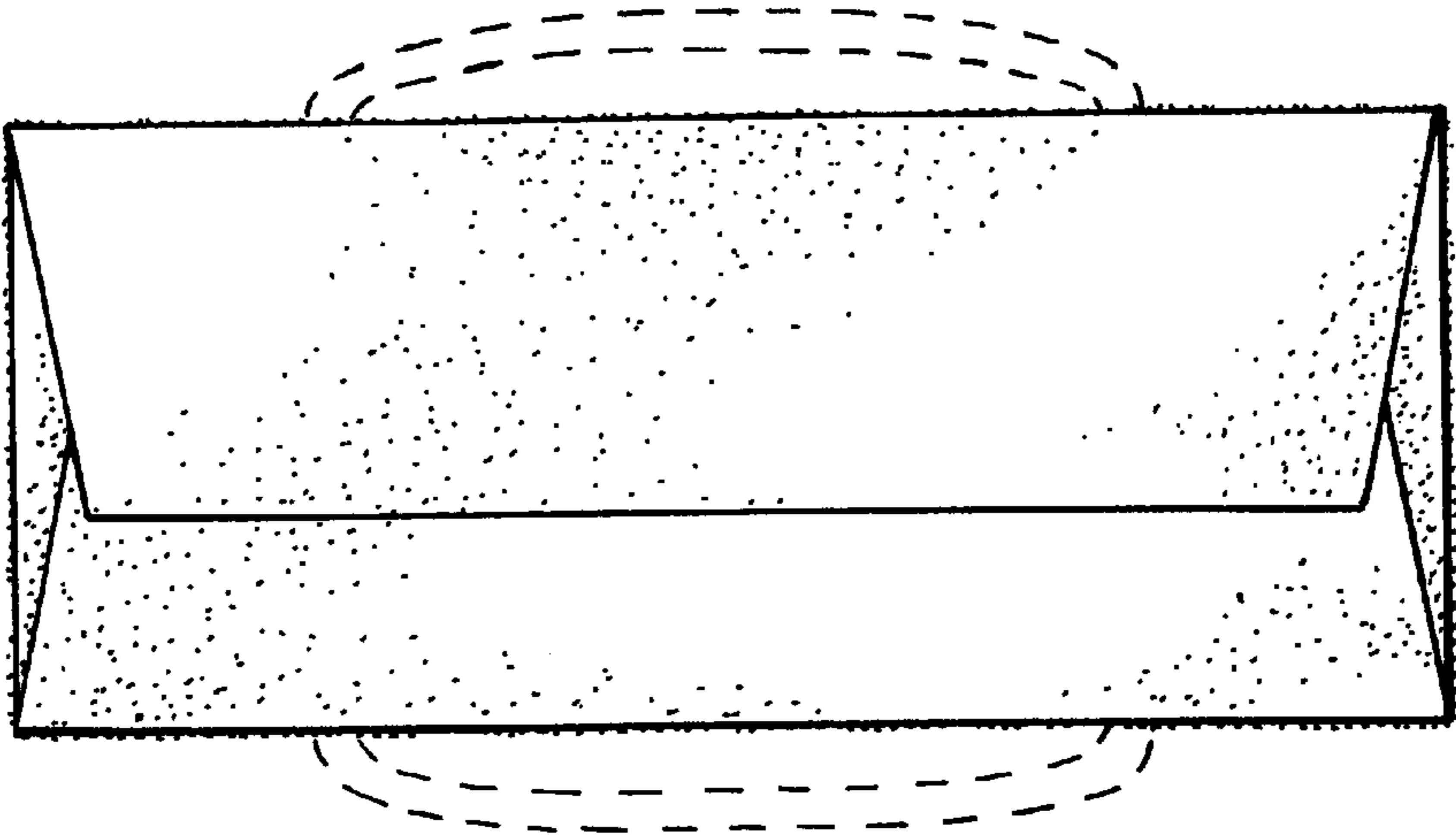


FIG. 4

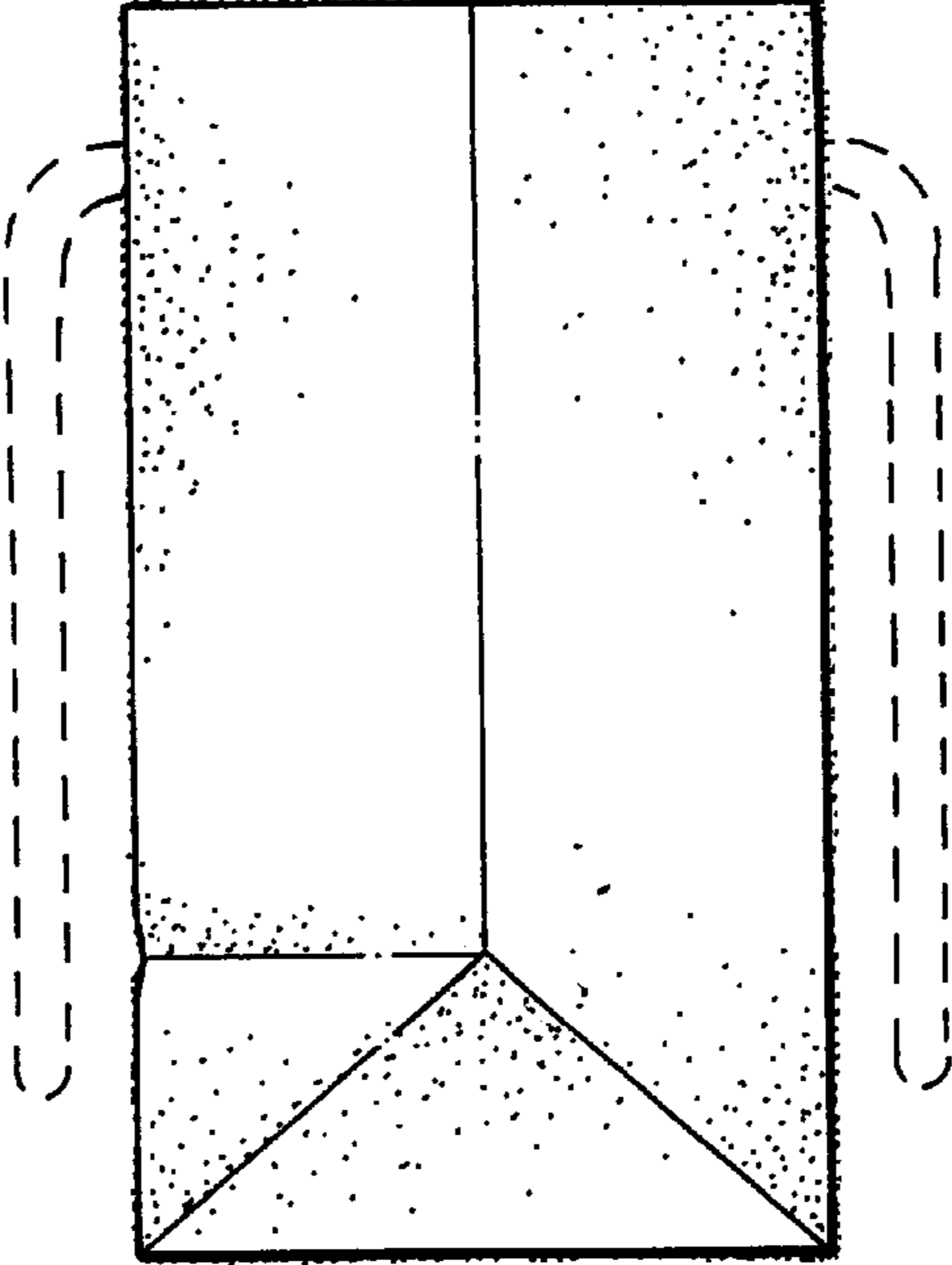


FIG. 5

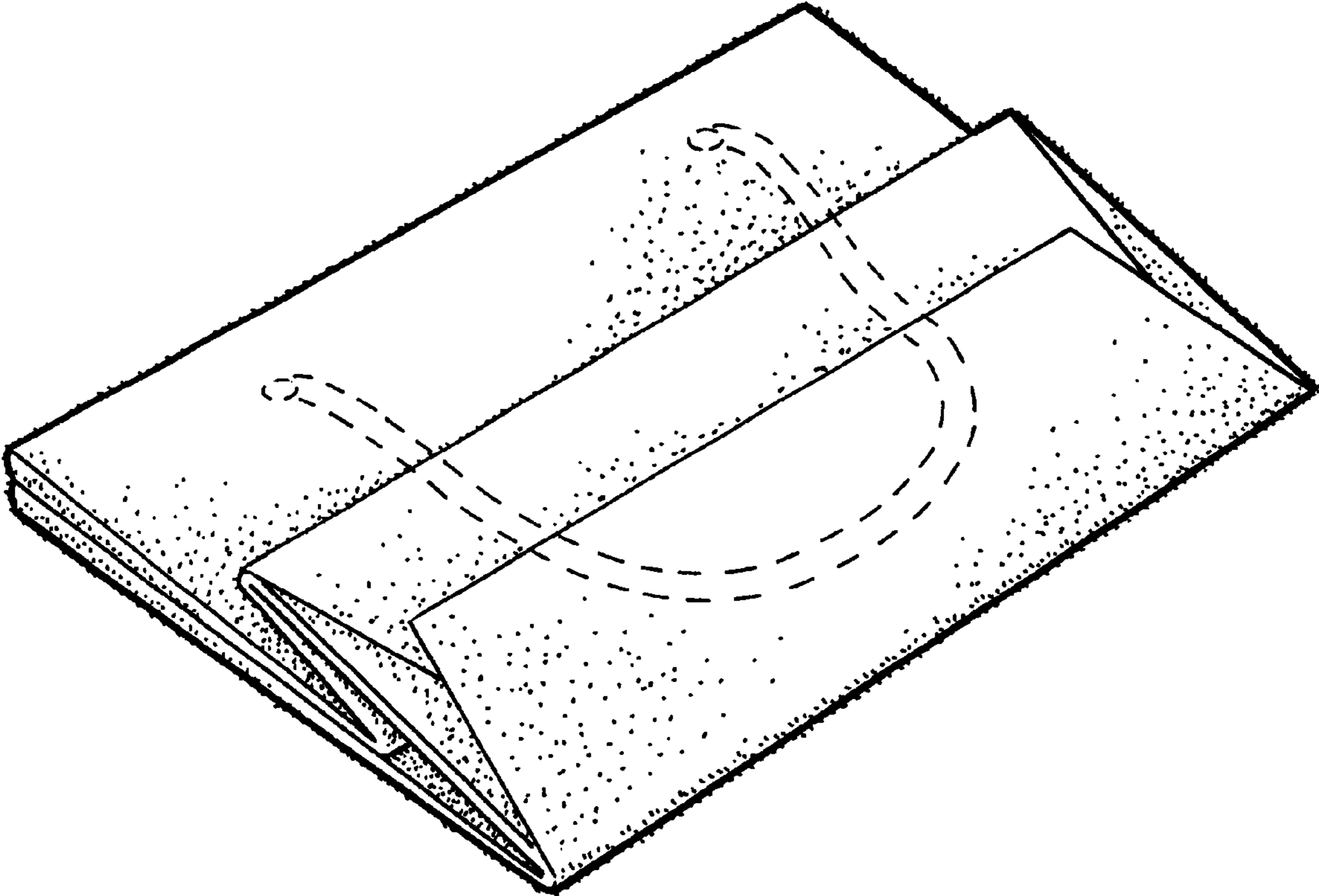


FIG. 6

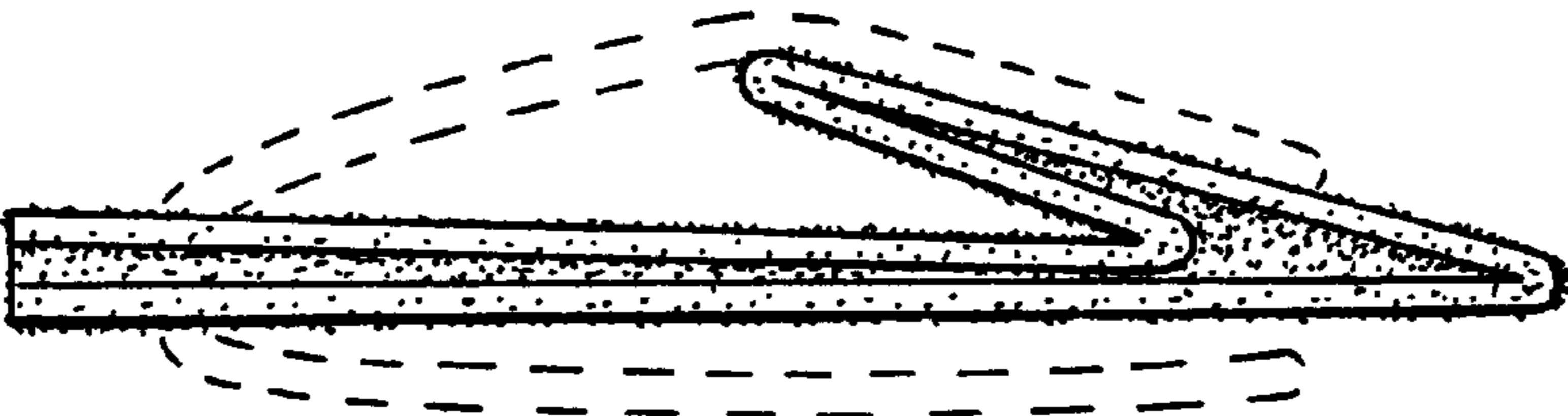


FIG. 7