

US00D498664S

(12) **United States Design Patent**  
**Gates**

(10) **Patent No.:** **US D498,664 S**

(45) **Date of Patent:** **\*\* Nov. 23, 2004**

(54) **SHELVING BRACKET**

D389,729 S \* 1/1998 Boeshart ..... D8/380  
D447,683 S \* 9/2001 Grosfillex ..... D8/381

(75) **Inventor:** **Fred Gates**, El Camino Village, CA (US)

\* cited by examiner

(73) **Assignee:** **Cambro Manufacturing Company**, Huntington Beach, CA (US)

*Primary Examiner*—Holly Baynham  
(74) *Attorney, Agent, or Firm*—George F. Bethel

(\*\*) **Term:** **14 Years**

(57) **CLAIM**

(21) **Appl. No.:** **29/202,457**

I claim the ornamental design for a shelving bracket, as shown and described.

(22) **Filed:** **Mar. 30, 2004**

**DESCRIPTION**

(51) **LOC (7) Cl.** ..... **08-05**

(52) **U.S. Cl.** ..... **D8/381**

(58) **Field of Search** ..... D8/381; 248/235, 248/237, 243, 247, 249

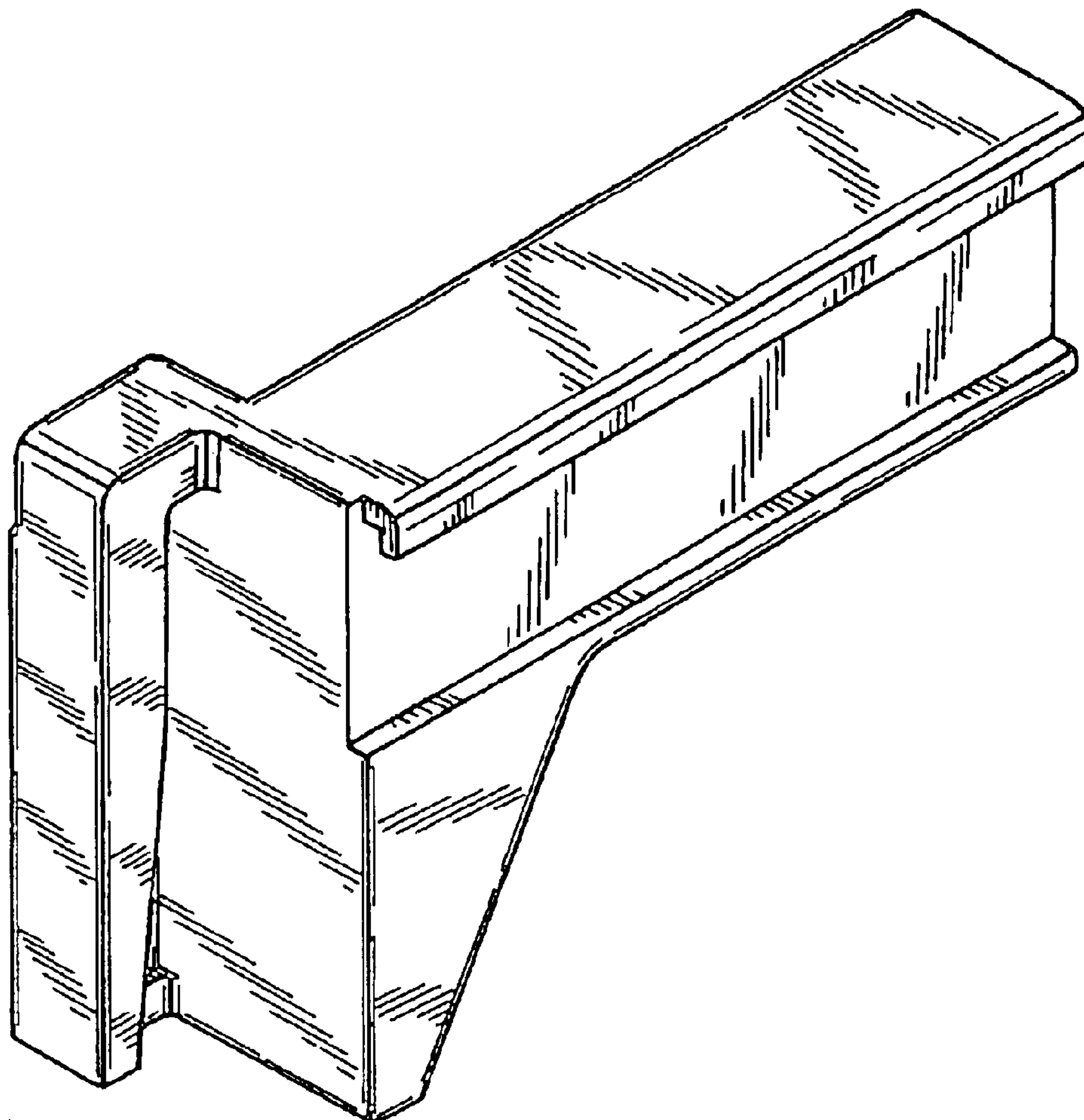
FIG. 1 is a perspective view of the shelving bracket.  
FIG. 2 is a front elevation view of the shelving bracket.  
FIG. 3 is a top plan view of the shelving bracket.  
FIG. 4 is a side elevation view of the shelving bracket looking from the left side of FIG. 1.  
FIG. 5 is a side elevation view of the shelving bracket looking from the right side of FIG. 1.  
FIG. 6 is a rear elevation view of the shelving bracket; and, FIG. 7 is a bottom plan view of the shelving bracket.

(56) **References Cited**

**U.S. PATENT DOCUMENTS**

D99,442 S \* 4/1936 Levy ..... D8/381  
D229,032 S \* 11/1973 Ferdinand et al. .... D8/381  
D338,637 S \* 8/1993 Shenkar ..... D11/156

**1 Claim, 2 Drawing Sheets**



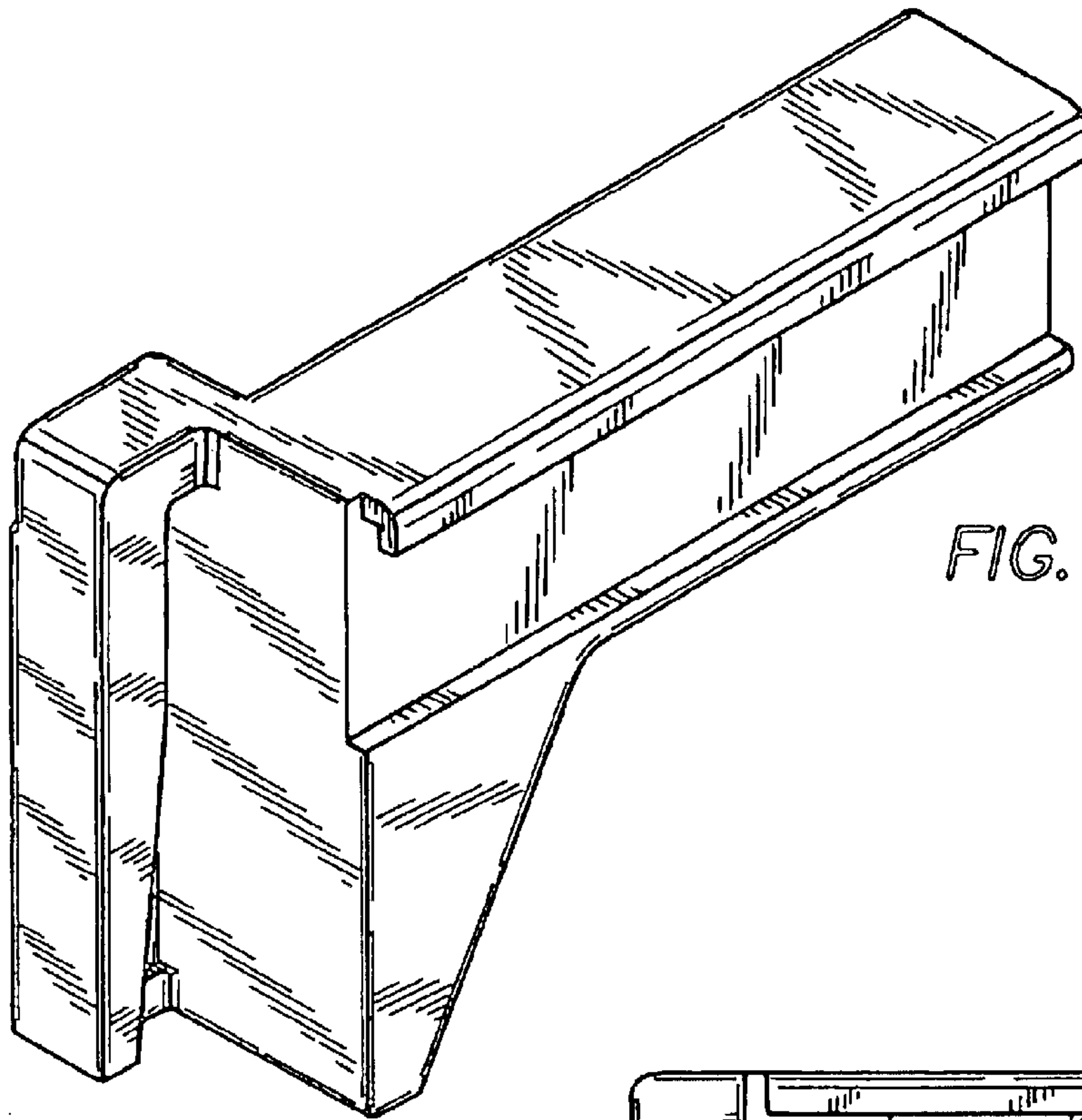


FIG. 1

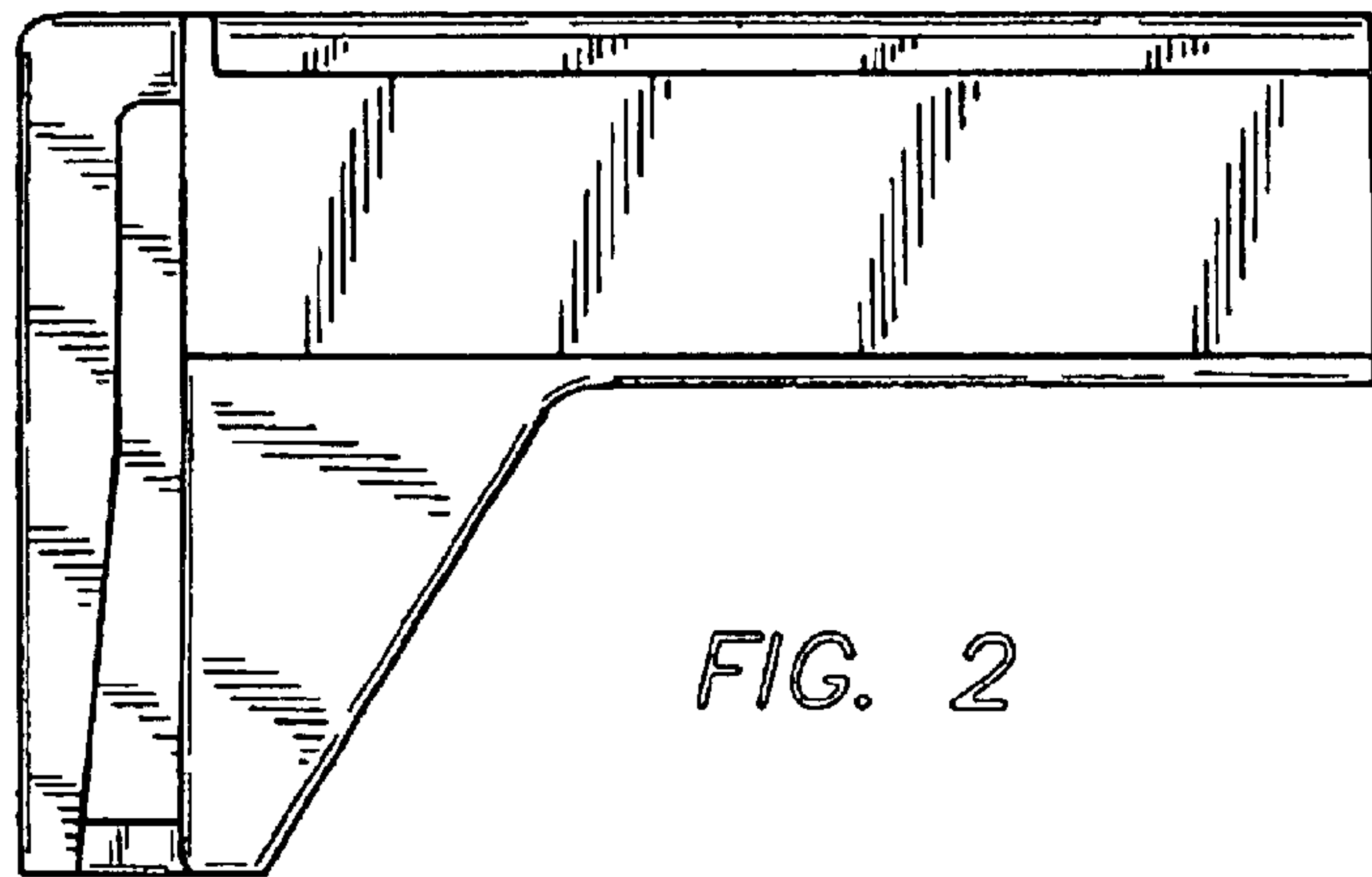


FIG. 2

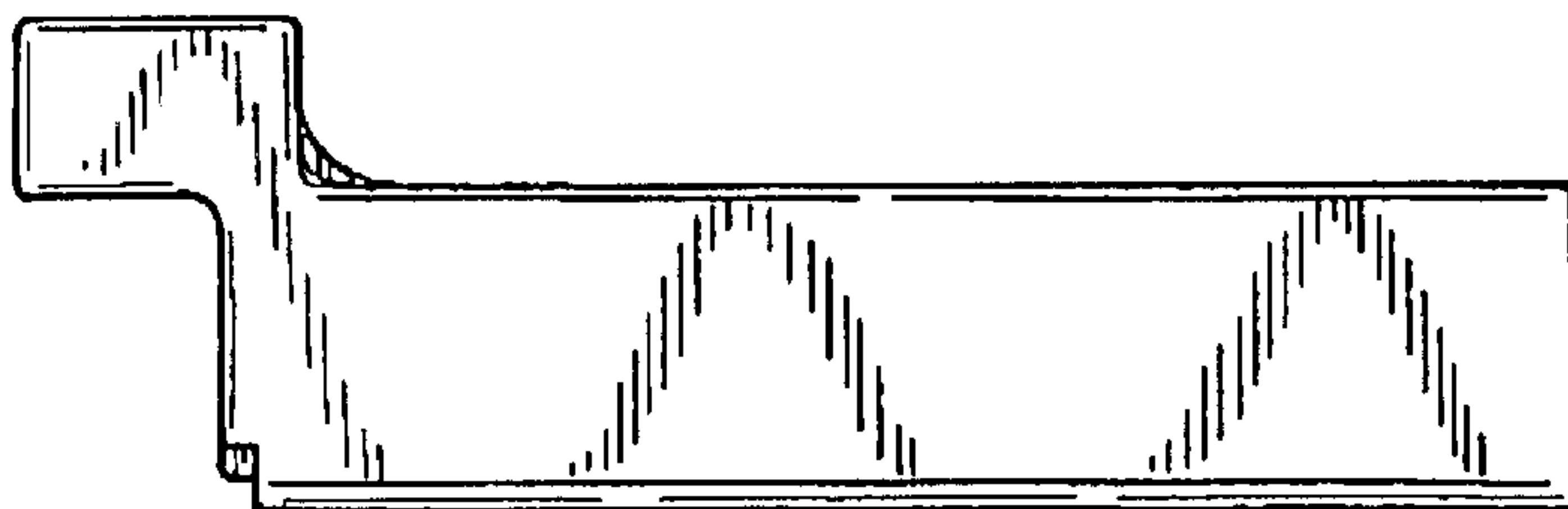


FIG. 3

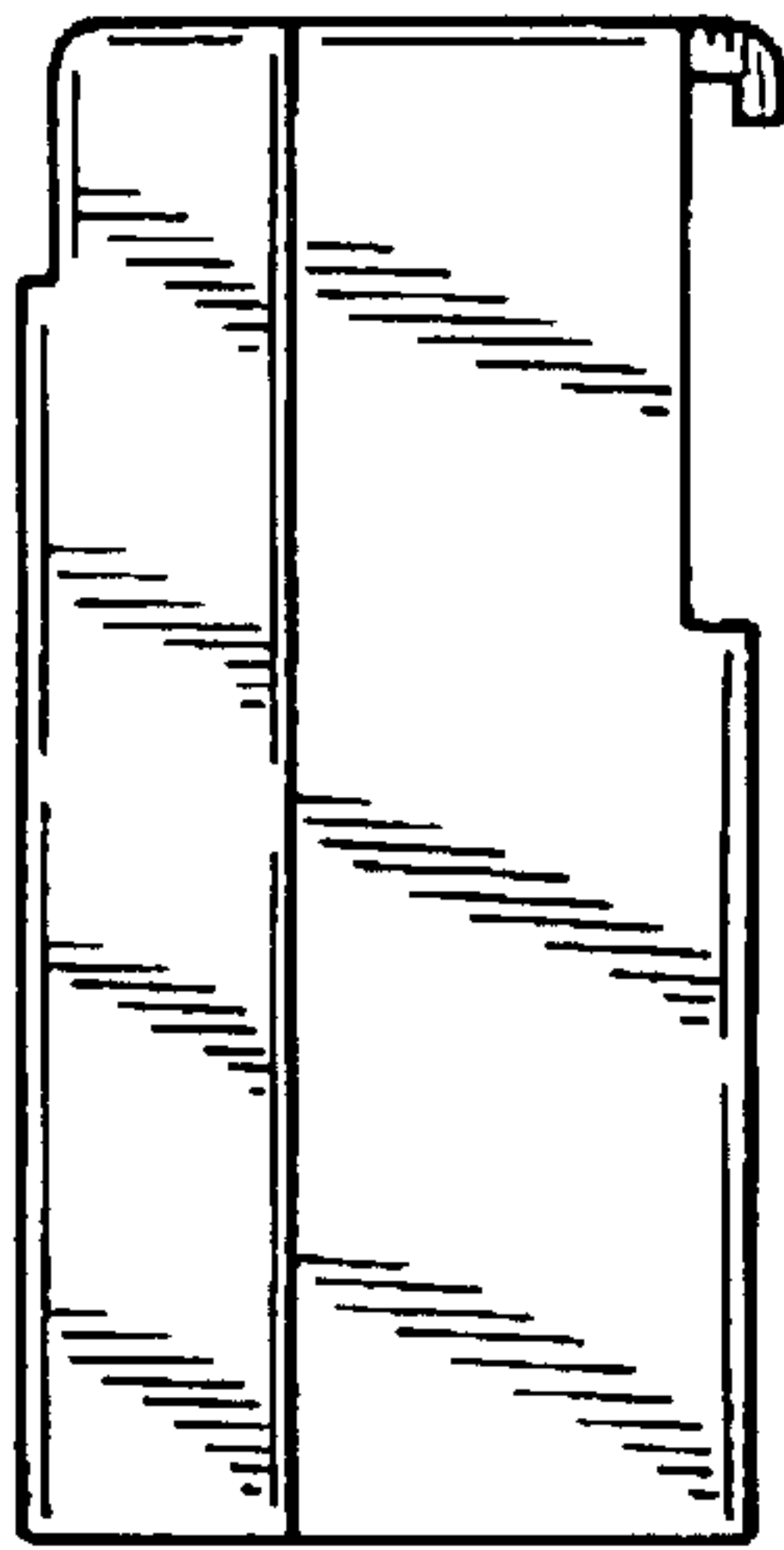


FIG. 4

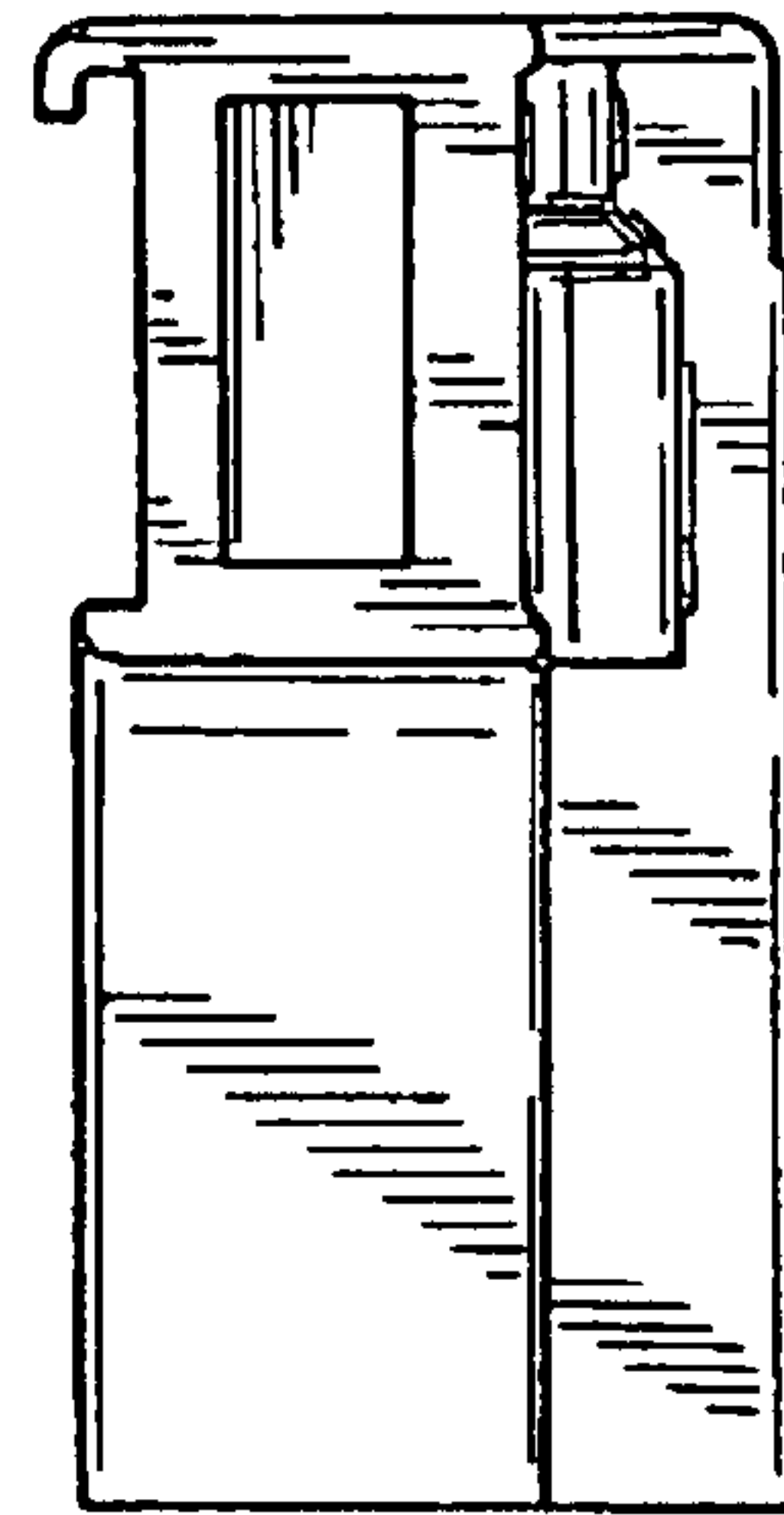


FIG. 5

FIG. 6

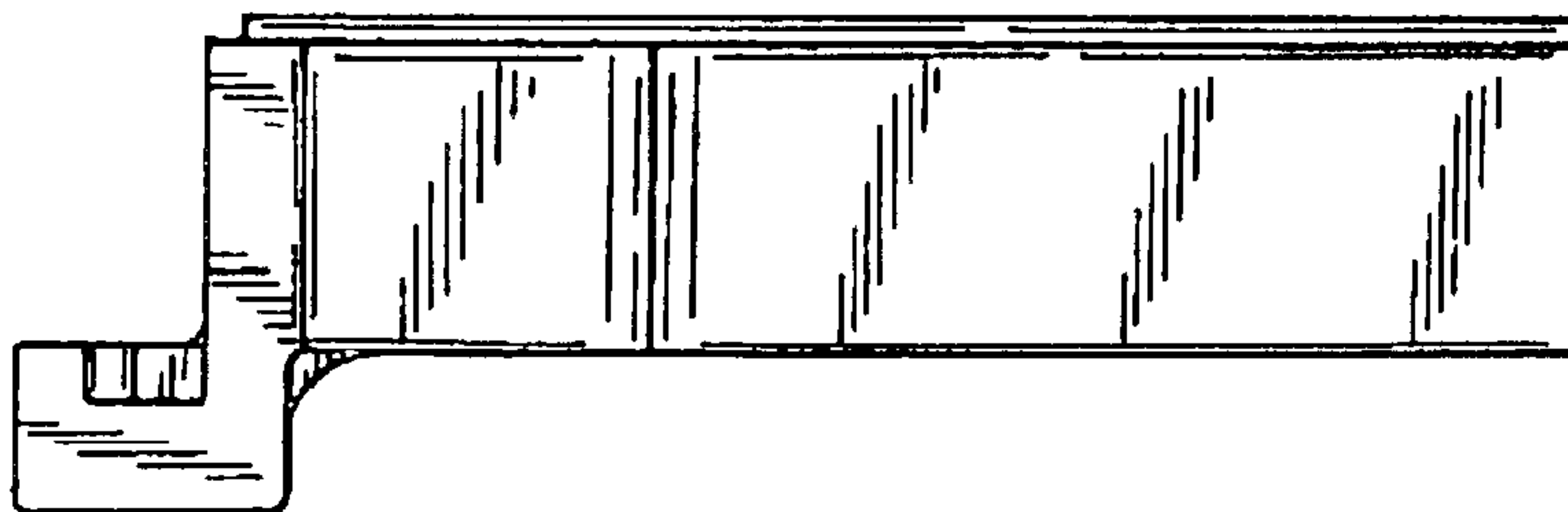
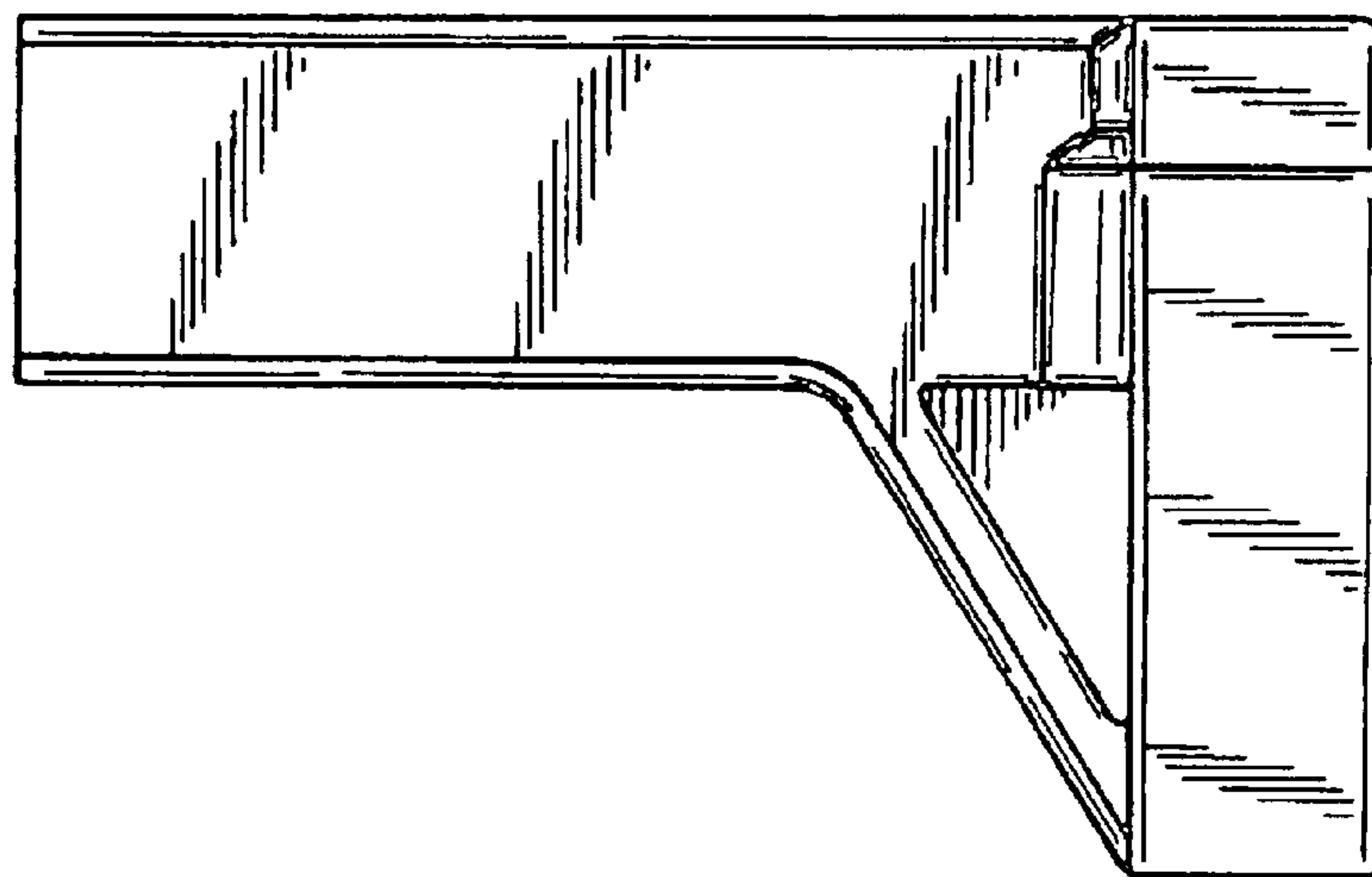


FIG. 7