

US00D498661S

(12) **United States Design Patent** (10) **Patent No.:** **US D498,661 S**  
**Neider et al.** (45) **Date of Patent:** **\*\* Nov. 23, 2004**

(54) **DOUBLE BASE CONNECTOR FOR A PIPE SUPPORTING DEVICE**

D466,394 S 12/2002 Neider et al.  
 6,502,791 B2 \* 1/2003 Parker ..... 248/70  
 6,520,456 B1 2/2003 Neider et al.  
 6,592,093 B2 \* 7/2003 Valentz ..... 248/346.01

(75) Inventors: **Michael A. Neider**, Sandy, UT (US);  
**Nathan M. Sargent**, Coalville, UT (US)

**OTHER PUBLICATIONS**

Co-pending U.S. Design patent application Ser. No. 29/171,260 filed Nov. 18, 2002, Neider et al.  
 Co-pending U.S. Design patent application Ser. No. 29/176,163 filed Feb. 18, 2003, Neider et al.  
 Co-pending U.S. Design patent application Ser. No. 29/178,222 filed Mar. 20, 2003, Neider et al.

(73) Assignee: **Miro Industries, Inc.**, Sandy City, UT (US)

(\*\*) Term: **14 Years**

\* cited by examiner

(21) Appl. No.: **29/175,211**

(22) Filed: **Jan. 31, 2003**

*Primary Examiner*—Joel Sincavage  
*Assistant Examiner*—Elizabeth Albert

(51) **LOC (7) Cl.** ..... **08-05**

(52) **U.S. Cl.** ..... **D8/354**

(58) **Field of Search** ..... D8/349, 354, 355,  
 D8/373, 380, 382; 211/22; 248/49, 55,  
 58, 65, 188.1, 310, 346.01, 346.02, 346.03,  
 346.04, 346.05, 405, 406.1, 519, 523, 529,  
 676, 677, 678, 903

(74) *Attorney, Agent, or Firm*—Kenneth E. Horton; Kirton & McConkie

(57) **CLAIM**

The ornamental design for a double base connector for a pipe supporting device, as shown and described.

(56) **References Cited**

**DESCRIPTION**

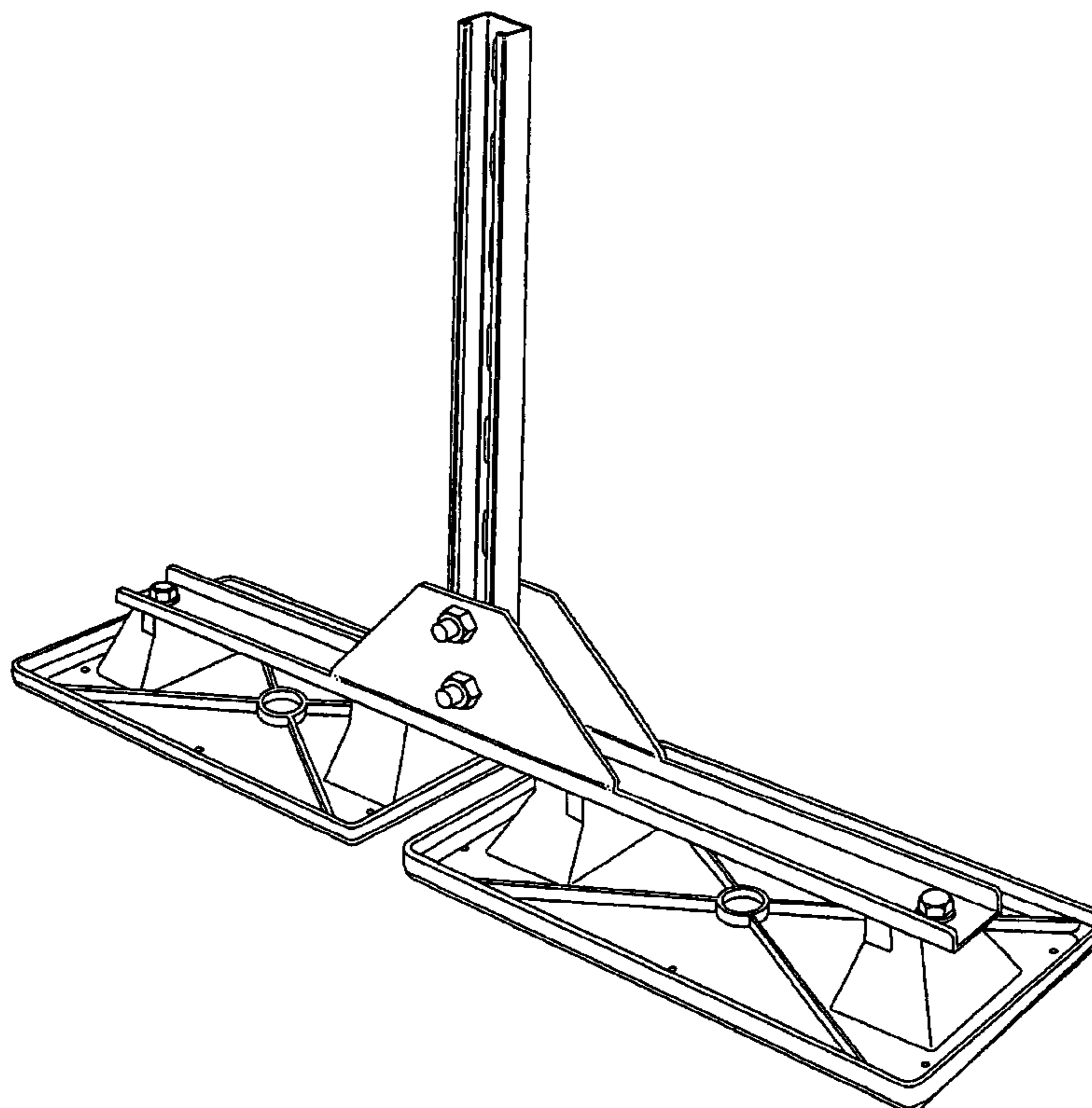
**U.S. PATENT DOCUMENTS**

D427,049 S 6/2000 Neider et al.  
 6,076,778 A \* 6/2000 Brown ..... 248/49  
 D433,615 S 11/2000 Neider et al.  
 D436,522 S 1/2001 Neider et al.  
 6,364,256 B1 4/2002 Neider et al.  
 D463,250 S \* 9/2002 Valentz ..... D8/349  
 D466,393 S 12/2002 Neider et al.

FIG. 1 is a front view of a double base connector for a pipe supporting device showing our design, which is also shown in FIGS. 2-4;

FIG. 2 is an angled view;  
 FIG. 3 is a side view; and,  
 FIG. 4 is a top view.

**1 Claim, 4 Drawing Sheets**



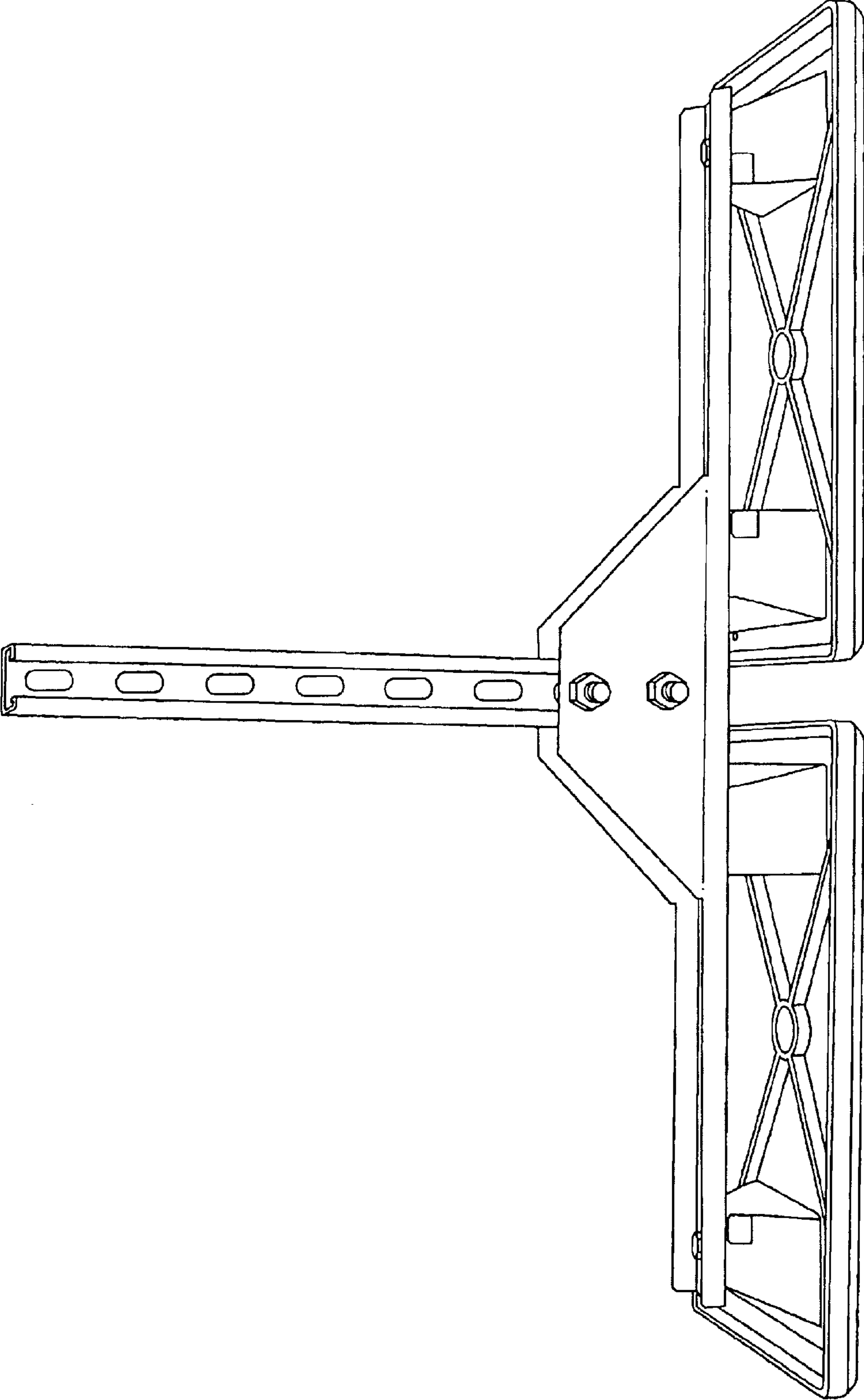


Fig. 1

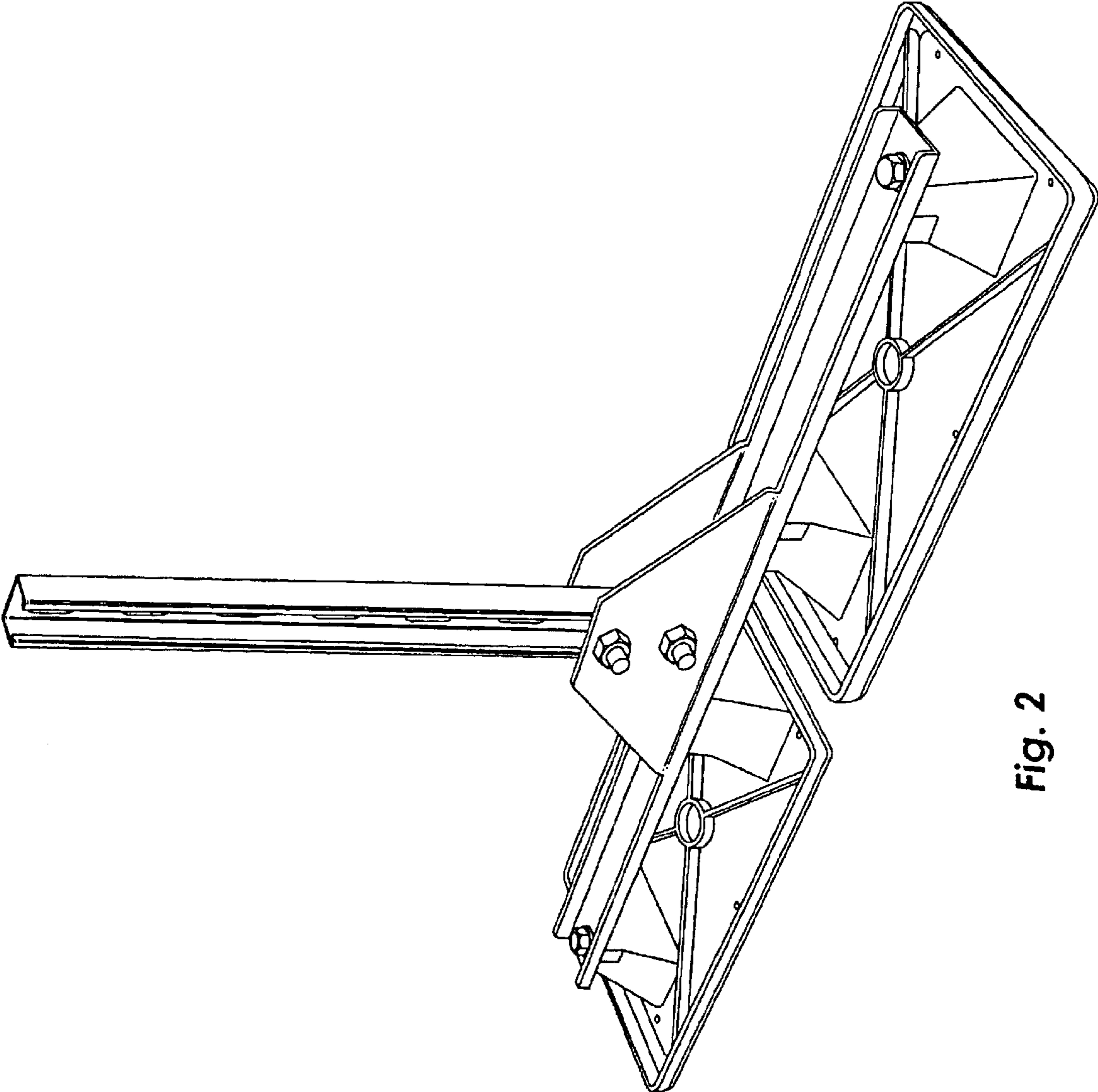


Fig. 2

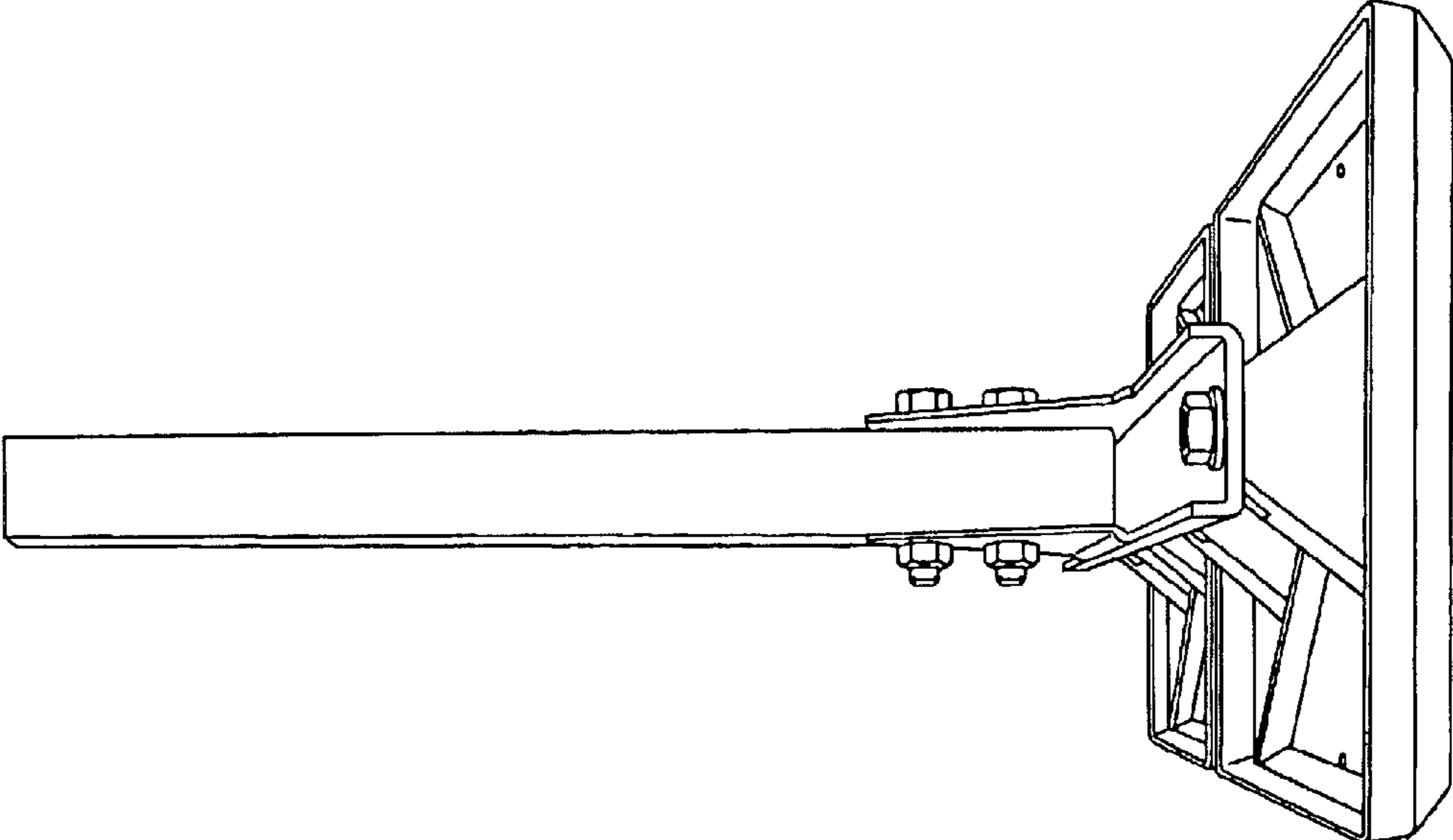


Fig. 3

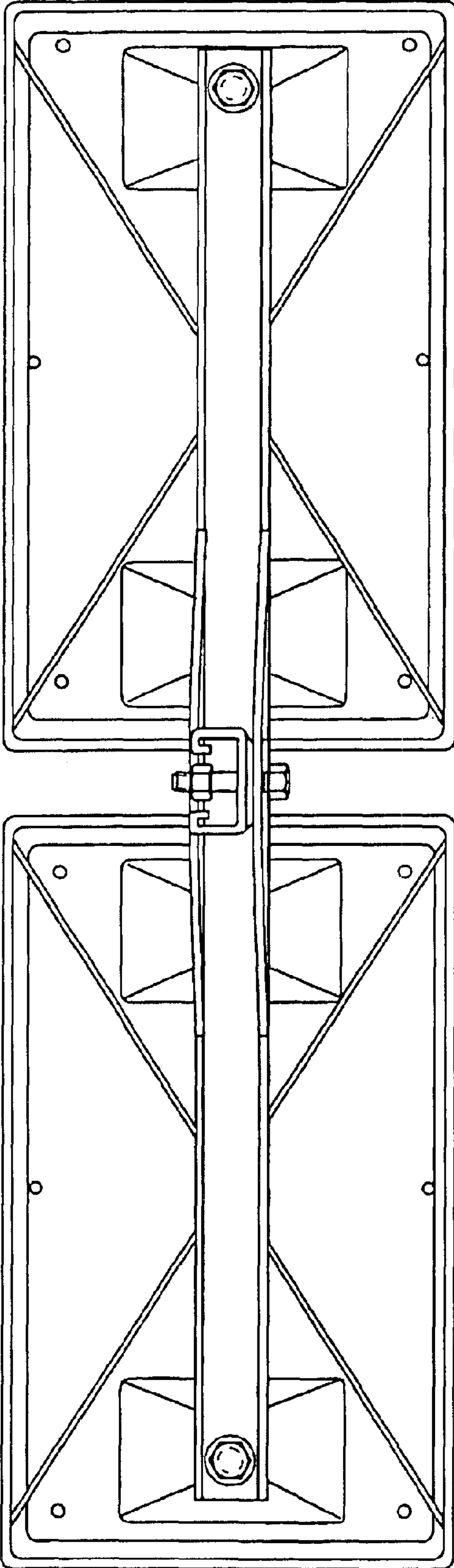


Fig. 4