

US00D498660S

(12) **United States Design Patent** (10) **Patent No.:** **US D498,660 S**
Neider et al. (45) **Date of Patent:** **** Nov. 23, 2004**

(54) **BASE FOR A PIPE SUPPORTING DEVICE**

6,520,456 B1 2/2003 Neider et al.
6,592,093 B2 * 7/2003 Valentz 248/346.01

(75) Inventors: **Michael A. Neider**, Sandy, UT (US);
Nathan M. Sargent, Coalville, UT (US)

OTHER PUBLICATIONS

MIRO Industries Inc. brochure, model 6-RAH base.*
Co-pending U.S. Design patent application Ser. No. 29/175,
211 filed Jan. 31, 2003, Neider et al.
Co-pending U.S. Design patent application Ser. No. 29/176,
163 filed Feb. 18, 2003, Sargent.
Co-pending U.S. Design patent application Ser. No. 29/178,
222 filed Mar. 20, 2003, Neider et al.

(73) Assignee: **Miro Industries, Inc.**, Sandy, UT (US)

(**) Term: **14 Years**

* cited by examiner

(21) Appl. No.: **29/171,260**

(22) Filed: **Nov. 18, 2002**

(51) **LOC (7) Cl.** **08-05**

Primary Examiner—Joel Sincavage

(52) **U.S. Cl.** **D8/354**

Assistant Examiner—Elizabeth Albert

(58) **Field of Search** D8/349, 354, 355,
D8/356, 373, 380, 382; 211/22; 248/49,
55, 58, 65, 188.1, 310, 346.01, 346.02,
346.03, 346.04, 346.05, 405, 406.1, 519,
523, 529, 676, 677, 678, 903

(74) *Attorney, Agent, or Firm*—Kenneth E. Horton; Kirton
& McConkie

(57) **CLAIM**

(56) **References Cited**

The ornamental design for a base for a pipe supporting
device, as shown and described.

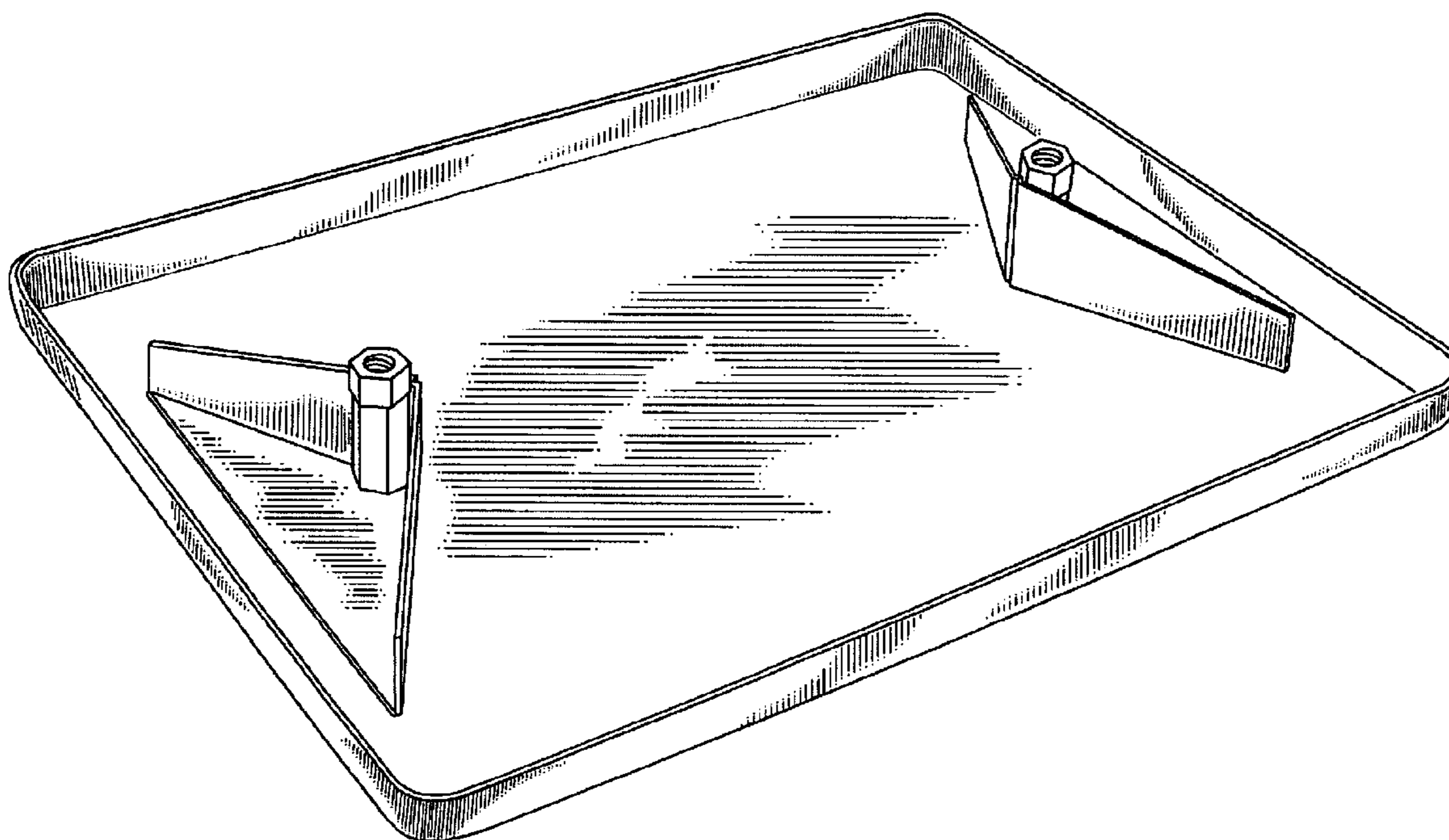
U.S. PATENT DOCUMENTS

DESCRIPTION

- D427,049 S 6/2000 Neider et al.
- 6,076,778 A * 6/2000 Brown 248/49
- D433,615 S 11/2000 Neider et al.
- D436,522 S 1/2001 Neider et al.
- 6,364,256 B1 4/2002 Neider et al.
- D463,250 S * 9/2002 Valentz D8/349
- D466,393 S 12/2002 Neider et al.
- D466,394 S 12/2002 Neider et al.
- 6,502,791 B2 * 1/2003 Parker 248/70

FIG. 1 is a perspective view of a base for a pipe supporting
device showing our design, which is also shown in FIGS.
2-4;
FIG. 2 is a perspective front view;
FIG. 3 is a top view; and,
FIG. 4 is a perspective side view.

1 Claim, 4 Drawing Sheets



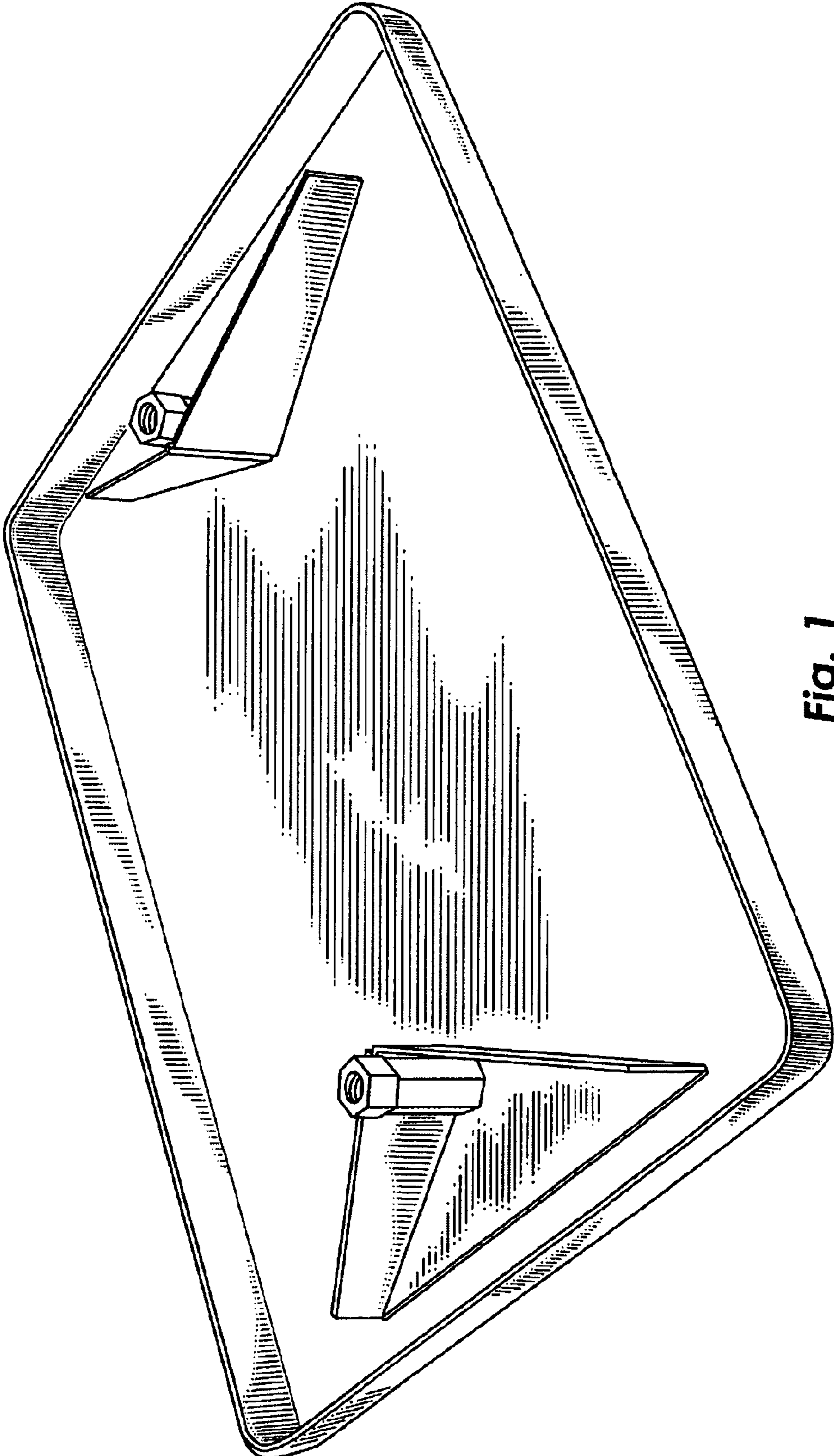


Fig. 1

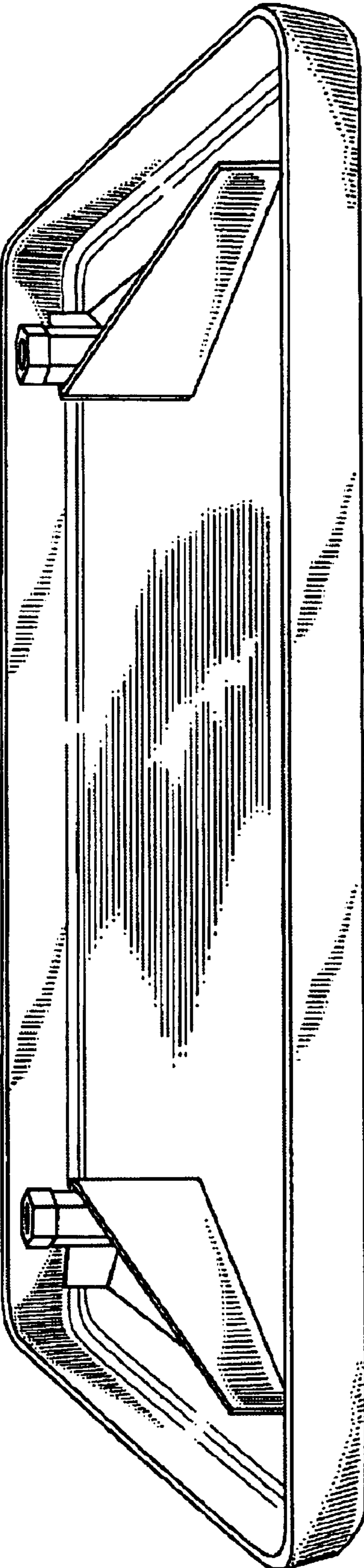


Fig. 2

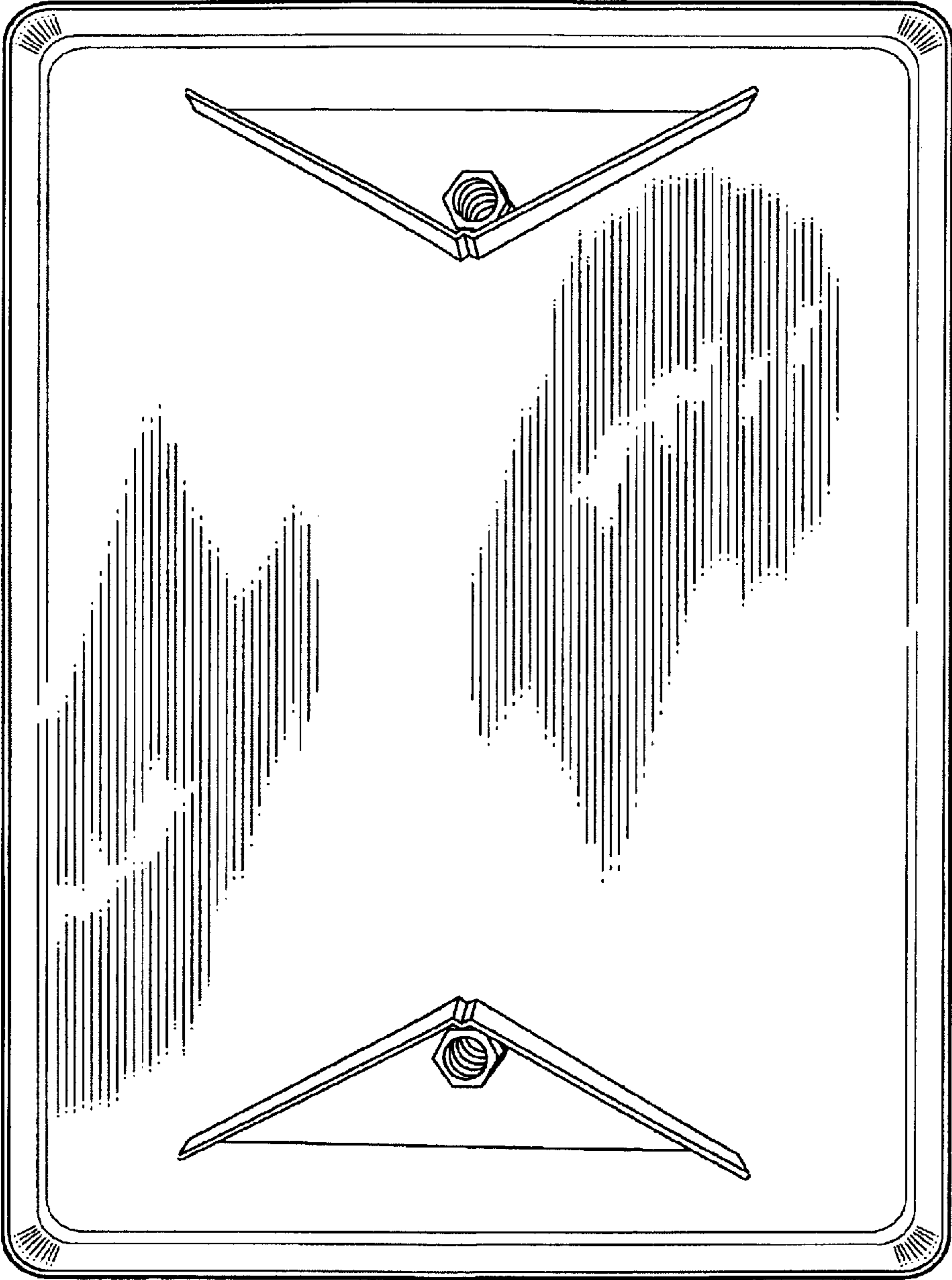


Fig. 3

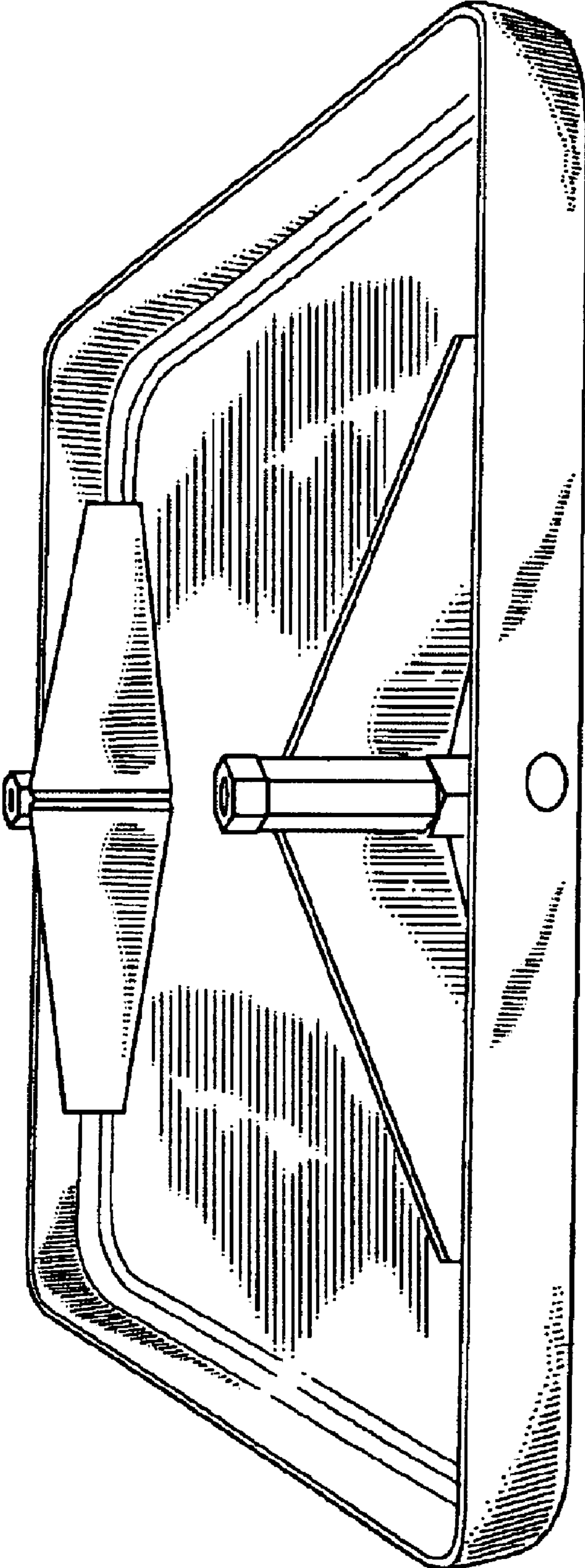


Fig. 4