

US00D498654S

(12) **United States Design Patent**
Smith

(10) **Patent No.:** **US D498,654 S**

(45) **Date of Patent:** **** Nov. 23, 2004**

(54) **DIAMOND BENCH STONE**

(75) **Inventor:** **Richard S. Smith**, Hot Springs, AR (US)

(73) **Assignee:** **Smith Abrasives, Inc.**, Hot Springs, AR (US)

(**) **Term:** **14 Years**

(21) **Appl. No.:** **29/192,257**

(22) **Filed:** **Oct. 20, 2003**

(51) **LOC (7) Cl.** **08-05**

(52) **U.S. Cl.** **D8/91**

(58) **Field of Search** D8/90, 91, 92,
D8/93, 94; 76/82, 84, 86, 88; 451/548,
549, 552, 555, 557, 558

(56) **References Cited**

U.S. PATENT DOCUMENTS

4,170,343	A	*	10/1979	Longbrake	269/3
D260,356	S	*	8/1981	Hall	D8/91
4,807,404	A	*	2/1989	Lewis	451/494
5,558,572	A	*	9/1996	Fletcher	451/552
5,607,346	A	*	3/1997	Wilson et al.	451/540
D408,254	S	*	4/1999	Friel et al.	D8/91
D472,785	S	*	4/2003	Watson et al.	D8/90
D486,052	S	*	2/2004	Smith	D8/91

OTHER PUBLICATIONS

Bass Pro Shops Catalog, Fall 2003, p. 152, Smith's Diamond Benchstones.*

Woodcraft Catalog 2002, p. 90, Diamond Sharpeners.*

* cited by examiner

Primary Examiner—Philip S. Hyder

(74) *Attorney, Agent, or Firm*—Edward D. Gilbooly

(57) **CLAIM**

The ornamental design for a diamond bench stone, as shown and described.

DESCRIPTION

FIG. 1 is a top perspective view of the ornamental design for diamond bench stone of the invention;

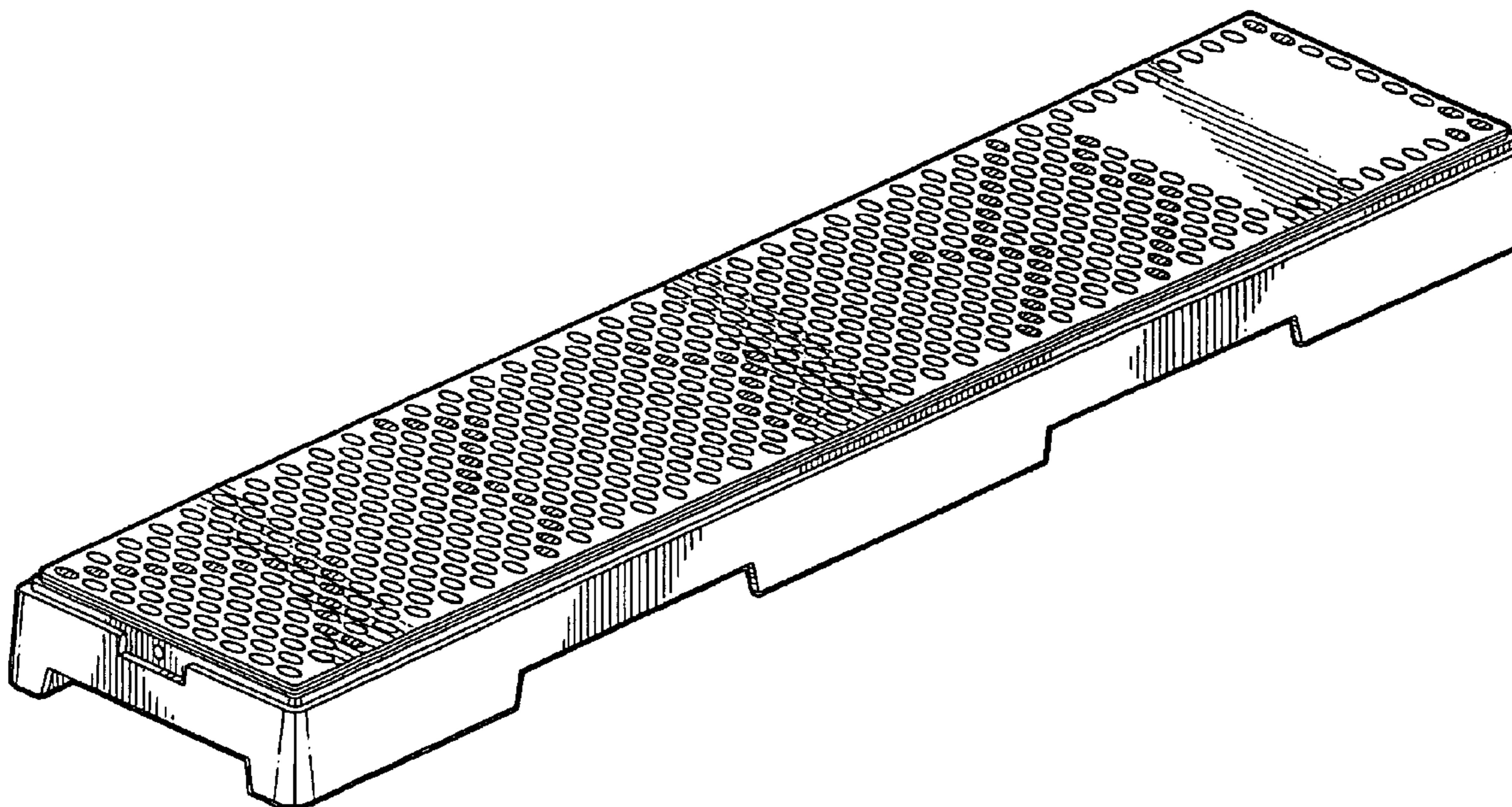
FIG. 2 is a top plan view of the ornamental design for diamond bench stone of FIG. 1;

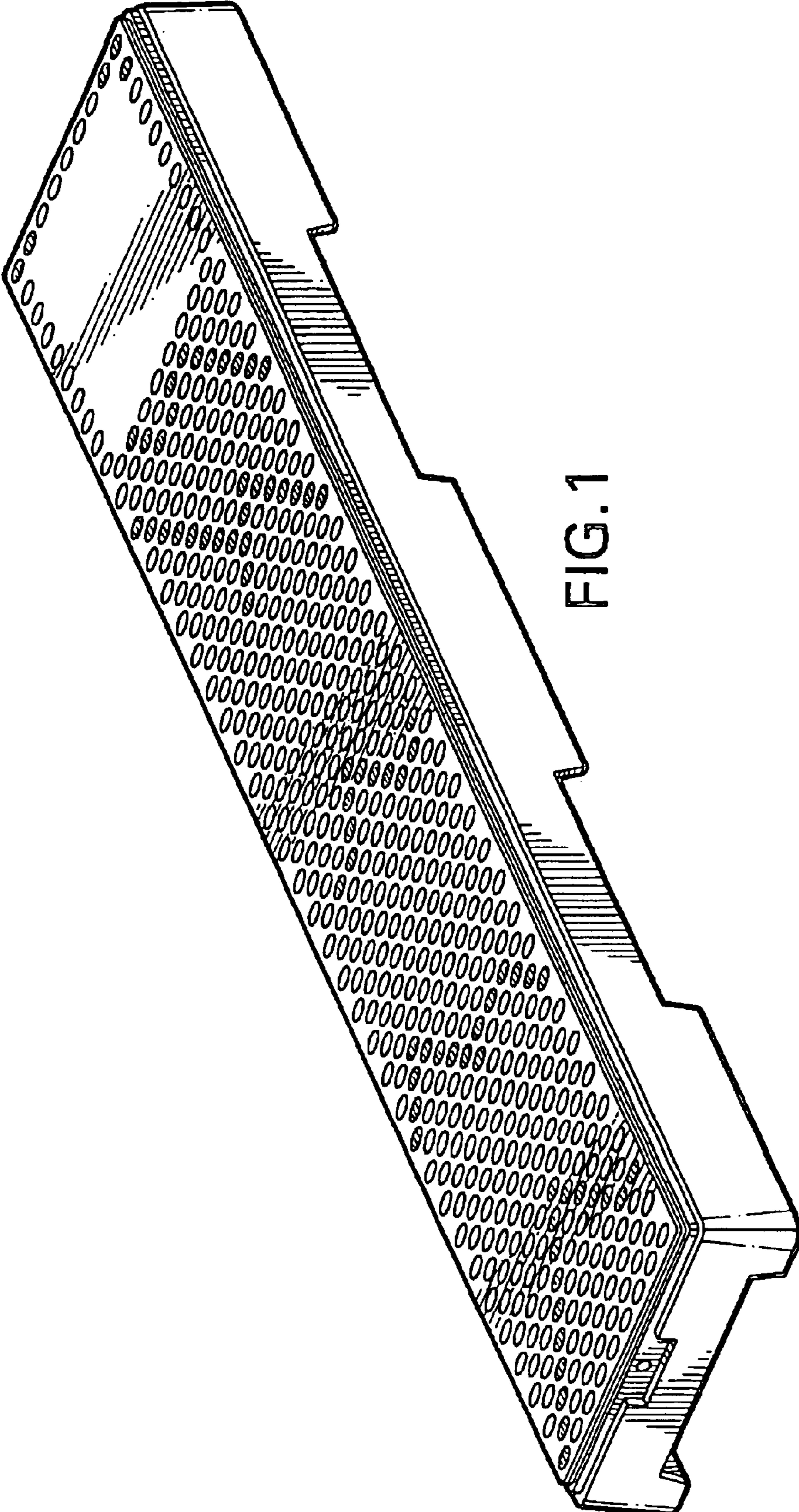
FIG. 3 is a side elevation view of the ornamental design for diamond bench stone of FIG. 1;

FIG. 4 is an end elevational view of the ornamental design for diamond bench stone of FIG. 1, with the opposite end being the mirror image of FIG. 4; and,

FIG. 5 is a bottom plan view of the ornamental design for diamond bench stone of FIG. 1.

1 Claim, 3 Drawing Sheets





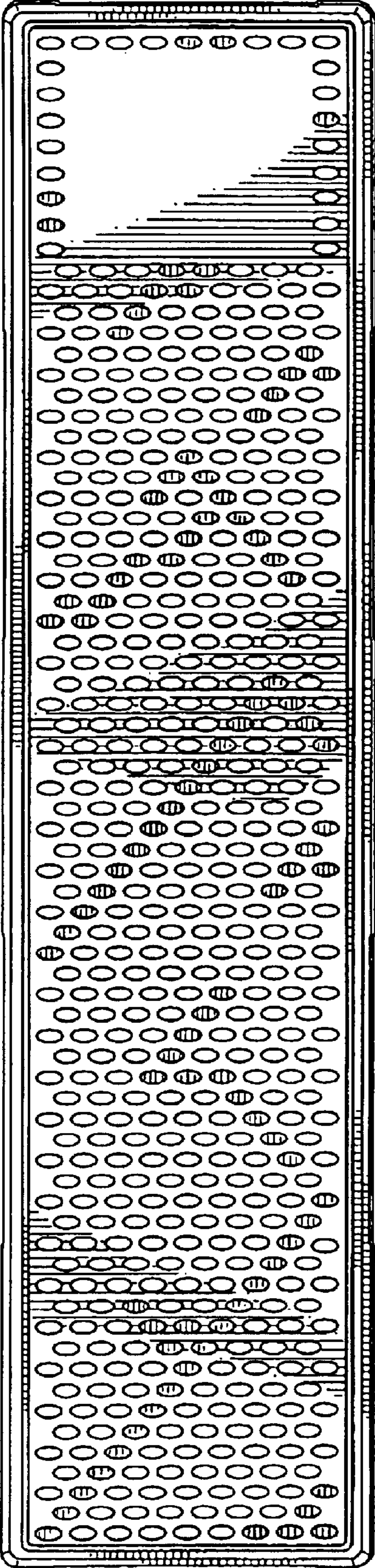


FIG. 2

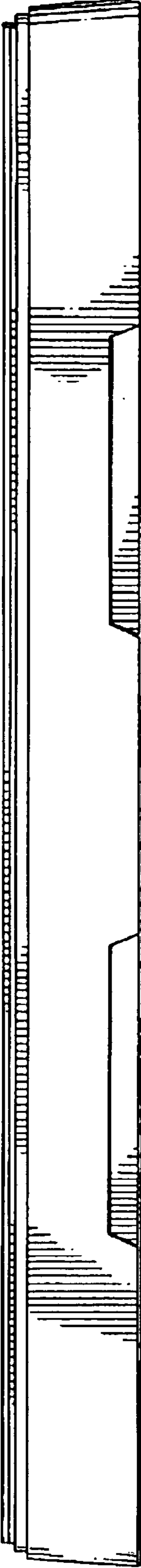


FIG. 3

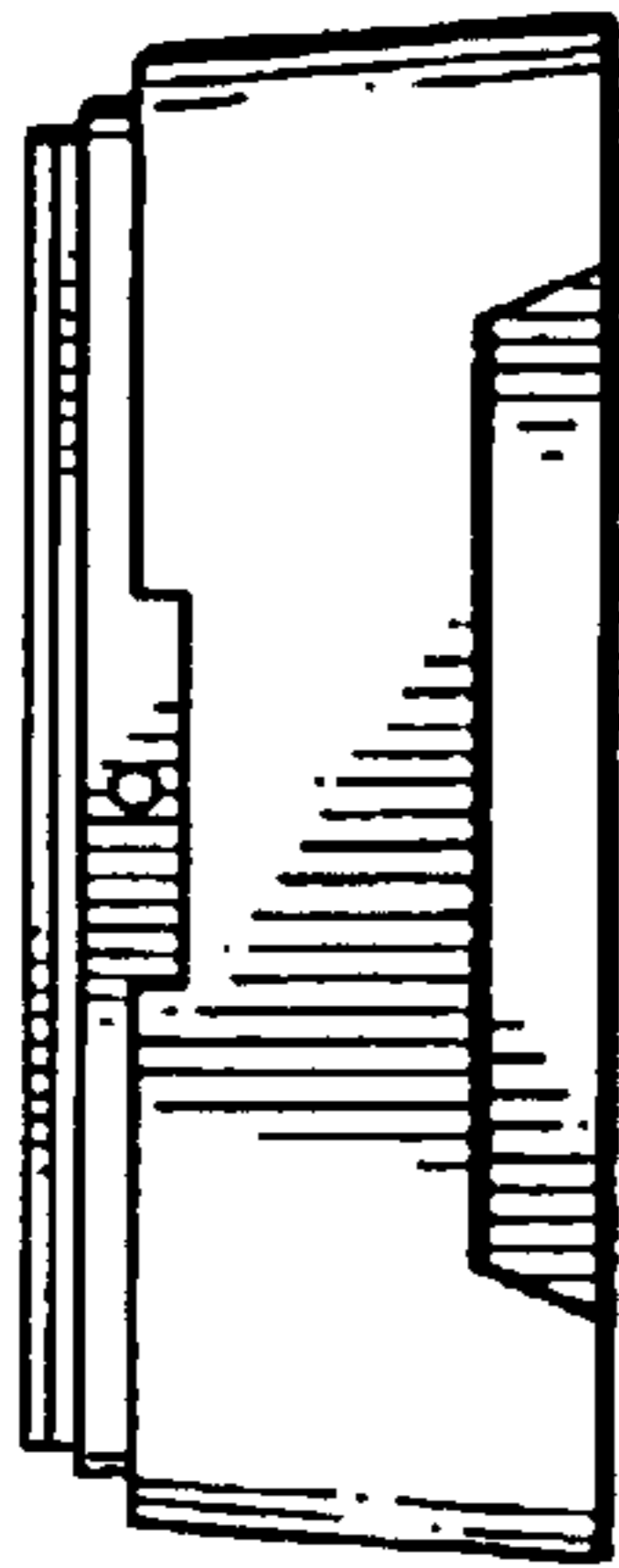


FIG. 4

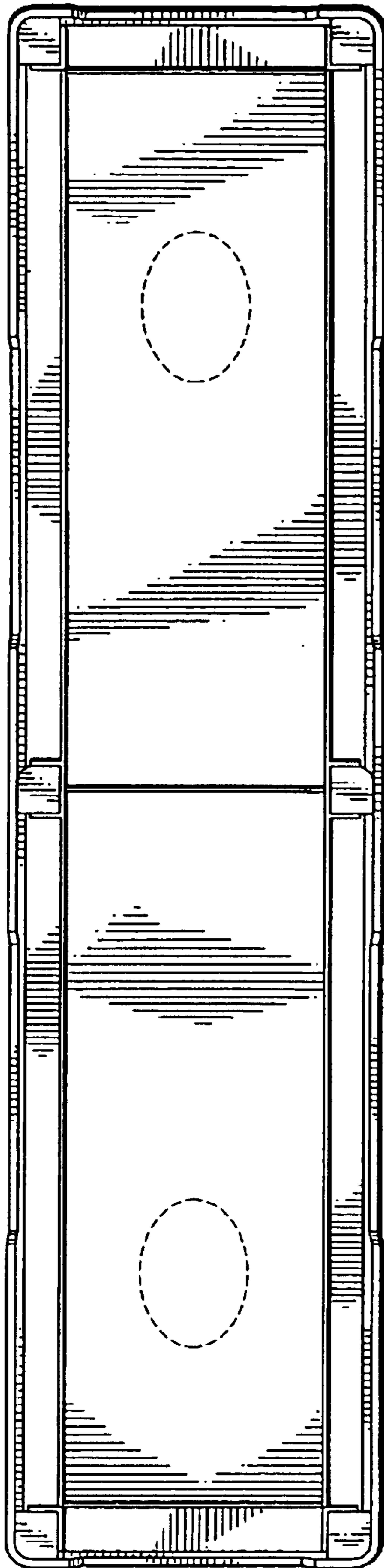


FIG. 5