

US00D498653S

(12) **United States Design Patent**  
**Wu**

(10) **Patent No.:** **US D498,653 S**  
(45) **Date of Patent:** **\*\* Nov. 23, 2004**

(54) **ANGLE GRINDER**

(75) **Inventor:** **Shuming Wu, Jiangsu (CN)**

(73) **Assignee:** **Chervon International Trading Co., Ltd. (CN)**

(\*\*) **Term:** **14 Years**

(21) **Appl. No.:** **29/201,060**

(22) **Filed:** **Mar. 10, 2004**

(30) **Foreign Application Priority Data**

Sep. 10, 2003 (CN) ..... 03347398

(51) **LOC (7) Cl.** ..... **08-01**

(52) **U.S. Cl.** ..... **D8/62**

(58) **Field of Search** ..... D8/61, 62, 67,  
D8/69; 173/170, 171; 310/50; 451/344,  
351, 352, 353, 354, 355, 356, 357, 358,  
359, 451

(56) **References Cited**

**U.S. PATENT DOCUMENTS**

D255,417 S	*	6/1980	Sakamoto et al.	.....	D8/62
D295,824 S	*	5/1988	Hoshino et al.	.....	D8/62
D297,907 S	*	10/1988	Hoshimo et al.	.....	D8/62
D301,830 S	*	6/1989	Ogawa et al.	.....	D8/62
5,201,146 A	*	4/1993	Fushiya	.....	451/358
D378,183 S	*	2/1997	Dognini	.....	D8/62

D408,244 S	*	4/1999	Price	.....	D8/62
D434,296 S	*	11/2000	Ogasawara	.....	D8/62
D438,077 S	*	2/2001	Schmid	.....	D8/61
6,293,859 B1	*	9/2001	Fink et al.	.....	451/344
6,527,630 B2	*	3/2003	Mannsperger et al.	.....	451/344
D475,263 S	*	6/2003	Andriolo	.....	D8/62
D479,679 S	*	9/2003	Wright	.....	D8/62

\* cited by examiner

*Primary Examiner*—Joel Sincavage

*Assistant Examiner*—Elizabeth Albert

(74) *Attorney, Agent, or Firm*—Lowe Hauptman Gilman & Berner LLP

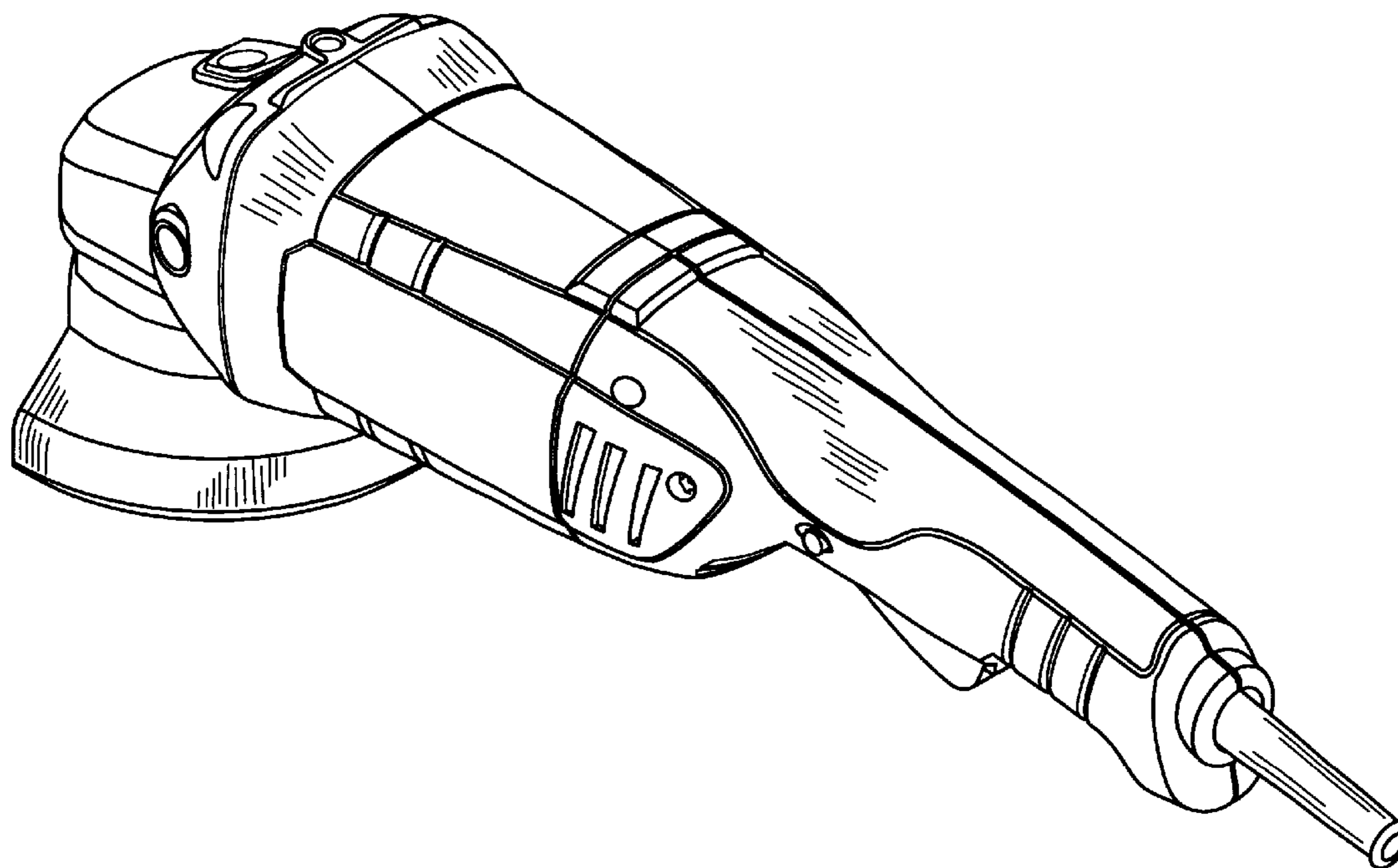
(57) **CLAIM**

The ornamental design for an angle grinder, as shown and described.

**DESCRIPTION**

FIG. 1 is a rear elevational view of the design;  
FIG. 2 is a front elevational view of the design of FIG. 1;  
FIG. 3 is a bottom plan view of the design of FIG. 1;  
FIG. 4 is a top plan view of the design of FIG. 1;  
FIG. 5 is a right side elevational view of the design of FIG. 1;  
FIG. 6 is a left side elevational view of the design of FIG. 1; and,  
FIG. 7 is a front-top-right perspective view of the design of FIG. 1.

**1 Claim, 6 Drawing Sheets**



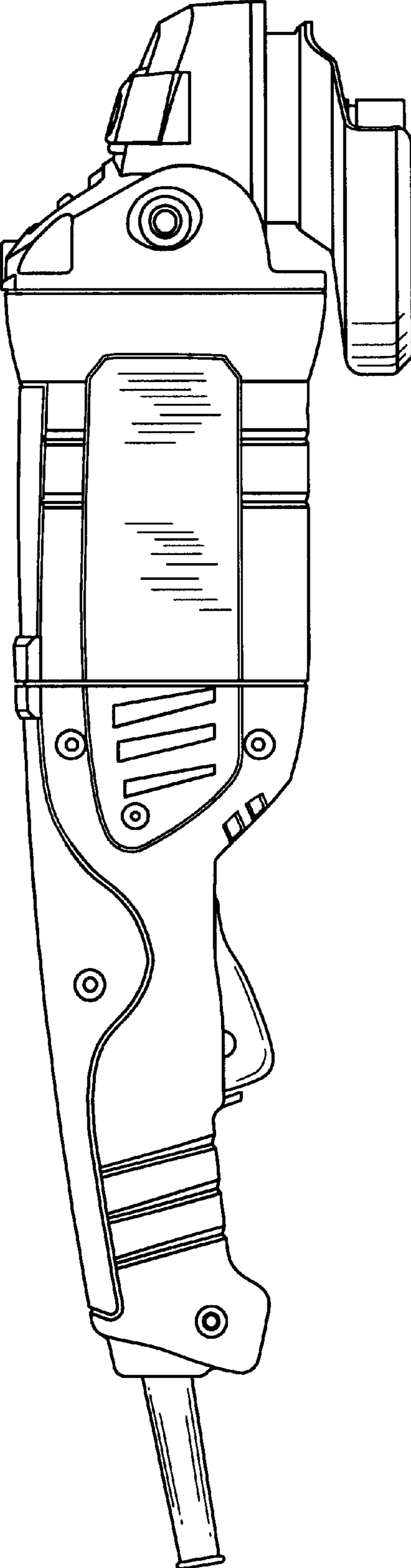


FIG. 1

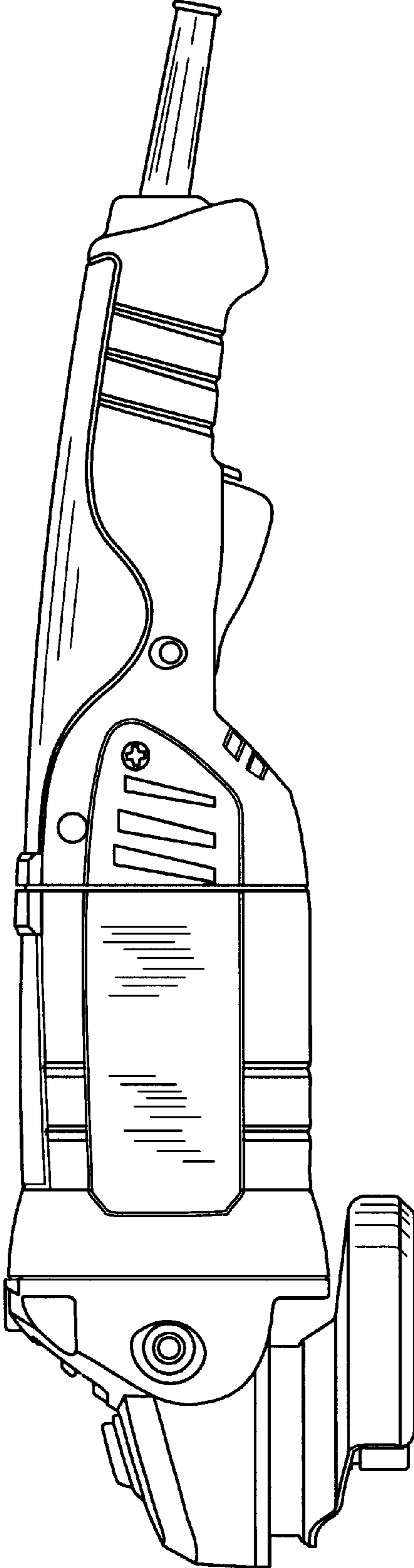


FIG. 2

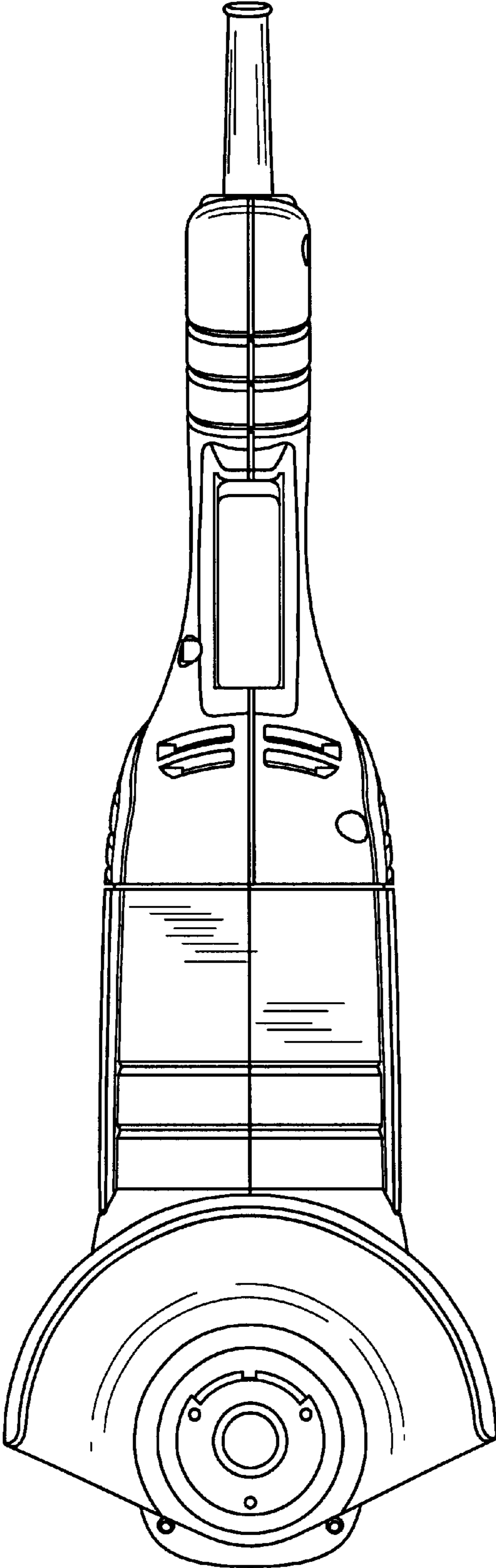


FIG. 3

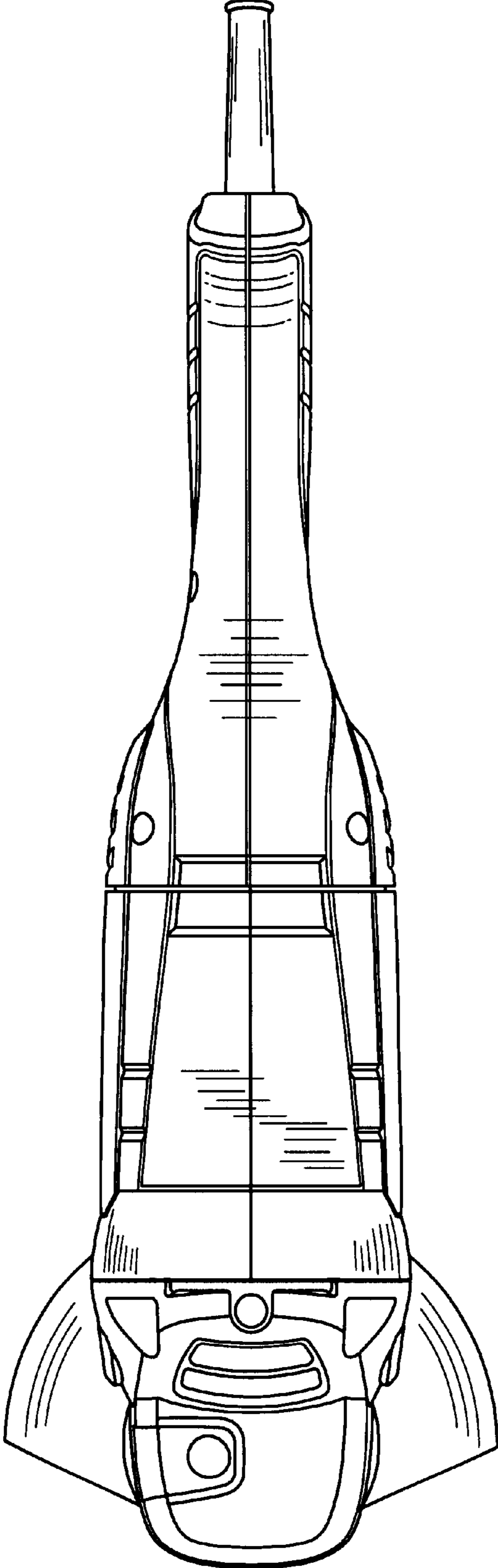


FIG. 4

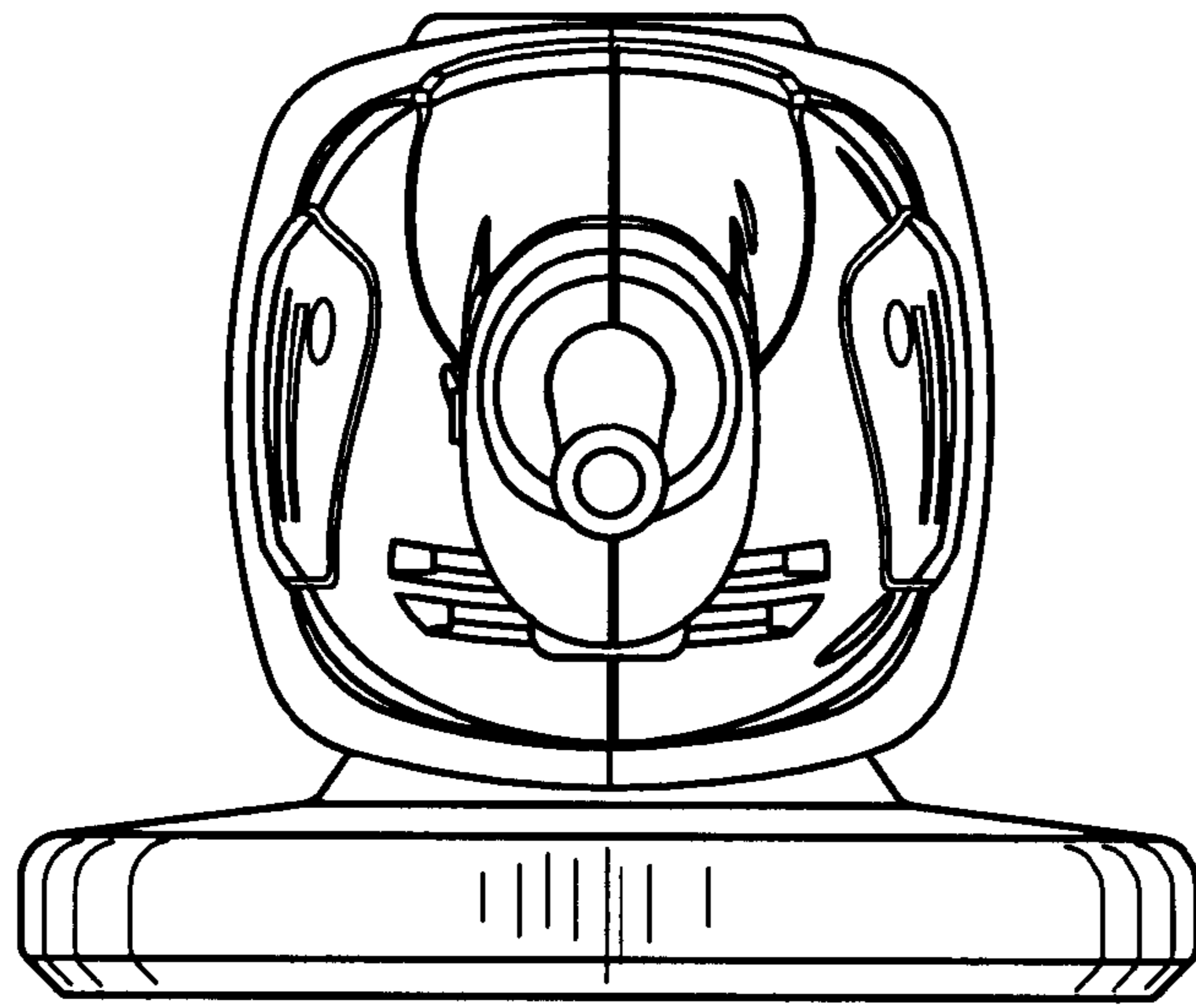


FIG. 5

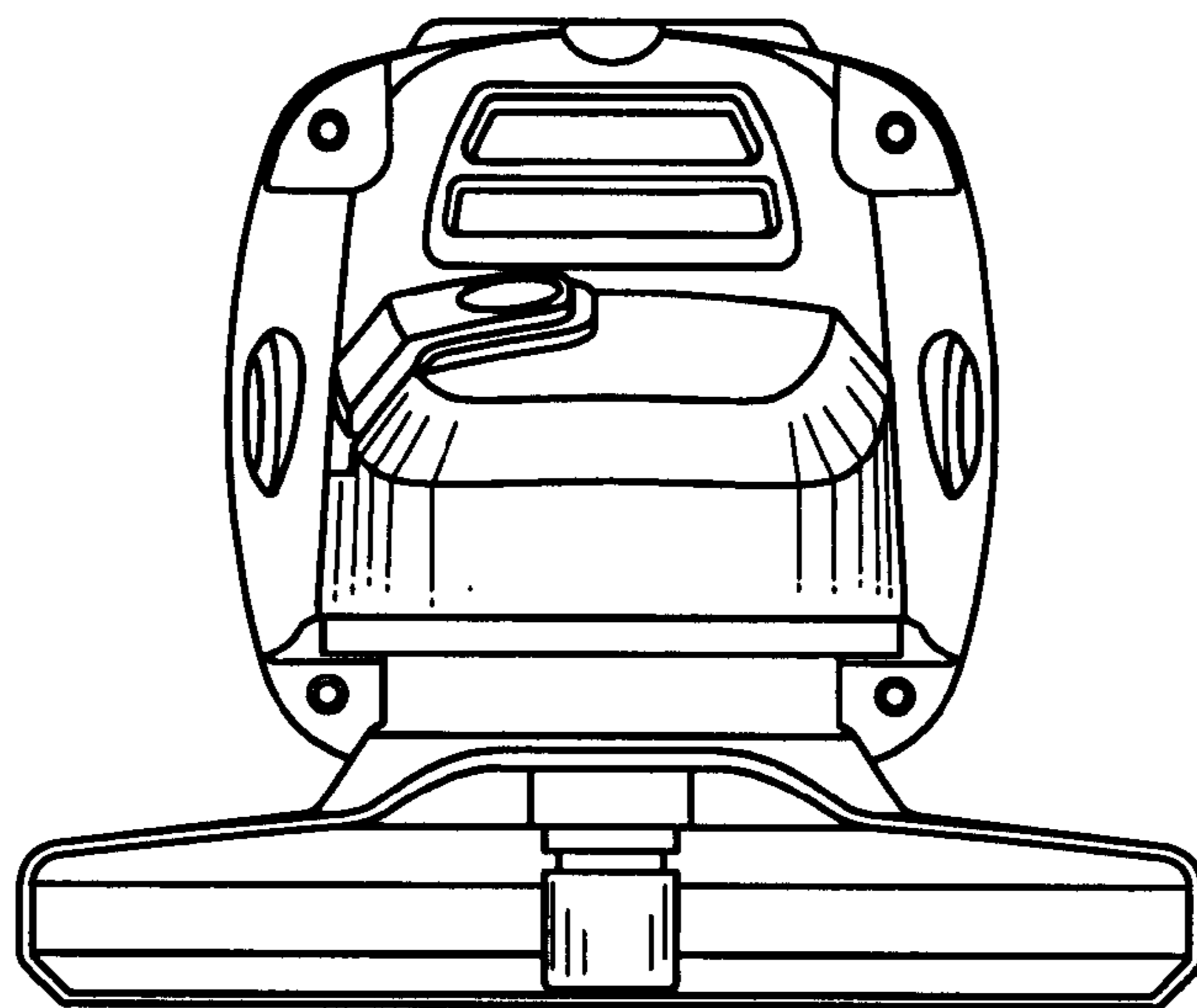


FIG. 6



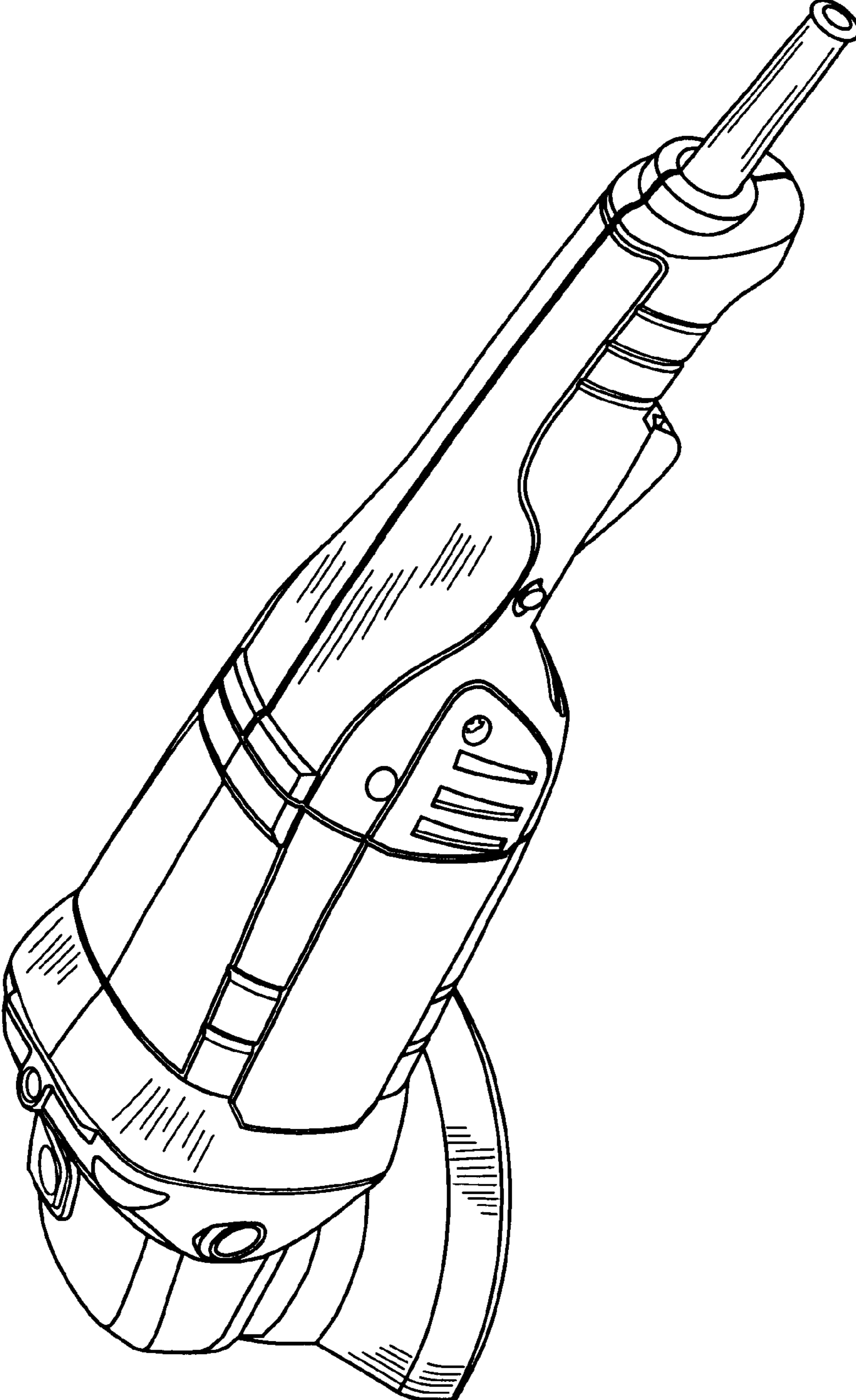


FIG. 7