

US00D498652S

(12) **United States Design Patent**  
**Tilton**

(10) **Patent No.:** **US D498,652 S**

(45) **Date of Patent:** **\*\* Nov. 23, 2004**

(54) **PUTTY APPLICATOR**

(76) **Inventor:** **Bradley W. Tilton**, 105 Burt Ave.,  
Northport, NY (US) 11768

(\*\*) **Term:** **14 Years**

(21) **Appl. No.:** **29/188,727**

(22) **Filed:** **Aug. 22, 2003**

(51) **LOC (7) Cl.** ..... **08-05**

(52) **U.S. Cl.** ..... **D8/45**

(58) **Field of Search** ..... D8/14, 45; 15/235.4,  
15/235.5, 235.7

(56) **References Cited**

**U.S. PATENT DOCUMENTS**

2,247,603 A	7/1941	Christman	
D132,890 S	6/1942	Brabham	
D157,904 S	* 3/1950	Reusch	D8/45
D243,381 S	* 2/1977	Kridos	D7/688
D298,300 S	* 11/1988	Leray	D8/45
4,919,604 A	4/1990	Wilson	
5,067,889 A	11/1991	Humiston	
D366,405 S	* 1/1996	Stevens	D8/45
5,611,102 A	* 3/1997	Lesinsky et al.	15/235.5

5,675,860 A	* 10/1997	Campbell	15/235.7
D416,453 S	* 11/1999	Egan	D8/45
6,219,878 B1	4/2001	Dewberry	

\* cited by examiner

*Primary Examiner*—Holly Baynham

(57) **CLAIM**

The ornamental design for a putty applicator, as shown and described.

**DESCRIPTION**

FIG. 1 is a front elevational view of a putty applicator showing my new design;

FIG. 2 is a rear elevational view thereof;

FIG. 3 is a side view, taken from the left side, the right side view being a mirror image thereof;

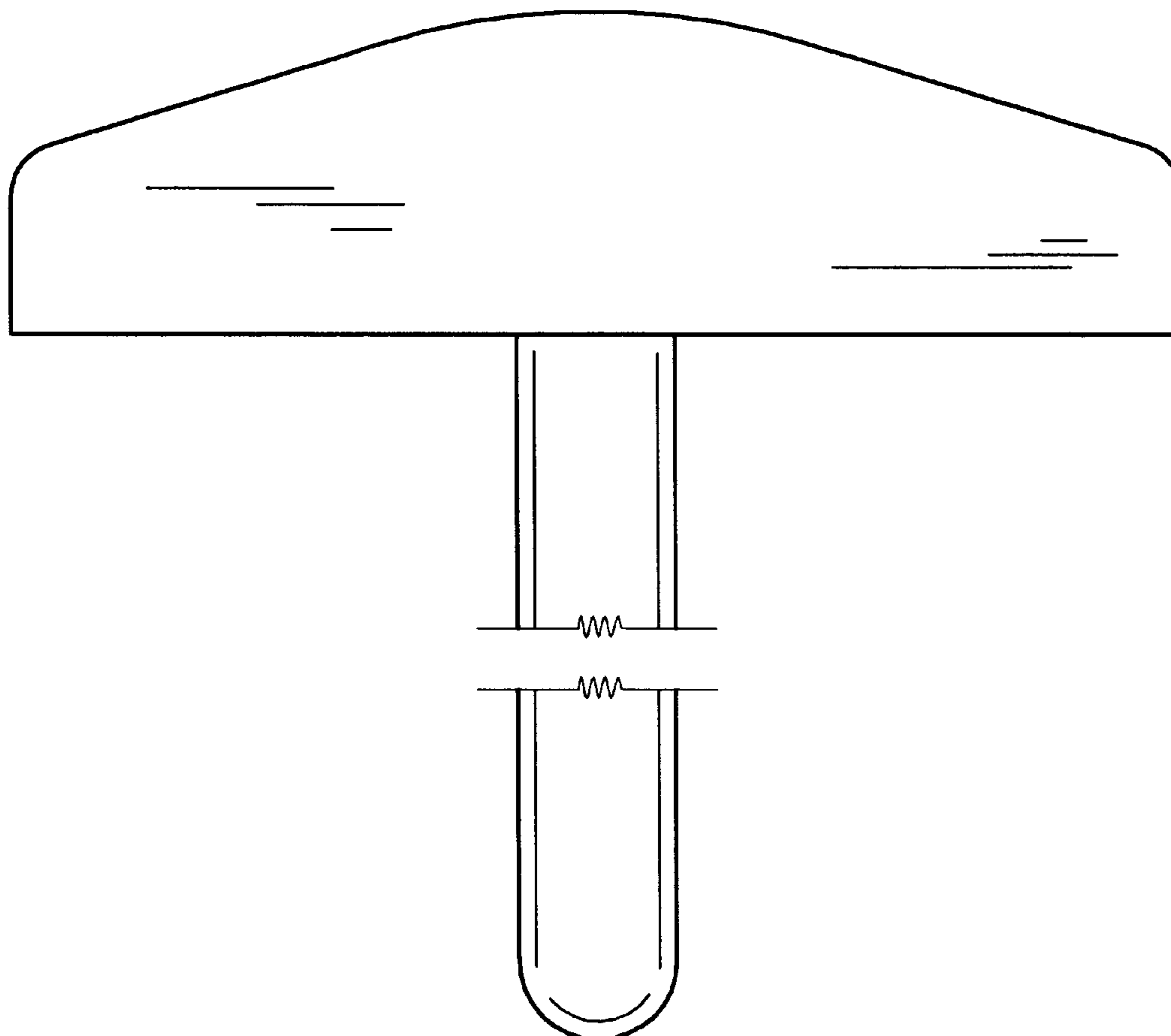
FIG. 4 is a top plan view thereof; and,

FIG. 5 is a bottom plan view thereof.

The phantom blades and arrow indicators on FIGS. 3–5 are intended to illustrate the flexibility of my putty applicator.

The handle is shown broken away in FIG. 1 for ease of illustration.

**1 Claim, 5 Drawing Sheets**



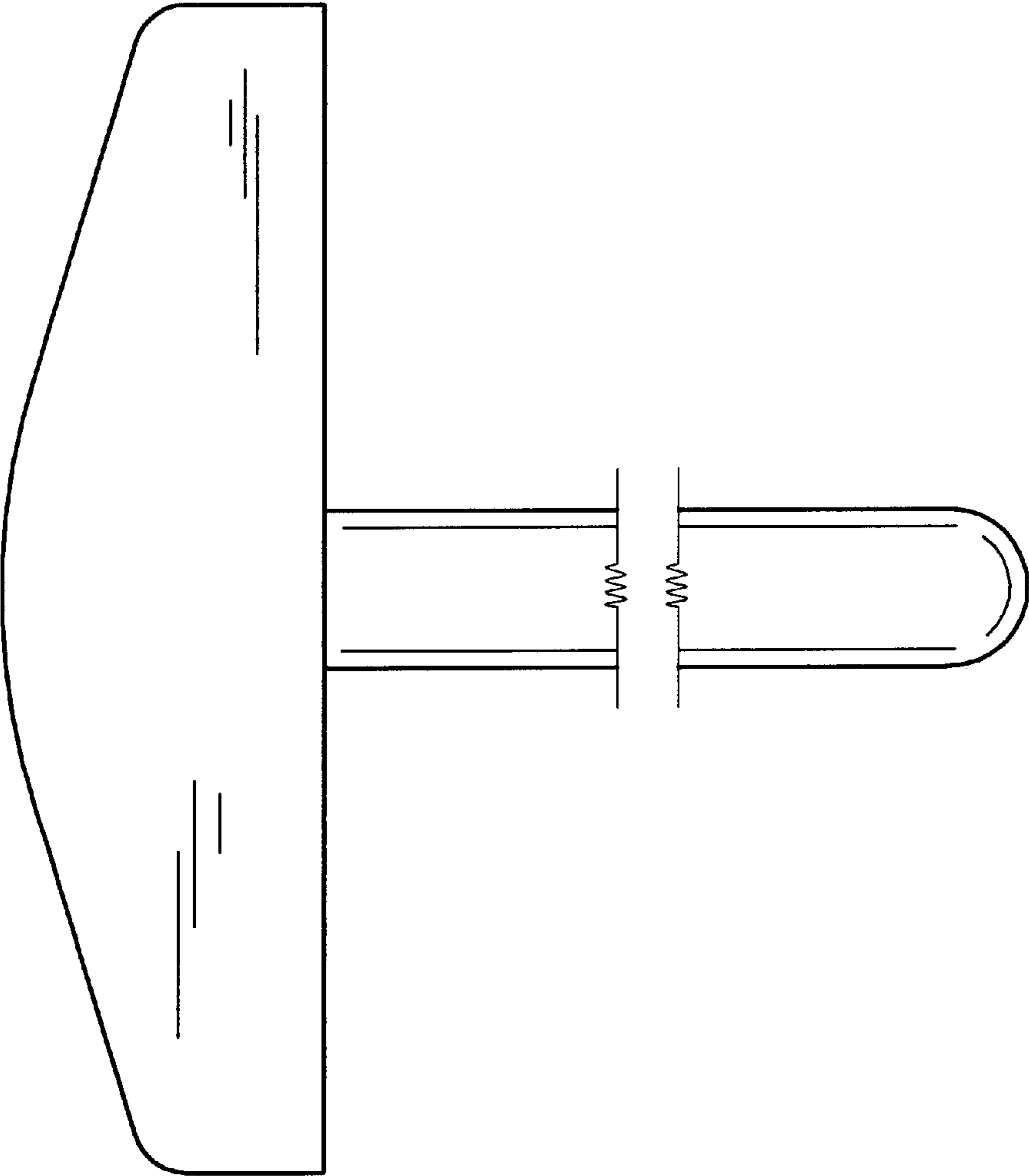


FIG. 1

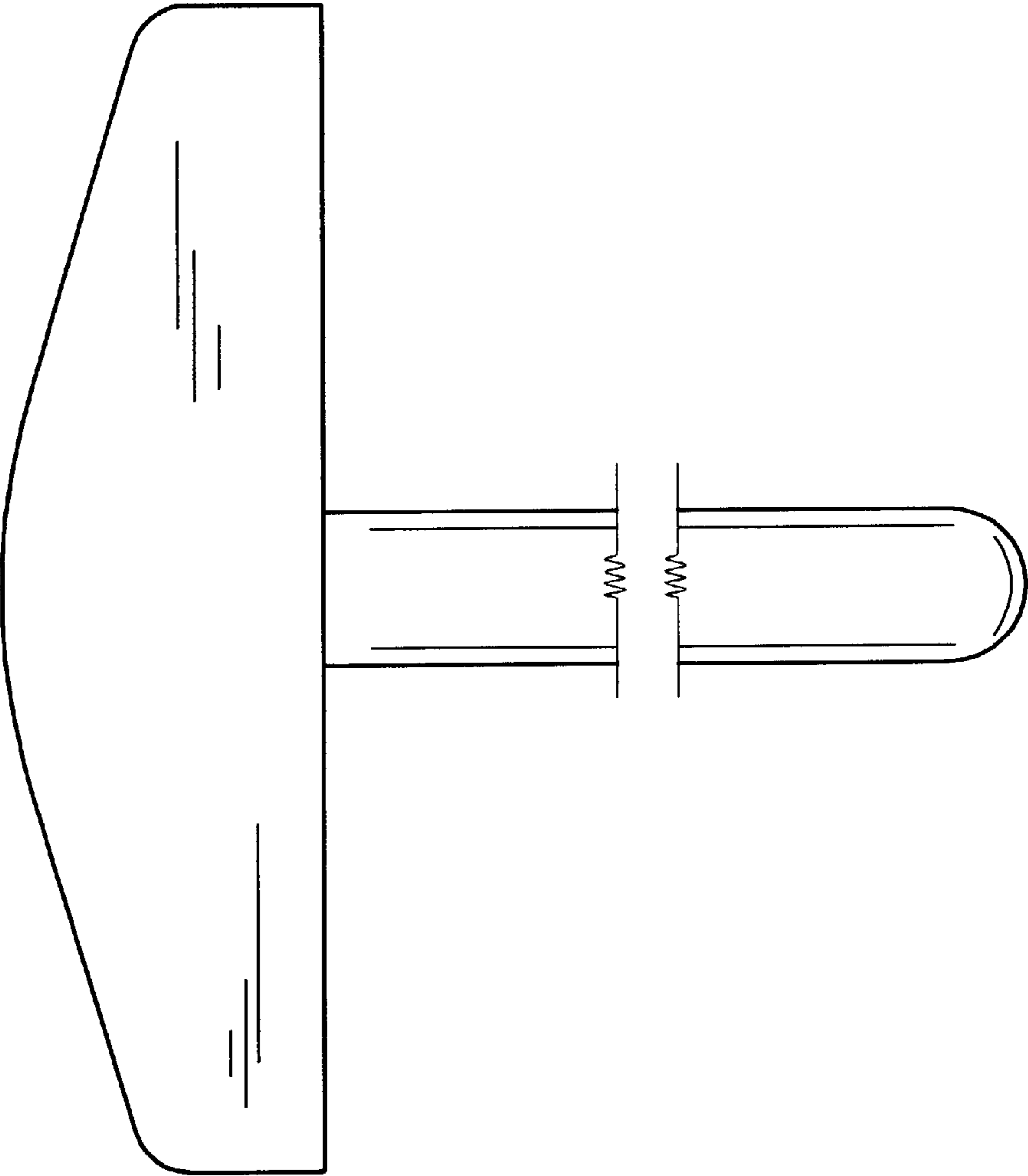


FIG. 2

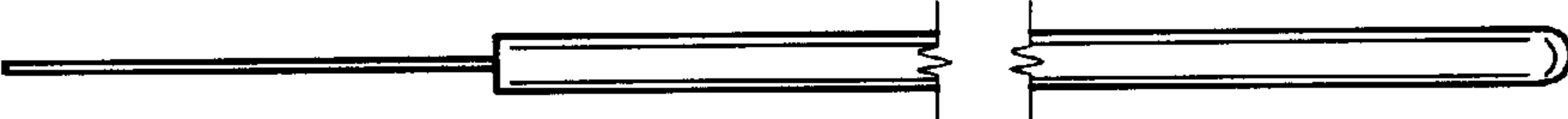


FIG. 3



FIG. 4



FIG. 5