



US00D498649S

(12) **United States Design Patent**
Di Bitonto et al.

(10) **Patent No.:** **US D498,649 S**

(45) **Date of Patent:** **** Nov. 23, 2004**

(54) **FRAME FOR HAND HELD GRATER**

D467,473 S * 12/2002 Kerr D7/678

(75) Inventors: **Anthony Di Bitonto**, Brooklyn, NY (US); **Arsenio Garcia**, Brooklyn, NY (US); **Kevin Lozeau**, Ridge, NY (US)

* cited by examiner

Primary Examiner—Terry A. Wallace
(74) *Attorney, Agent, or Firm*—Seyfarth Shaw LLP

(73) Assignee: **Helen of Troy Limited**, Bridgetown (BB)

(57) **CLAIM**

(**) Term: **14 Years**

The ornamental design for the frame for hand held grater, as shown and described.

(21) Appl. No.: **29/180,945**

DESCRIPTION

(22) Filed: **May 2, 2003**

(51) **LOC (7) Cl.** **07-04**

(52) **U.S. Cl.** **D7/678**

(58) **Field of Search** D7/678, 693, 695, D7/381; 99/495, 510; 241/93, 95, 168, 273.1–273.4; 210/471, 475

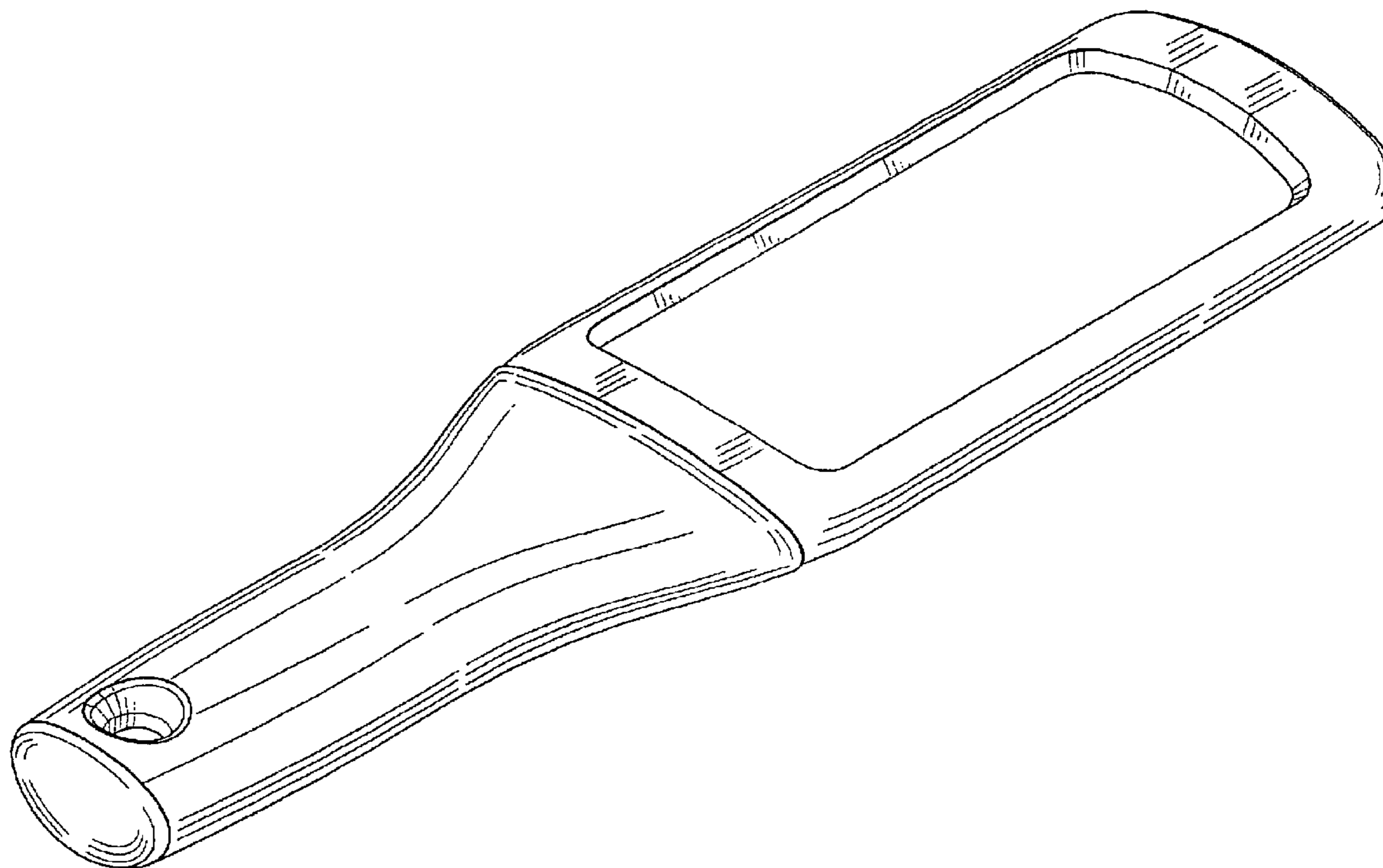
FIG. 1 is a perspective view of the frame for hand held grater showing our new design;
FIG. 2 is a top plan view;
FIG. 3 is a bottom plan view;
FIG. 4 is a side elevational view of one side, the other side being substantially identical;
FIG. 5 is a rear elevational view thereof; and,
FIG. 6 is a front elevational view thereof.

(56) **References Cited**

U.S. PATENT DOCUMENTS

6,318,652 B1 * 11/2001 Liu 241/95

1 Claim, 3 Drawing Sheets



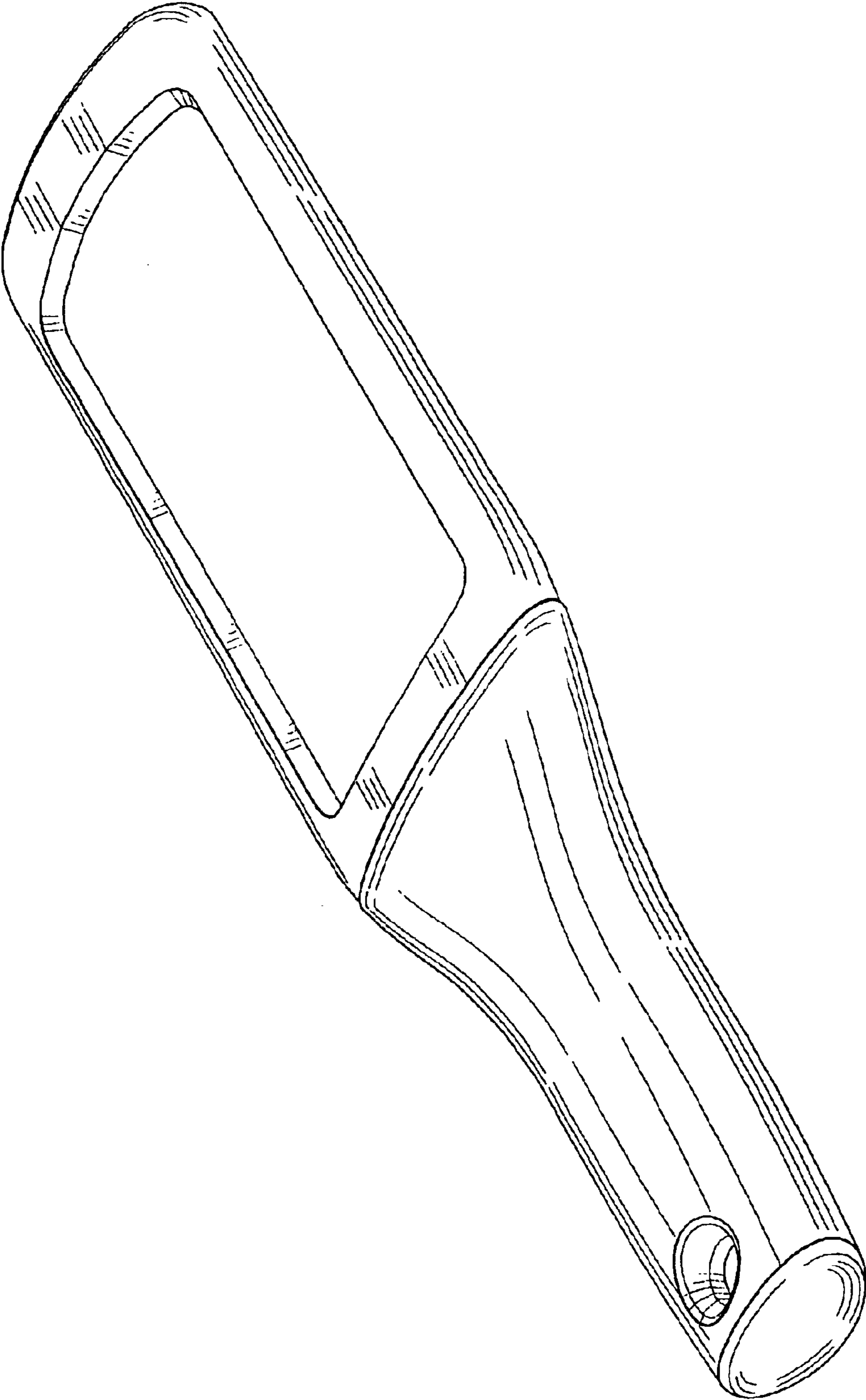


FIG. 1

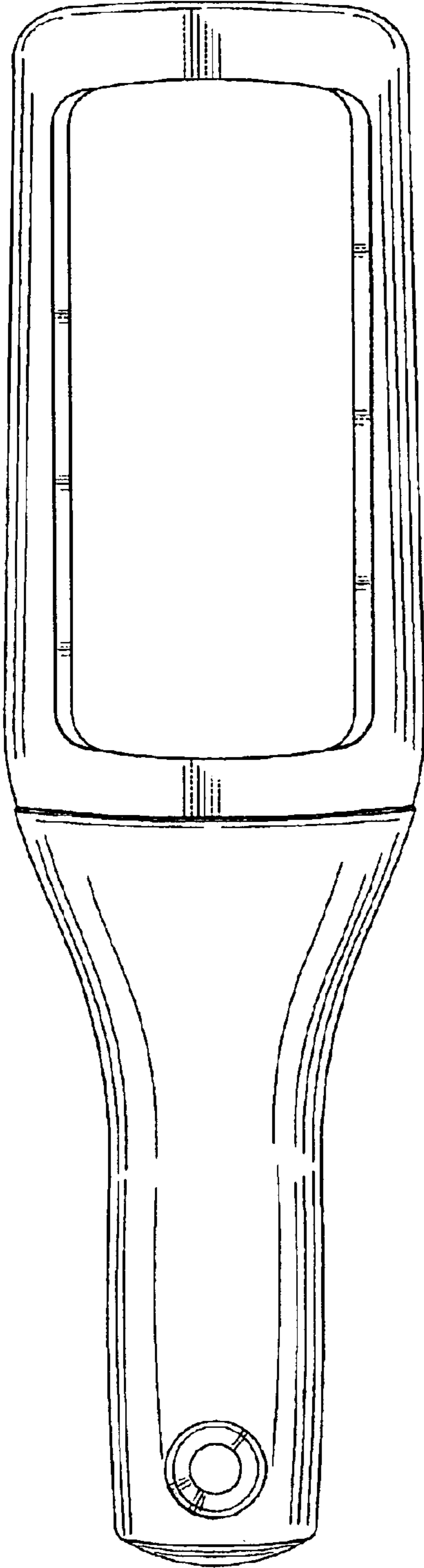


FIG. 2

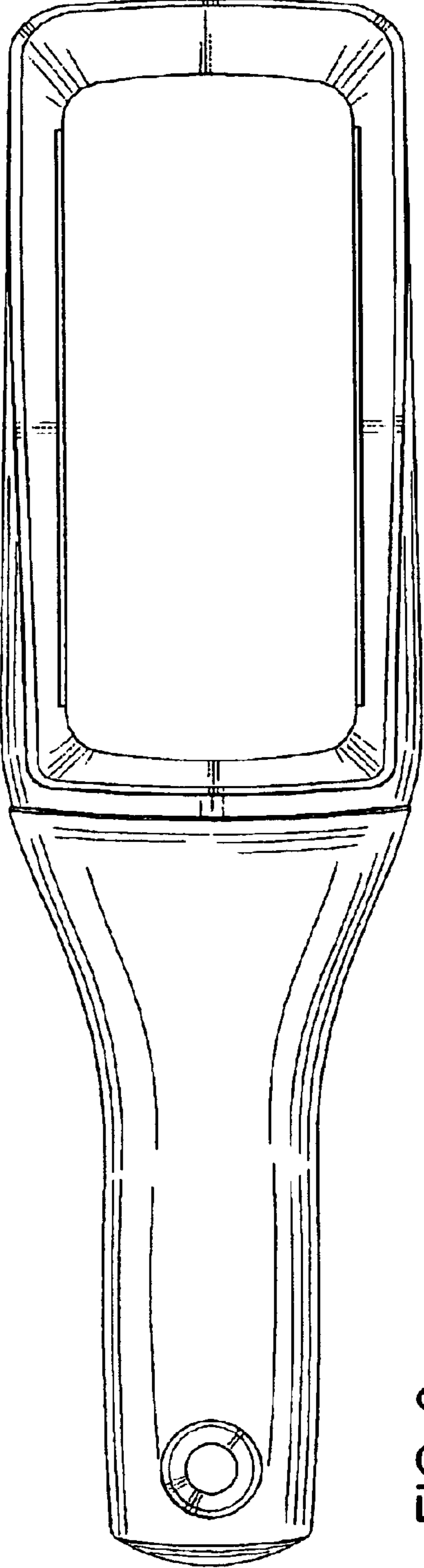


FIG. 3

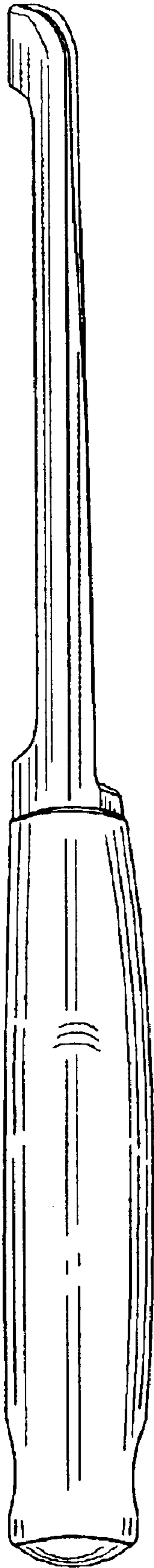


FIG. 4

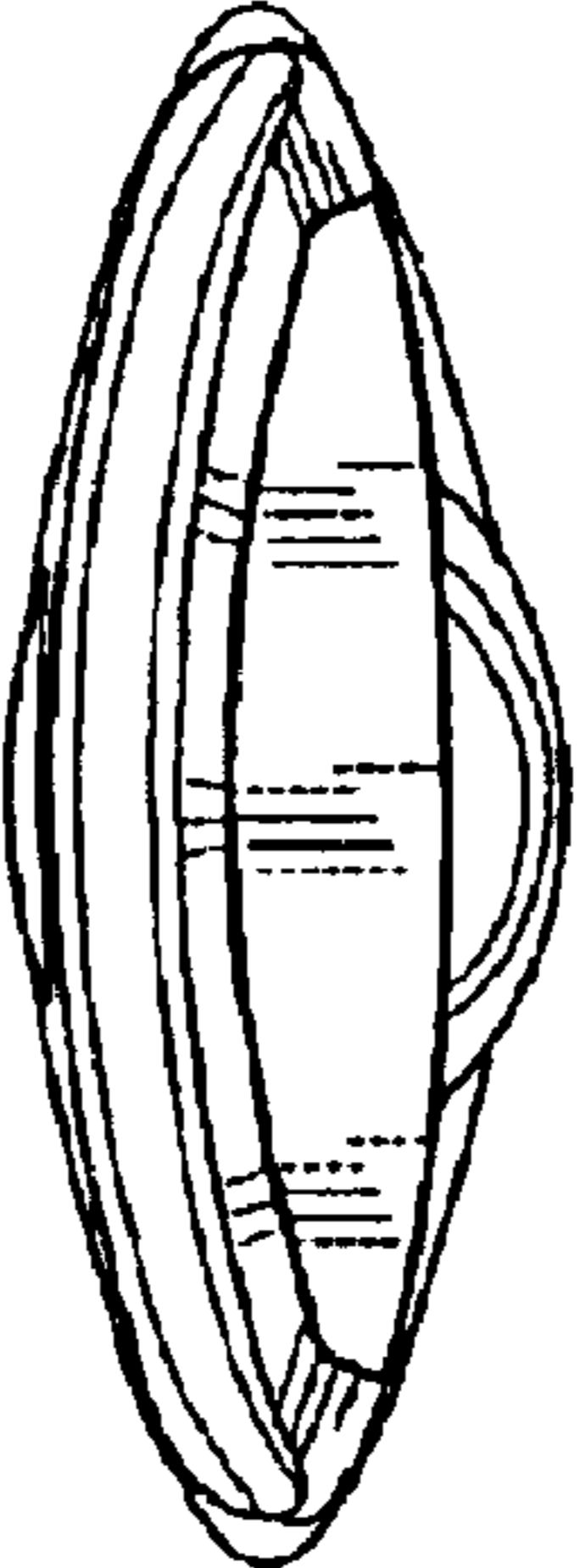


FIG. 6

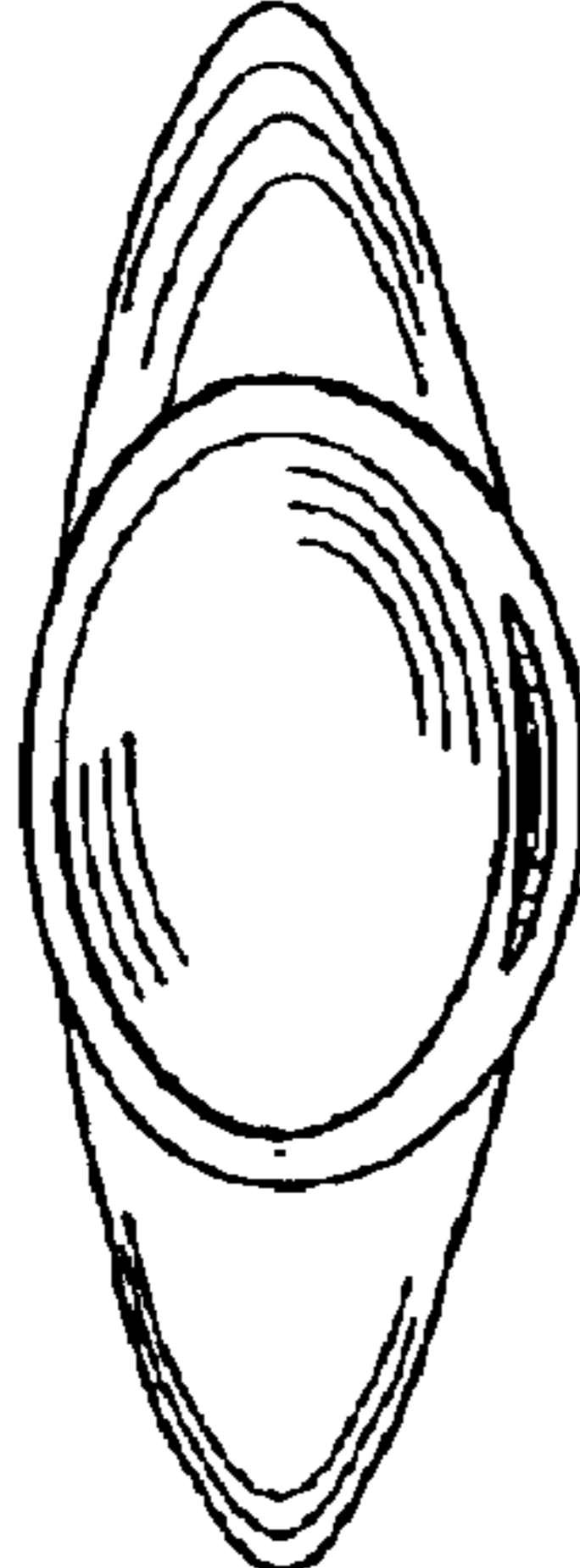


FIG. 5