



US00D498643S

(12) **United States Design Patent** (10) **Patent No.:** **US D498,643 S**
Pryor, Jr. et al. (45) **Date of Patent:** **** Nov. 23, 2004**

(54) **BLENDER BASE**

(75) Inventors: **Ernest B. Pryor, Jr.**, Glen Allen, VA (US); **Nhiem V. Nguyen**, Glen Allen, VA (US); **Jeffrey T. Mauch**, Mechanicsville, VA (US)

(73) Assignee: **Hamilton Beach/Proctor-Silex, Inc.**, Glen Allen, VA (US)

(**) Term: **14 Years**

(21) Appl. No.: **29/186,563**

(22) Filed: **Jul. 17, 2003**

(51) **LOC (7) Cl.** **31-00**

(52) **U.S. Cl.** **D7/386**

(58) **Field of Search** D7/376-386, 412, D7/413, 665; 99/509-511; 241/30, 33, 37.5, 101.01-101.2, 166-169.1, 274-278.2, 285.1-285.3, 291; 366/64-67, 98-100, 129, 130, 197-201, 205-207, 219-221, 241-254, 279-282, 341-343

(56) **References Cited**

U.S. PATENT DOCUMENTS

2,940,738 A	6/1960	Posener et al.
4,487,509 A	12/1984	Boyce
4,889,248 A	12/1989	Bennett
5,347,205 A	9/1994	Piland
D370,151 S	5/1996	McLinden et al.
D373,504 S	9/1996	Leverrier
D387,948 S	12/1997	Leverrier
D394,986 S	6/1998	Lallemand
5,779,358 A	7/1998	Bevington
D396,990 S	8/1998	Leverrier
D412,809 S	8/1999	Toro et al.
D415,384 S	10/1999	Littmann

D417,581 S	12/1999	Barthelemy et al.
D417,815 S	12/1999	Endres
D433,595 S	11/2000	Naft et al.
D434,596 S	* 12/2000	Naft et al. D7/378
6,193,407 B1	2/2001	Kubicz
D439,797 S	4/2001	Planca et al.
D444,344 S	* 7/2001	Barthelemy et al. D7/378
D445,635 S	7/2001	Gort-Barten
D448,967 S	10/2001	Planca et al.
D453,443 S	2/2002	Hoare et al.
D466,362 S	12/2002	Moore
2002/0012288 A1	1/2002	Masip et al.

OTHER PUBLICATIONS

Photographs of Hamilton Beach Blender.

* cited by examiner

Primary Examiner—Caron D. Veynar

(74) *Attorney, Agent, or Firm*—Akin Gump Strauss Hauer & Feld, LLP

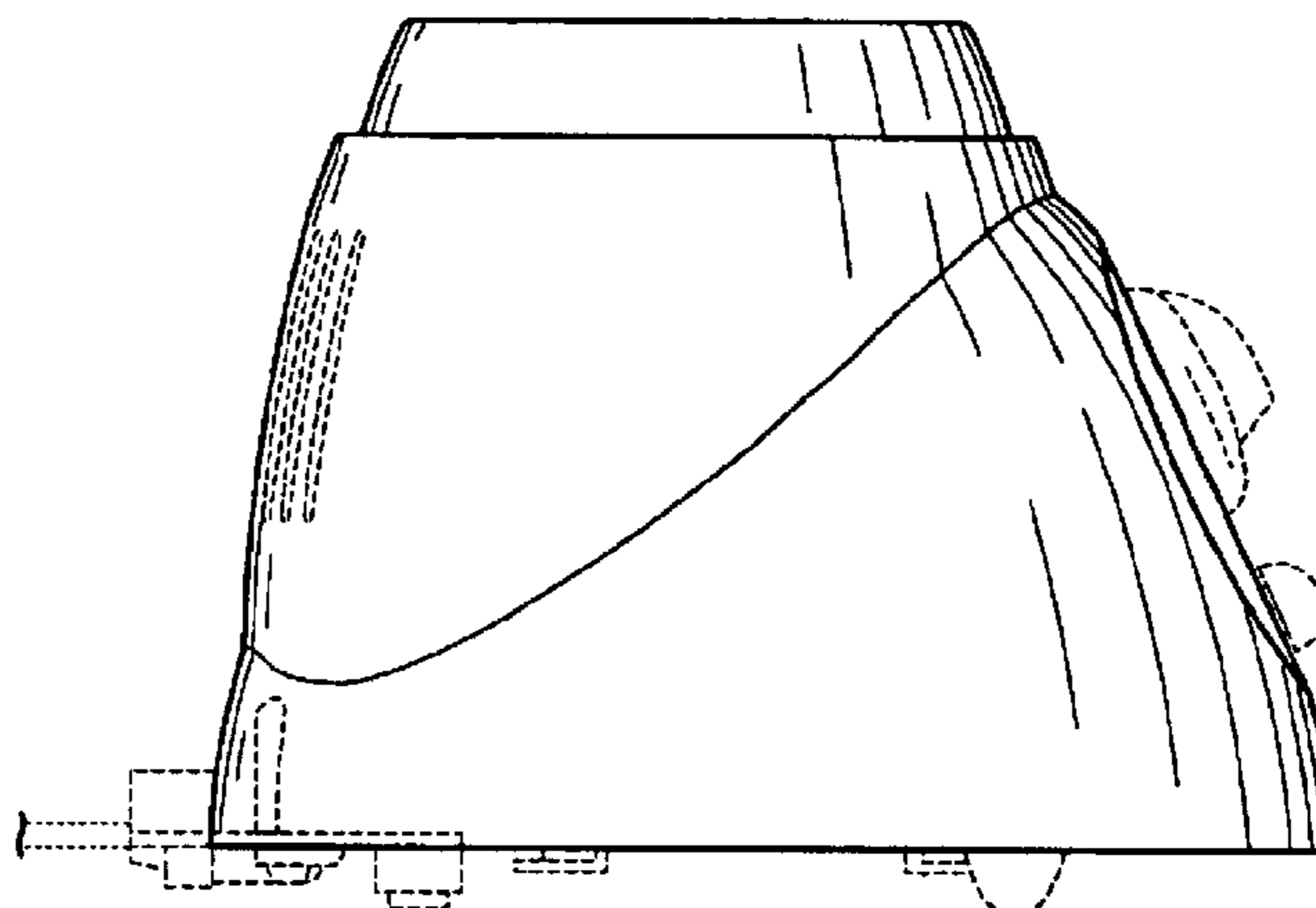
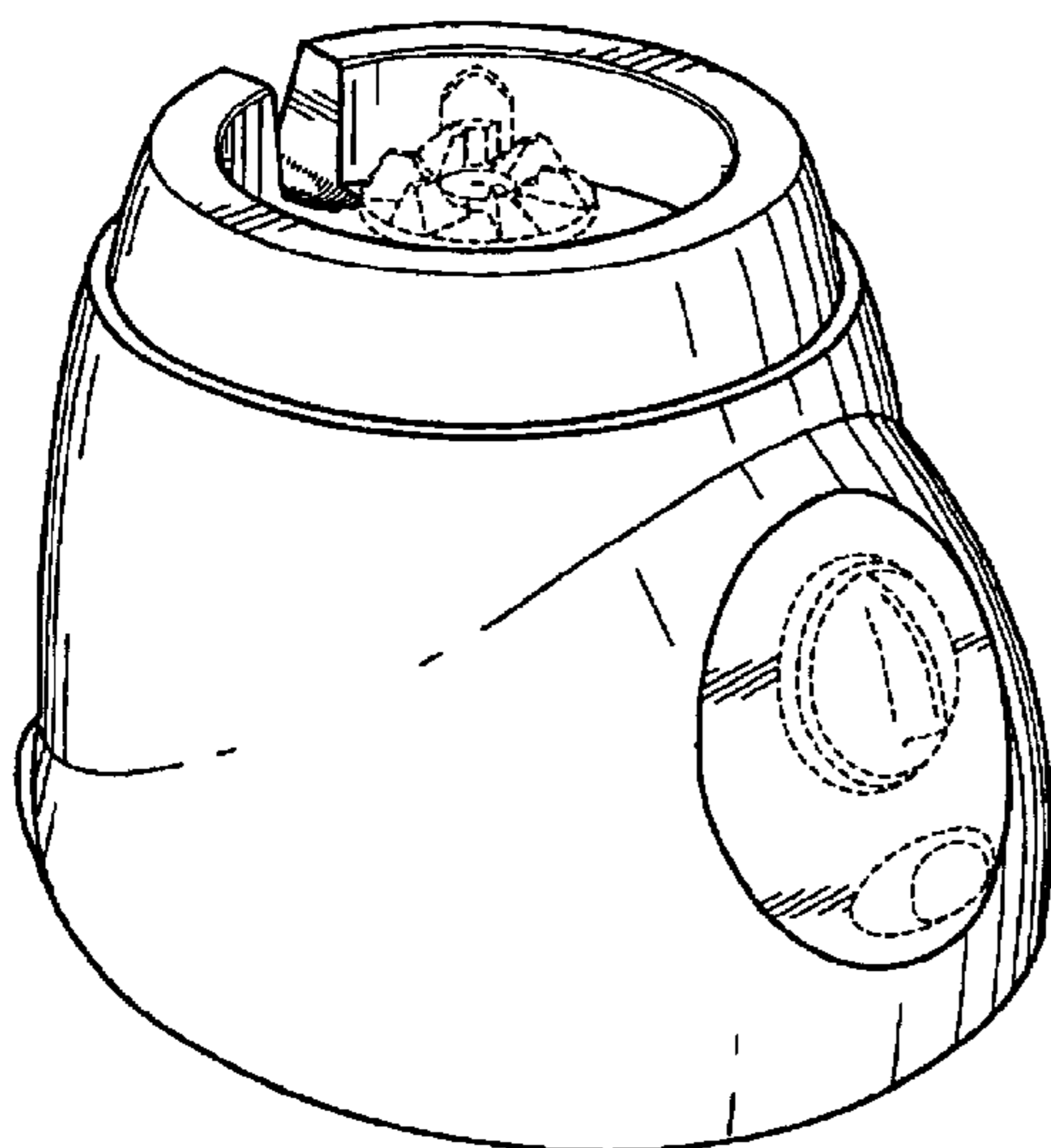
(57) **CLAIM**

The ornamental design for a blender base, as shown and described.

DESCRIPTION

FIG. 1 is a top perspective view of blender base in accordance with our new design; FIG. 2 is a top plan view thereof; FIG. 3 is a front elevational view thereof; FIG. 4 is a left-side elevational view thereof; FIG. 5 is a right-side elevational view thereof; FIG. 6 is a rear elevational view thereof; and, FIG. 7 is a bottom plan view thereof. The broken lines in the figures are for illustrative purposes only and form no part of the claimed design.

1 Claim, 4 Drawing Sheets



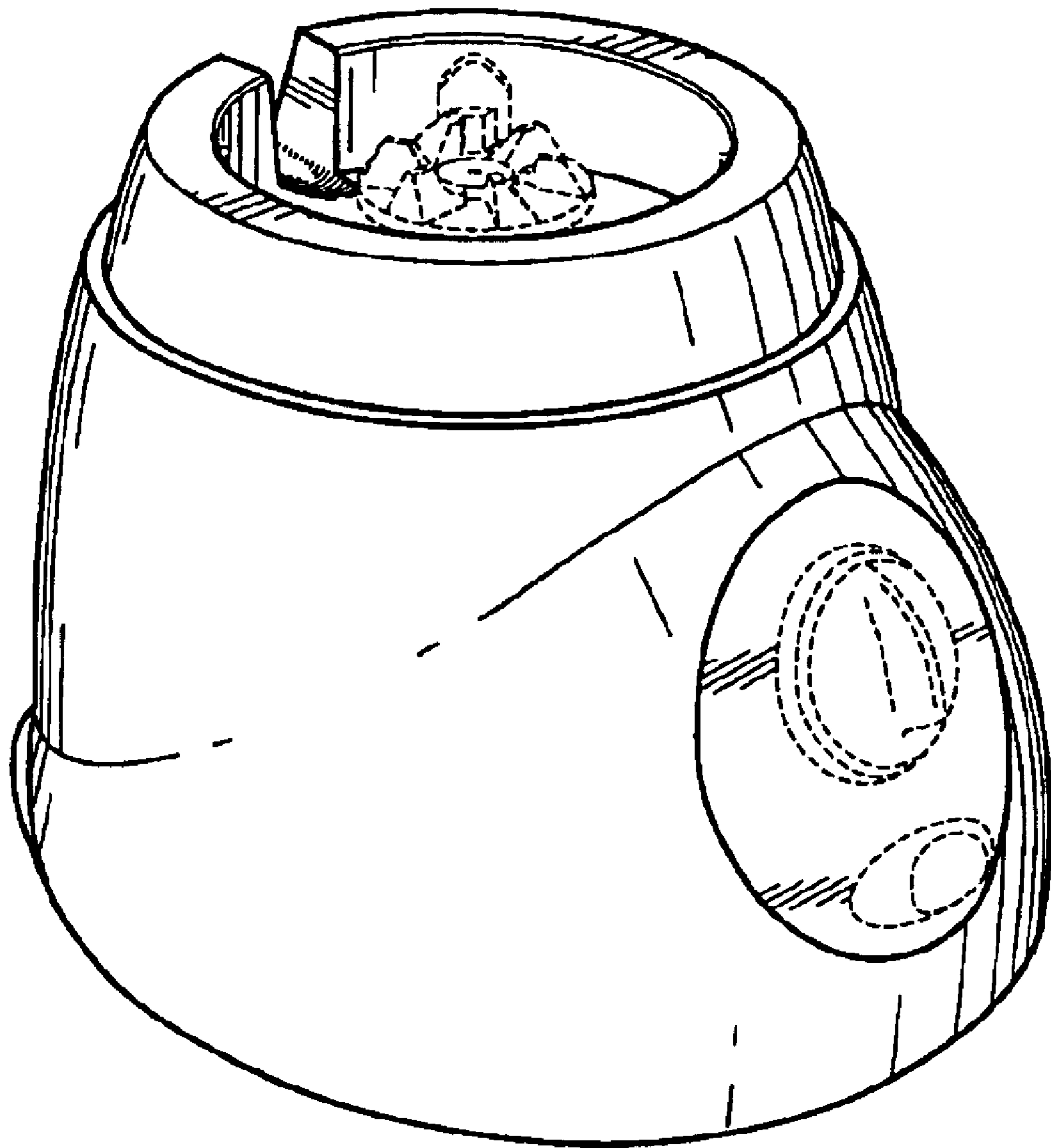


FIG. 1

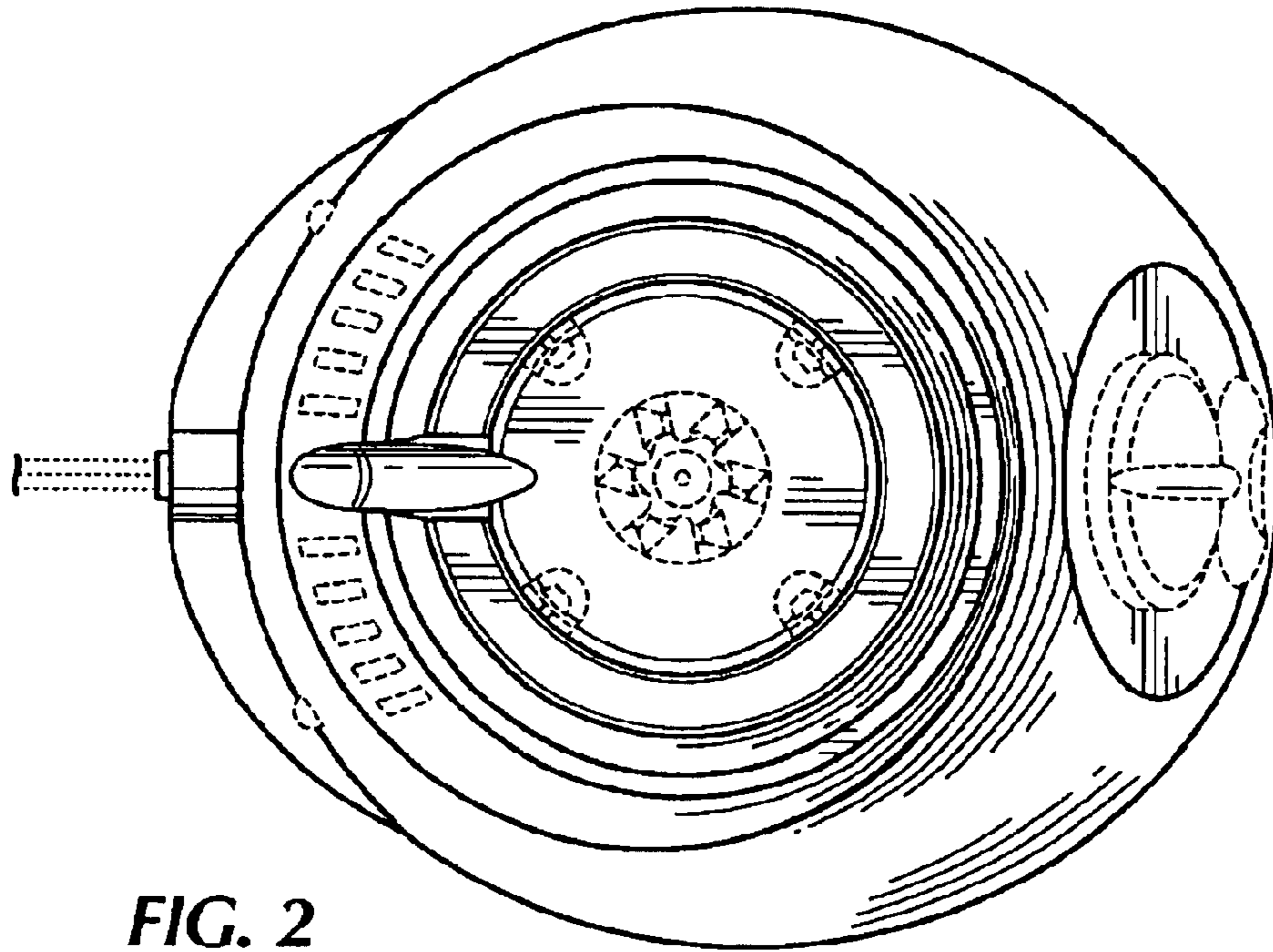


FIG. 2

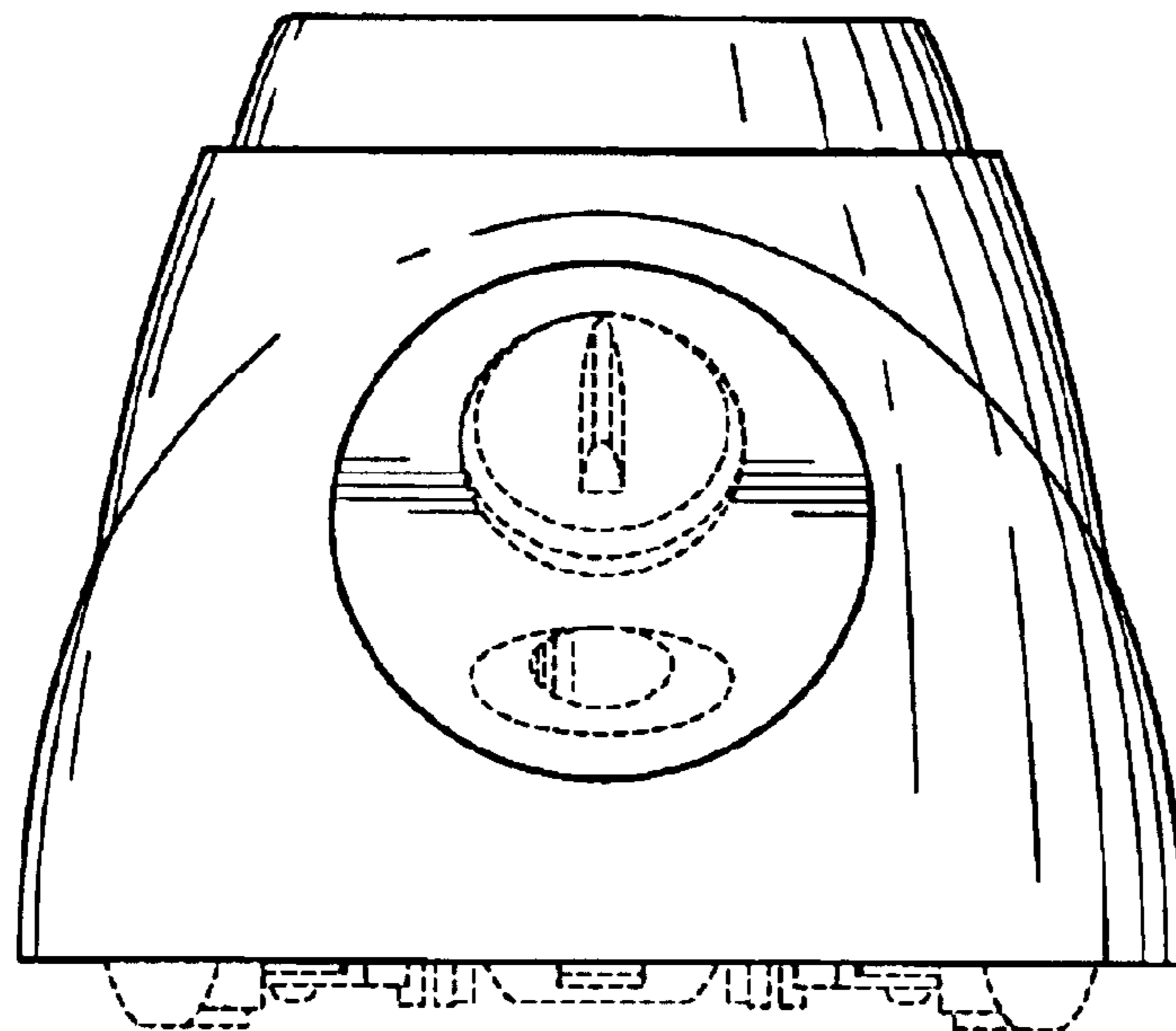


FIG. 3

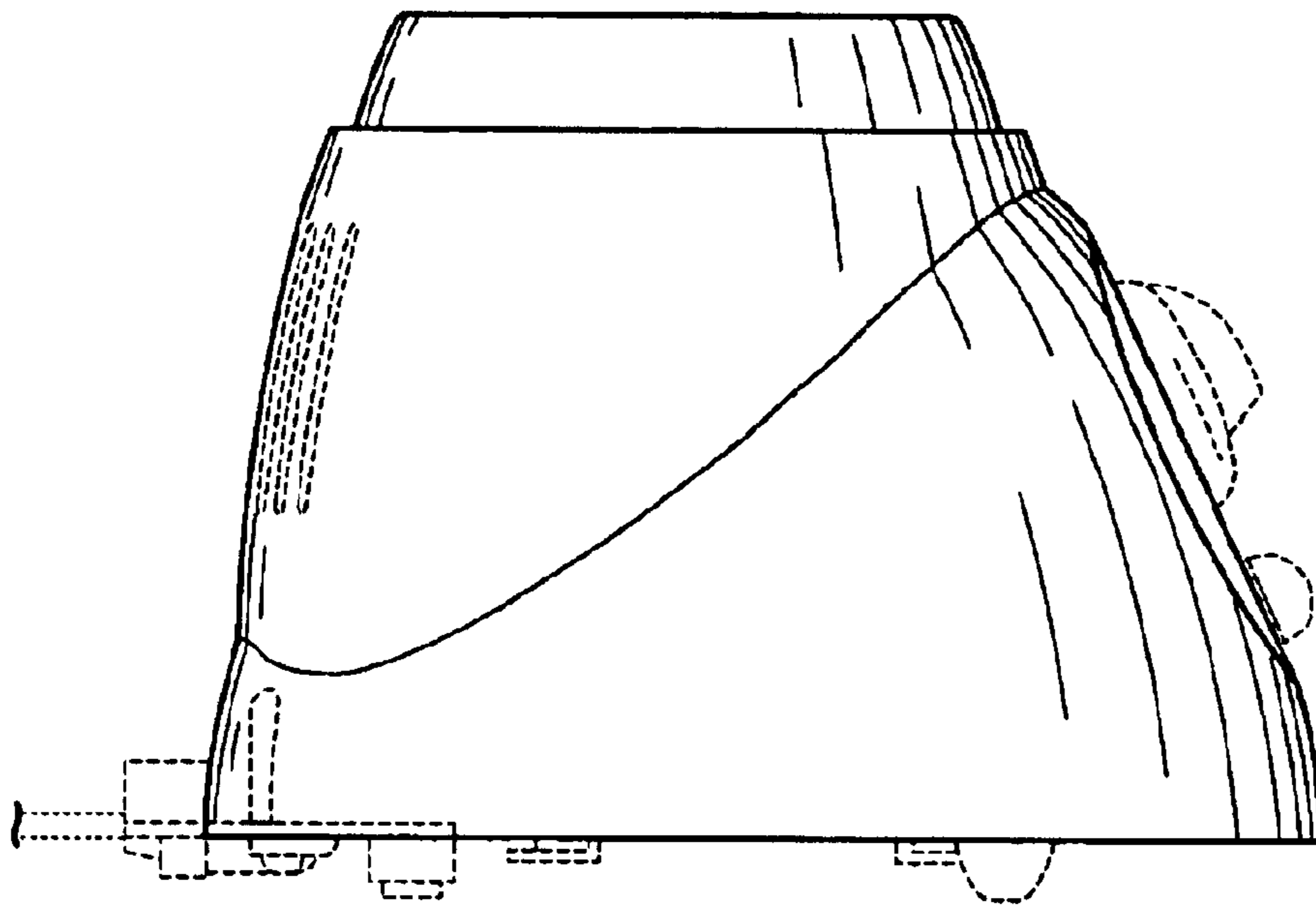


FIG. 4

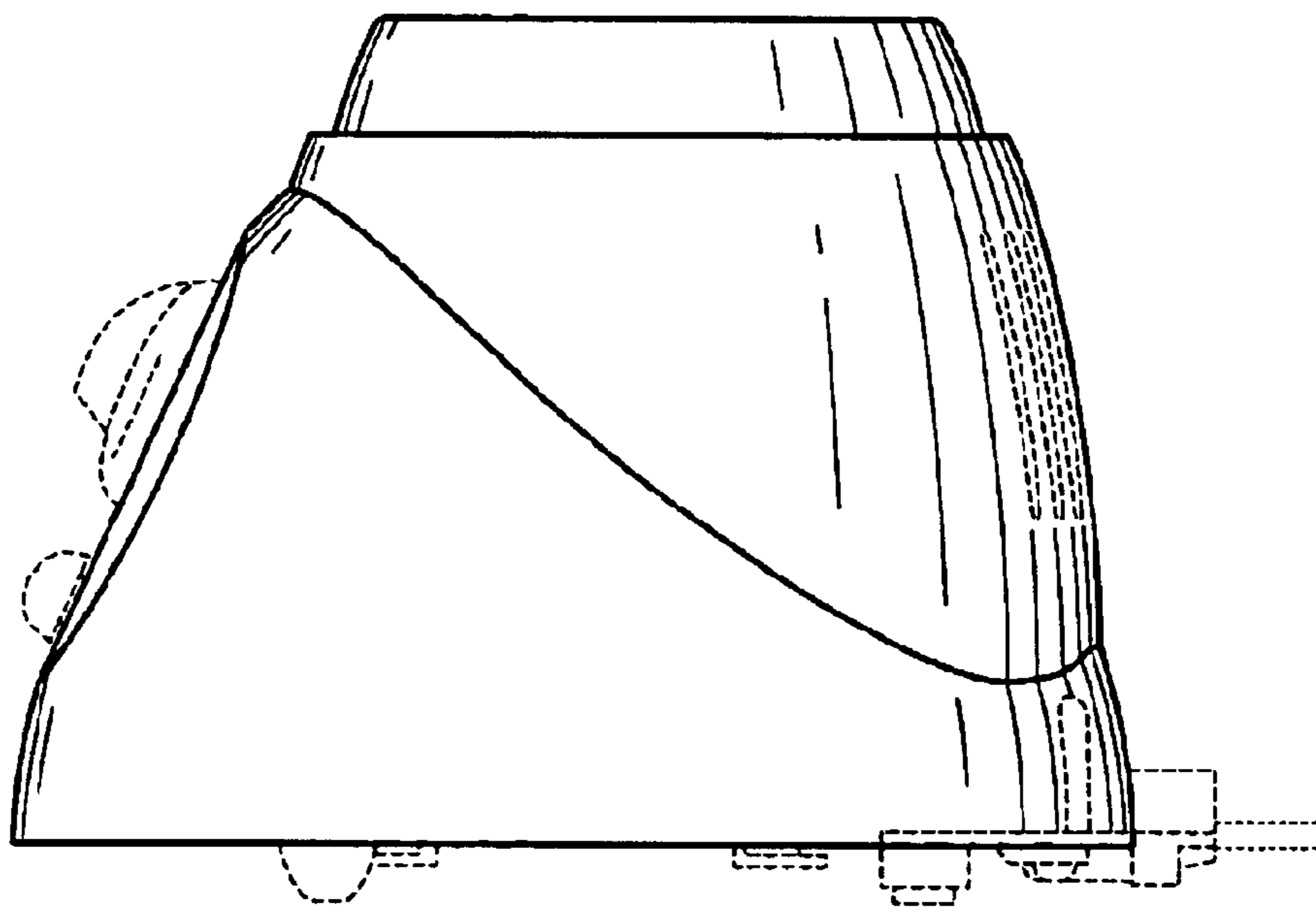


FIG. 5

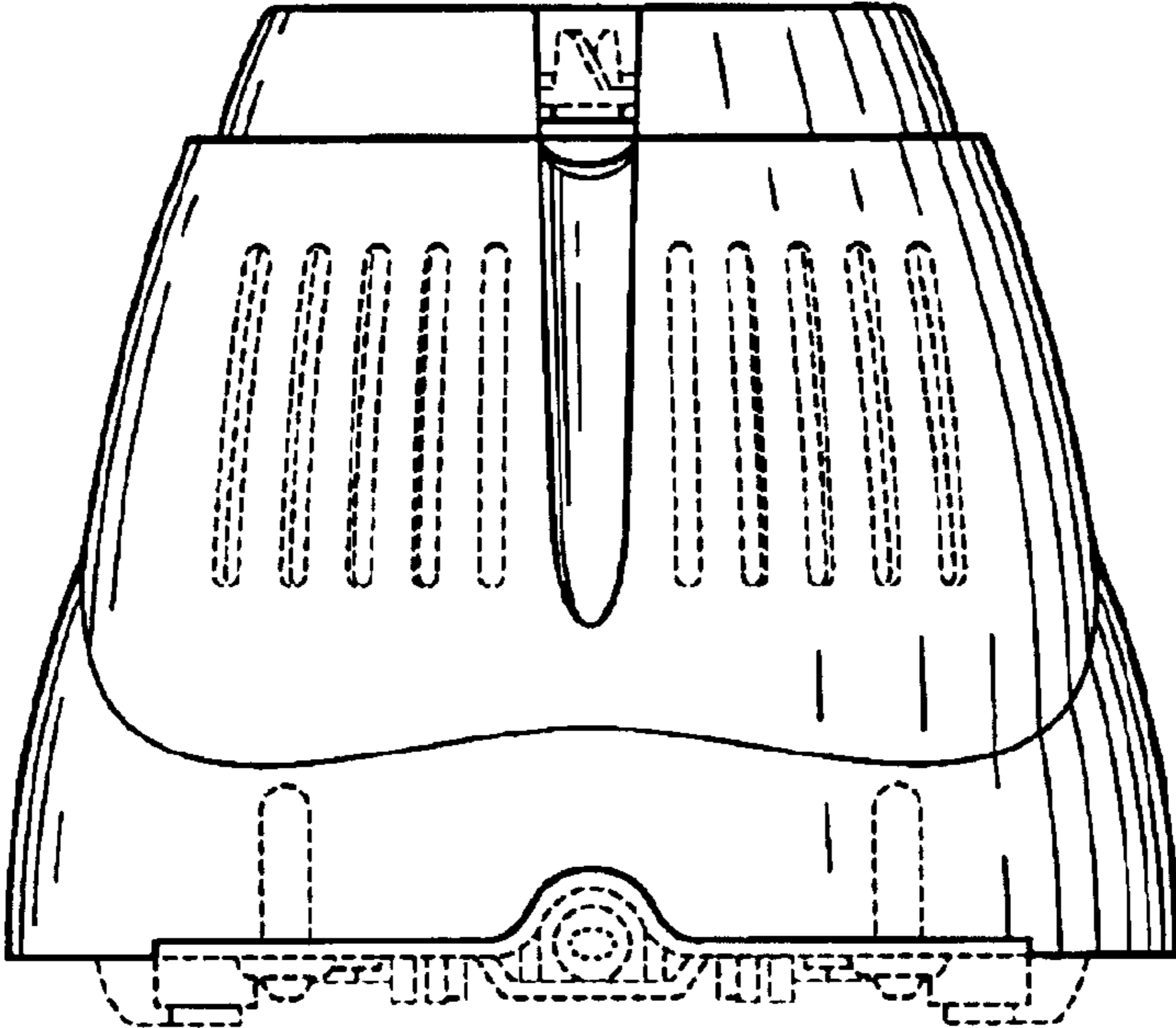


FIG. 6

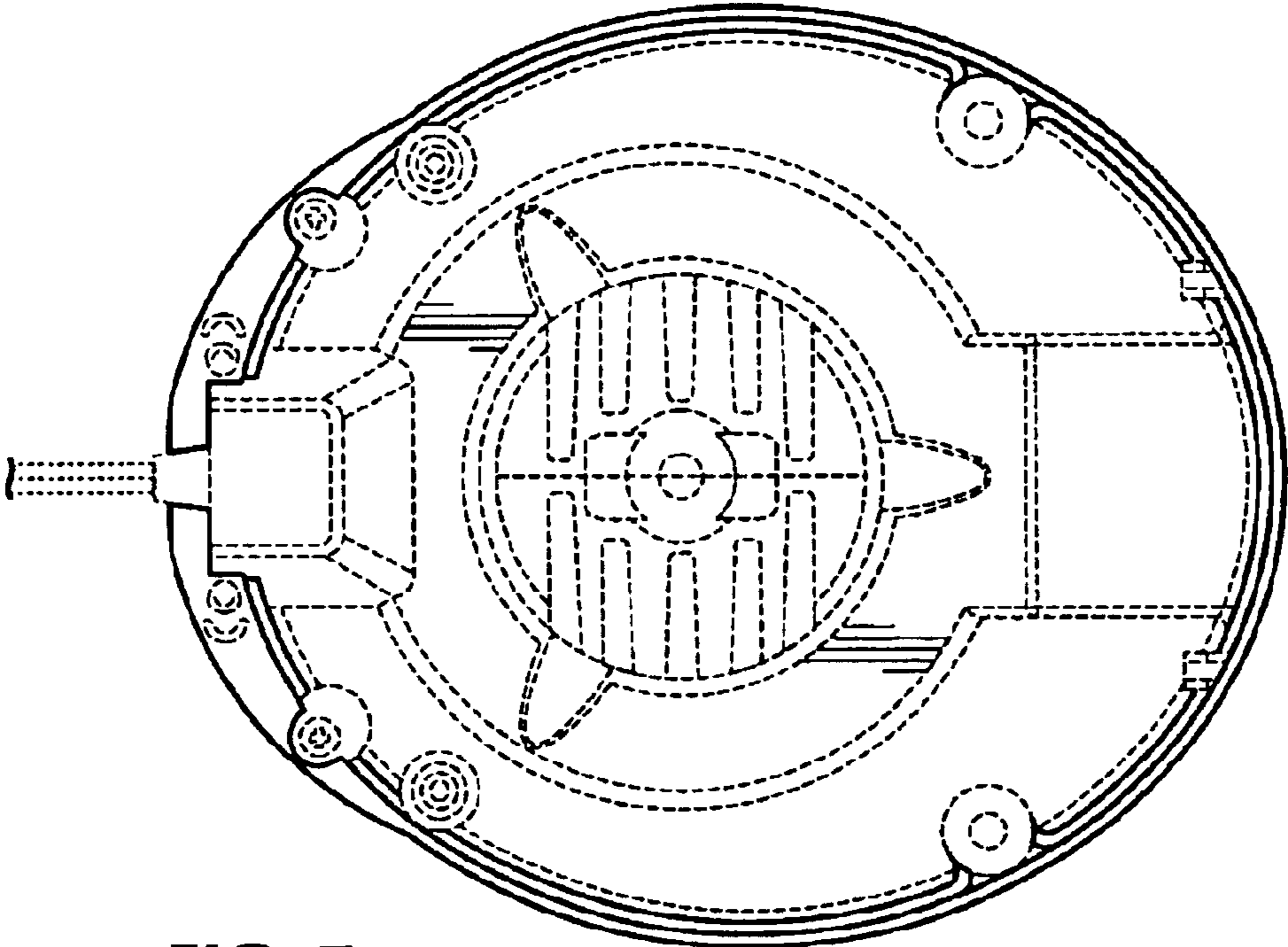


FIG. 7