



US00D498642S

(12) **United States Design Patent**  
**Huang**

(10) **Patent No.: US D498,642 S**

(45) **Date of Patent: \*\* Nov. 23, 2004**

(54) **FRUIT JUICER**

(76) Inventor: **Hsin-Fu Huang**, No. 39, Lane 281,  
Ta-Tung Rd., Lin 9, Ta-Tung Village,  
Kuei-Shan, Taoyuan Hsien (TW)

(\*\*) Term: **14 Years**

(21) Appl. No.: **29/189,908**

(22) Filed: **Sep. 12, 2003**

(51) **LOC (7) Cl. .... 31-00**

(52) **U.S. Cl. .... D7/378; D7/665**

(58) **Field of Search** ..... D7/376-386, 412,  
D7/413, 665; 99/509-511; 241/30, 33, 37.5,  
101.01-101.2, 166-169.1, 274-278.2, 285.1-285.3,  
291; 366/64-67, 98-100, 129, 130, 197-201,  
205-207, 219-221, 241-254, 279-282,  
341-343

(56) **References Cited**

**U.S. PATENT DOCUMENTS**

D200,494 S \* 3/1965 Bezark, Jr. .... D7/386

D228,698 S \* 10/1973 Barnard, Jr. et al. .... D7/378  
D484,357 S \* 12/2003 Seum et al. .... D7/378

\* cited by examiner

*Primary Examiner*—Caron D. Veynar

(57) **CLAIM**

The ornamental design for fruit juicer, as shown and described.

**DESCRIPTION**

FIG. 1 is a perspective view of fruit juicer showing my new design;

FIG. 2 is a front elevational view thereof;

FIG. 3 is a rear elevational view thereof;

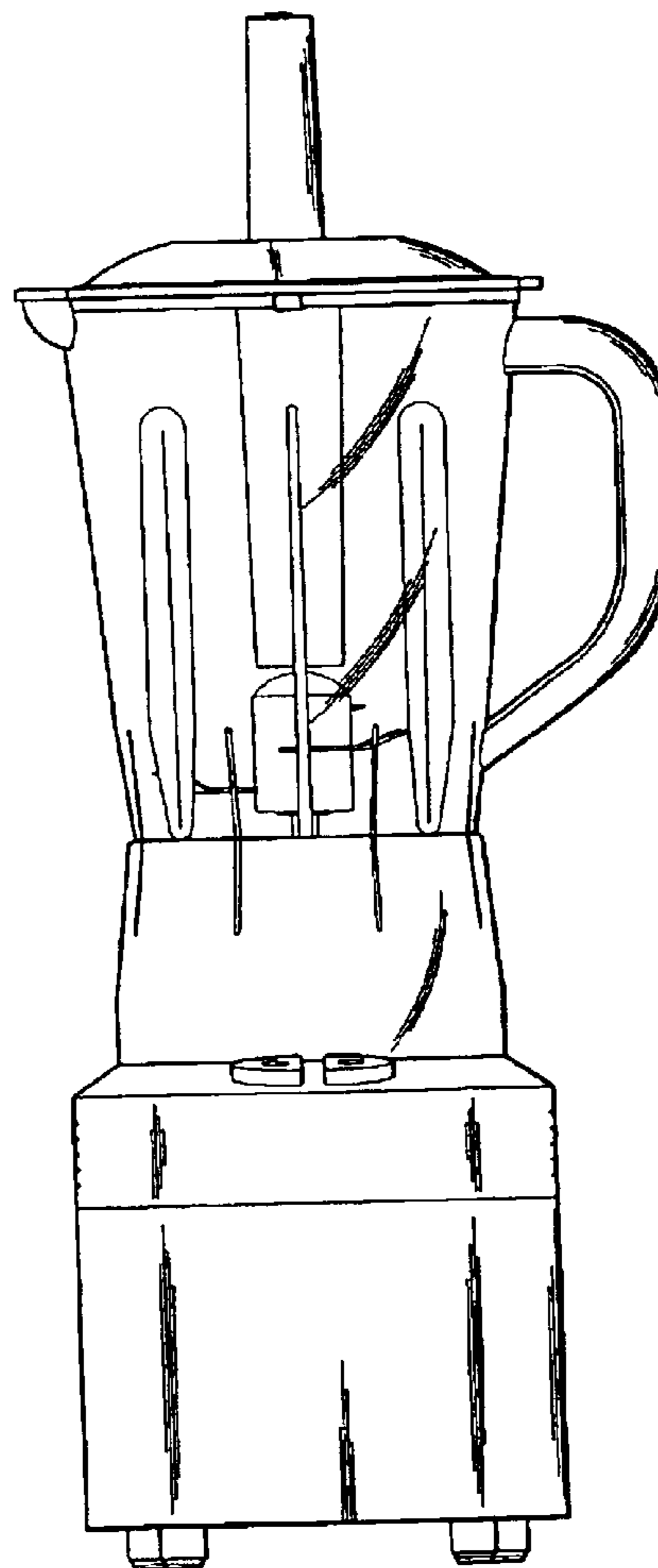
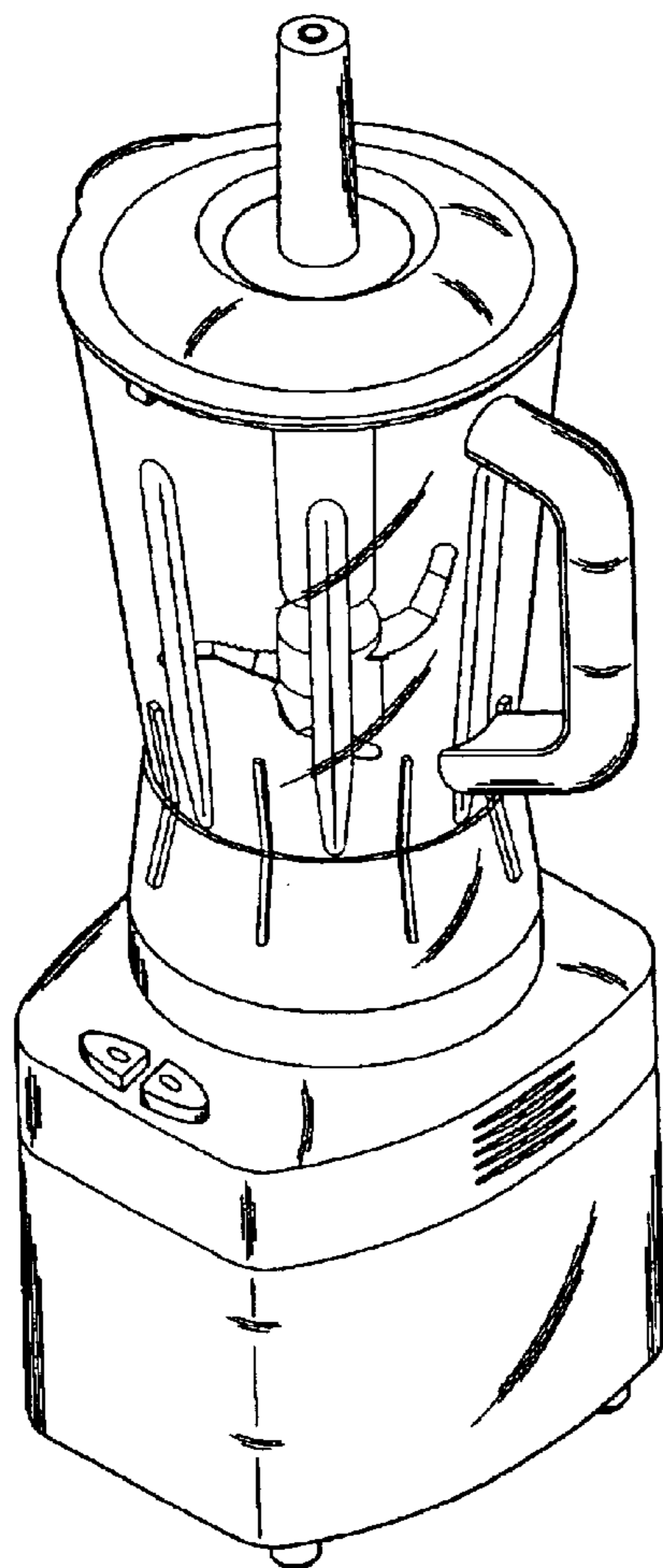
FIG. 4 is a left side elevational view thereof;

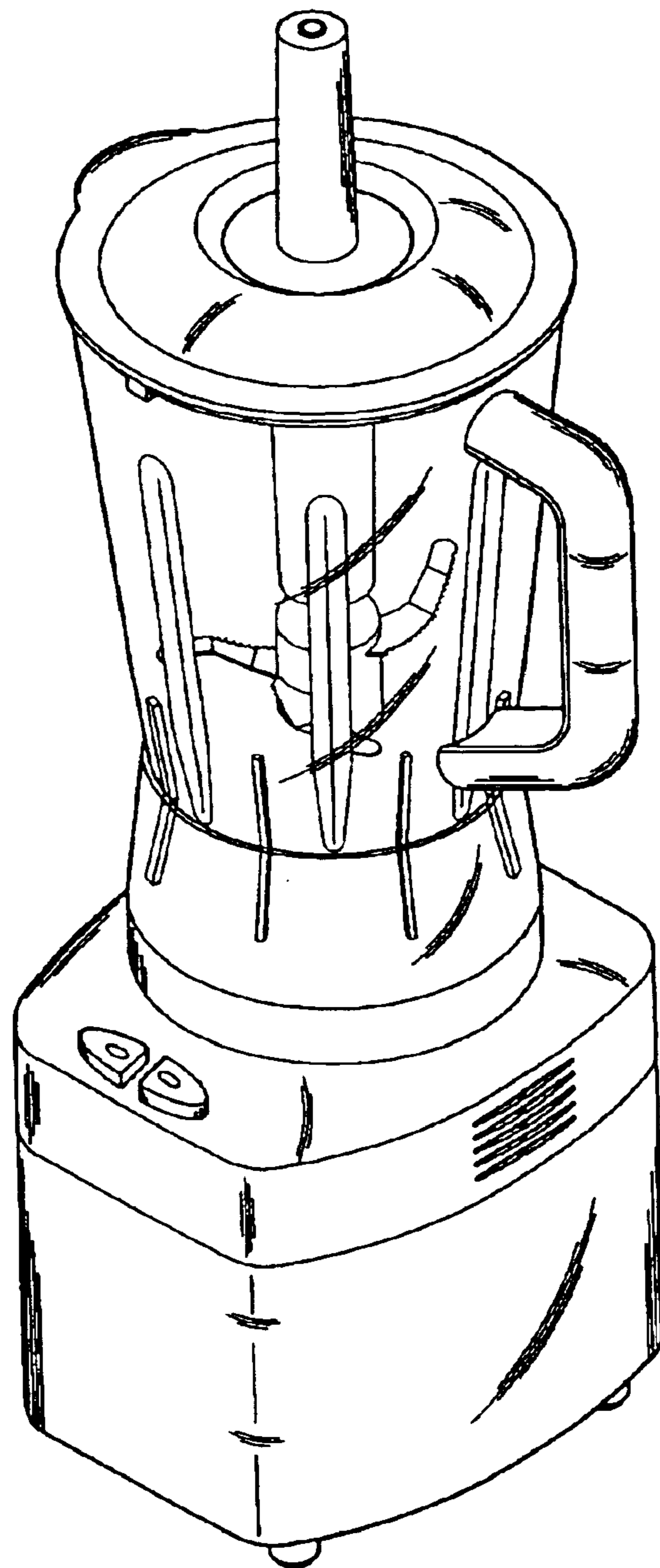
FIG. 5 is right side elevational view thereof;

FIG. 6 is a top view thereof; and,

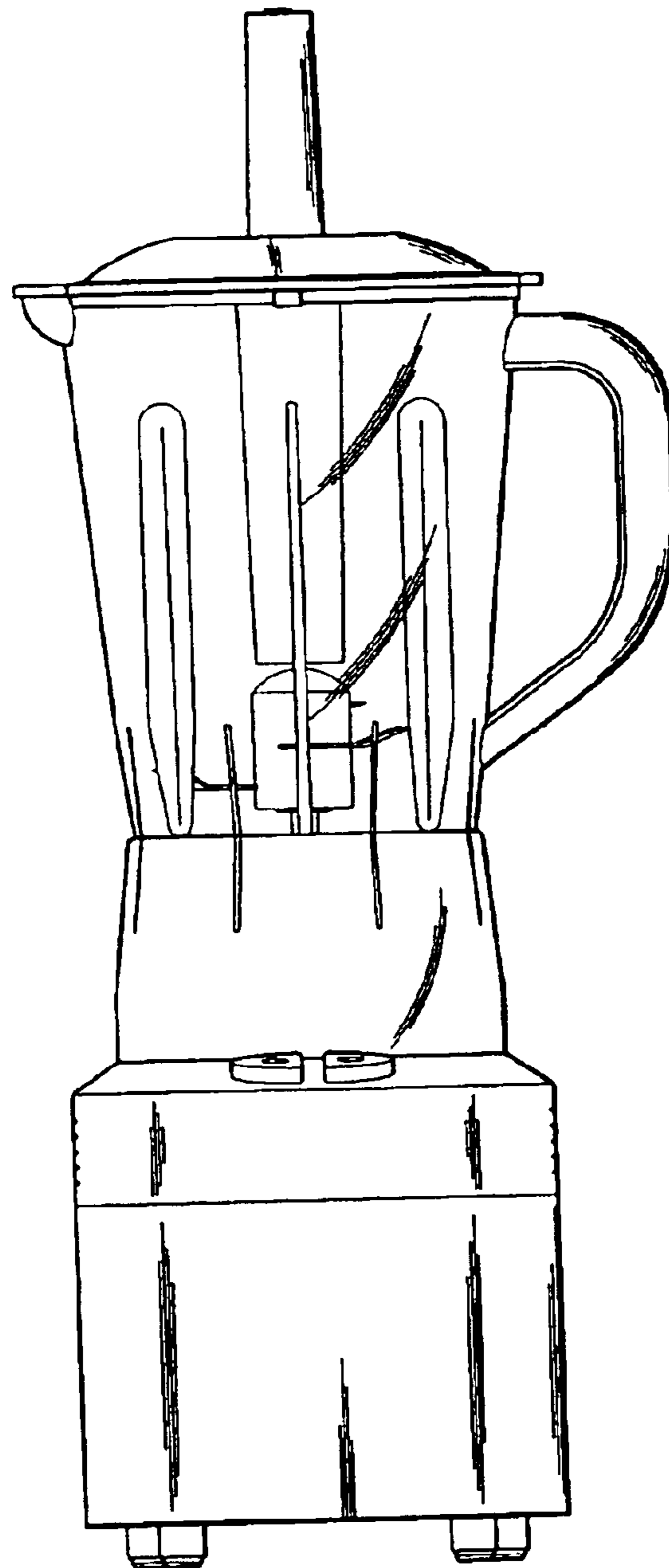
FIG. 7 is a bottom view thereof.

**1 Claim, 7 Drawing Sheets**

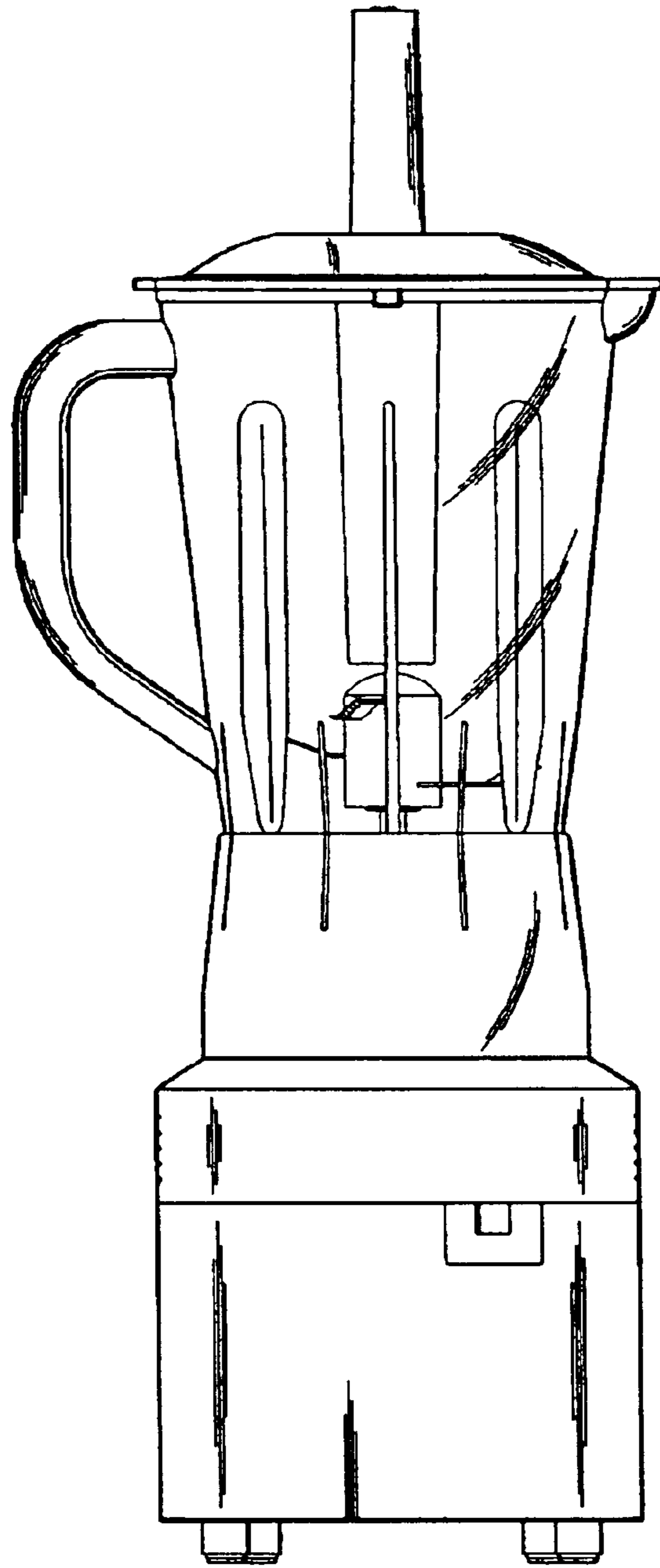




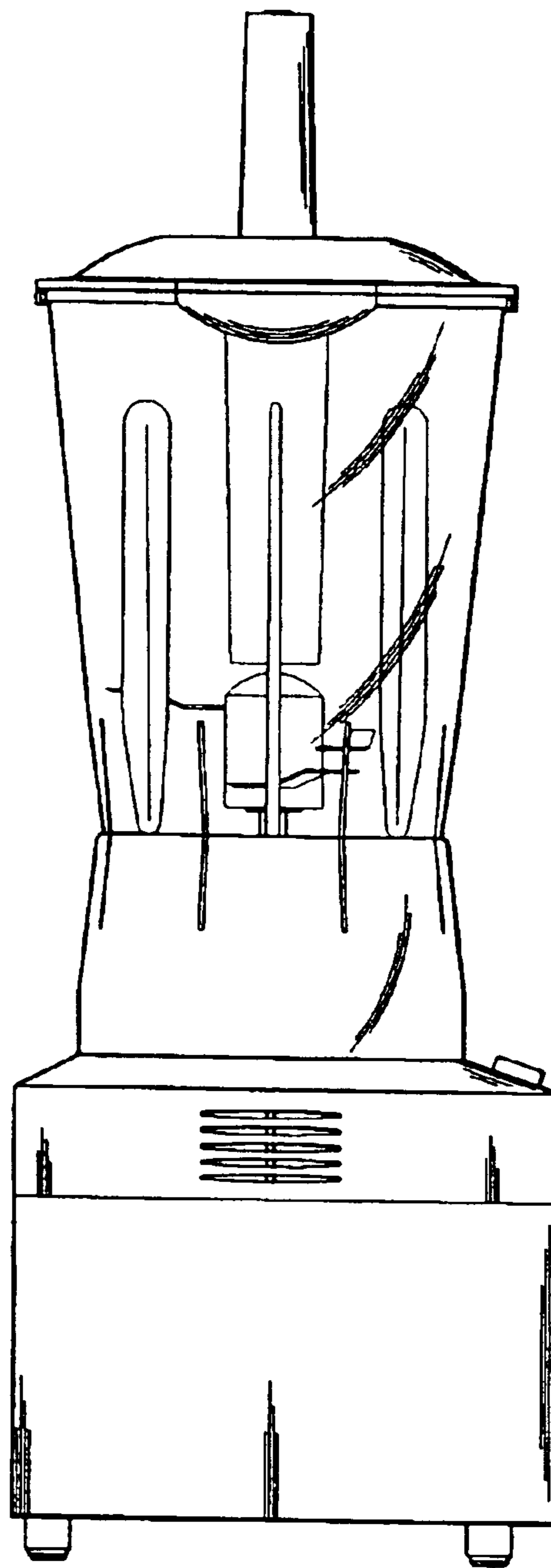
**FIG. 1**



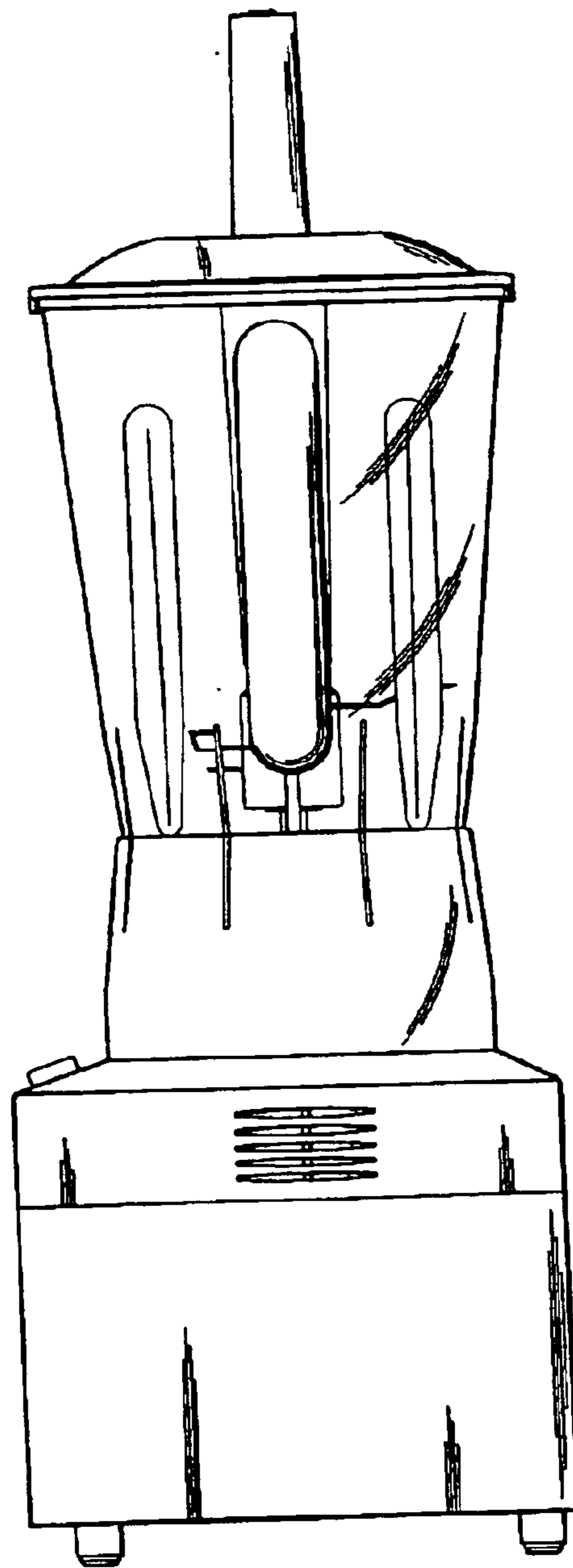
**FIG. 2**



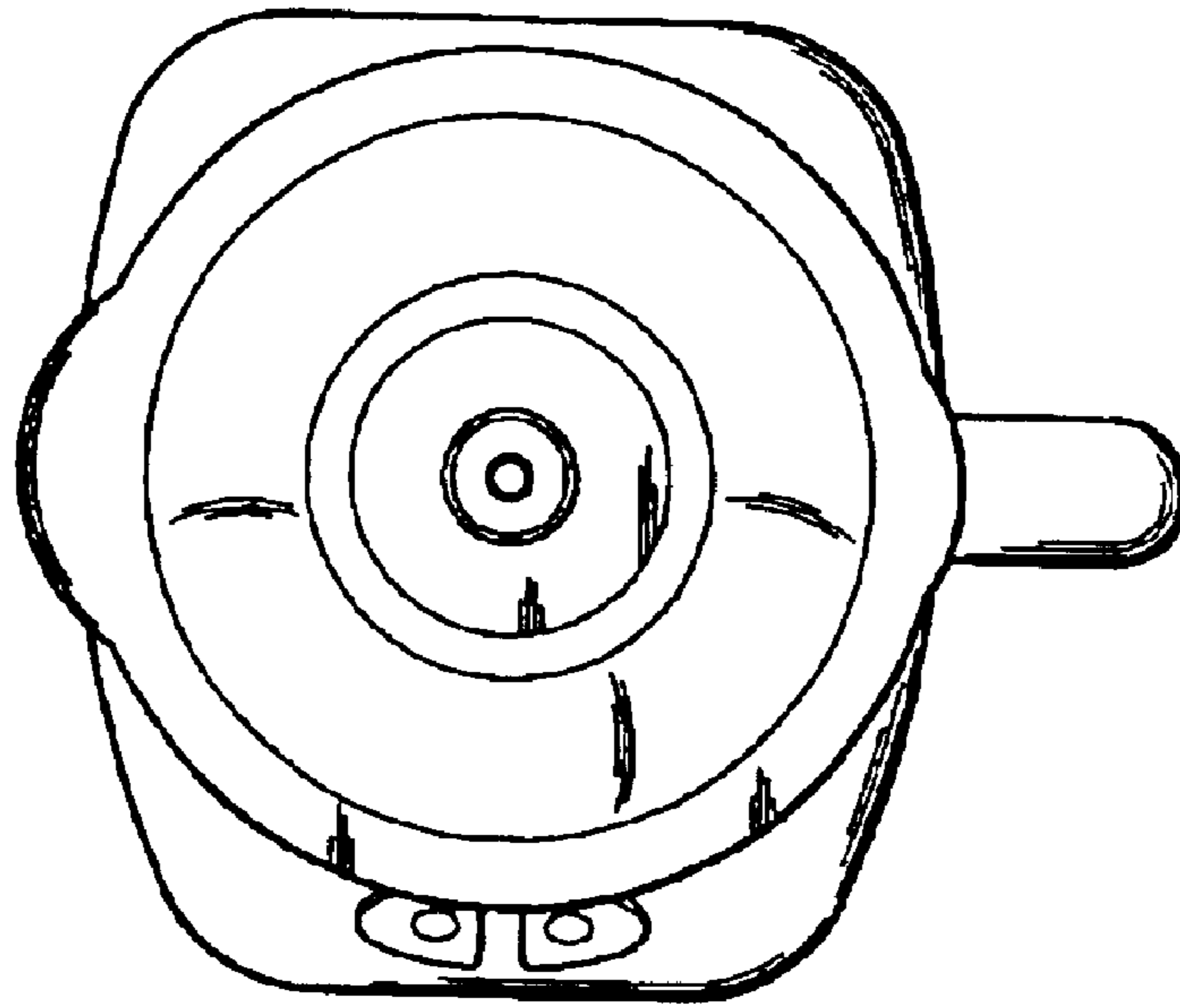
**FIG. 3**



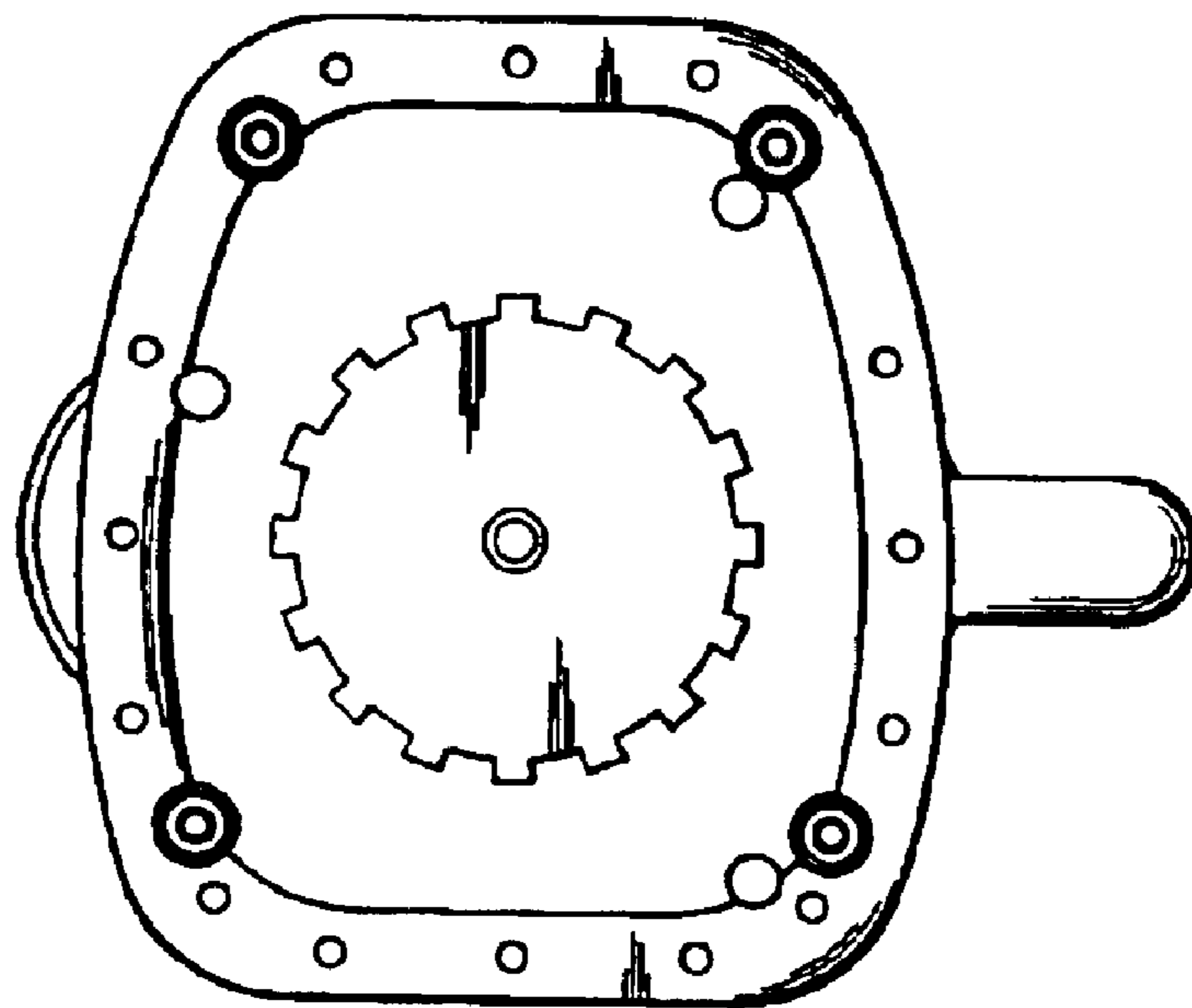
**FIG. 4**



**FIG. 5**



**FIG. 6**



**FIG. 7**