



US00D498639S

(12) **United States Design Patent**
Brasnet

(10) **Patent No.:** **US D498,639 S**

(45) **Date of Patent:** **** Nov. 23, 2004**

(54) **STEWPOOT KARAH**

D374,373 S * 10/1996 Ito D7/360

(75) **Inventor:** **Pierre-françois Brasnet, Annecy (FR)**

* cited by examiner

(73) **Assignee:** **Tefal S.A., Rumilly (FR)**

Primary Examiner—Caron D. Veynar

(**) **Term:** **14 Years**

(74) *Attorney, Agent, or Firm*—Kirkpatrick & Lockhart
LLP; Anthony H. Handal

(21) **Appl. No.:** **29/191,425**

(57) **CLAIM**

(22) **Filed:** **Oct. 7, 2003**

I claim the ornamental design for a stewpot karahi, as shown
and described.

(51) **LOC (7) Cl.** **07-02**

DESCRIPTION

(52) **U.S. Cl.** **D7/360**

(58) **Field of Search** D7/500, 323, 354–361,
D7/391, 393–396; 99/324, 339; 219/620–622;
220/573.1–574, 912

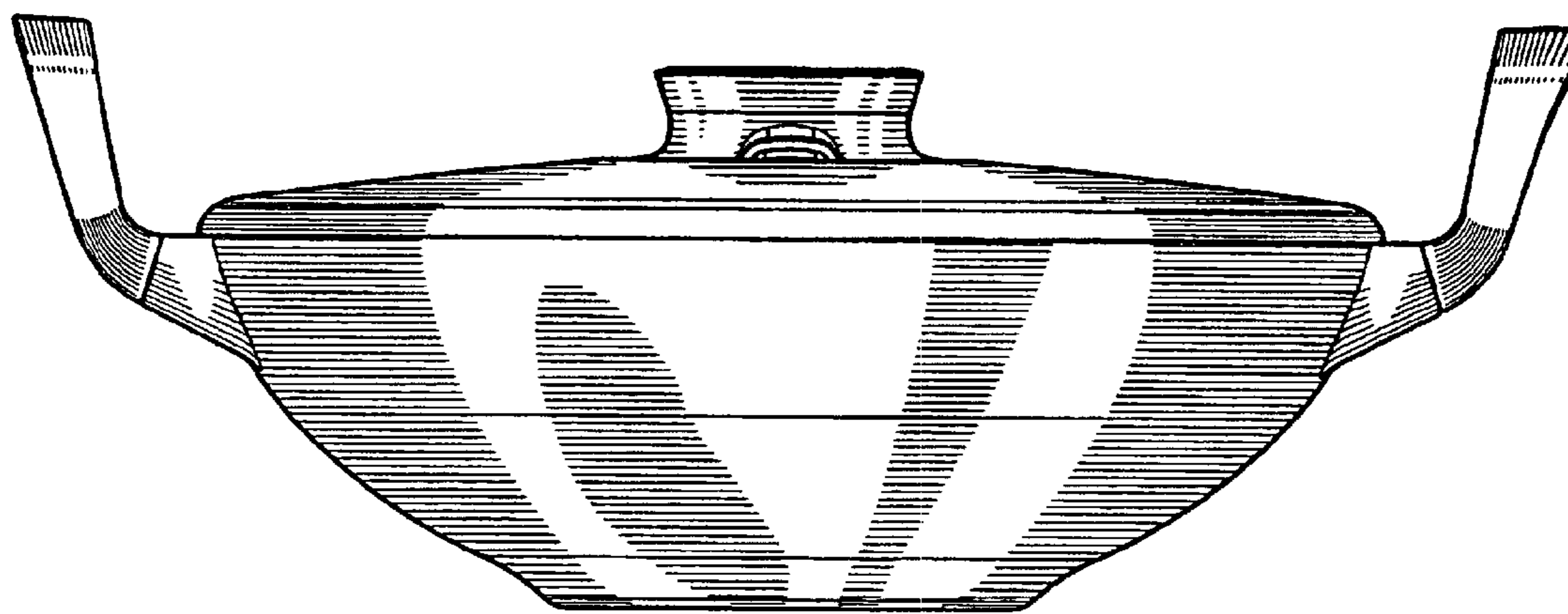
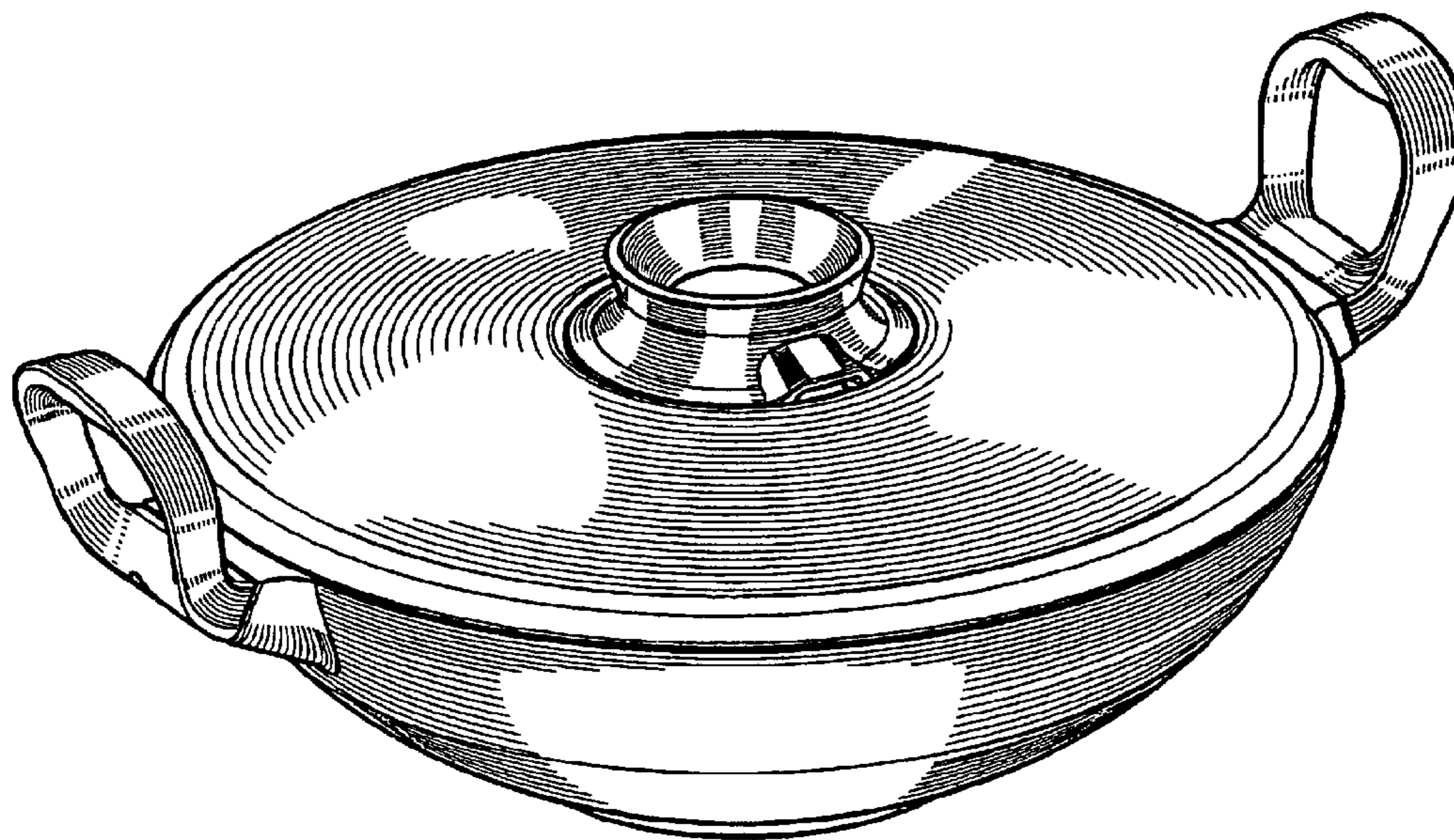
FIG. 1 is a front, left, top perspective view of the new
ornamental stewpot karahi of the present invention;
FIG. 2 is a top view thereof;
FIG. 3 is a bottom view thereof;
FIG. 4 is a front view thereof; and,
FIG. 5 is a left side view thereof, the right side is a mirror
image.

(56) **References Cited**

U.S. PATENT DOCUMENTS

D215,469 S * 10/1969 Gulotta D7/360

1 Claim, 5 Drawing Sheets



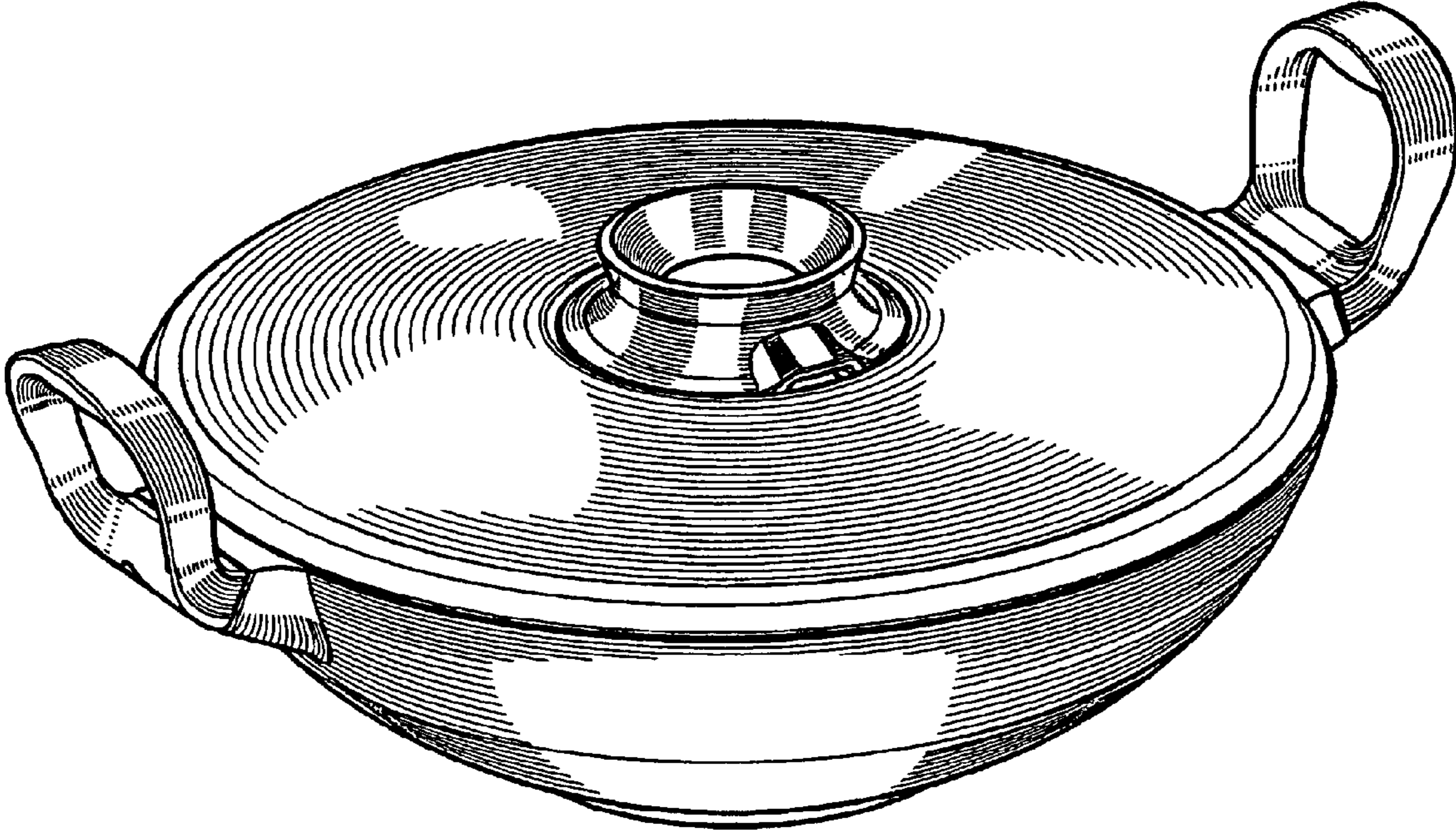


Fig. 1

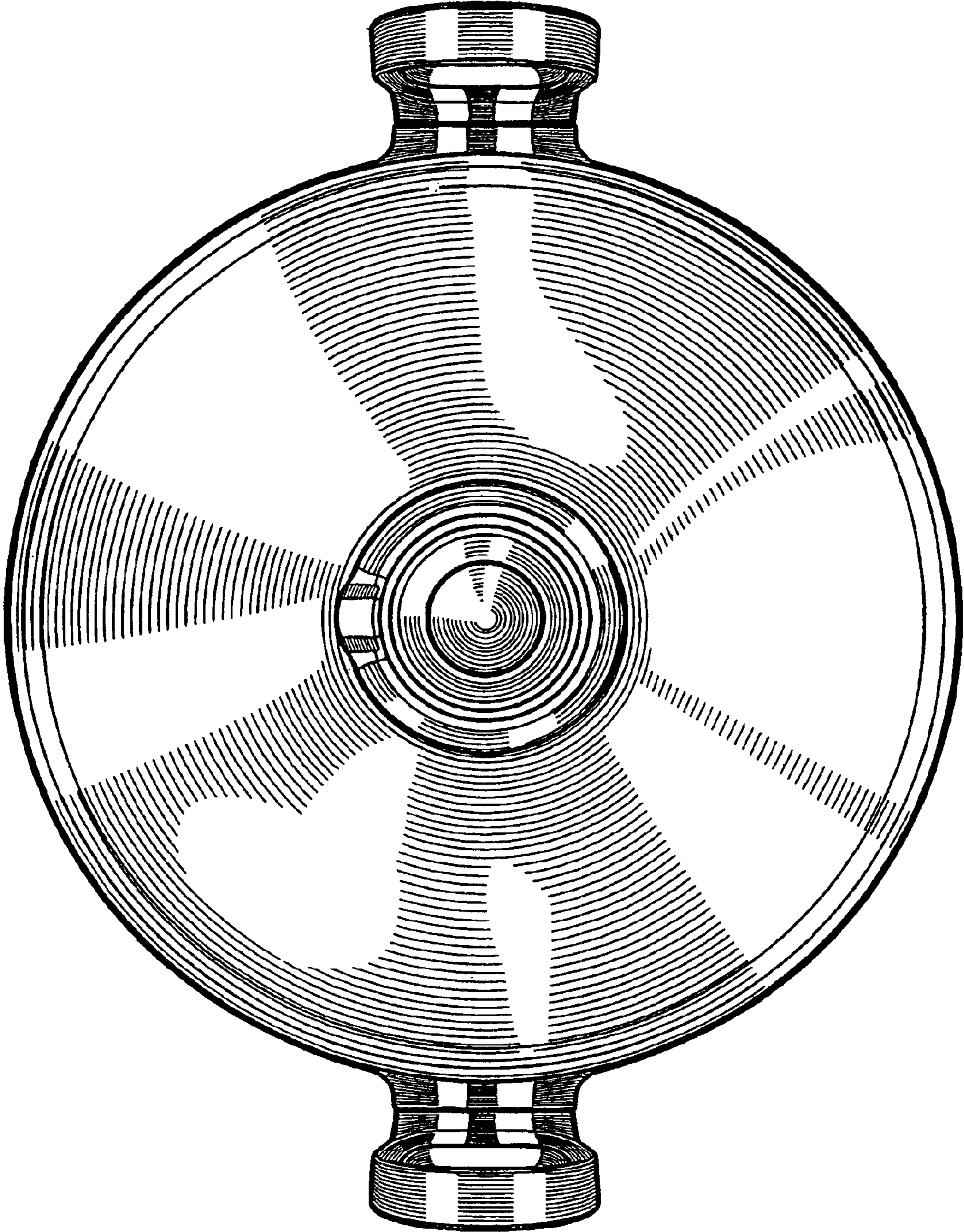


Fig. 2

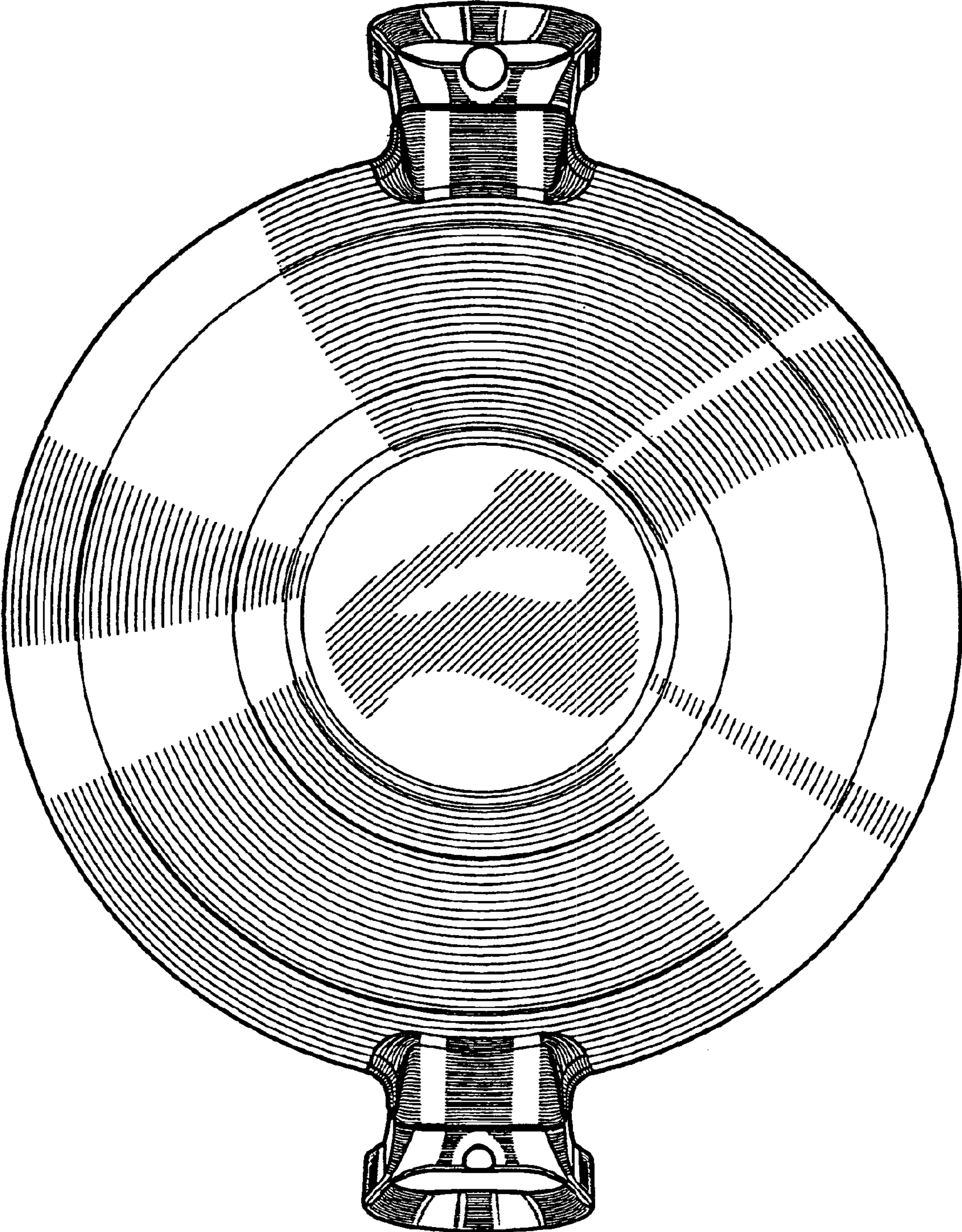


Fig. 3

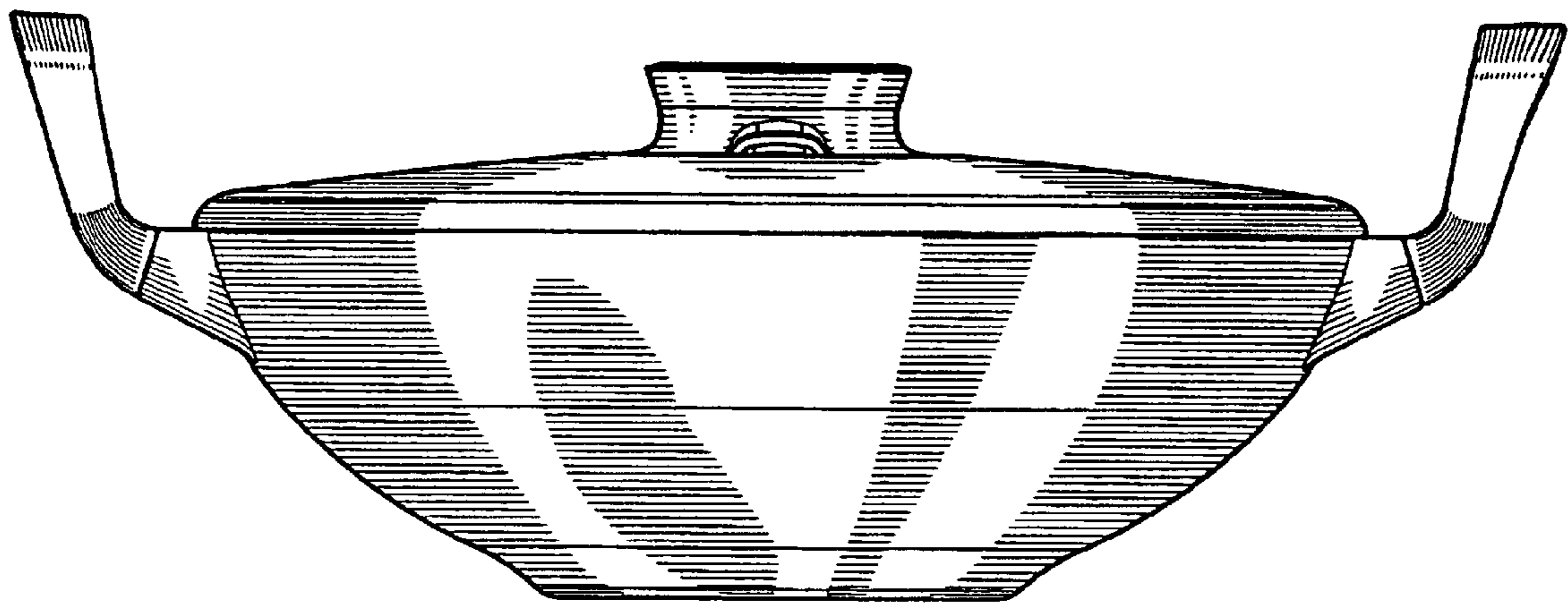


Fig. 4

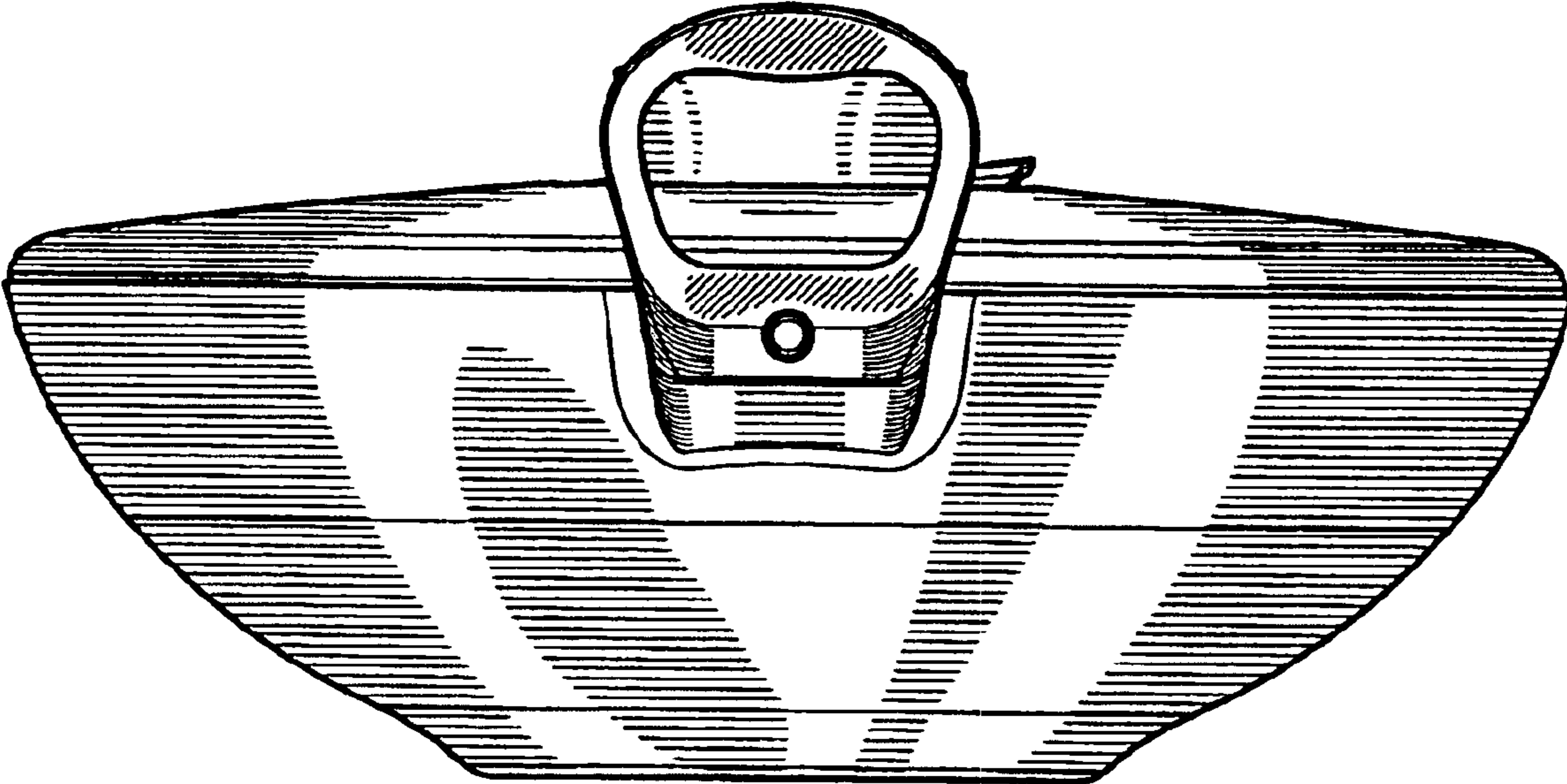


Fig. 5