

US00D498631S

(12) **United States Design Patent**
Anderson et al.

(10) **Patent No.: US D498,631 S**

(45) **Date of Patent: ** Nov. 23, 2004**

(54) **TRIPLE TOOL HANGER**

(75) Inventors: **Torrence Anderson**, Overland Park, KS
(US); **Adam Thomas**, Wheaton, IL
(US)

(73) Assignee: **Suncast Corporation**, Batavia, IL (US)

(**) Term: **14 Years**

(21) Appl. No.: **29/202,963**

(22) Filed: **Apr. 6, 2004**

(51) **LOC (7) Cl.** **06-04**

(52) **U.S. Cl.** **D6/566**

(58) **Field of Search** D6/553, 566, 567;
211/13.1, 23, 17-18, 35, 41.1, 41.3, 41.4,
20.6, 100, 87.01, 181.1, 106; 248/251,
302, 309.1, 304

(56) **References Cited**

U.S. PATENT DOCUMENTS

D200,617 S * 3/1965 Smith D6/566

D295,344 S * 4/1988 Pryor et al. D6/566
D298,713 S * 11/1988 Hinderaker et al. D6/566
D381,854 S * 8/1997 Moeller et al. D6/566
D466,748 S * 12/2002 Battaglia et al. D6/566

* cited by examiner

Primary Examiner—Brian N Vinson

(74) *Attorney, Agent, or Firm*—McHale & Slavin, P.A.

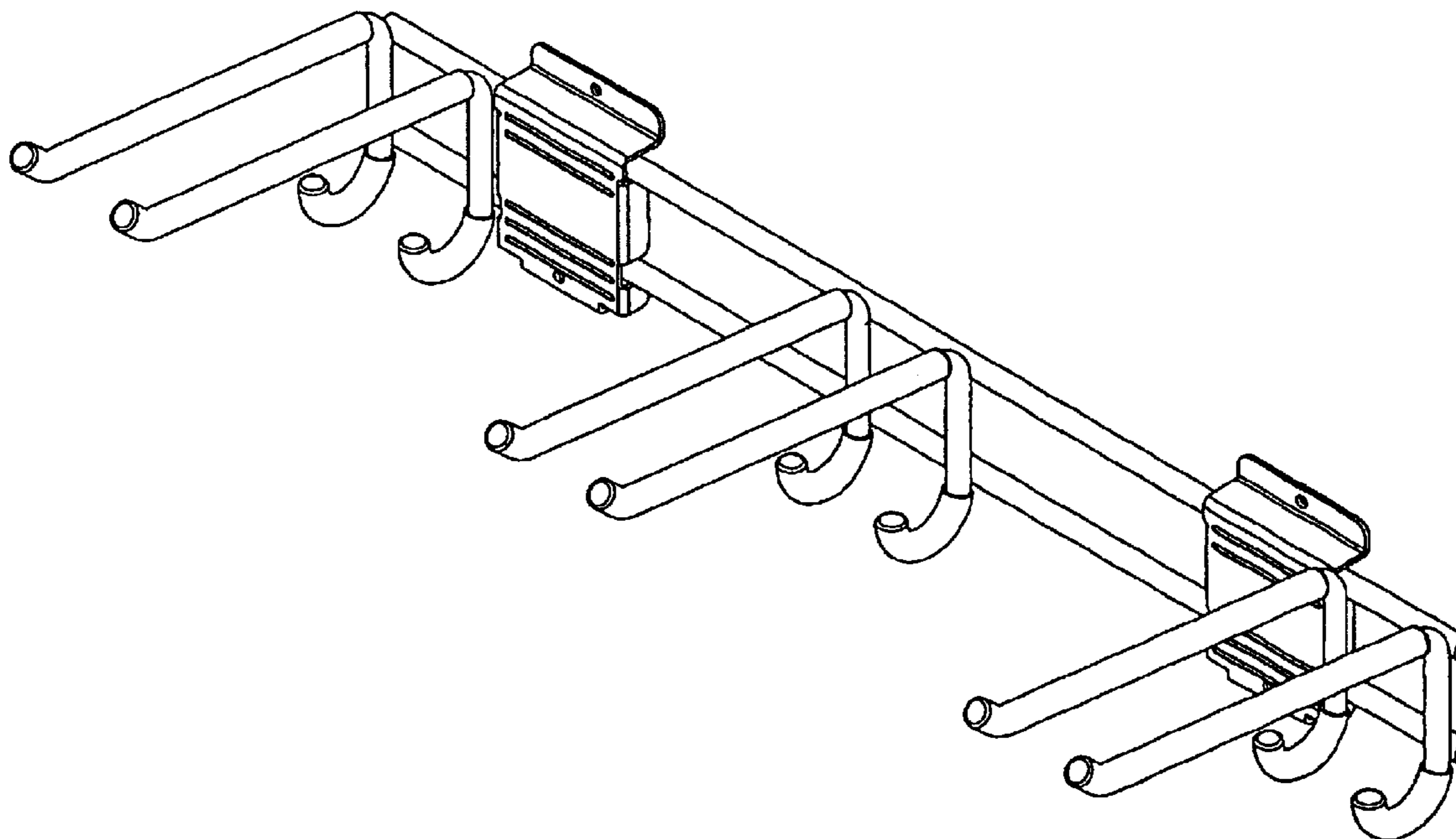
(57) **CLAIM**

The ornamental design for a triple tool hanger, as shown and described.

DESCRIPTION

FIG. 1 is a perspective view of the triple tool hanger of the instant invention;
FIG. 2 is a front elevation view thereof;
FIG. 3 is a rear view thereof;
FIG. 4 is a right side view thereof;
FIG. 5 is a left side view thereof;
FIG. 6 is a top view thereof; and,
FIG. 7 is a bottom view.

1 Claim, 6 Drawing Sheets



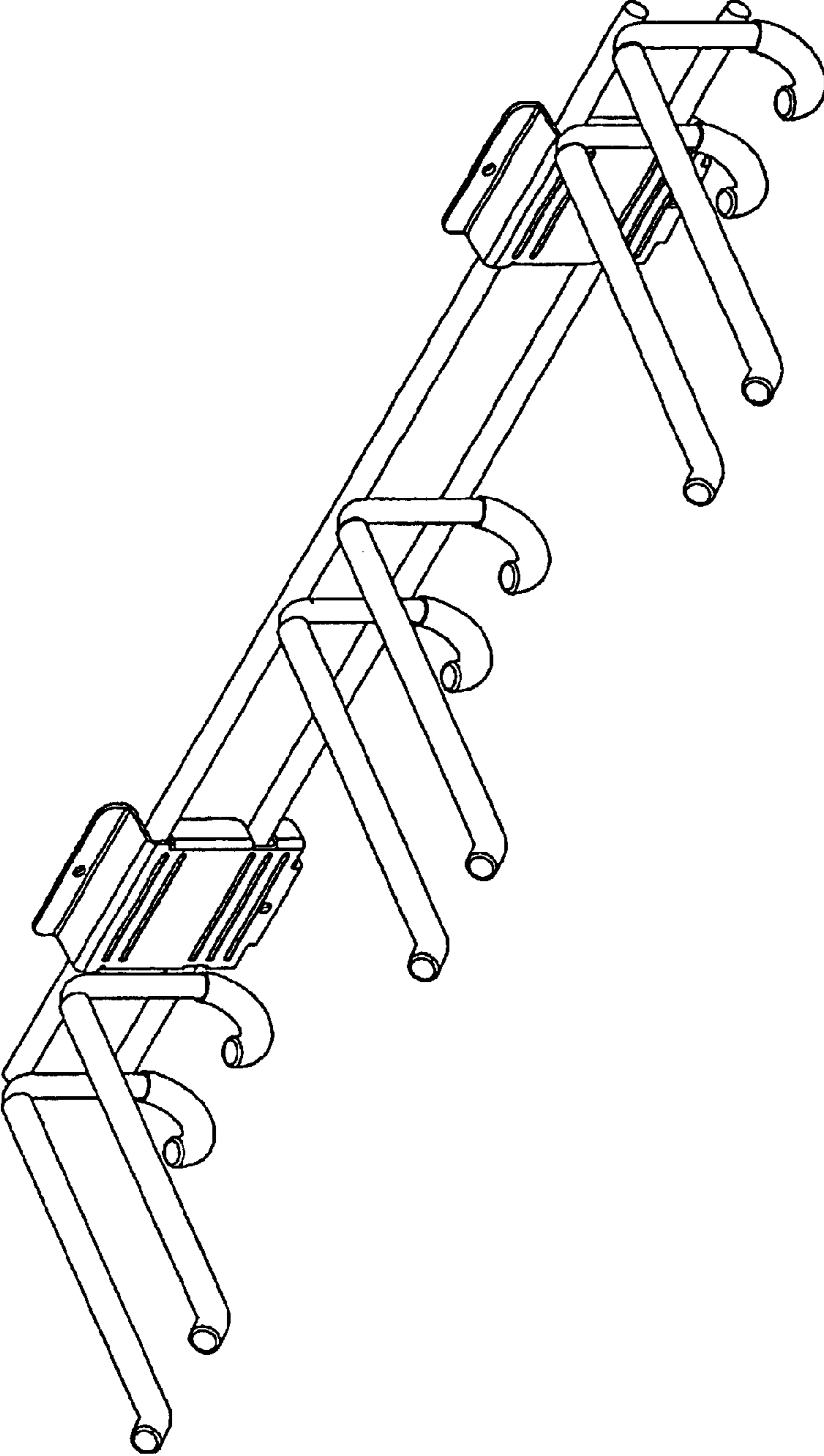


FIGURE 1

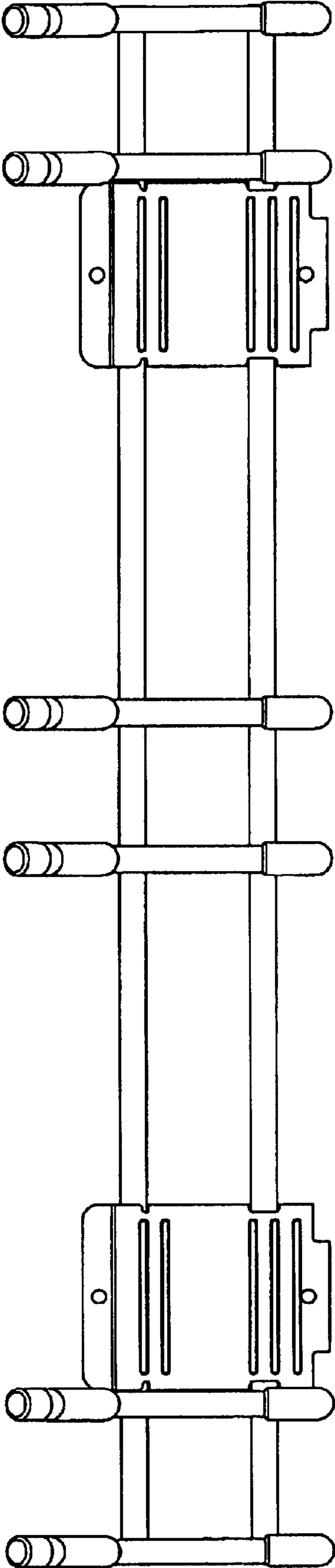


FIGURE 2

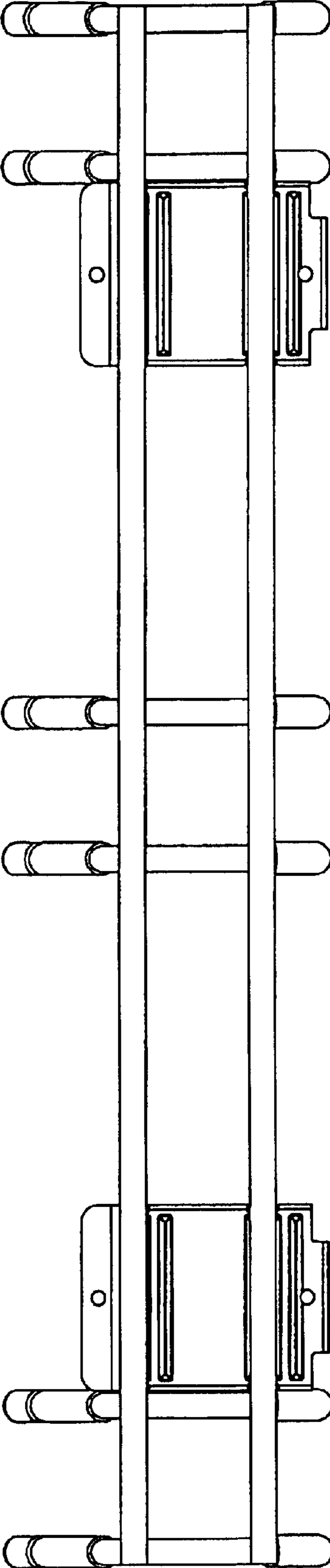


FIGURE 3

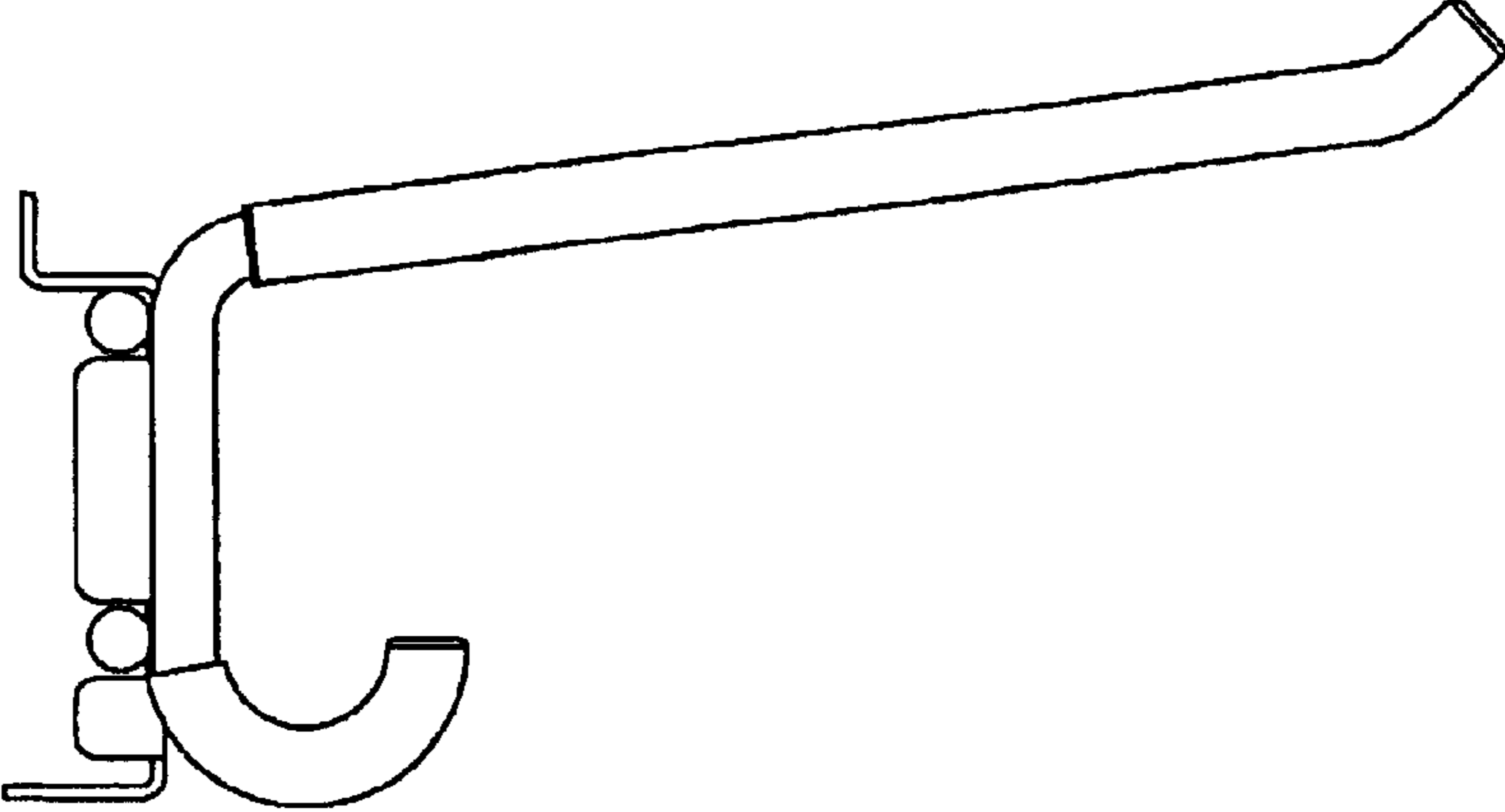


FIGURE 4

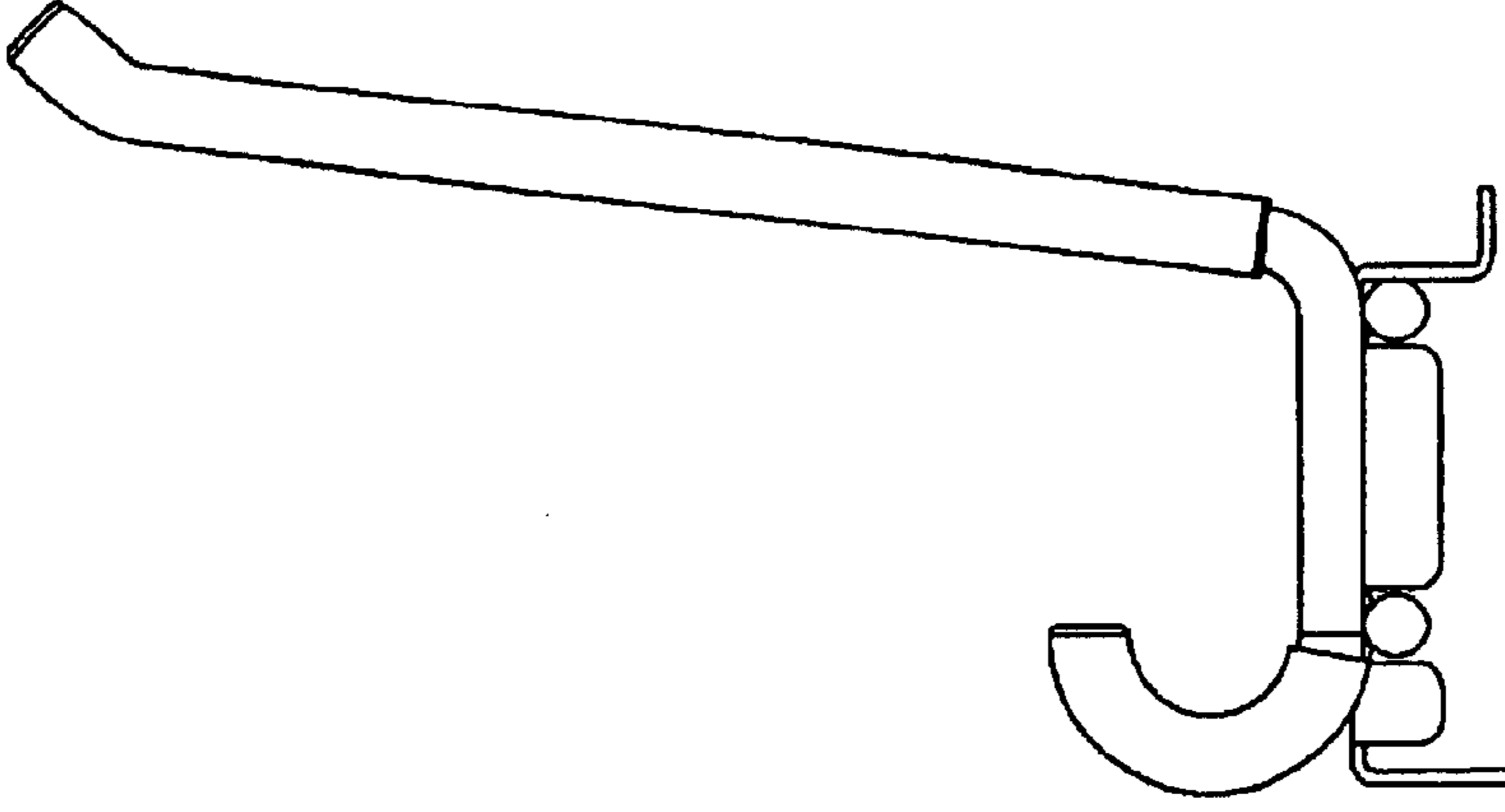


FIGURE 5

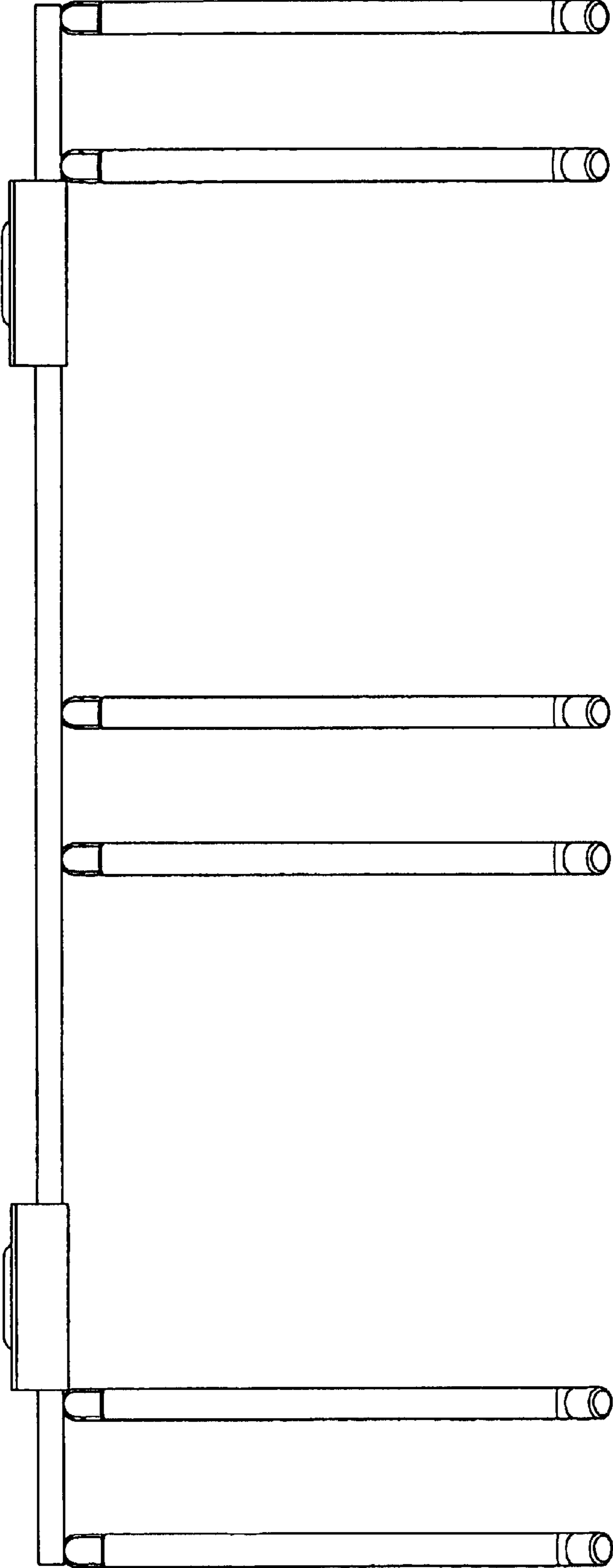


FIGURE 6

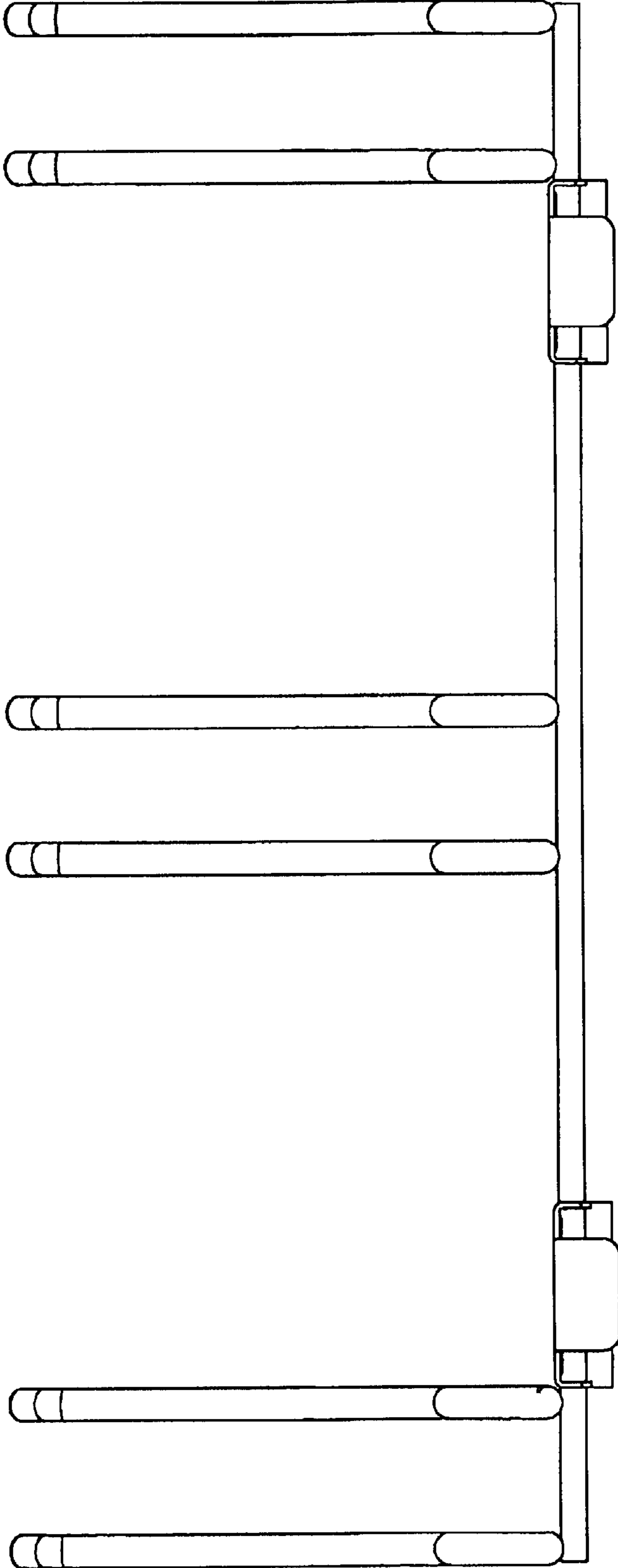


FIGURE 7