



US00D498630S

(12) **United States Design Patent**  
**Suero, Jr.**

(10) **Patent No.: US D498,630 S**

(45) **Date of Patent: \*\* Nov. 23, 2004**

(54) **WALL-MOUNTED HOOK**

D465,998 S \* 11/2002 Goodman et al. .... D8/372  
D484,345 S \* 12/2003 Clucas ..... D6/572

(75) **Inventor: Jose Suero, Jr., Newark, DE (US)**

\* cited by examiner

(73) **Assignee: Zenith Products Corp., New Castle, DE (US)**

*Primary Examiner*—Brian N Vinson  
(74) *Attorney, Agent, or Firm*—Edgar A. Zarius; Lloyd D. Doigan

(\*\*) **Term: 14 Years**

(21) **Appl. No.: 29/200,054**

(57) **CLAIM**

(22) **Filed: Feb. 23, 2004**

The ornamental design for a wall-mounted hook, as shown and described.

(51) **LOC (7) Cl. .... 06-04**

(52) **U.S. Cl. .... D6/566**

(58) **Field of Search** ..... D6/566, 567, 323,  
D6/513, 514; D8/370, 372; 248/302, 304,  
309.1, 309.2; 211/87.01, 181.1, 86.01, 90.03

**DESCRIPTION**

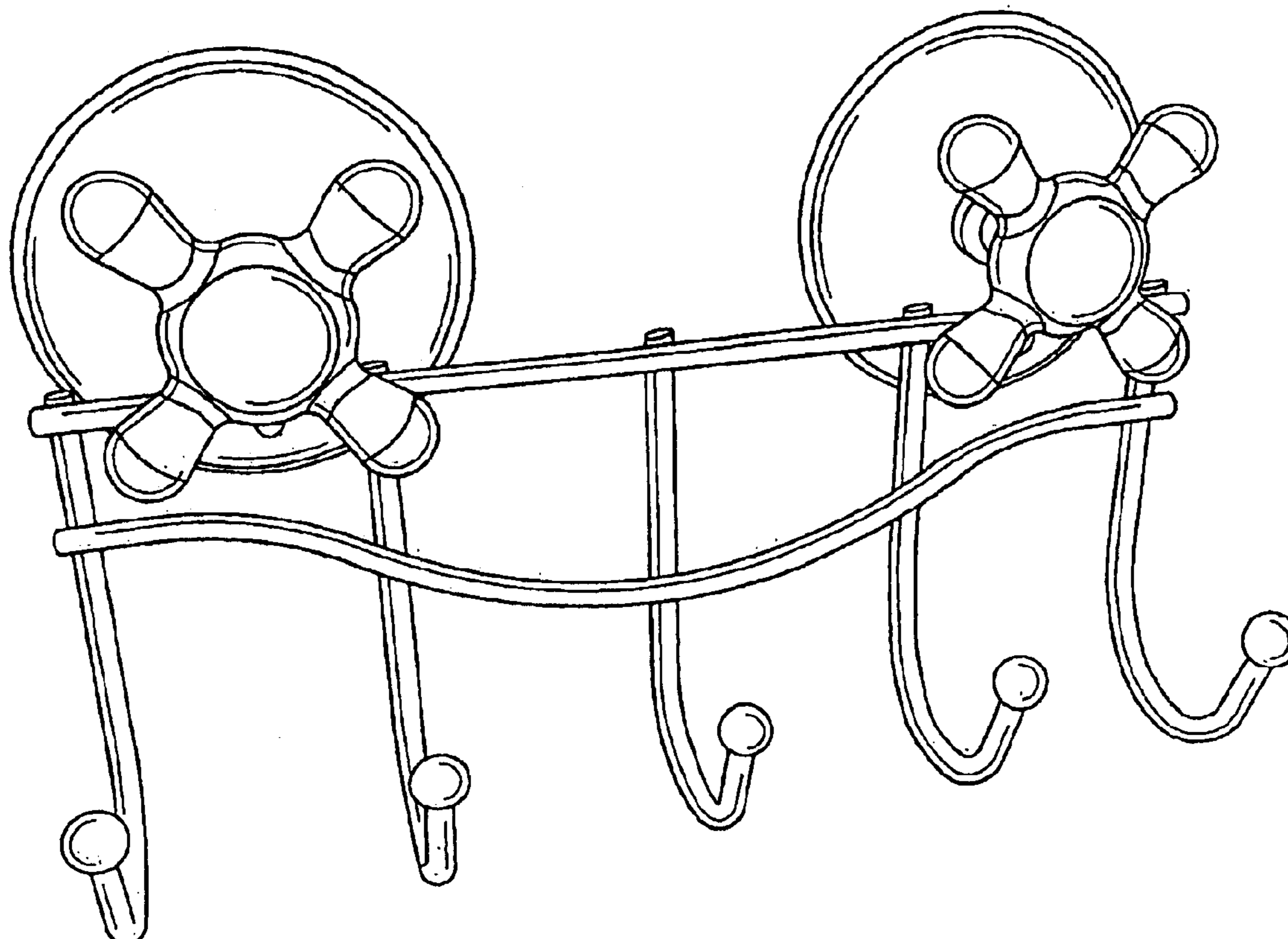
FIG. 1 is a perspective view of a wall-mounted hook showing my new design;  
FIG. 2 is a front elevational view thereof;  
FIG. 3 is a right side view thereof; the opposite side being a mirror image of the side shown; and,  
FIG. 4 is a top plan view thereof.

(56) **References Cited**

**U.S. PATENT DOCUMENTS**

D355,841 S \* 2/1995 Goodman et al. .... D8/372  
D465,406 S \* 11/2002 Goodman et al. .... D8/372

**1 Claim, 2 Drawing Sheets**



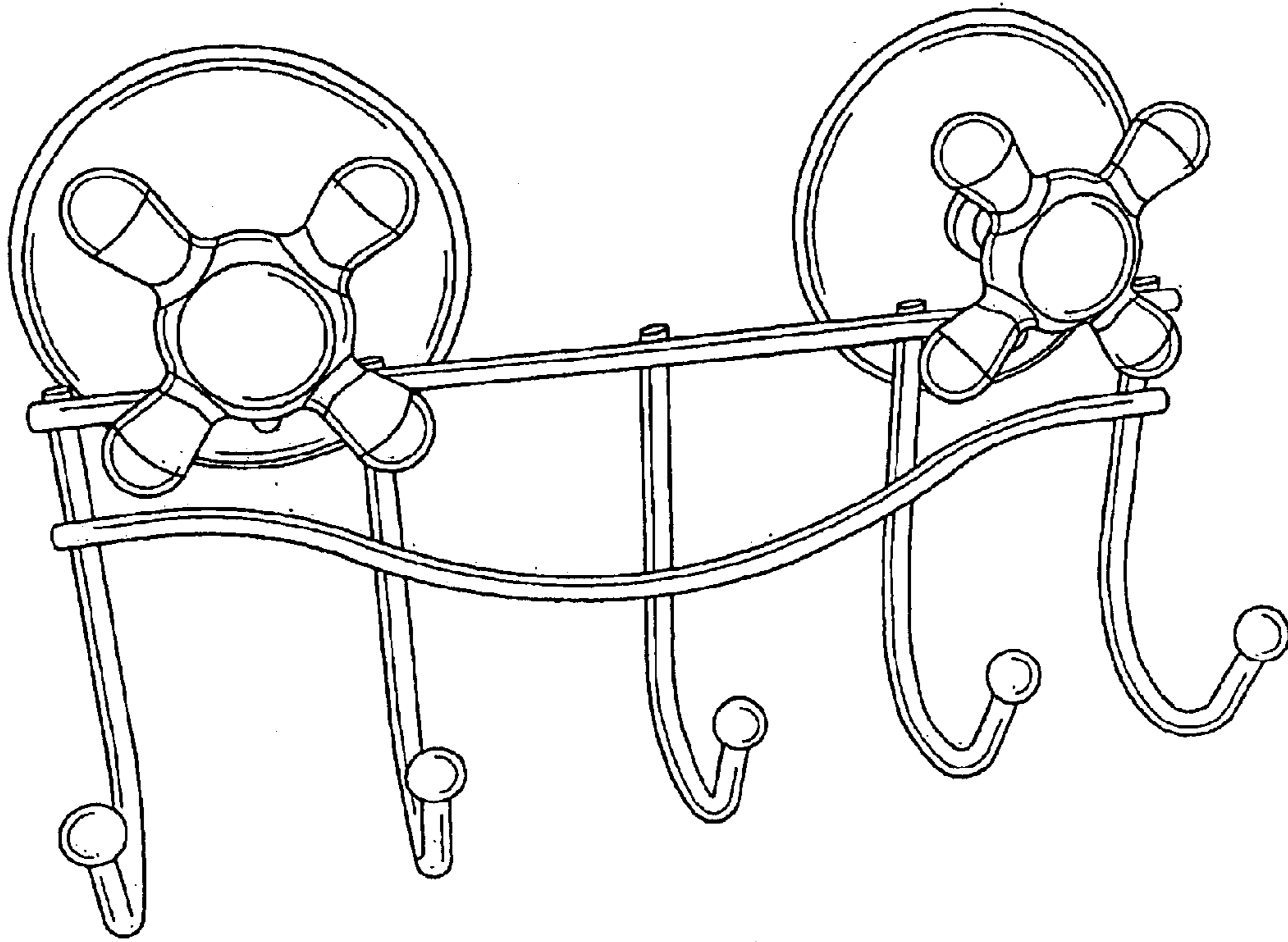


Fig-1

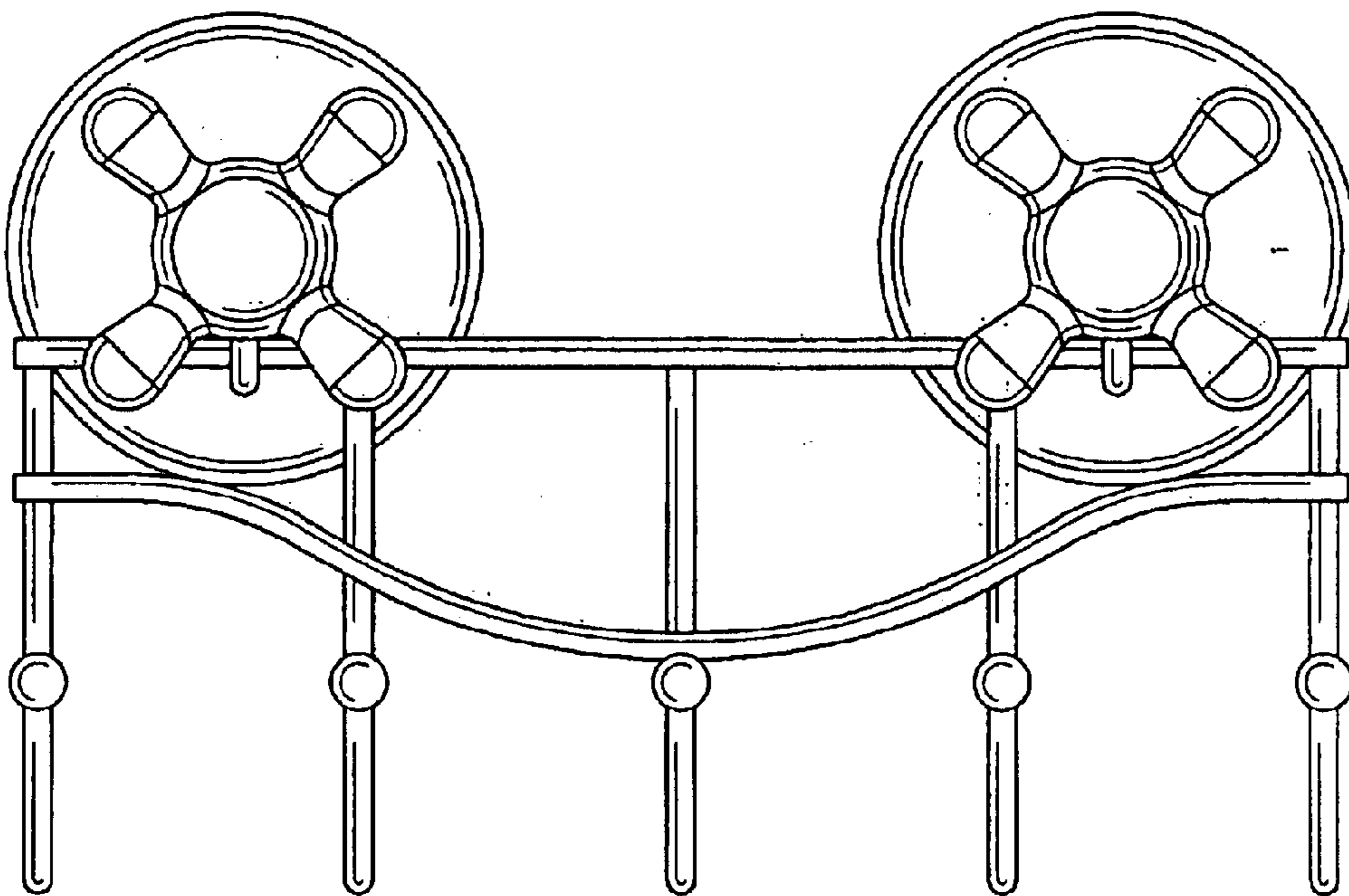


Fig-2

Fig-3

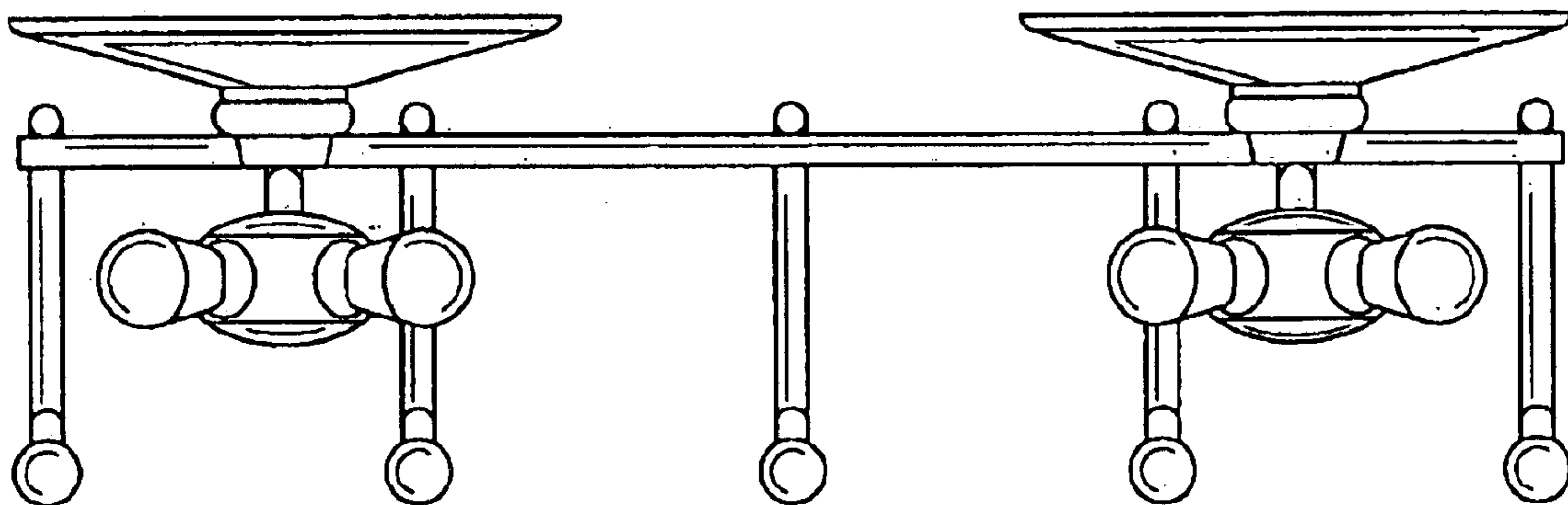
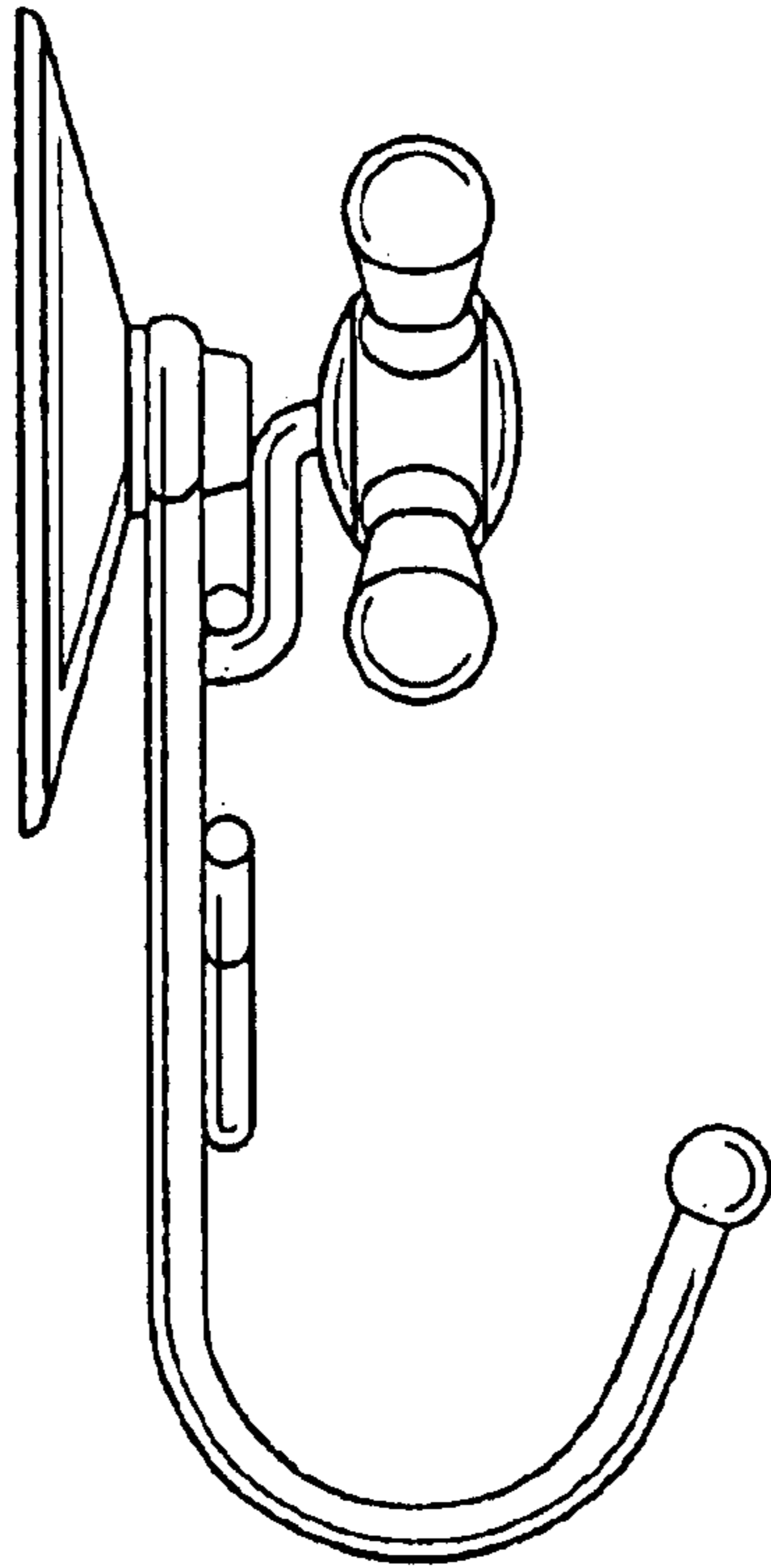


Fig-4