

US00D498629S

(12) **United States Design Patent**
Fuchs

(10) **Patent No.:** **US D498,629 S**

(45) **Date of Patent:** **** Nov. 23, 2004**

(54) **TOWEL BAR**

(76) **Inventor:** **Thomas P. Fuchs**, 38 W. 9th St., New York, NY (US) 10012

(**) **Term:** **14 Years**

(21) **Appl. No.:** **29/202,490**

(22) **Filed:** **Mar. 31, 2004**

(51) **LOC (7) Cl.** **06-04**

(52) **U.S. Cl.** **D6/549**

(58) **Field of Search** D6/546-550, 518-519, D6/522-524; D8/300, 303, 315-321; 108/28-29; 211/13.1, 16, 60.1, 86.01, 87.01, 88.01, 88.04, 100, 105.1-105.2, 123, 181.1, 182; 248/175, 176.1, 251, 302; 16/110.1, 412, 415; 242/570, 590, 595-598

(56) **References Cited**

U.S. PATENT DOCUMENTS

- D427,471 S * 7/2000 Chen D6/549
- D449,952 S * 11/2001 Lyndon D6/549
- D454,743 S * 3/2002 Ou-Young D6/549
- D455,592 S * 4/2002 Ou-Young D6/549
- D455,823 S * 4/2002 Zetsche D6/549

- D472,417 S * 4/2003 Hunt D6/549
- D479,931 S * 9/2003 Gilbert D6/549
- D492,530 S * 7/2004 Chen D6/549

* cited by examiner

Primary Examiner—Brian N Vinson

(74) *Attorney, Agent, or Firm*—Carter Ledyard & Milburn LLP; John M. Johnson

(57) **CLAIM**

The ornamental design for a towel bar, substantially as shown and described.

DESCRIPTION

FIG. 1 is a perspective view of a towel bar according to the present invention, the elements of the fixture being shown in broken lines and thus not forming a part of the claimed design;

FIG. 2 is a front view thereof;

FIG. 3 is a back view thereof;

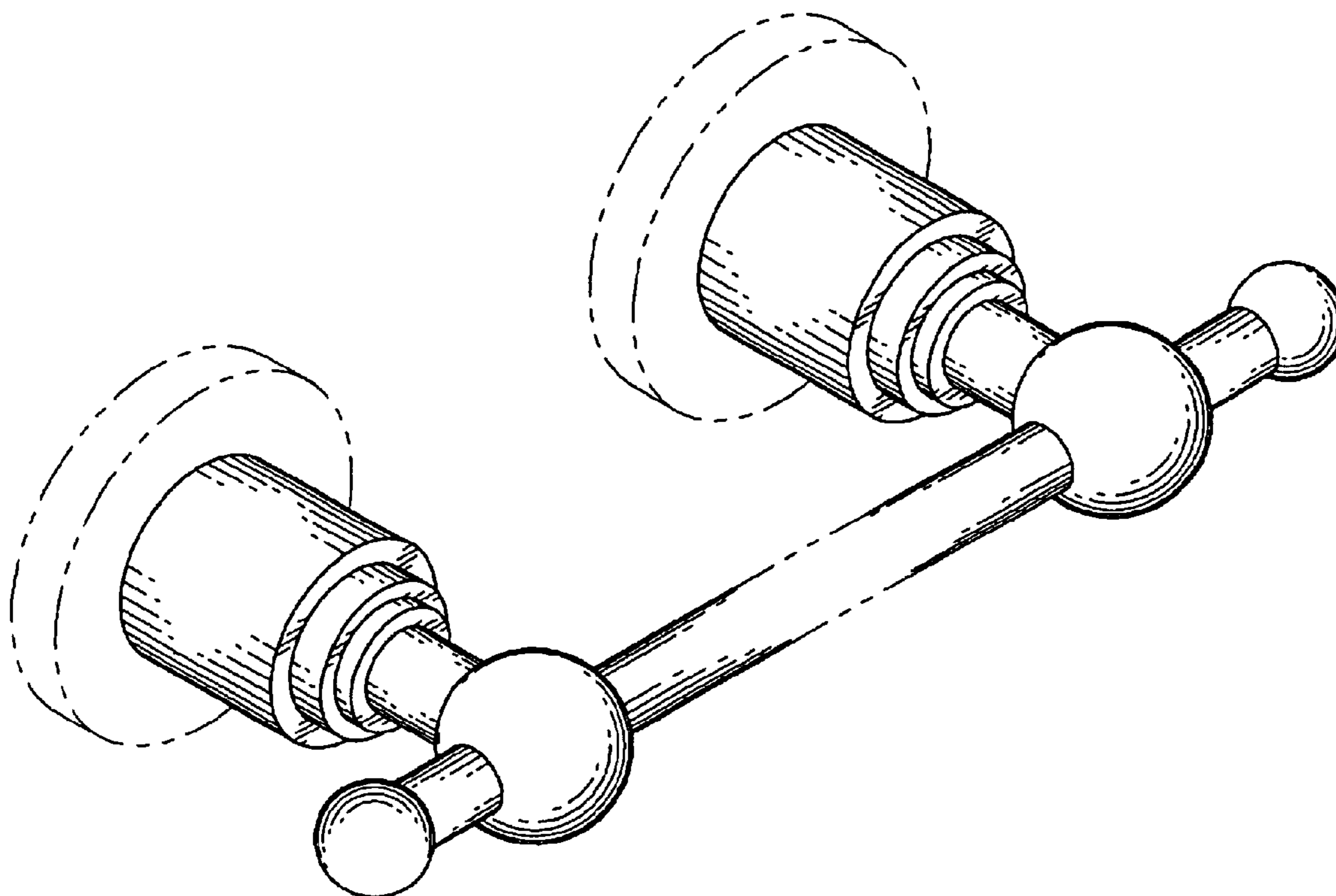
FIG. 4 is a right side view thereof;

FIG. 5 is a left side view thereof;

FIG. 6 is top view thereof; and,

FIG. 7 is a bottom view thereof.

1 Claim, 3 Drawing Sheets



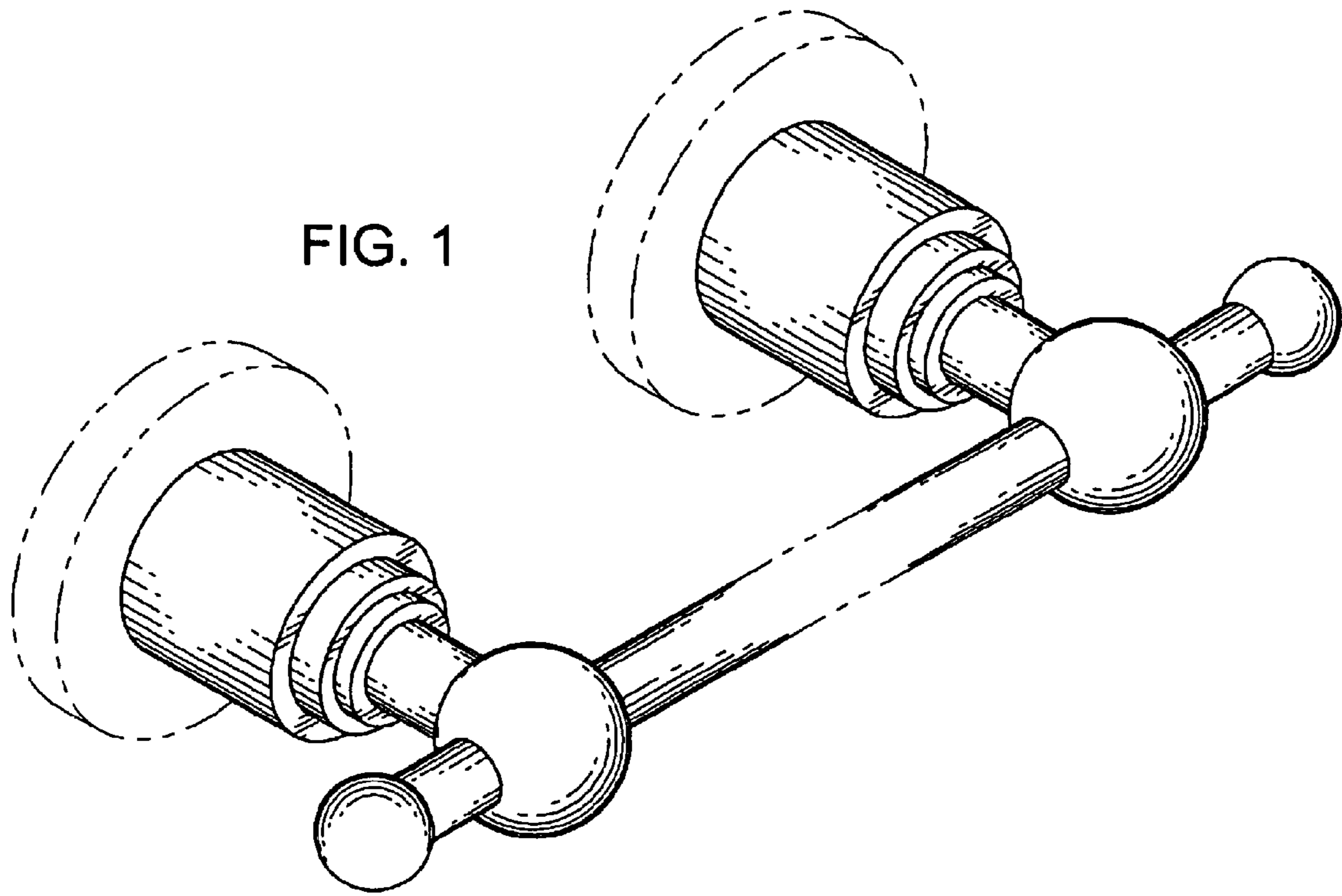


FIG. 4

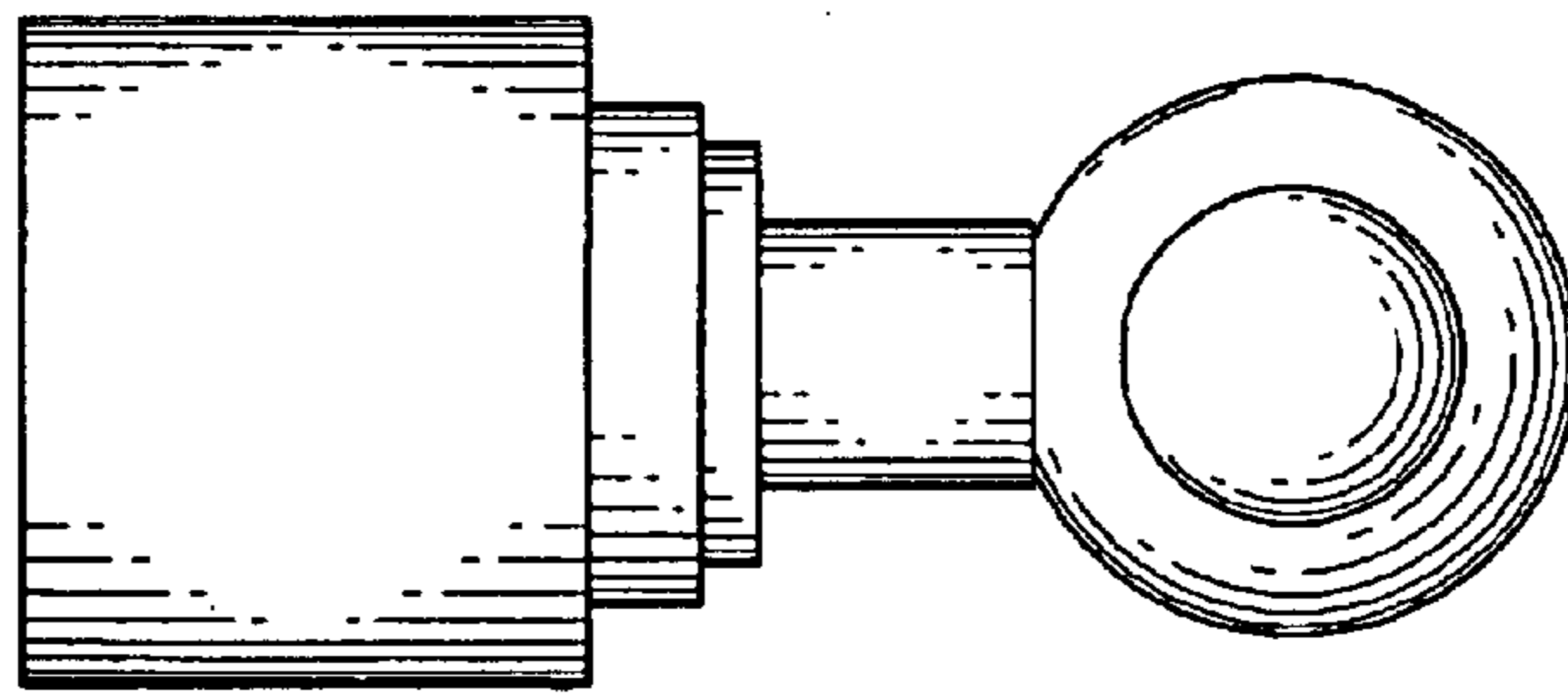
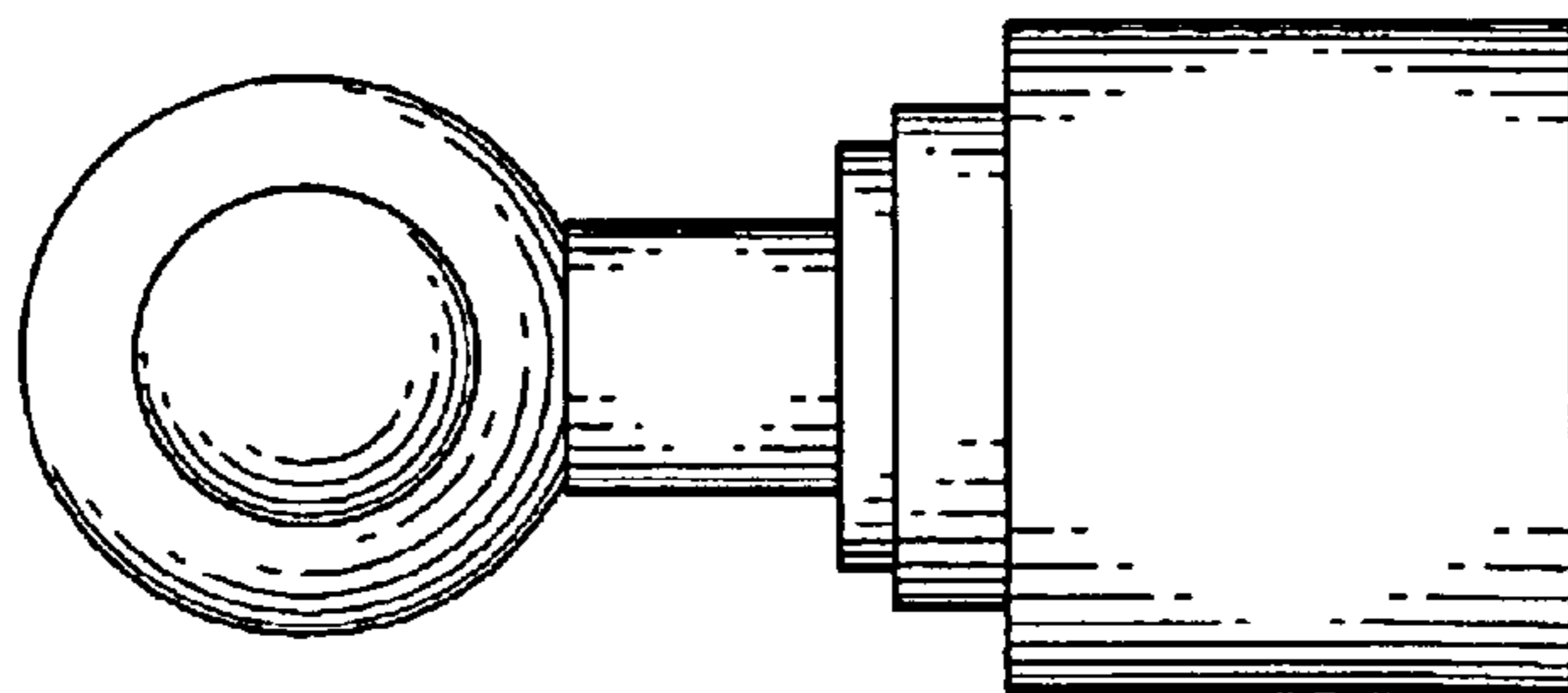


FIG. 5



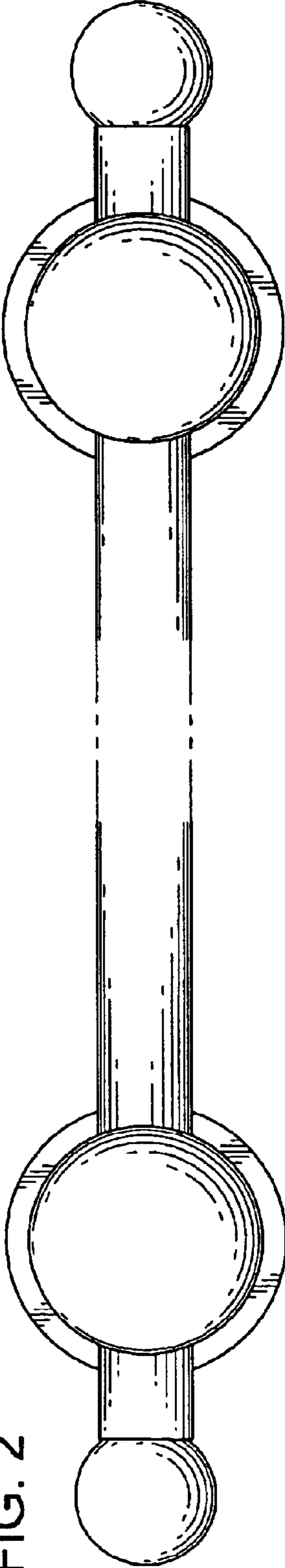


FIG. 2

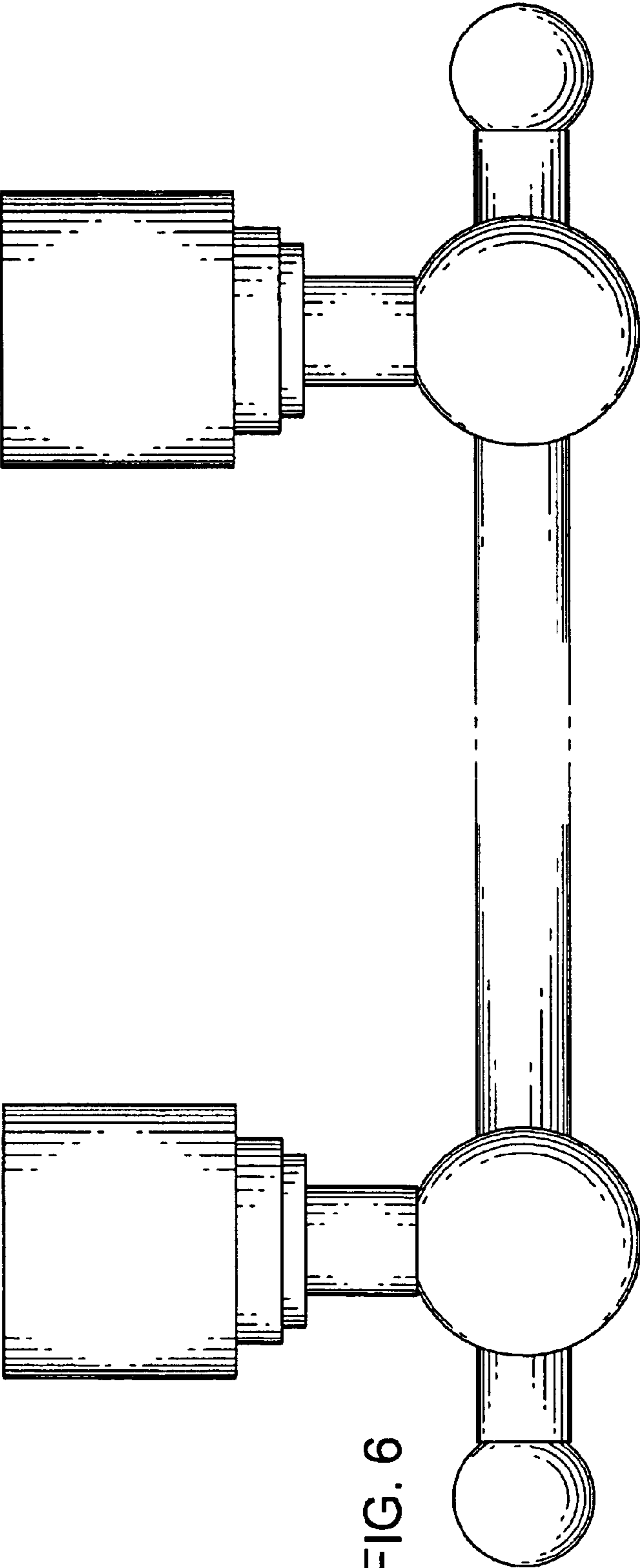


FIG. 6

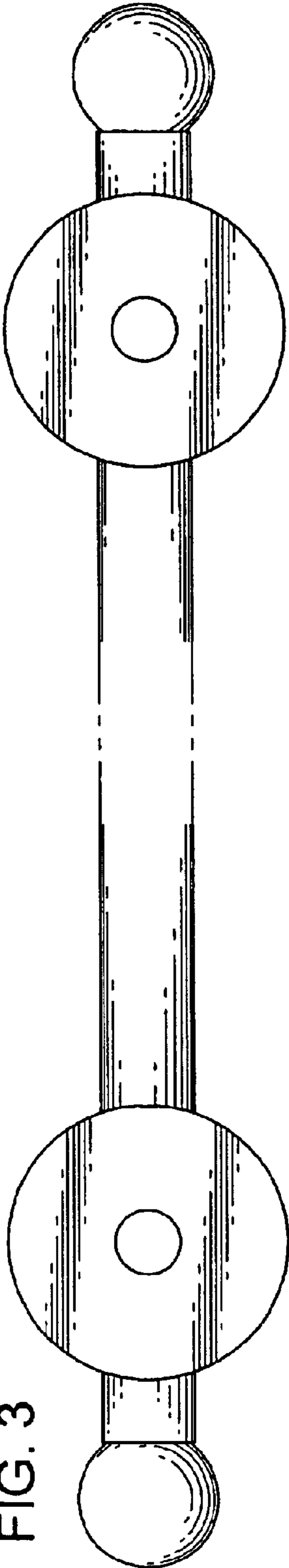


FIG. 3



FIG. 7