



US00D498627S

(12) **United States Design Patent**
Wu

(10) **Patent No.:** **US D498,627 S**

(45) **Date of Patent:** **** Nov. 23, 2004**

(54) **TOWEL HANGER BASE**

(75) **Inventor:** **Shin-Wang Wu, Taipei (TW)**

(73) **Assignee:** **Penta Hardware Co., Ltd., Taipei (TW)**

(**) **Term:** **14 Years**

(21) **Appl. No.:** **29/202,618**

(22) **Filed:** **Apr. 2, 2004**

(51) **LOC (7) Cl.** **23-02**

(52) **U.S. Cl.** **D6/524**

(58) **Field of Search** D6/546-550, 518-519,
D6/522-524; D8/300, 303, 315-321, 354,
363, 373, 380; 108/28-29; 211/13.1, 16,
60.1, 86.01, 87.01, 88.01, 88.04, 100, 105.1-105.2,
123, 126.1, 133.6, 134, 181.1, 182; 248/175,
176.1, 200, 251, 302, 309.1; 16/110.1,
412, 415; 242/570, 590, 595-598; 206/389,
557

(56) **References Cited**

U.S. PATENT DOCUMENTS

D229,460 S * 12/1973 Raymond D6/524

D362,615 S * 9/1995 Shames et al. D6/524
D375,011 S * 10/1996 Lee D6/550
D418,346 S * 1/2000 Lee D6/550
D452,790 S * 1/2002 Chen D6/524

* cited by examiner

Primary Examiner—Brian N Vinson

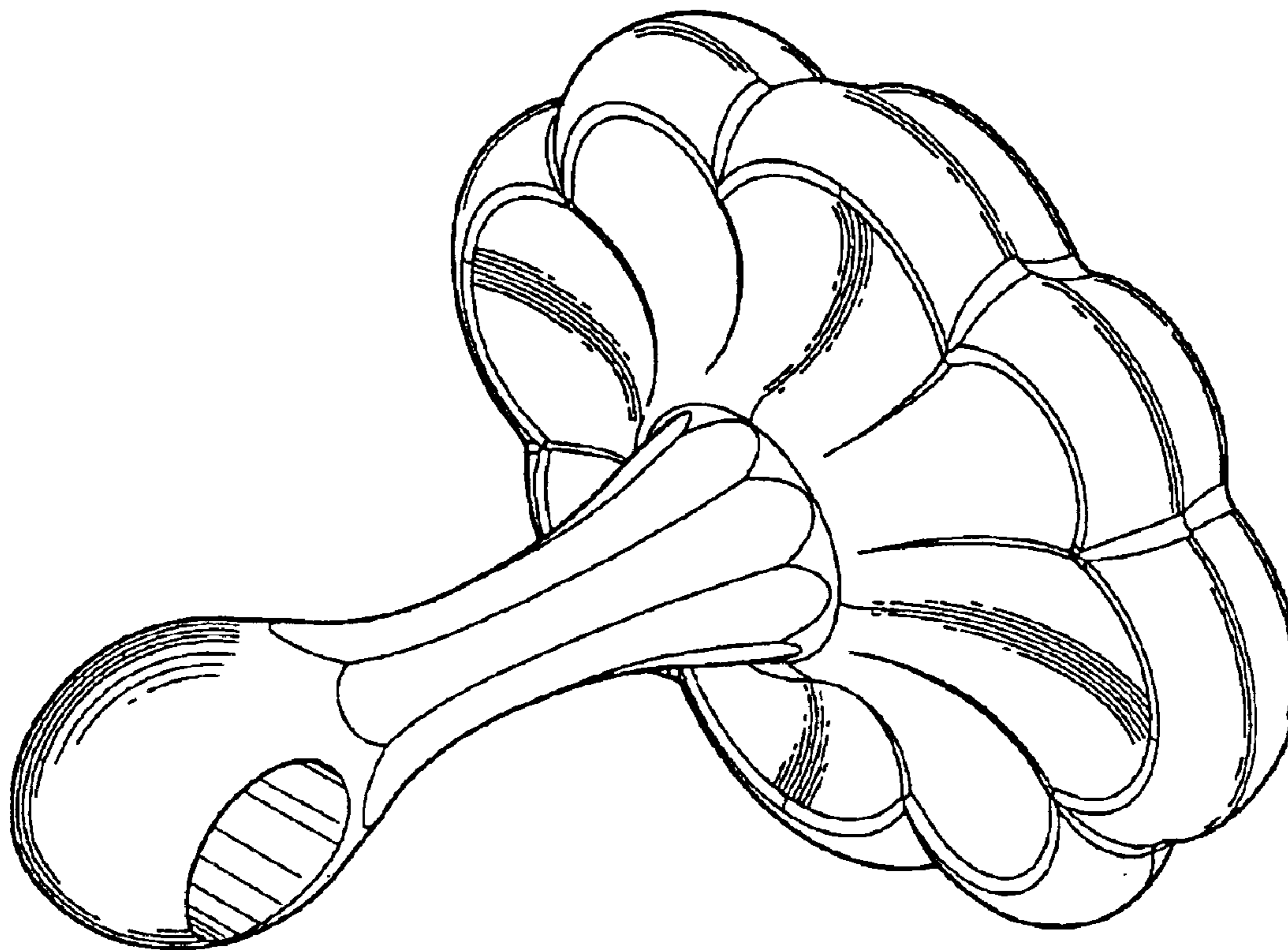
(57) **CLAIM**

The ornamental design for towel hanger base, as shown and described.

DESCRIPTION

FIG. 1 is a perspective view thereof;
FIG. 2 is a front view thereof;
FIG. 3 is a back view thereof;
FIG. 4 is a left side view thereof;
FIG. 5 is a right side view thereof;
FIG. 6 is a top view thereof; and,
FIG. 7 is a bottom view thereof.

1 Claim, 4 Drawing Sheets



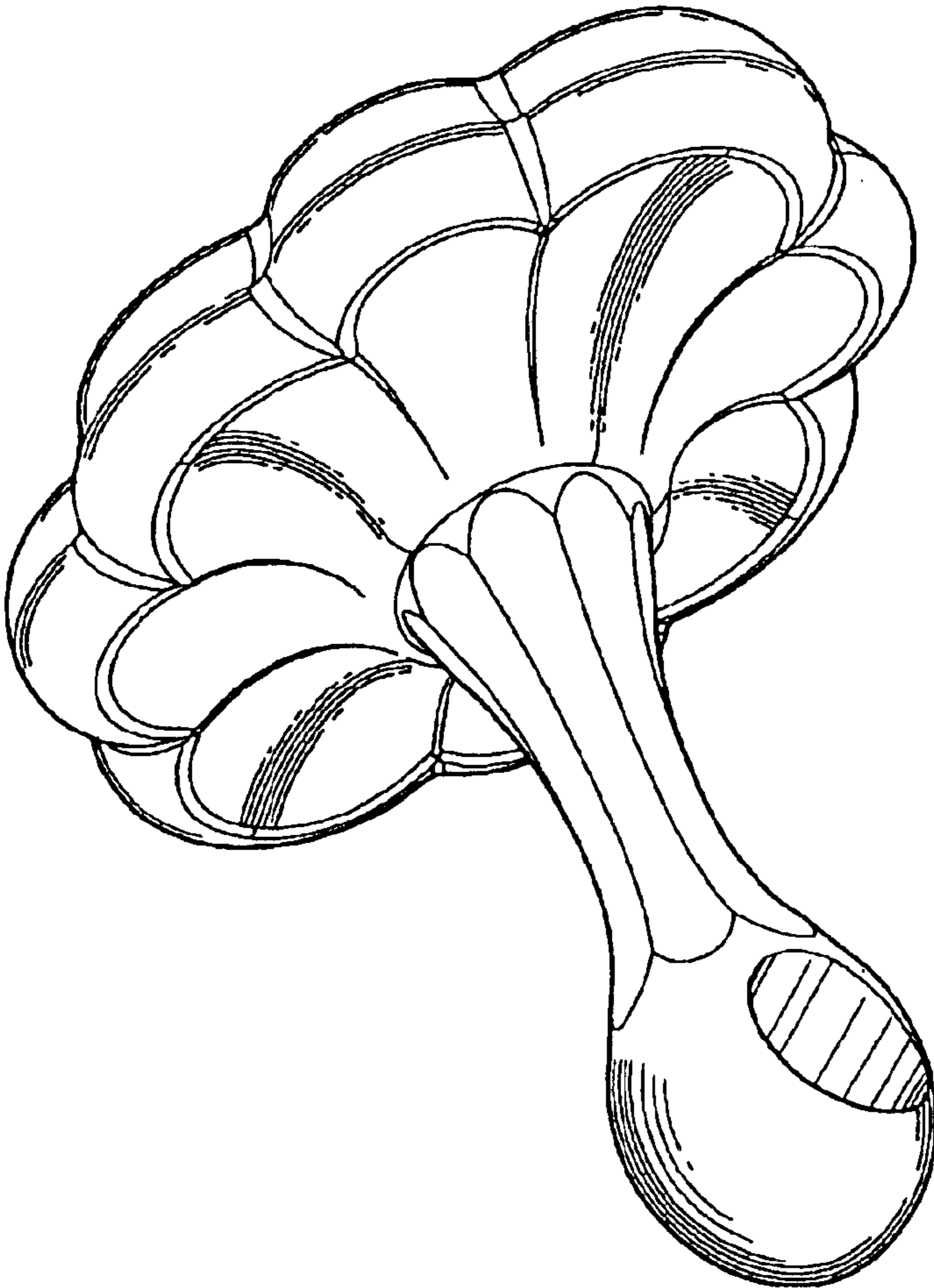


Fig.1

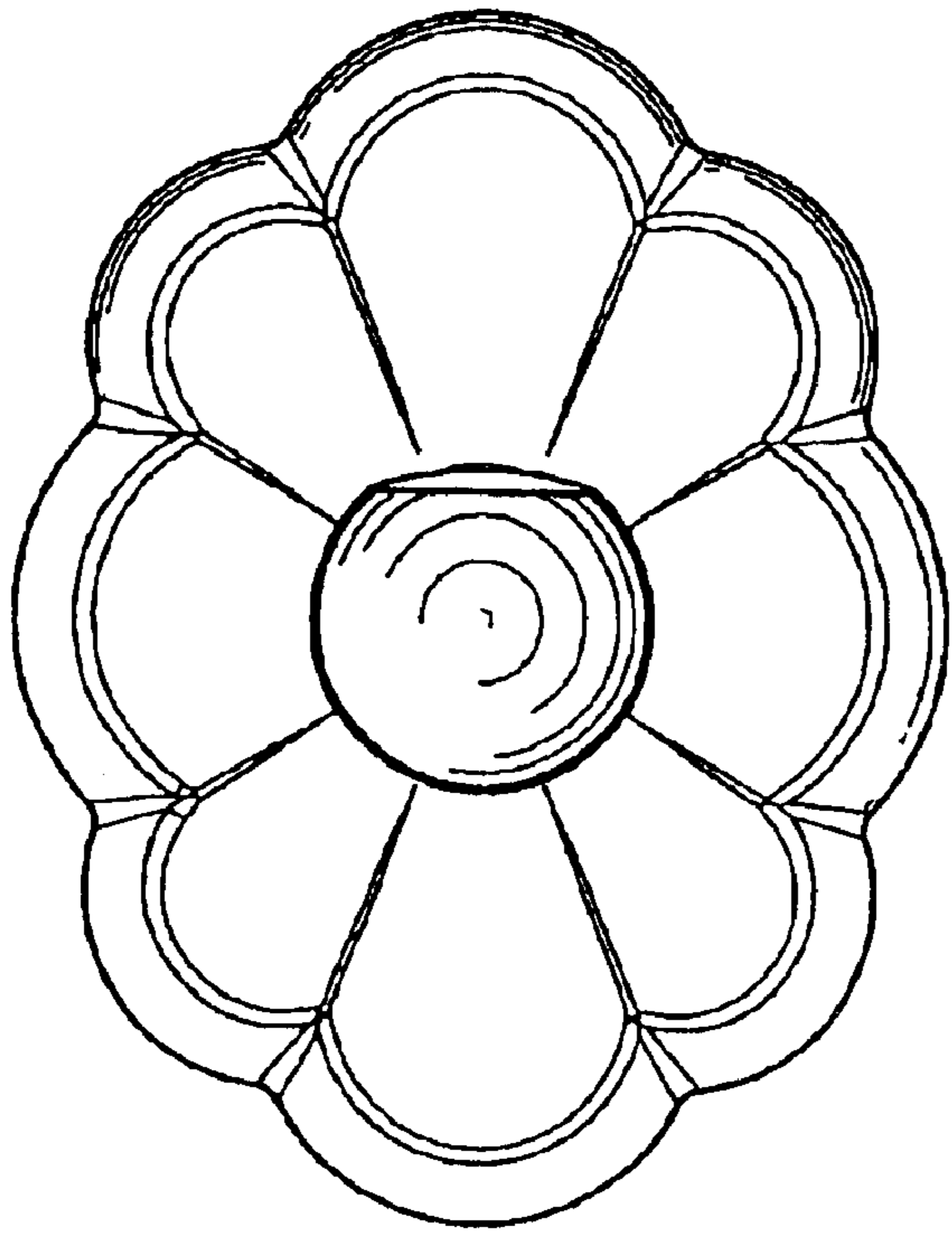


Fig. 2

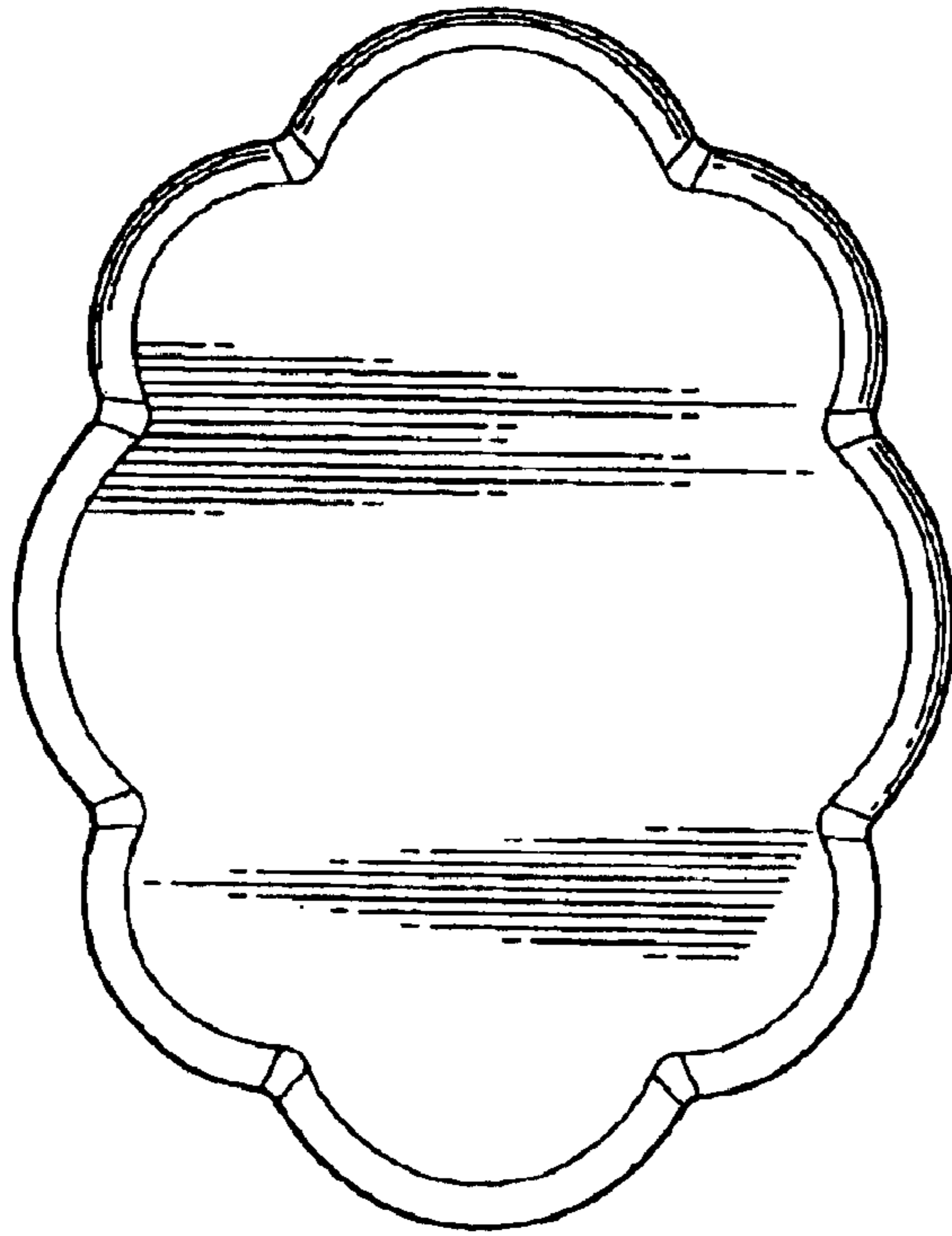


Fig. 3

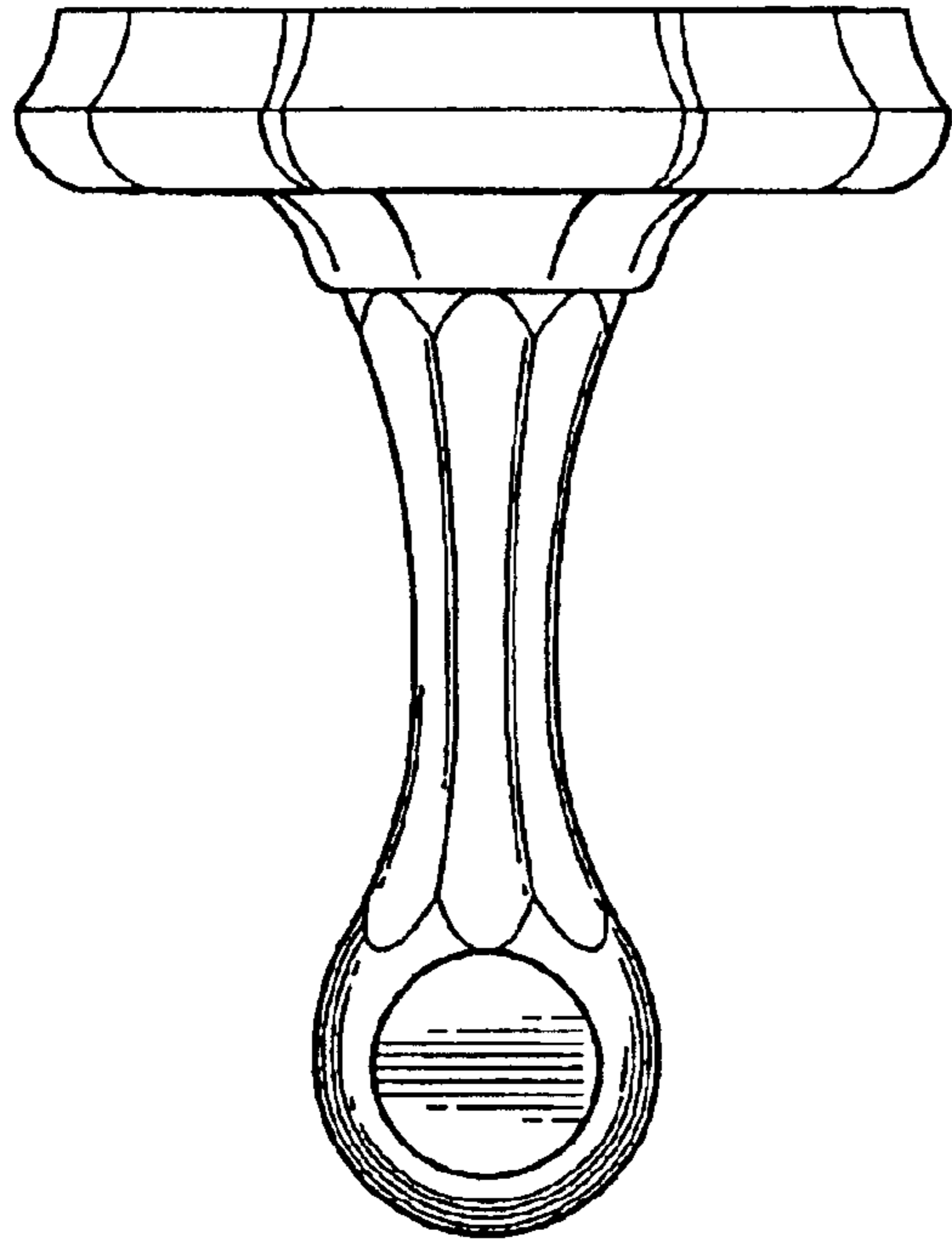


Fig. 5

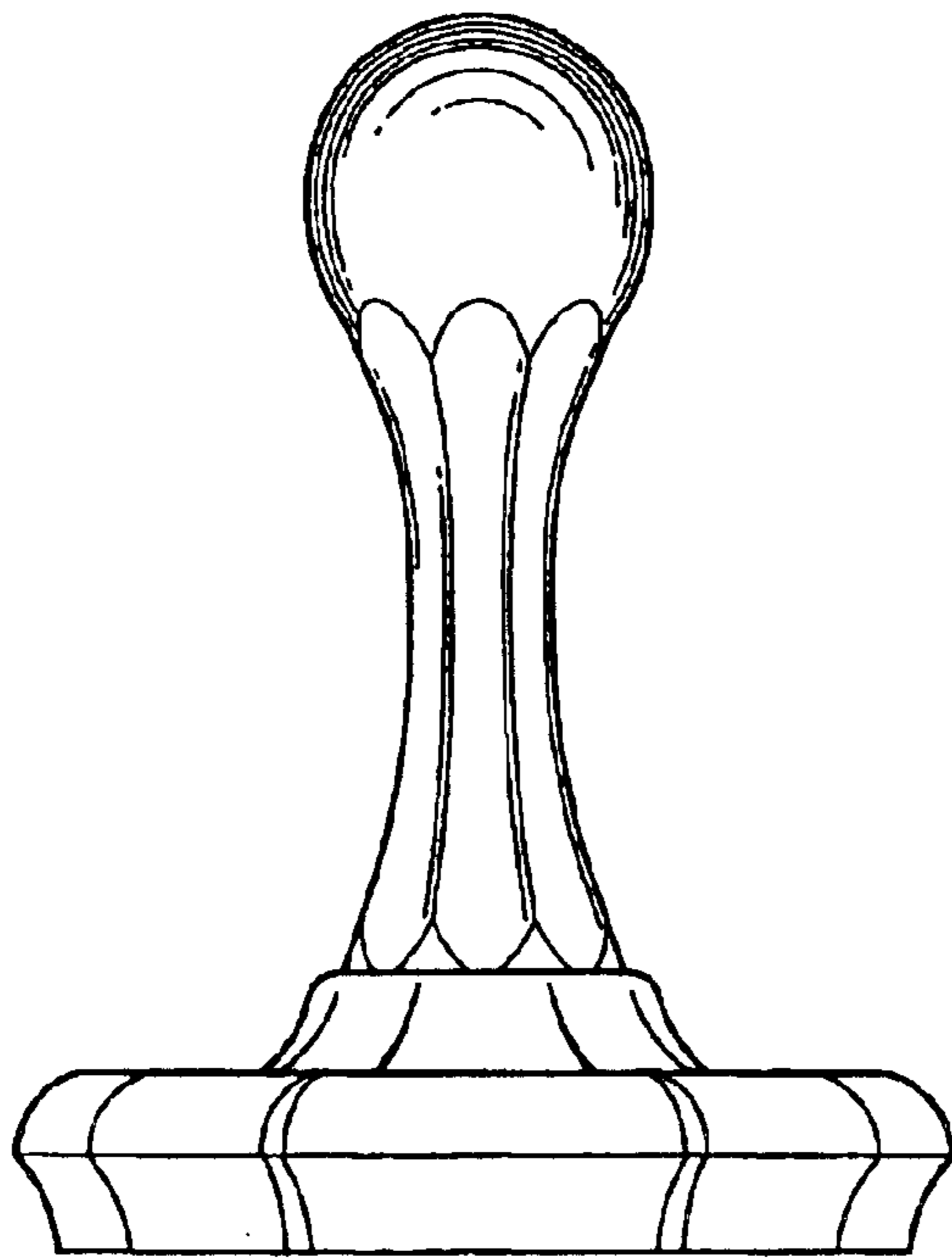


Fig. 4

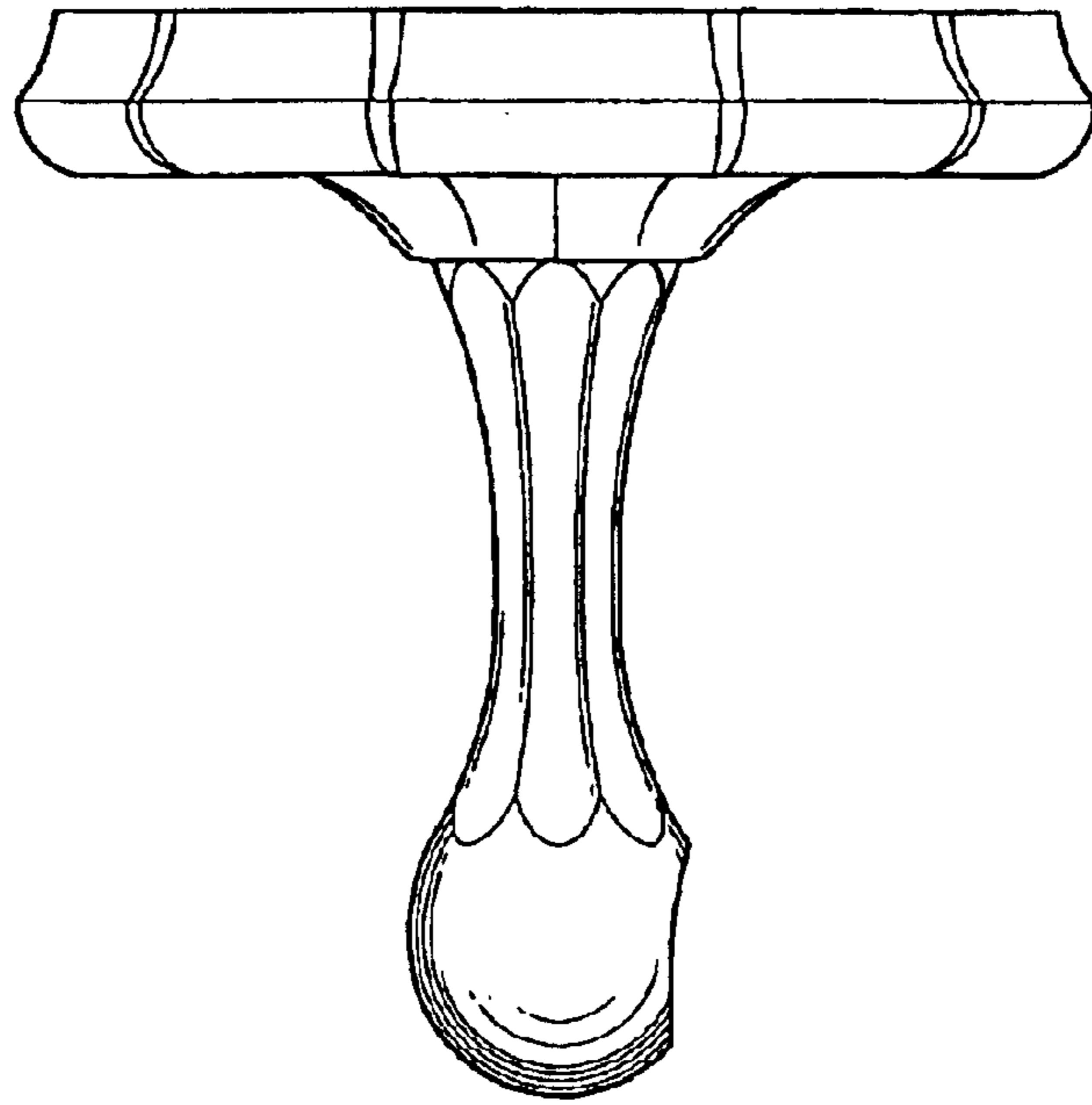


Fig. 6

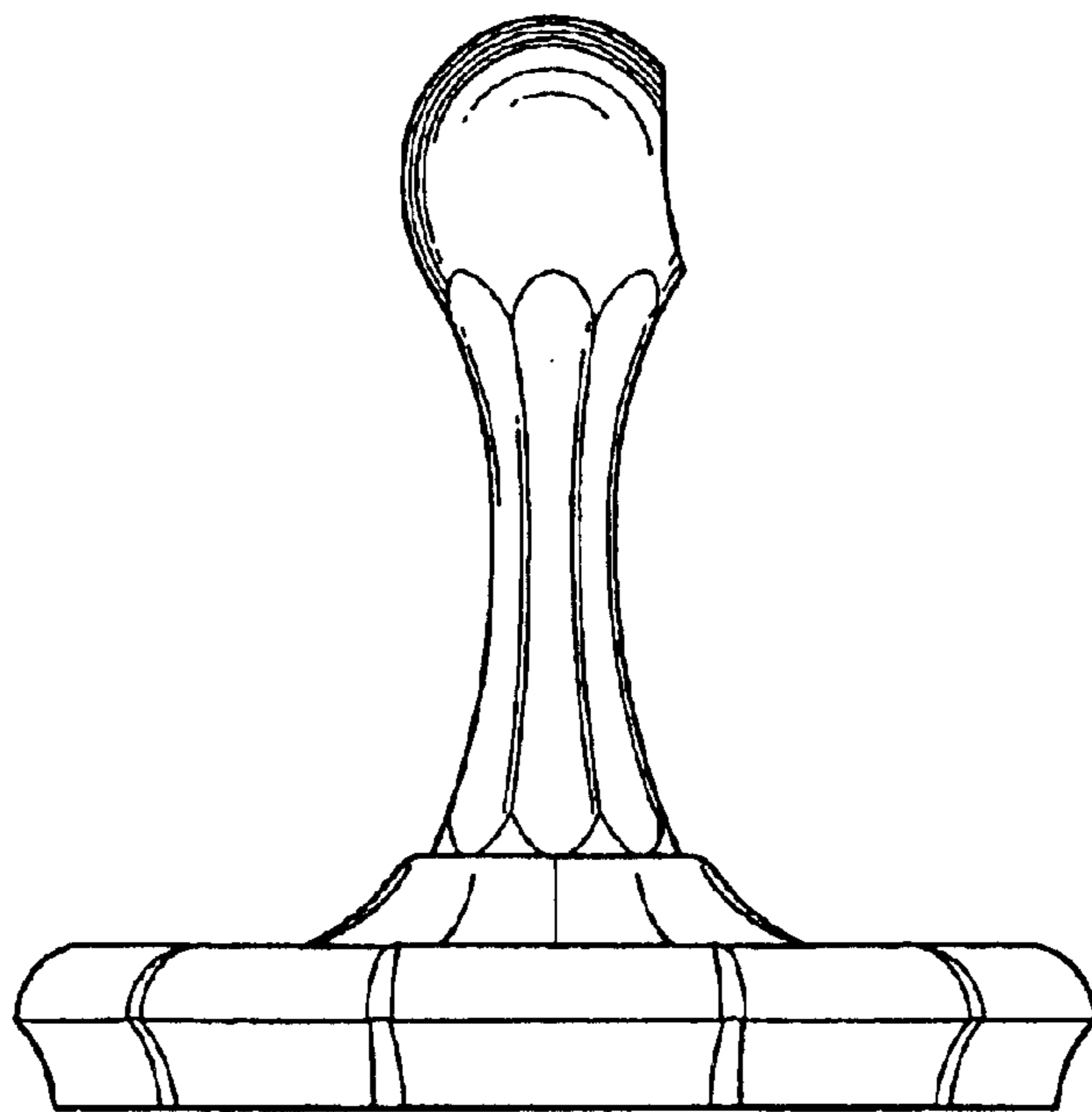


Fig. 7