



US00D498625S

(12) **United States Design Patent** (10) **Patent No.:** **US D498,625 S**  
**Chang** (45) **Date of Patent:** **\*\* Nov. 23, 2004**

(54) **SUPPORT ACCESSORY**

(75) Inventor: **Jim Chang**, San Leandro, CA (US)

(73) Assignee: **Gatco, Inc.**, San Leandro, CA (US)

(\*\*) Term: **14 Years**

(21) Appl. No.: **29/194,464**

(22) Filed: **Nov. 26, 2003**

(51) **LOC (7) Cl.** ..... **23-02**

(52) **U.S. Cl.** ..... **D6/524**

(58) **Field of Search** ..... D6/546-550, 518-519,  
D6/522-524; D8/300, 303, 315-321, 354,  
363, 373, 380; 108/28-29; 211/13.1, 16,  
60.1, 86.01, 87.01, 88.01, 88.04, 100, 105.1-105.2,  
123, 126.1, 133.6, 134, 181.1, 182; 248/175,  
176.1, 200, 251, 302, 309.1; 16/110.1,  
412, 415; 242/570, 590, 595-598; 206/389,  
557

(56) **References Cited**

**U.S. PATENT DOCUMENTS**

D348,509 S	*	7/1994	Bollenbacher	.....	D6/550
D390,397 S	*	2/1998	Chen	.....	D6/550
D409,029 S	*	5/1999	Harris	.....	D6/524
D431,742 S	*	10/2000	Chen	.....	D6/524
D449,950 S	*	11/2001	Lai	.....	D6/524
D466,347 S	*	12/2002	Chen	.....	D6/550
D474,932 S	*	5/2003	Lai	.....	D6/524
D484,720 S	*	1/2004	Moore	.....	D6/524

\* cited by examiner

*Primary Examiner*—Brian N Vinson

(74) *Attorney, Agent, or Firm*—Troxell Law Office PLLC

(57) **CLAIM**

The ornamental design for a support accessory, as shown and described.

**DESCRIPTION**

FIG. 1 is a perspective view taken from the top, front and

right side of a support accessory showing my new design, the first embodiment being in the form of a support for a towel ring or the like;

FIG. 2 is a front elevational view thereof;

FIG. 3 is a right side elevational view thereof, the left side being a mirror image of the right;

FIG. 4 is a top plan view thereof, the bottom being a mirror image of the top;

FIG. 5 is a perspective view take from the top, front and right side of a support accessory showing my new design, this second embodiment being in the form of a support for a double towel bar or the like;

FIG. 6 is a front elevational view thereof;

FIG. 7 is a left side elevational view thereof;

FIG. 8 is a right side elevational view thereof;

FIG. 9 is top plan view thereof;

FIG. 10 is a bottom plan view thereof;

FIG. 11 is a perspective view taken from the top, front and right side of a support accessory showing my new design, this third embodiment being in the form of a support for a glass shelf or the like;

FIG. 12 is a front elevational view thereof;

FIG. 13 is a right side elevational view thereof, the left side being a mirror image of the right;

FIG. 14 is a top plan view thereof;

FIG. 15 is a bottom plan view thereof;

FIG. 16 is a perspective view taken from the top, front and right side of a support accessory showing my new design this fourth embodiment being in the form of a support for a towel bar or the like;

FIG. 17 is a front elevational view thereof;

FIG. 18 is a left side elevational view thereof;

FIG. 19 is a right side elevational view thereof;

FIG. 20 is top plan view thereof, the bottom being a mirror image of the top;

FIG. 21 is a perspective view taken from the top, front and right side of a support accessory showing my new design, this fifth embodiment being in the form of a support for a hook or the like;

FIG. 22 is a front elevational view thereof;

FIG. 23 is a right side elevational view thereof, the left side being a mirror image of the right;

FIG. 24 is a top plan view thereof;

FIG. 25 is a bottom plan view thereof;

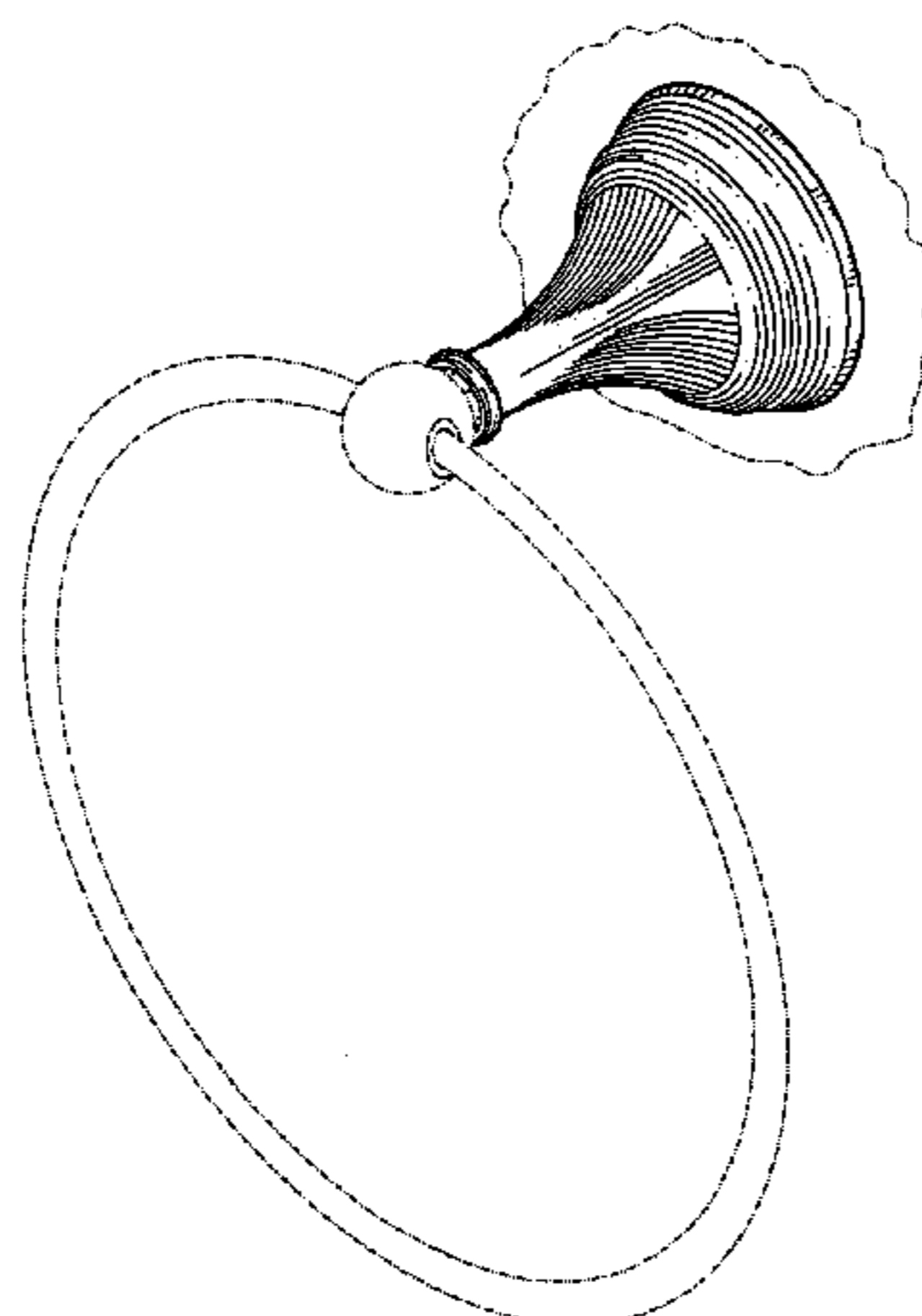


FIG. 26 is a perspective view take from the top, front and right side of a support accessory showing my new design, this sixth embodiment being in the form of a support for a toilet paper holder or the like;

FIG. 27 is a front elevational view thereof;

FIG. 28 is a left side elevational view thereof;

FIG. 29 is a right side elevational view thereof; and,

FIG. 30 is a top plan view thereof, the bottom being a mirror image of the top.

The broken-line disclosure in the views is for illustrative purposes only and forms no part of the claimed design.

**1 Claim, 11 Drawing Sheets**

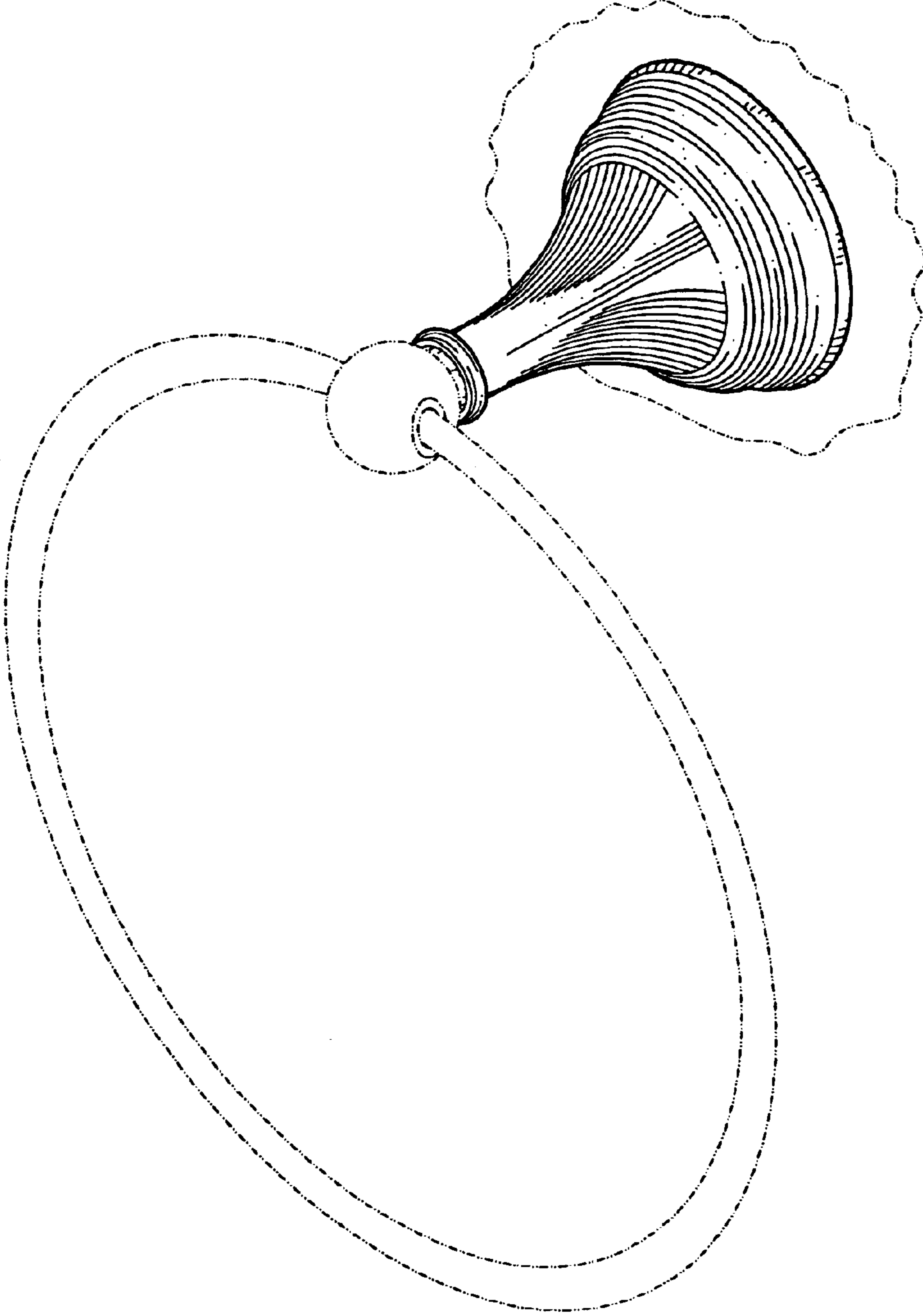


FIG. 1

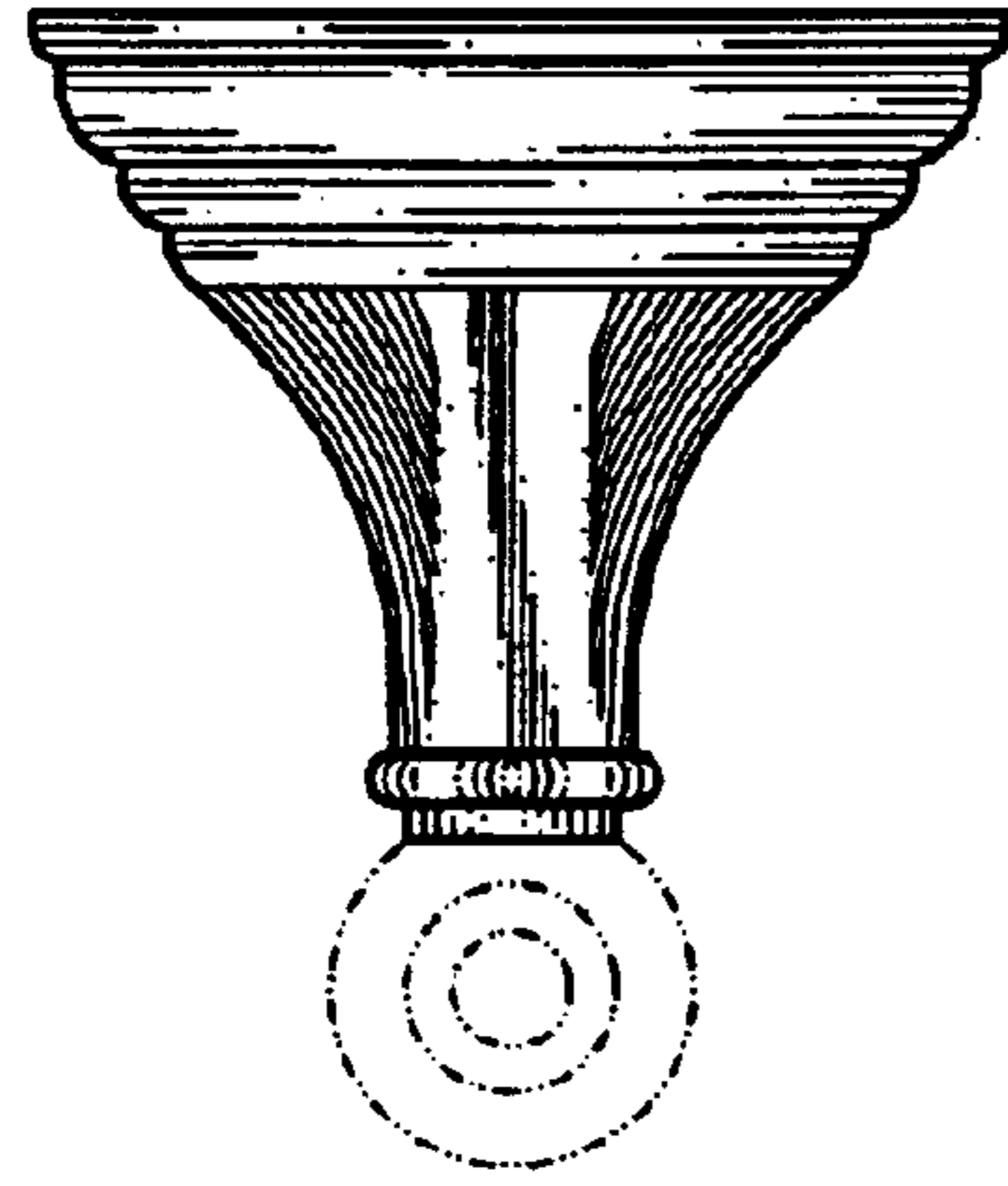


FIG. 3

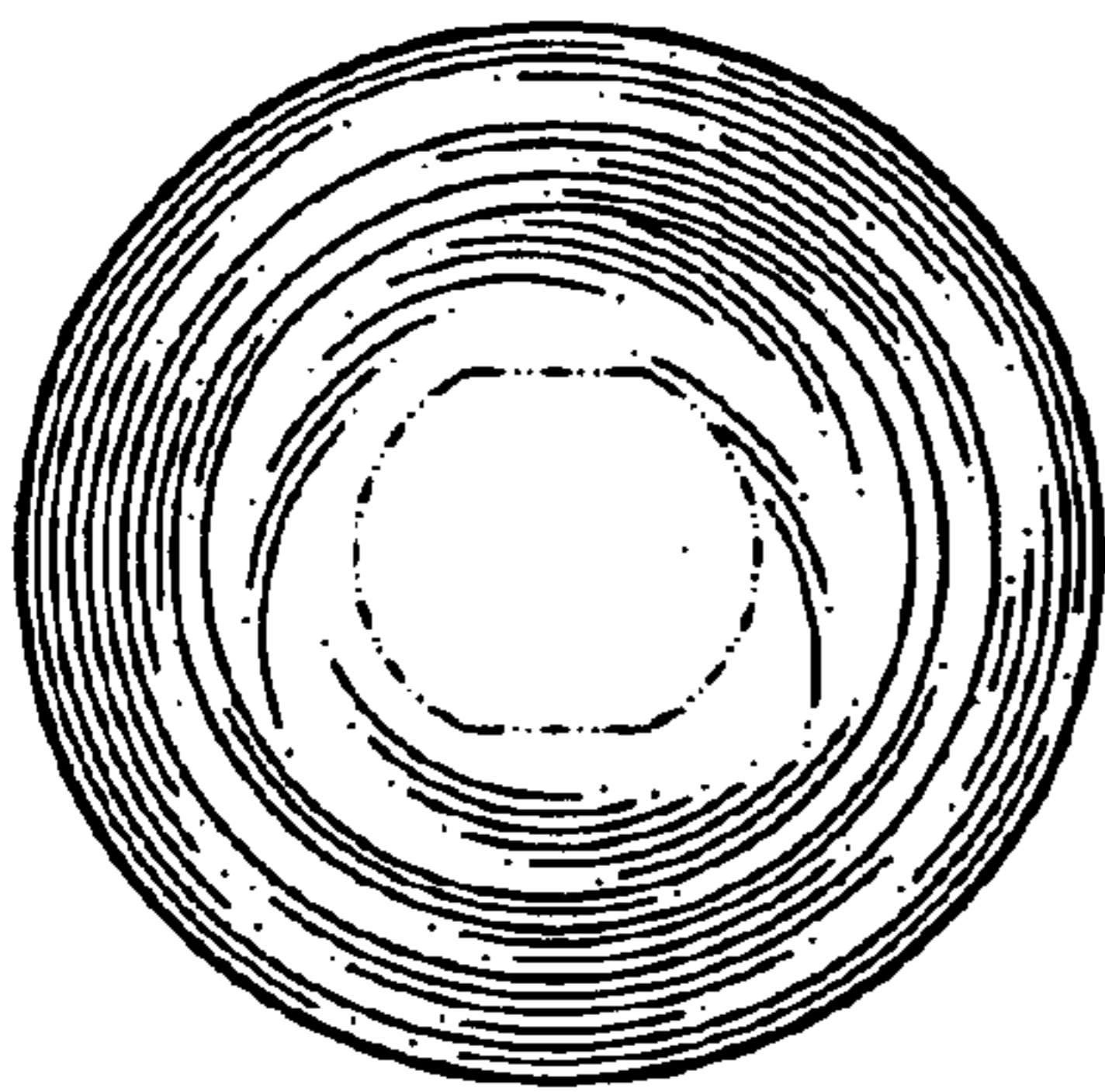


FIG. 2

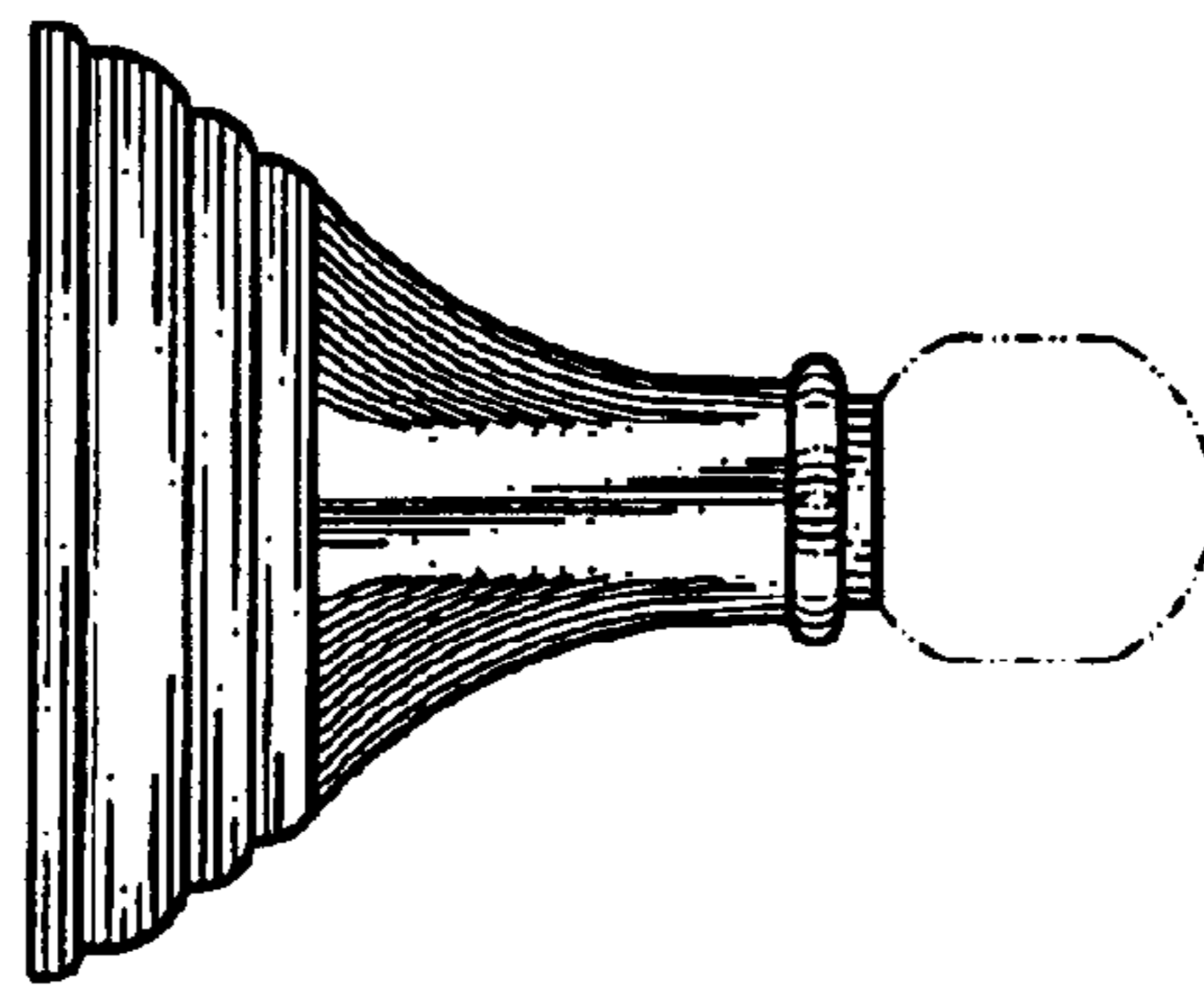


FIG. 4

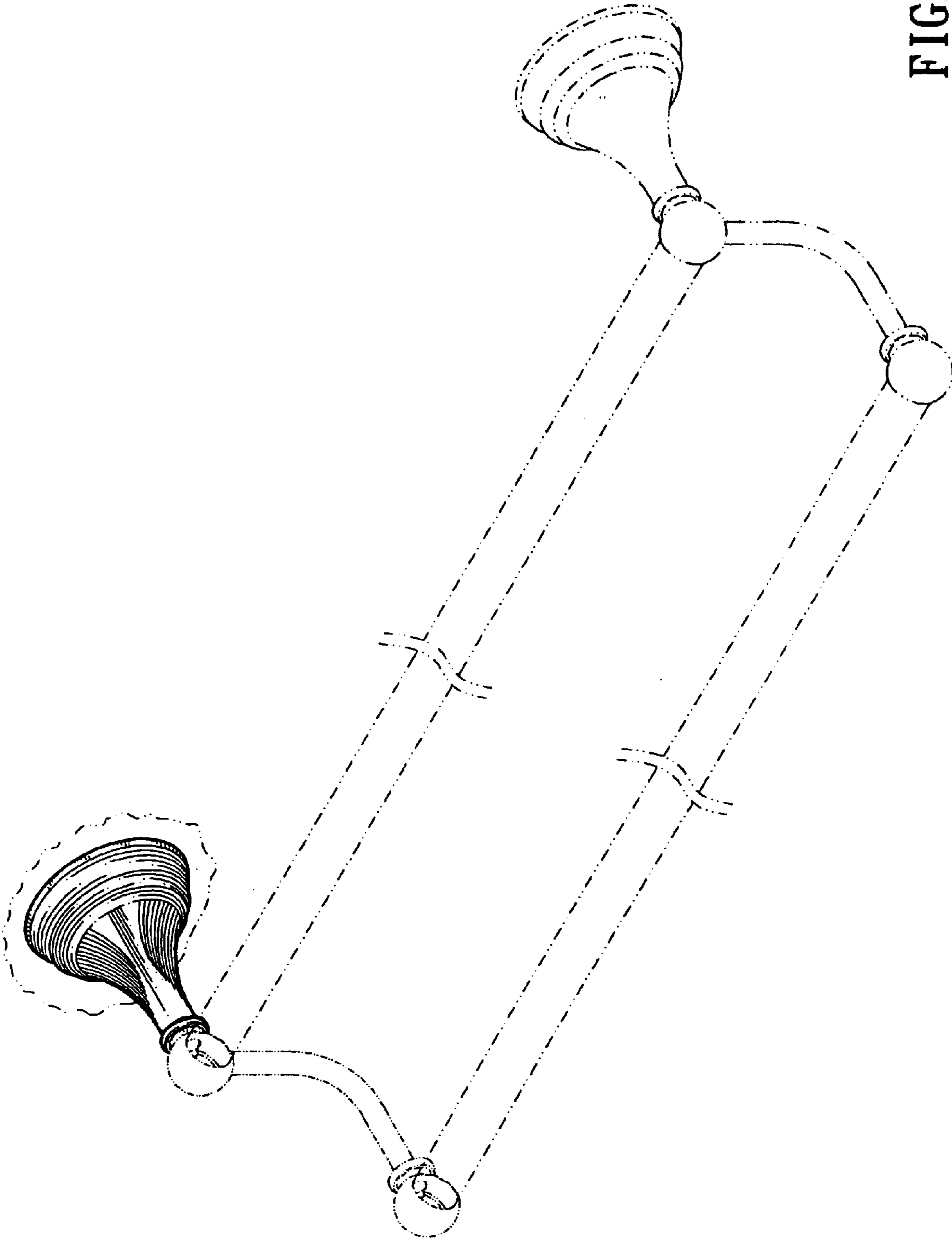


FIG. 5

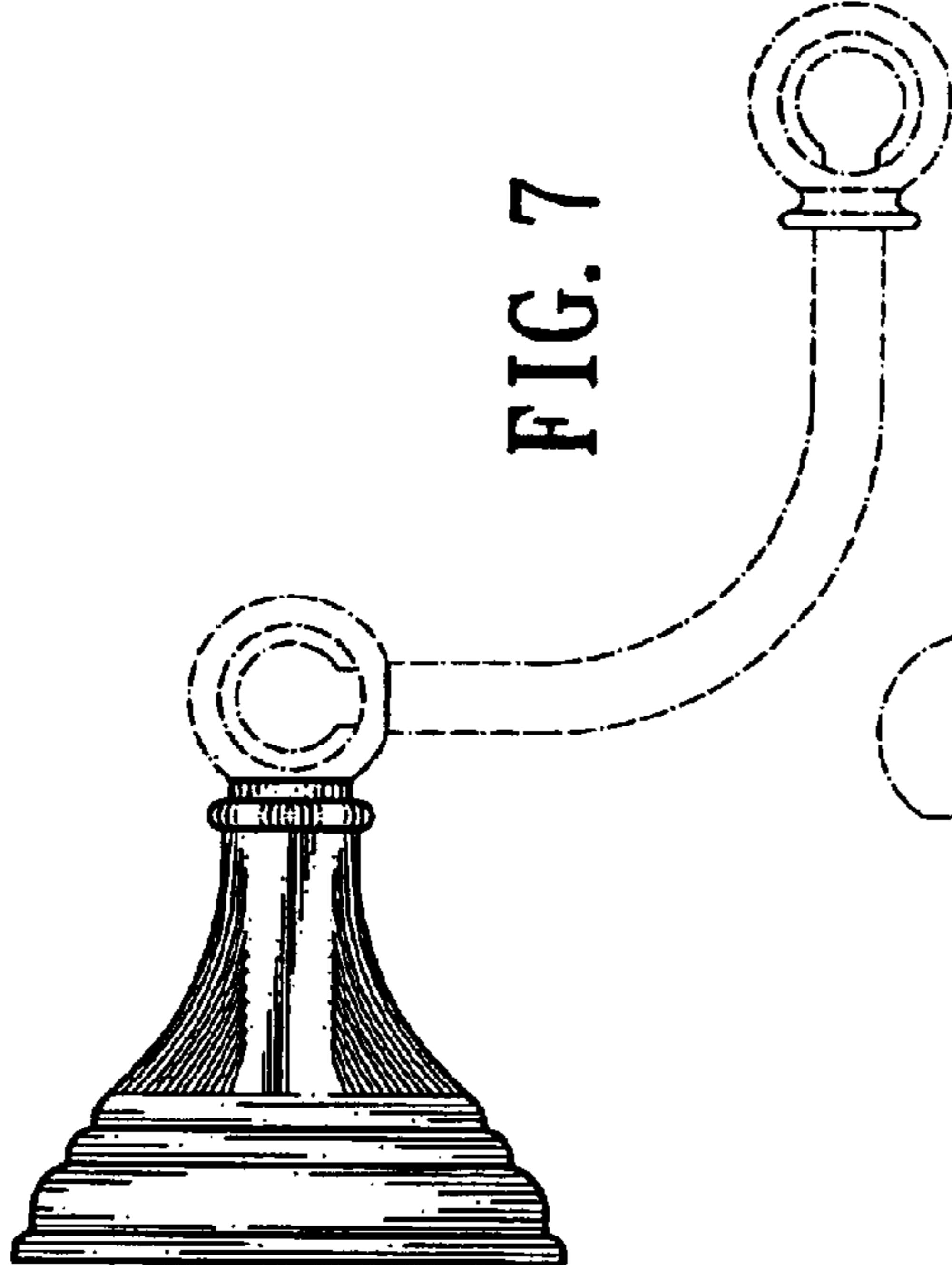


FIG. 7

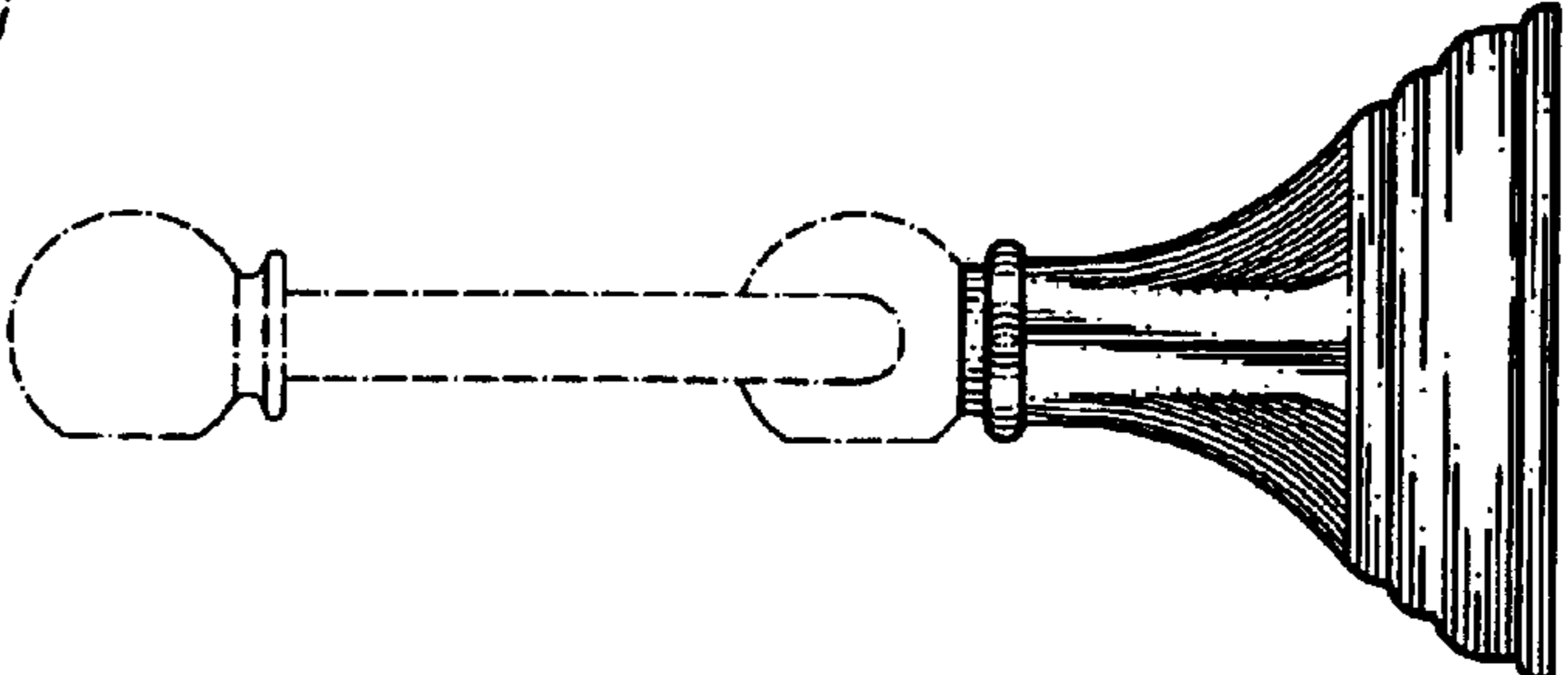


FIG. 10

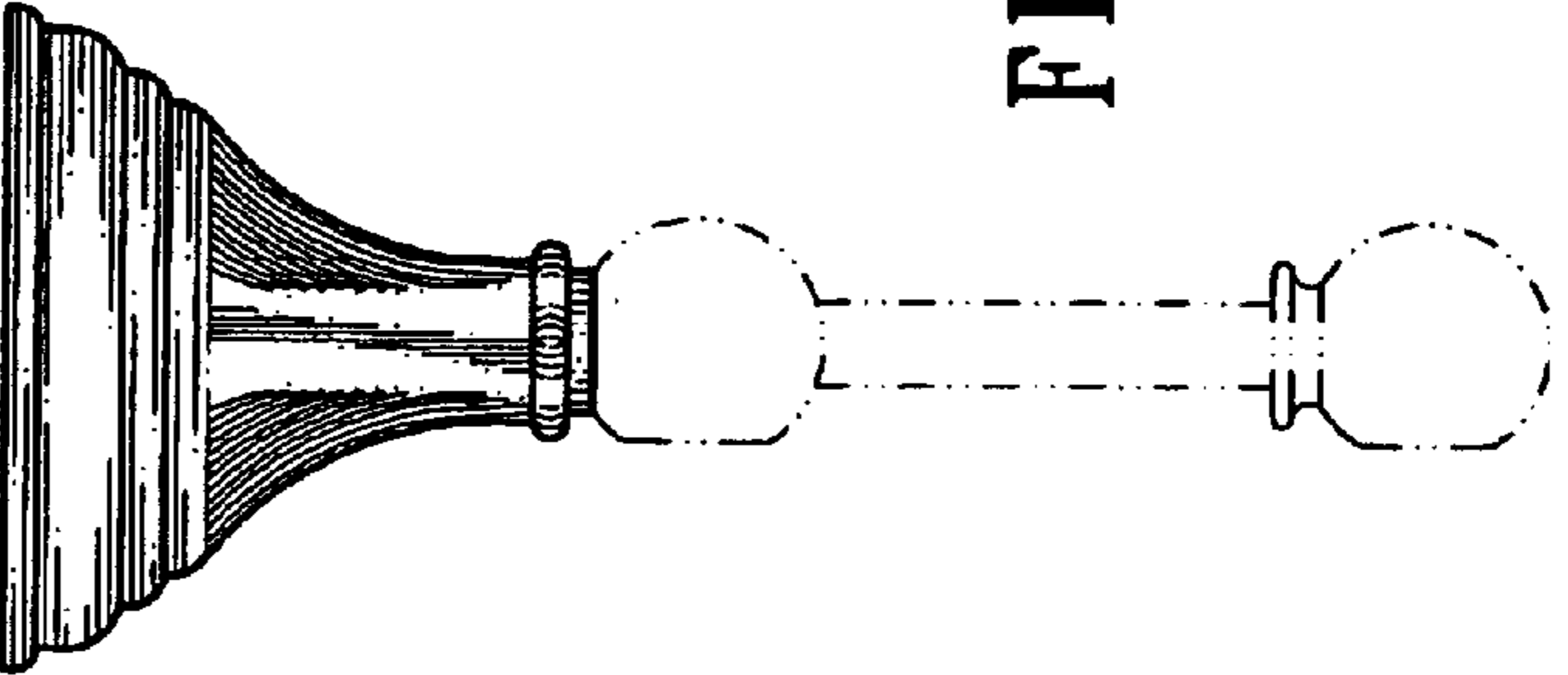


FIG. 9

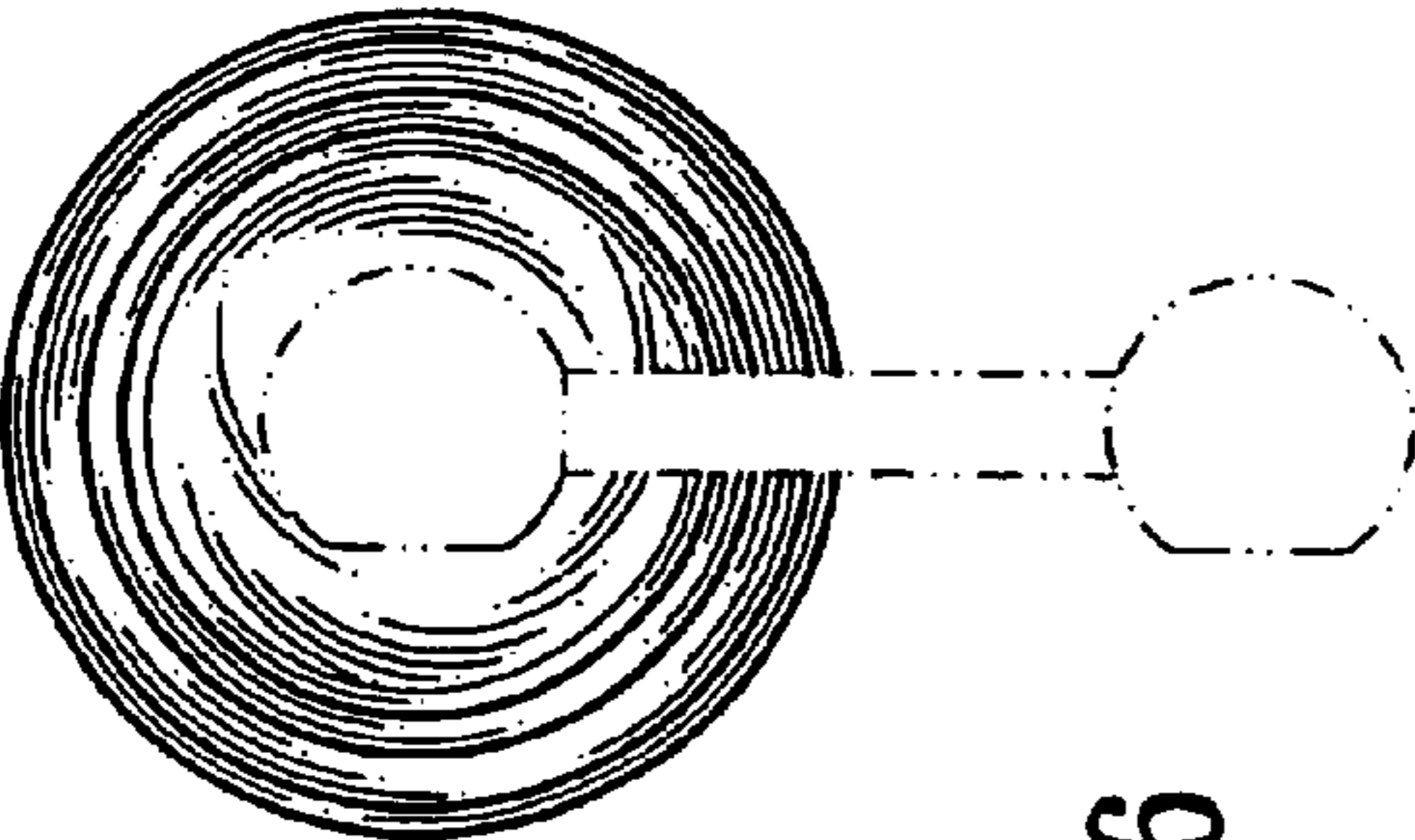


FIG. 6

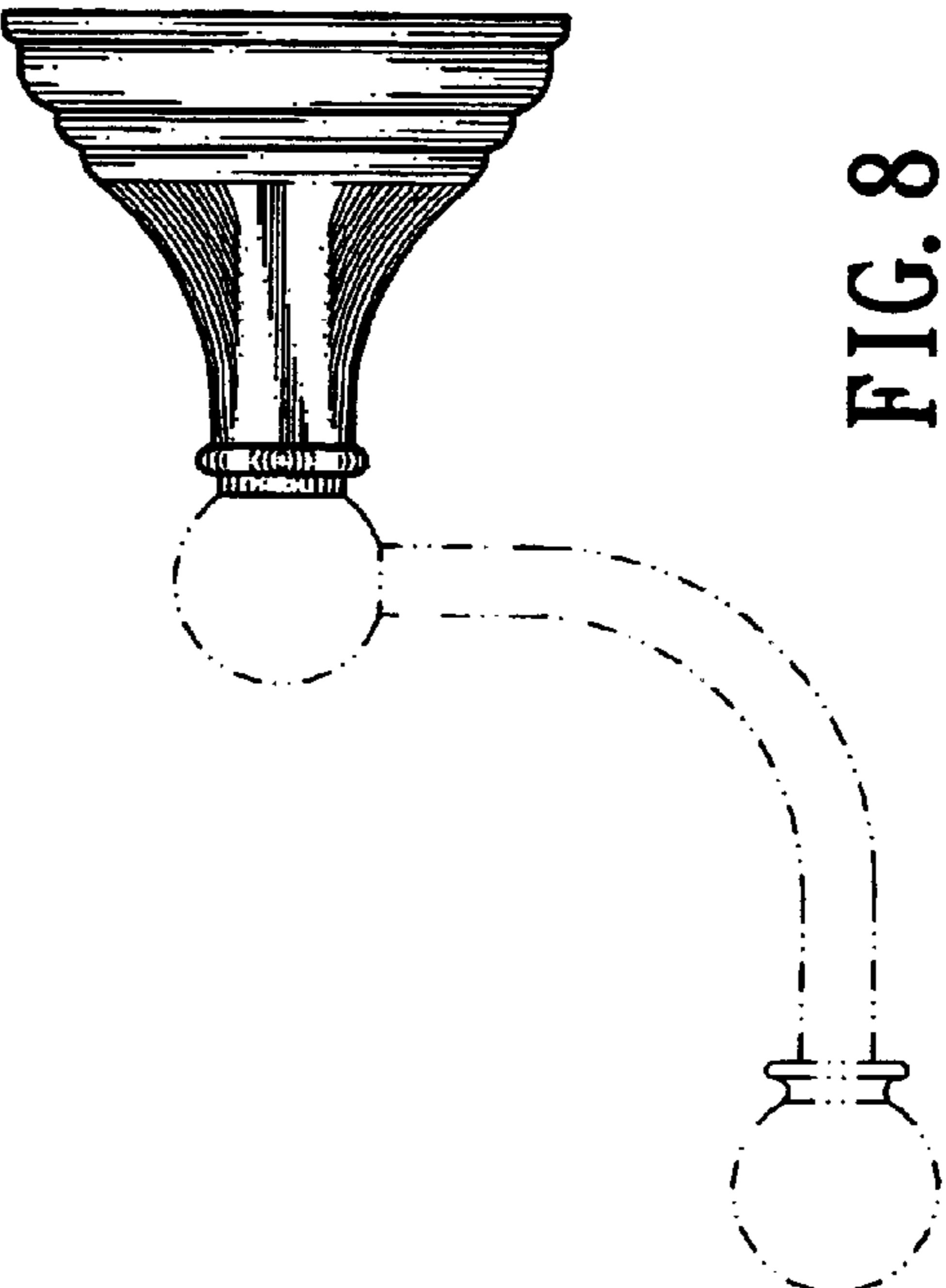


FIG. 8

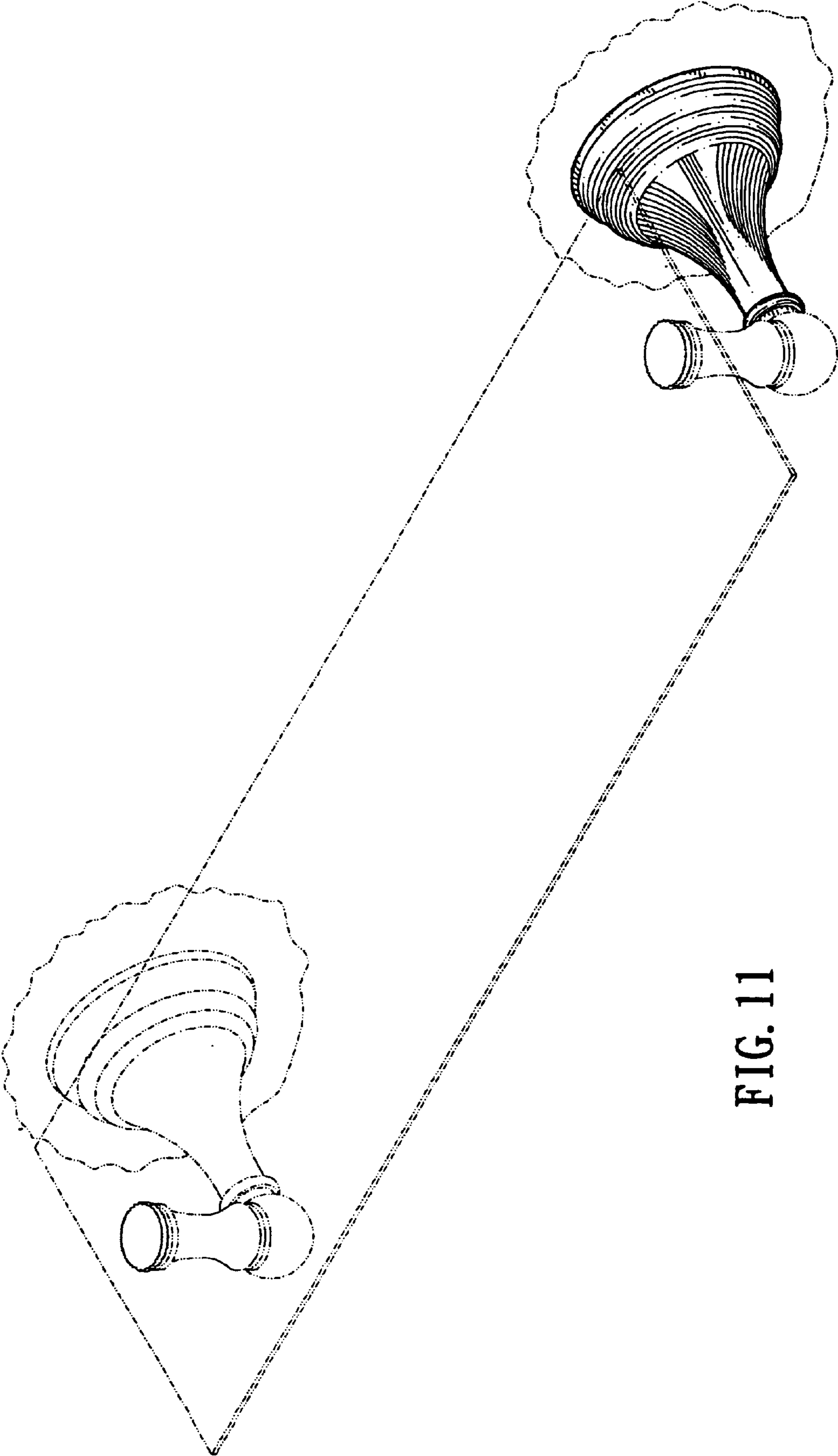


FIG. 11

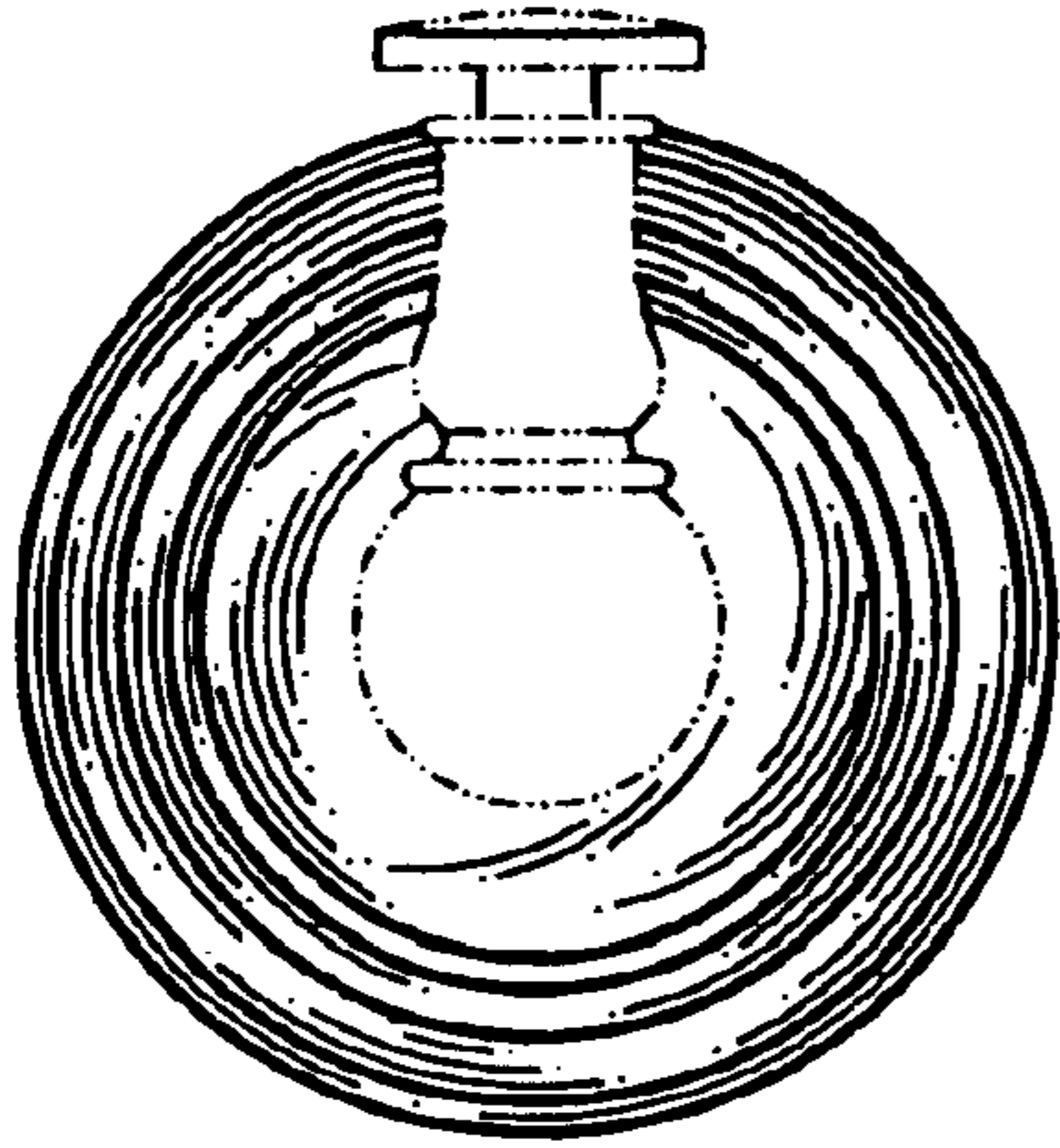


FIG. 12

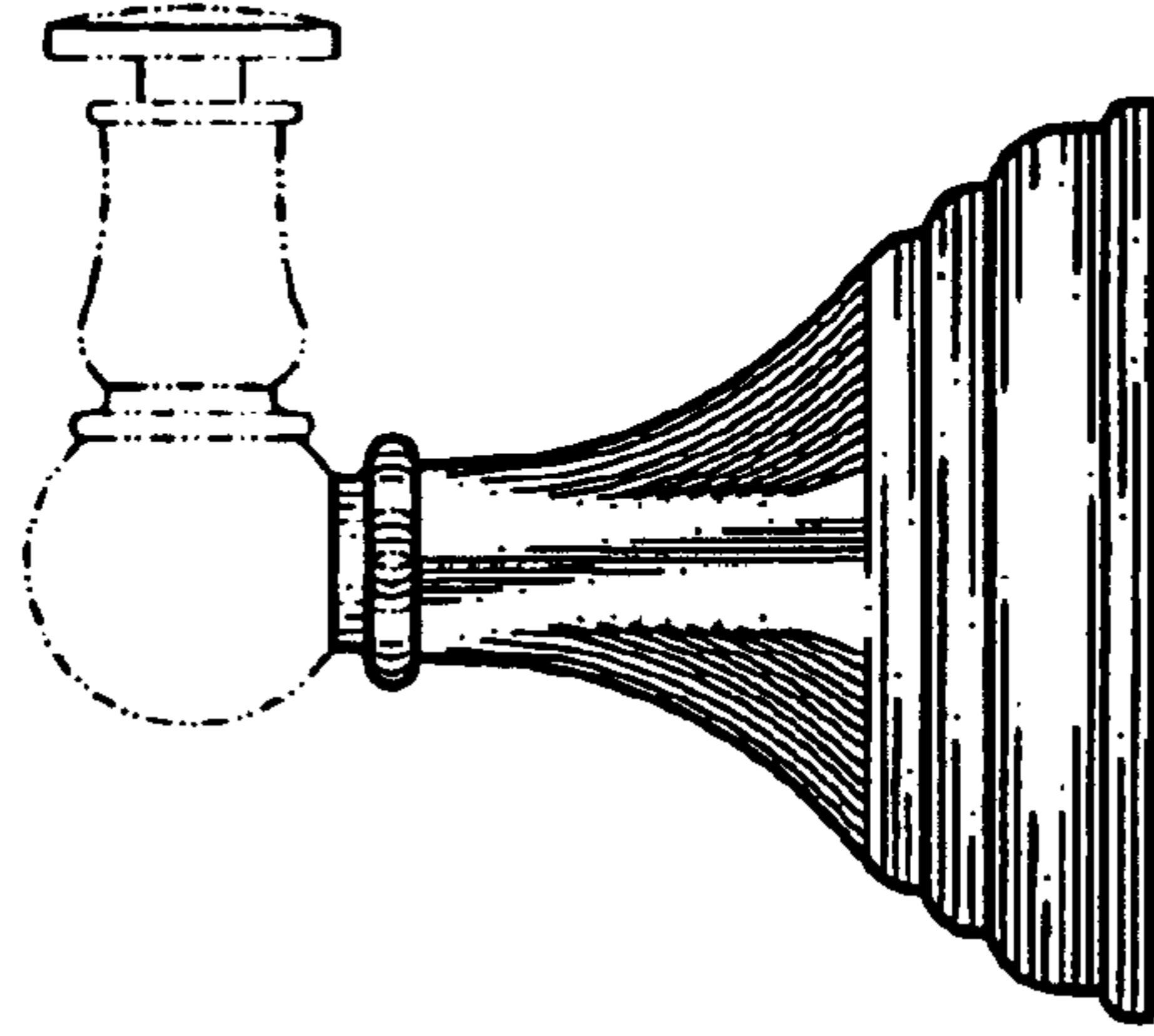


FIG. 13

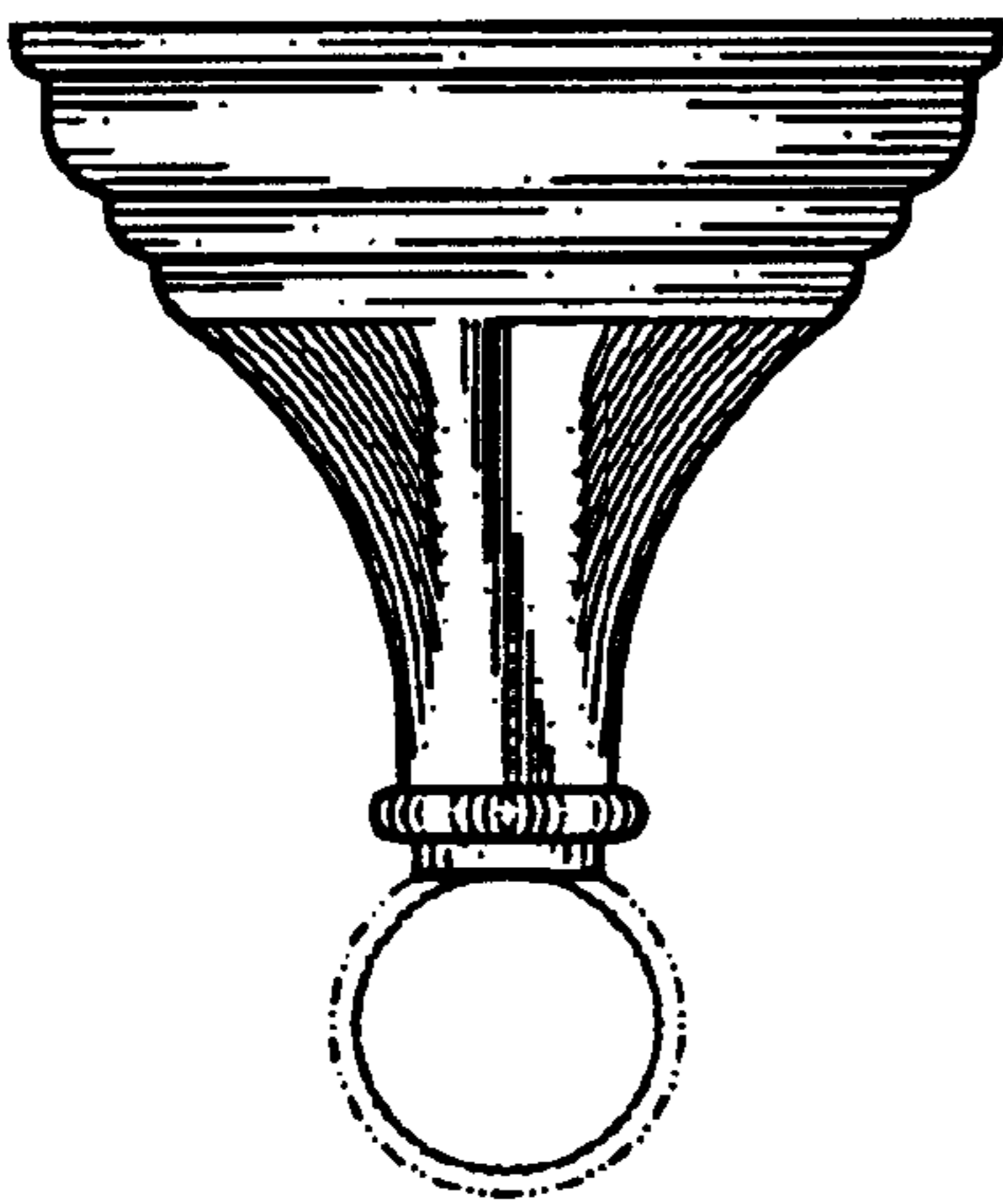


FIG. 14

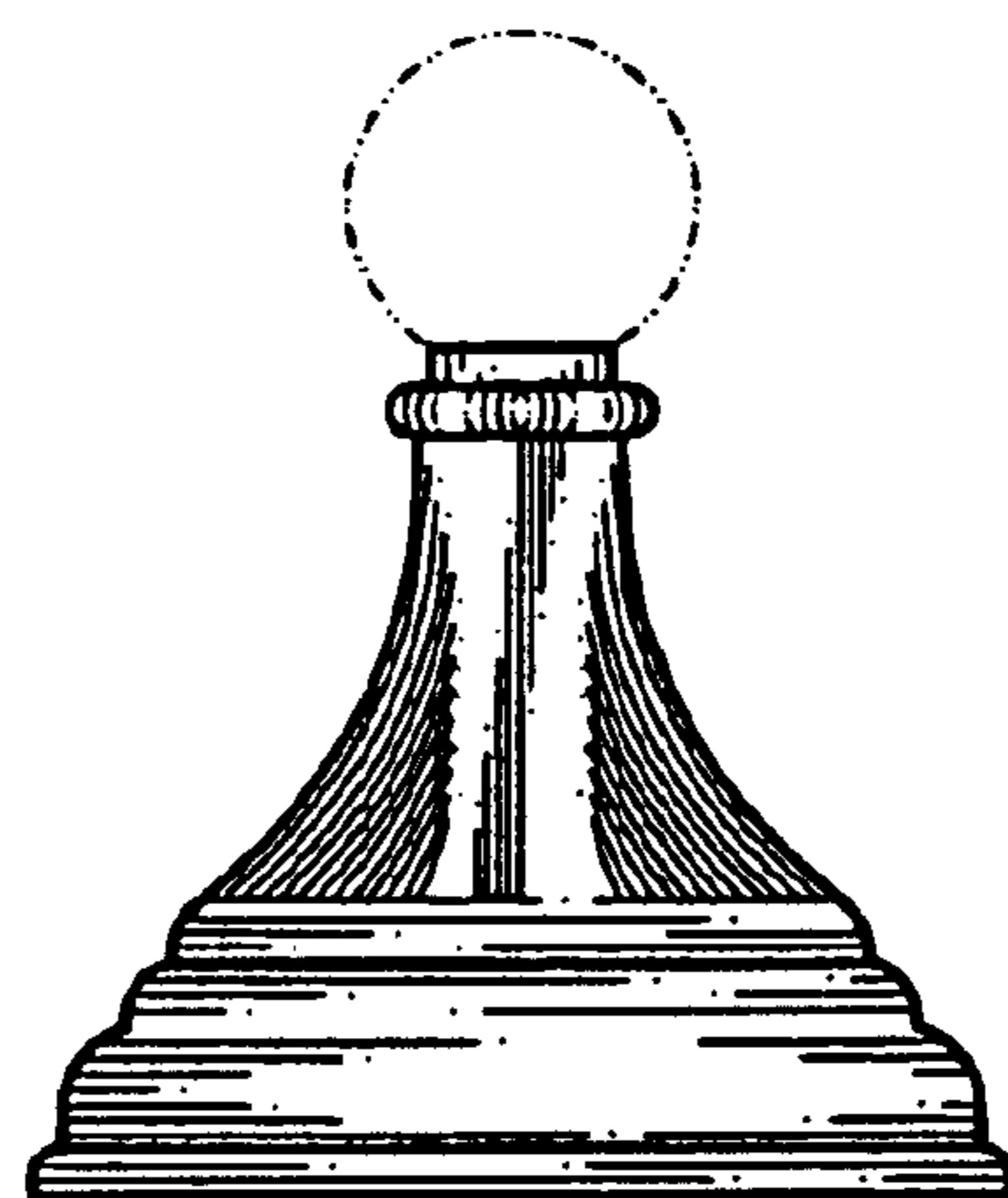


FIG. 15



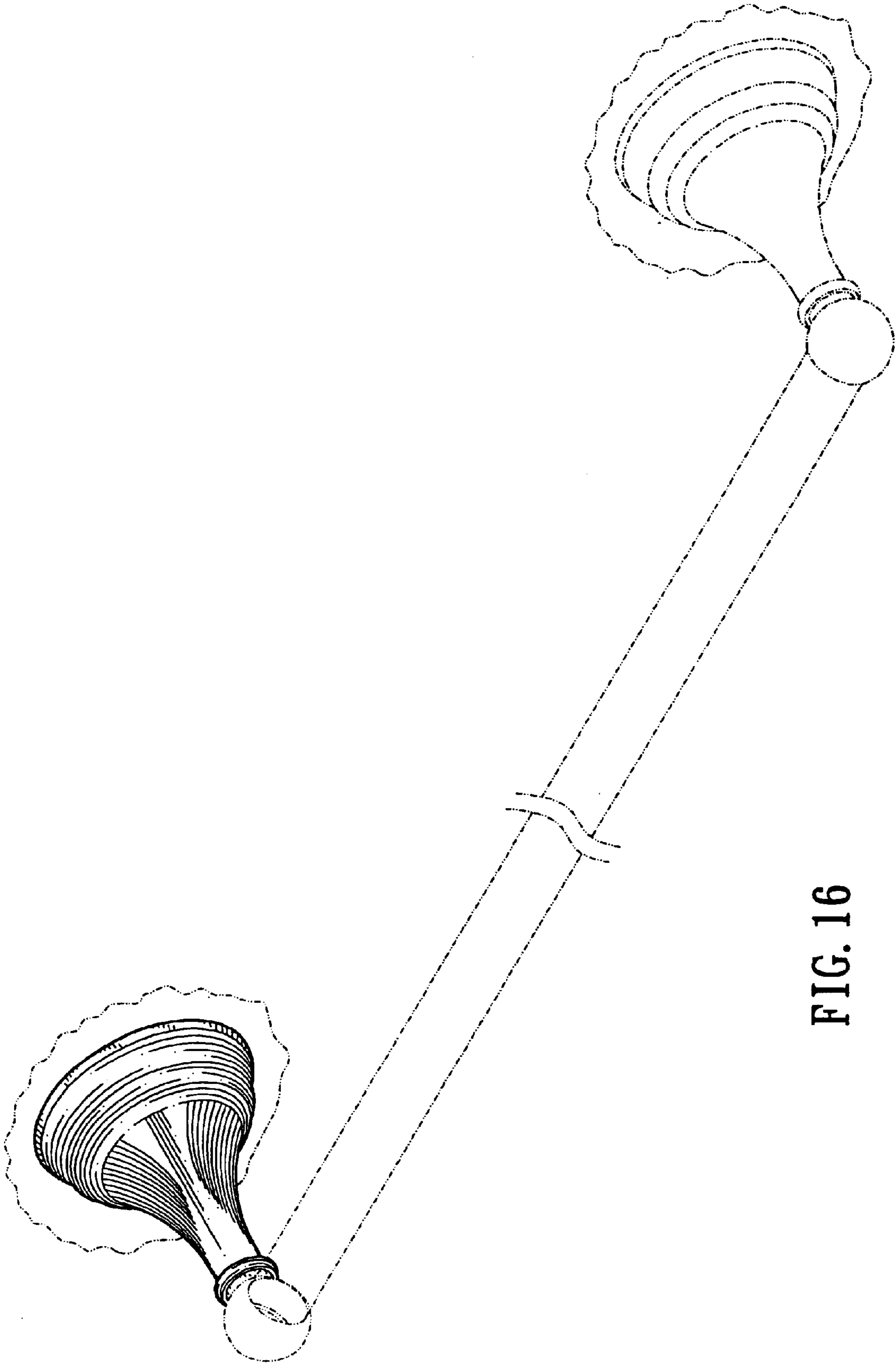


FIG. 16

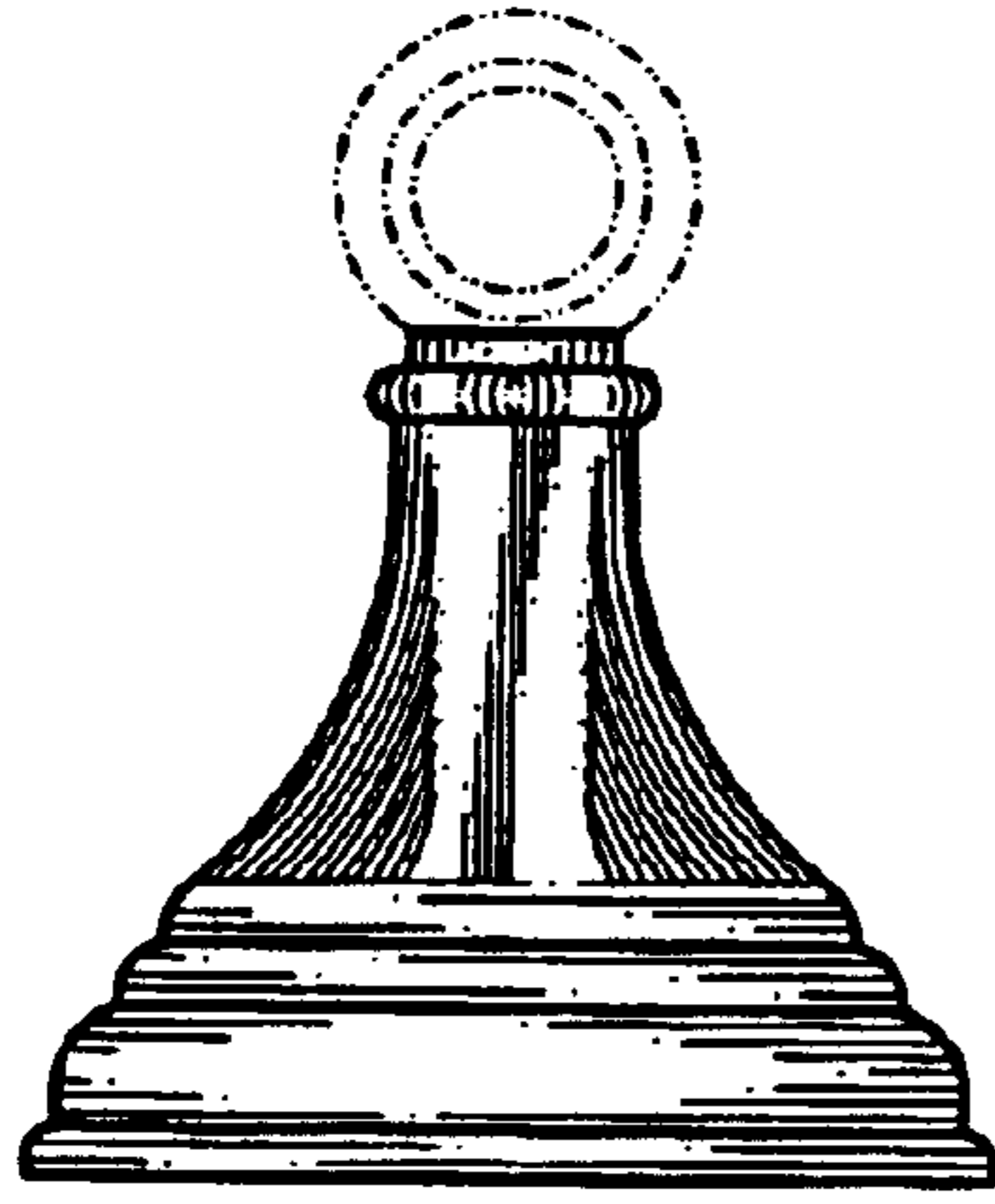


FIG. 18

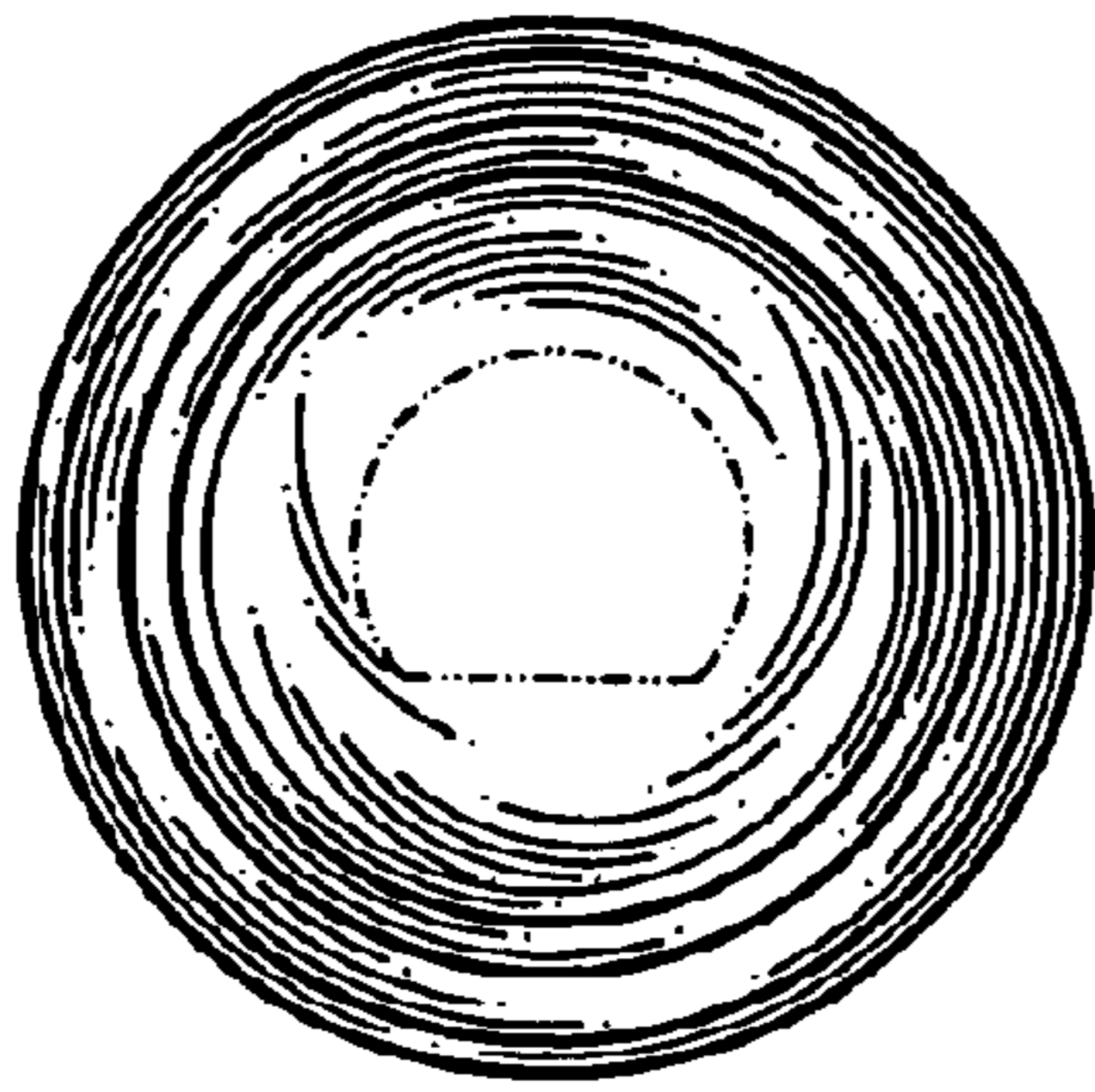


FIG. 17

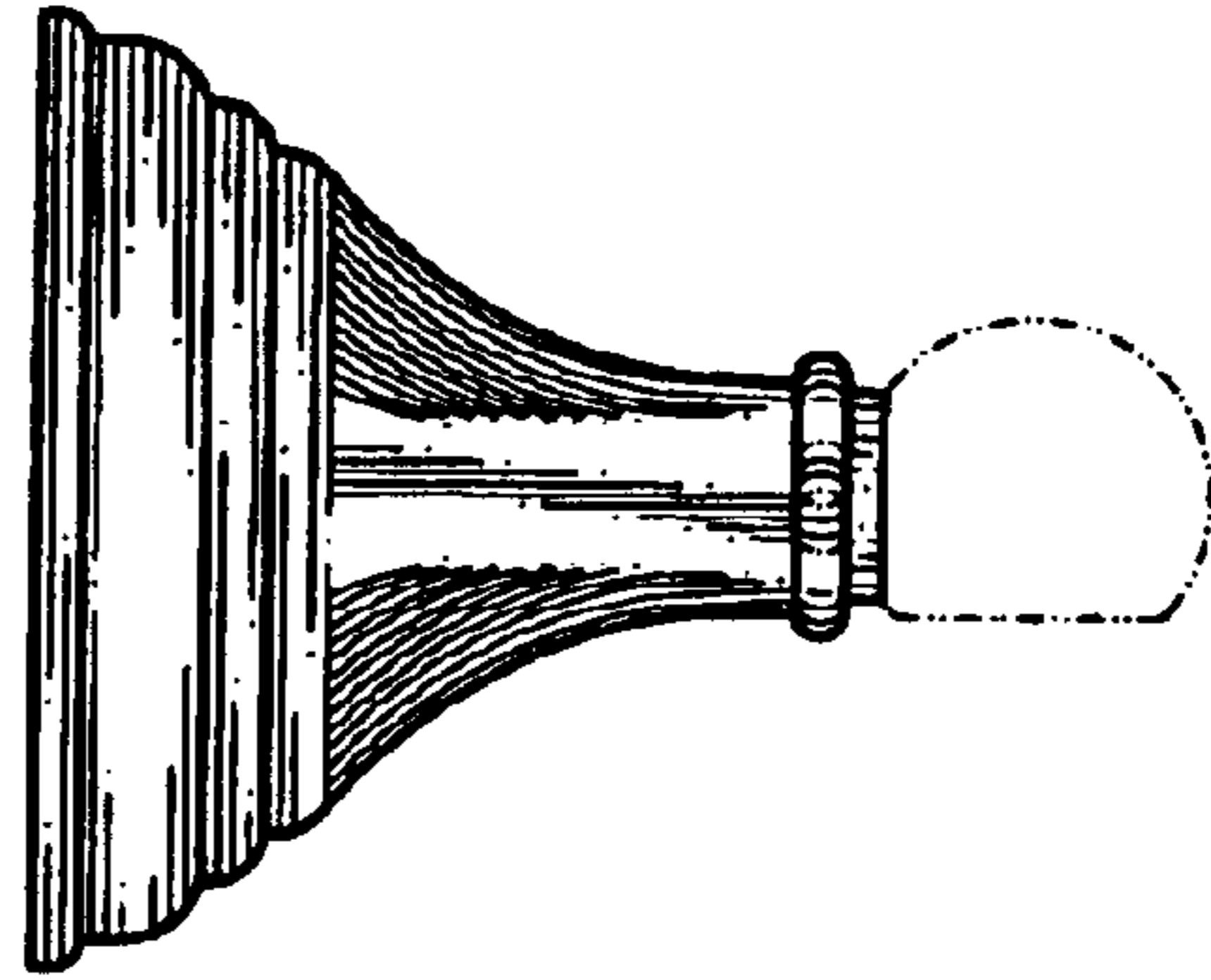


FIG. 20

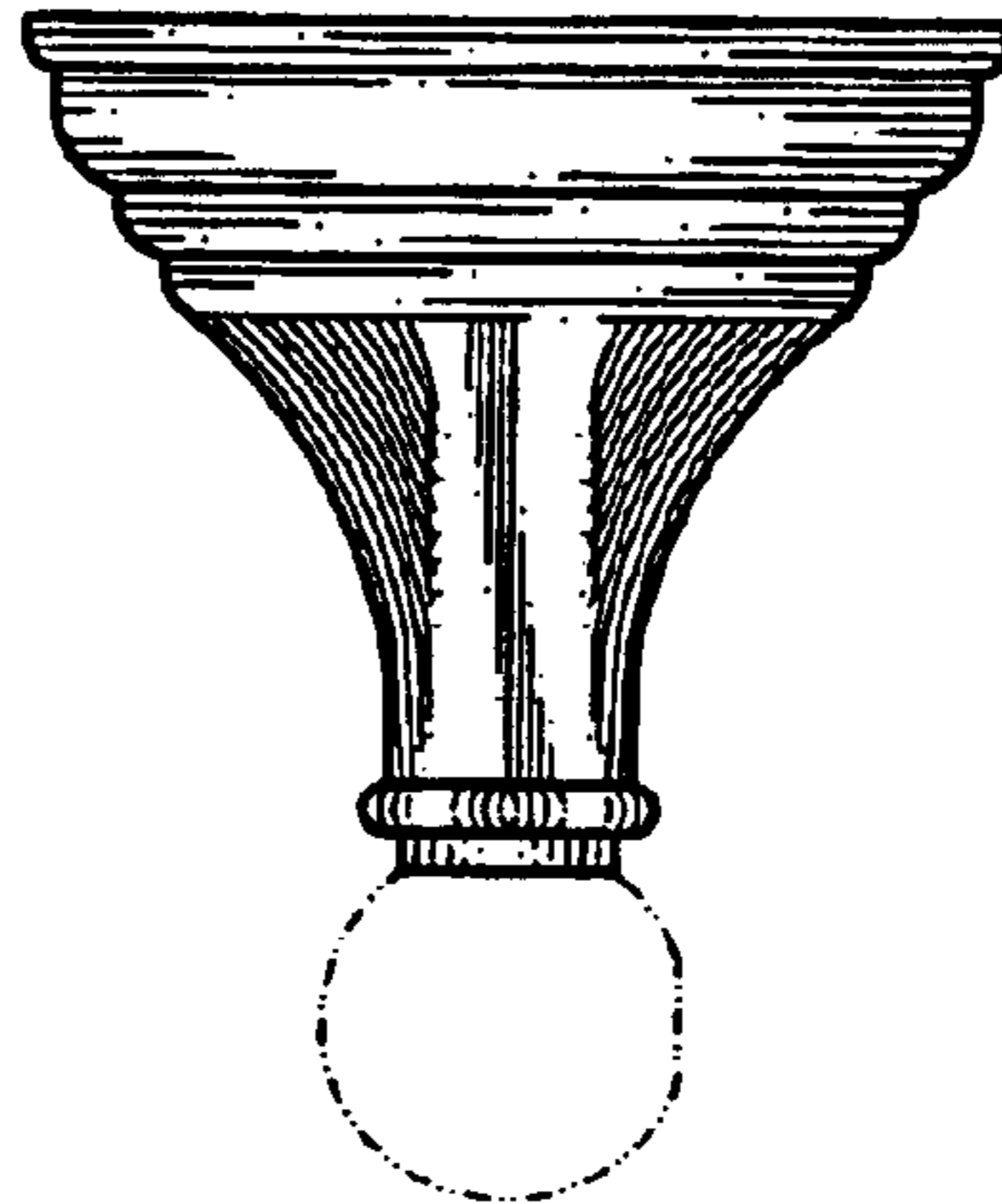


FIG. 19

FIG. 23

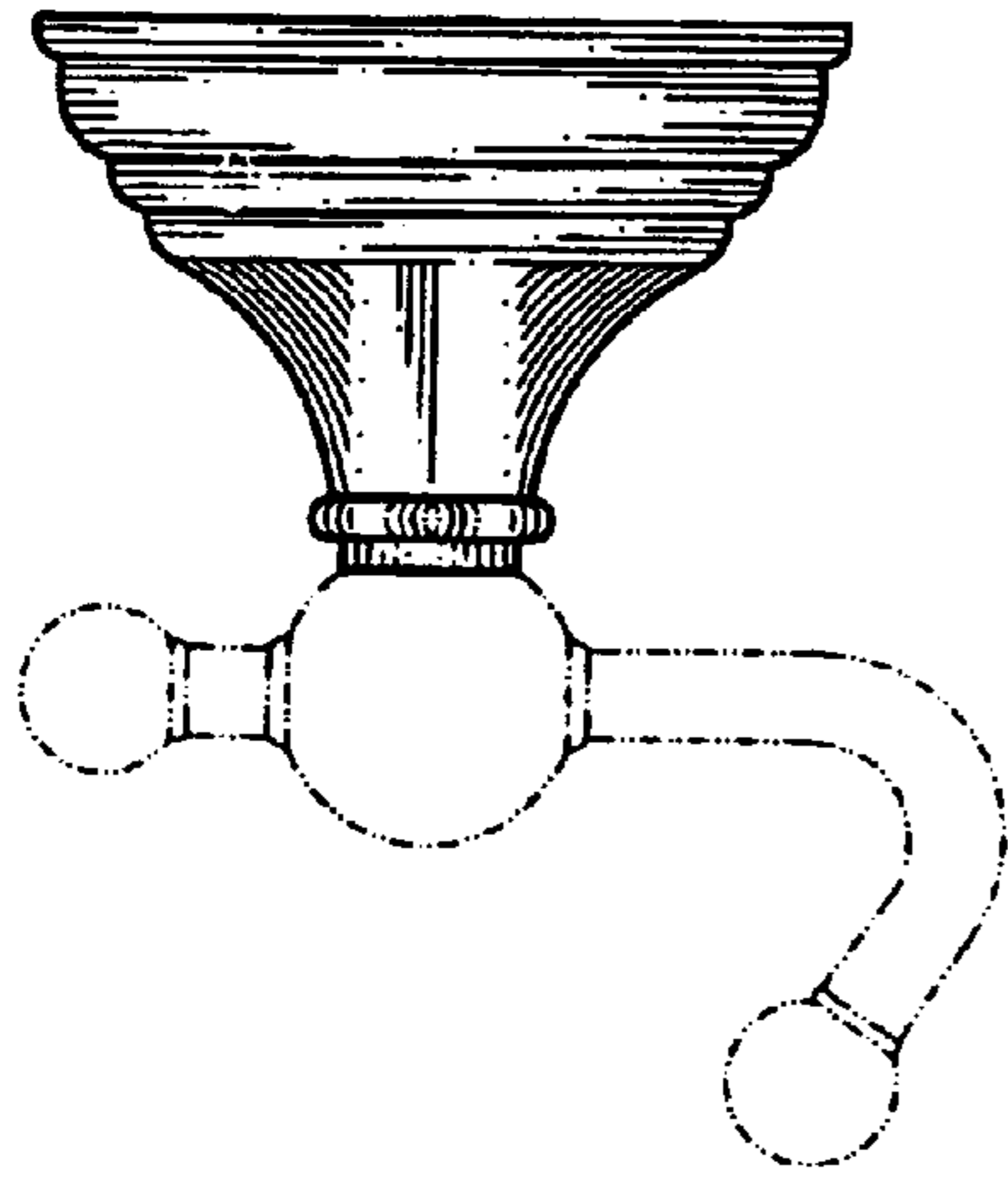


FIG. 24

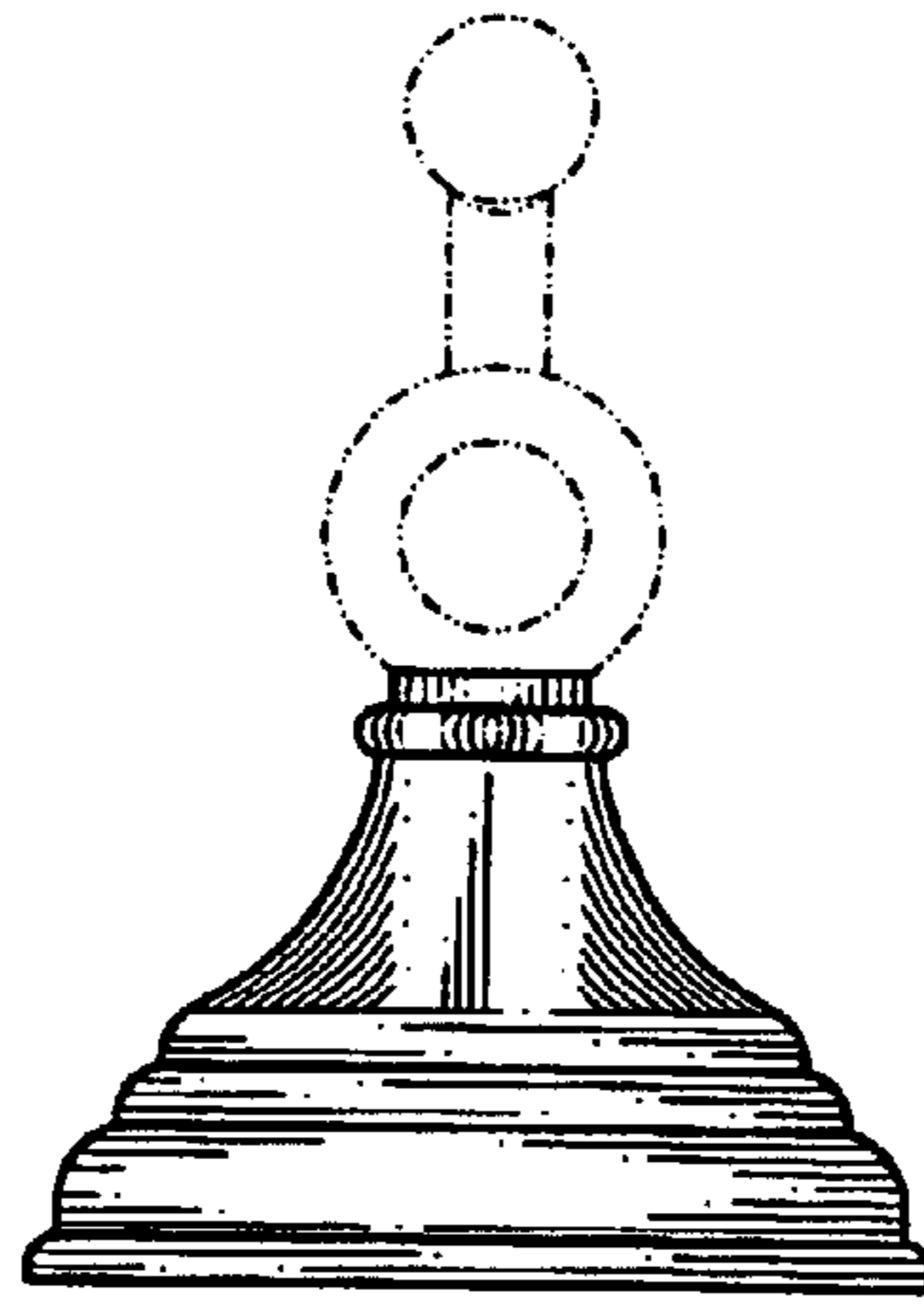


FIG. 25

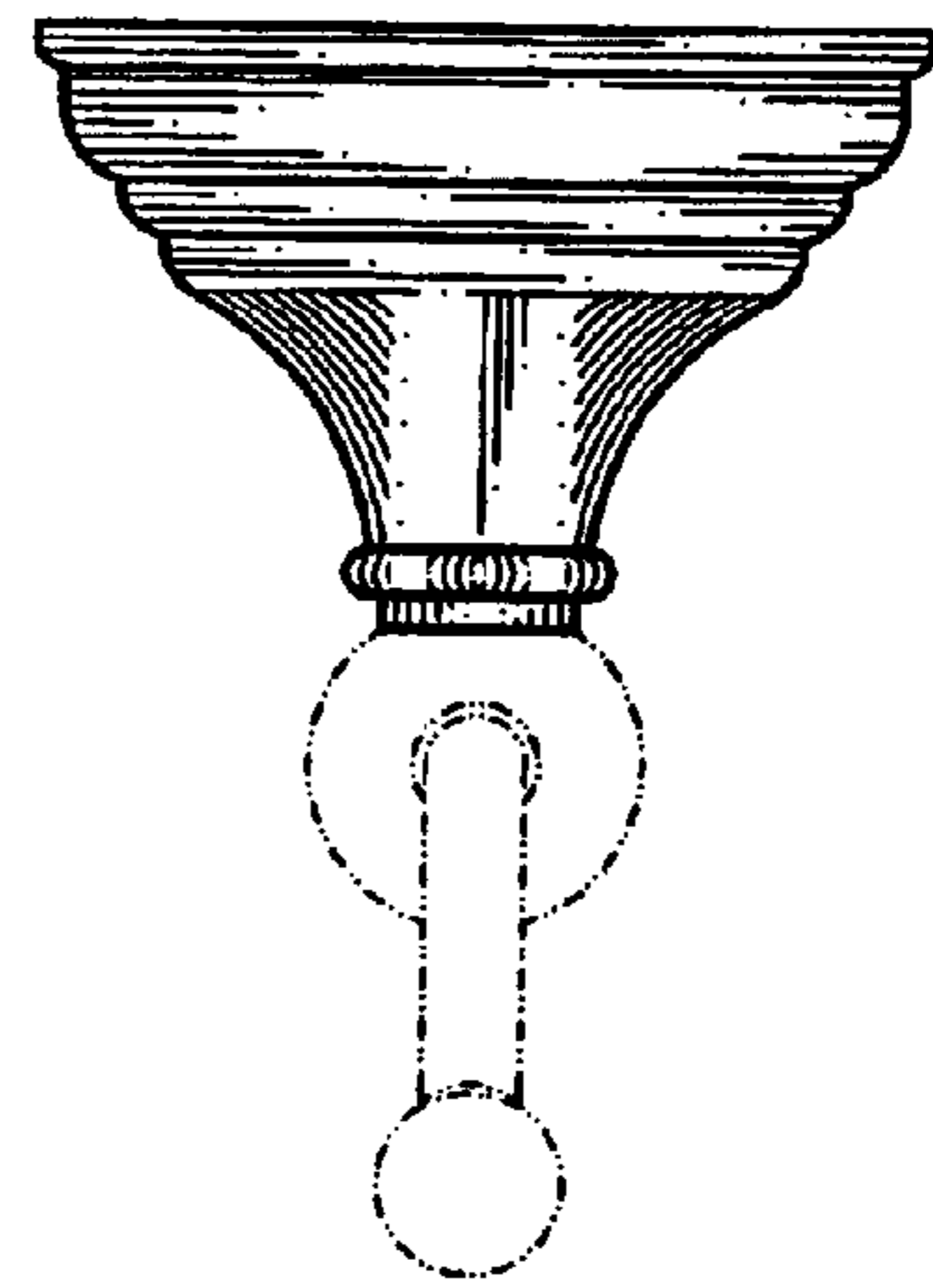


FIG. 22

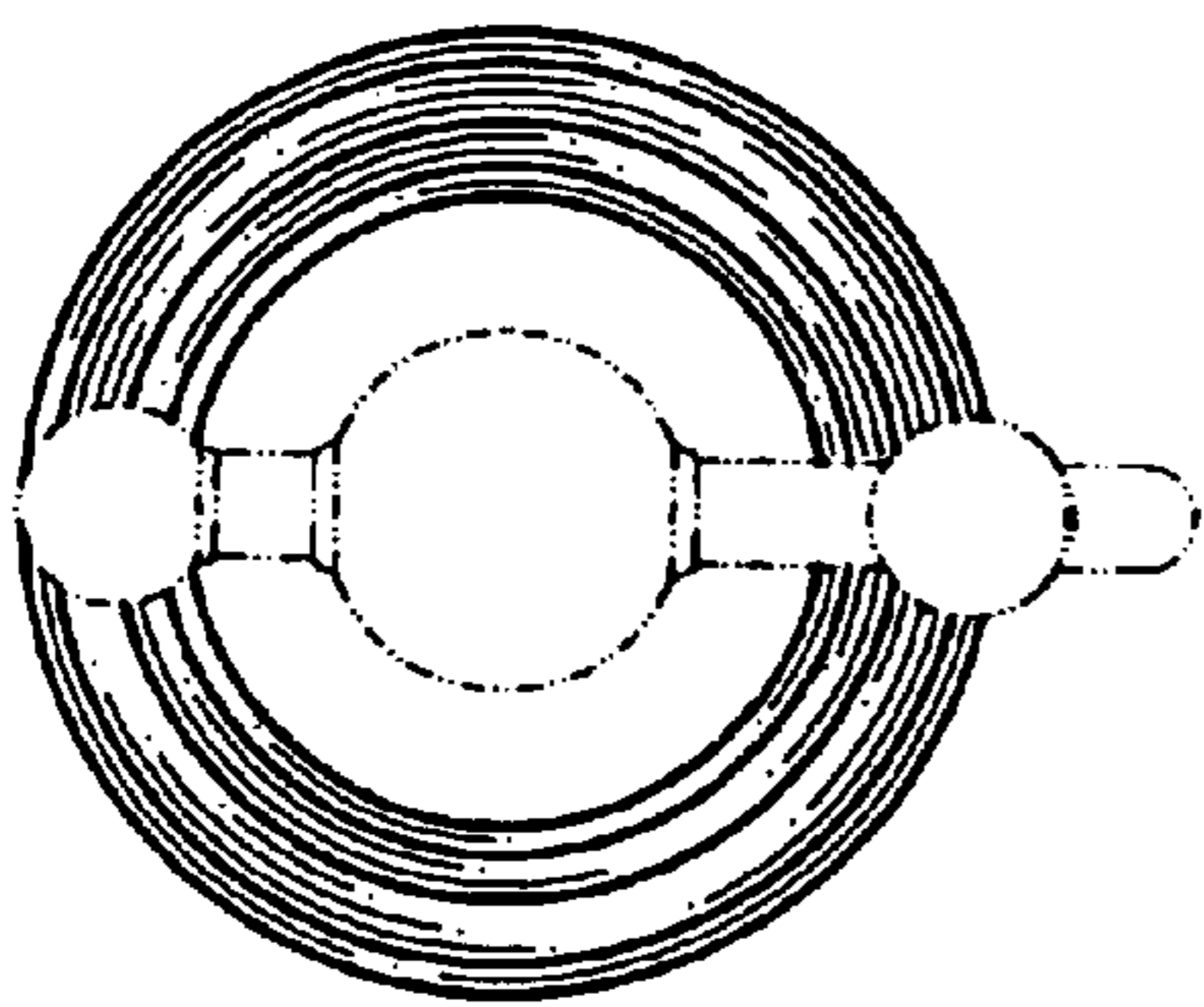
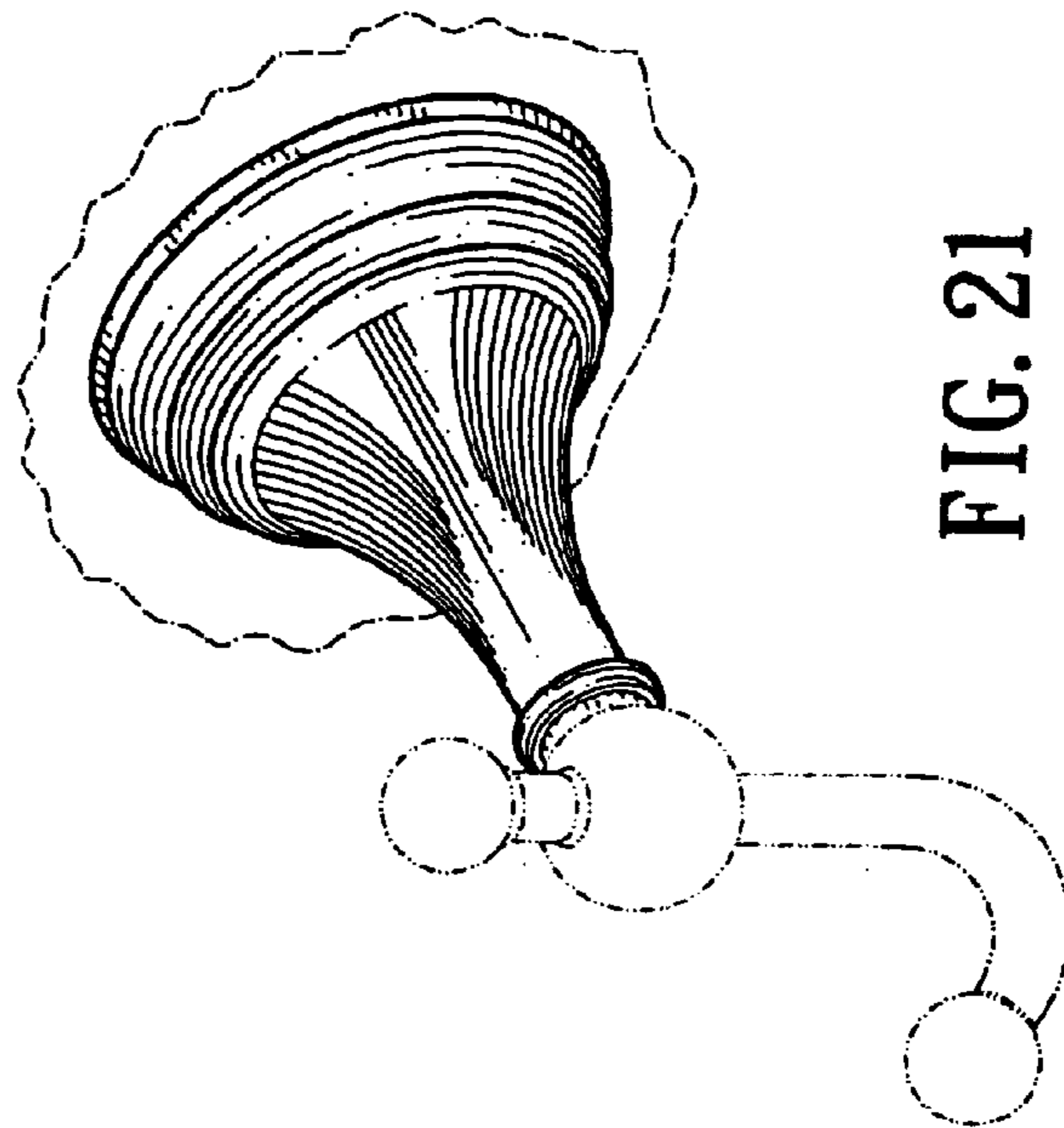


FIG. 21



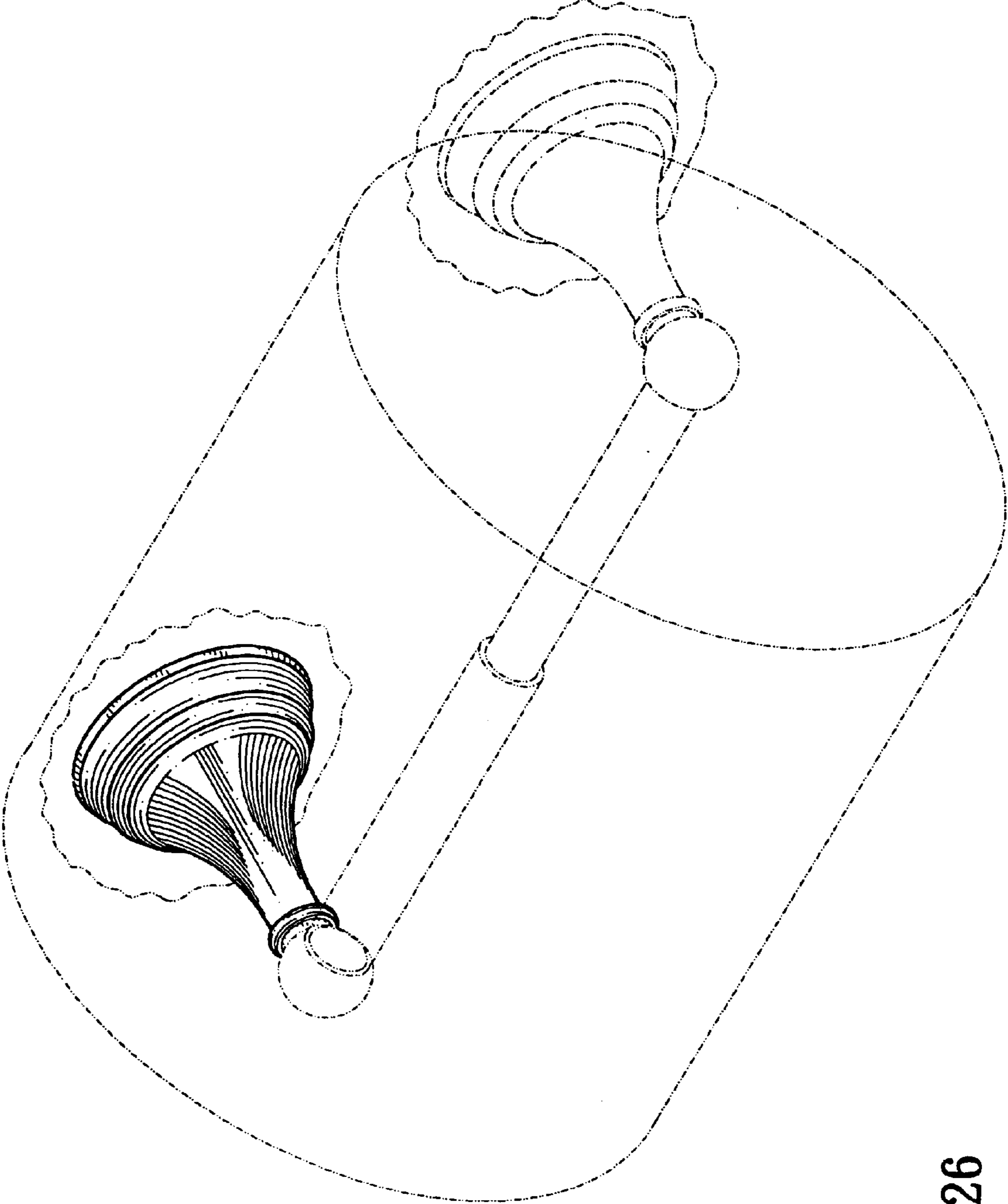


FIG. 26

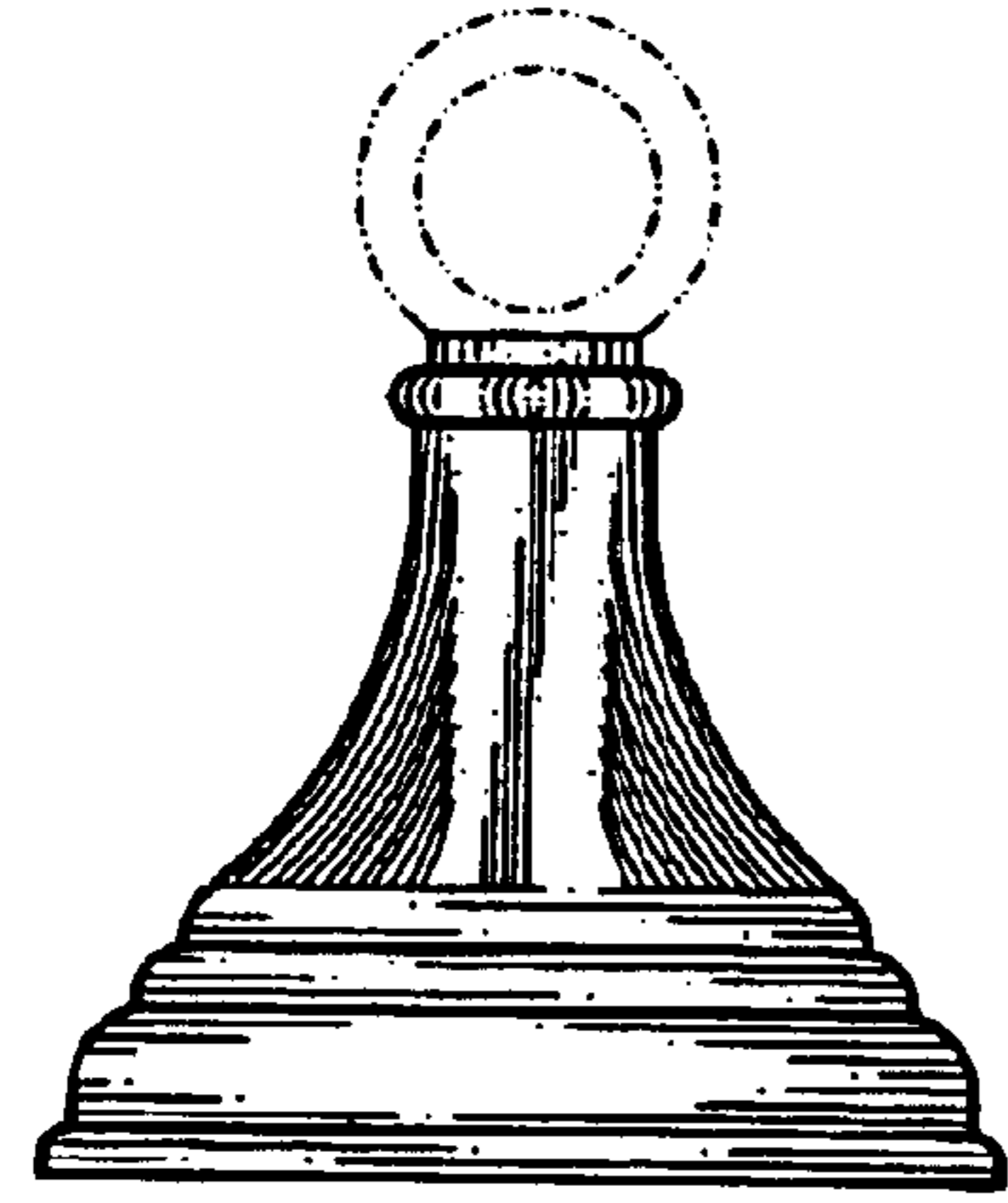


FIG. 28

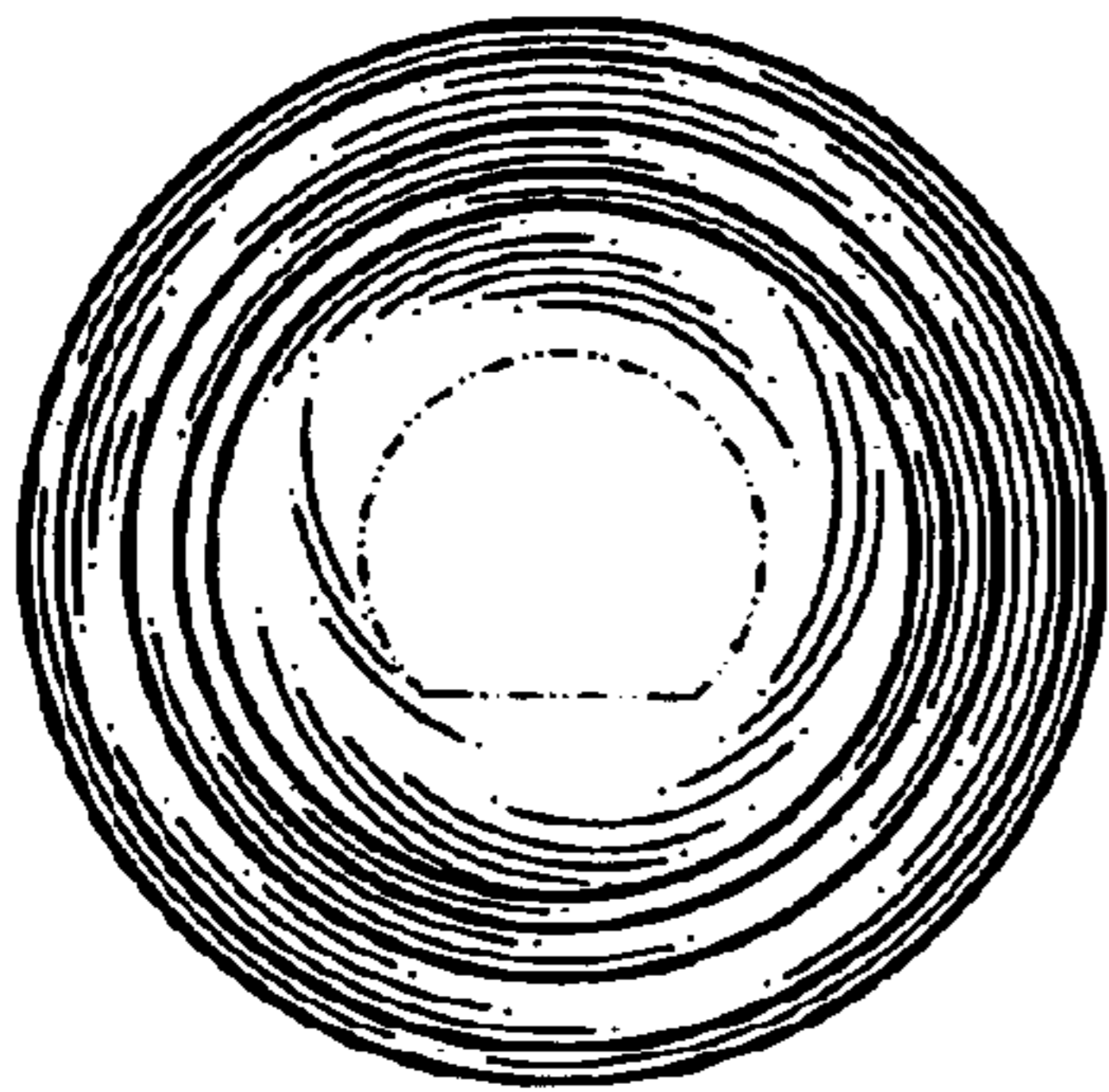


FIG. 27

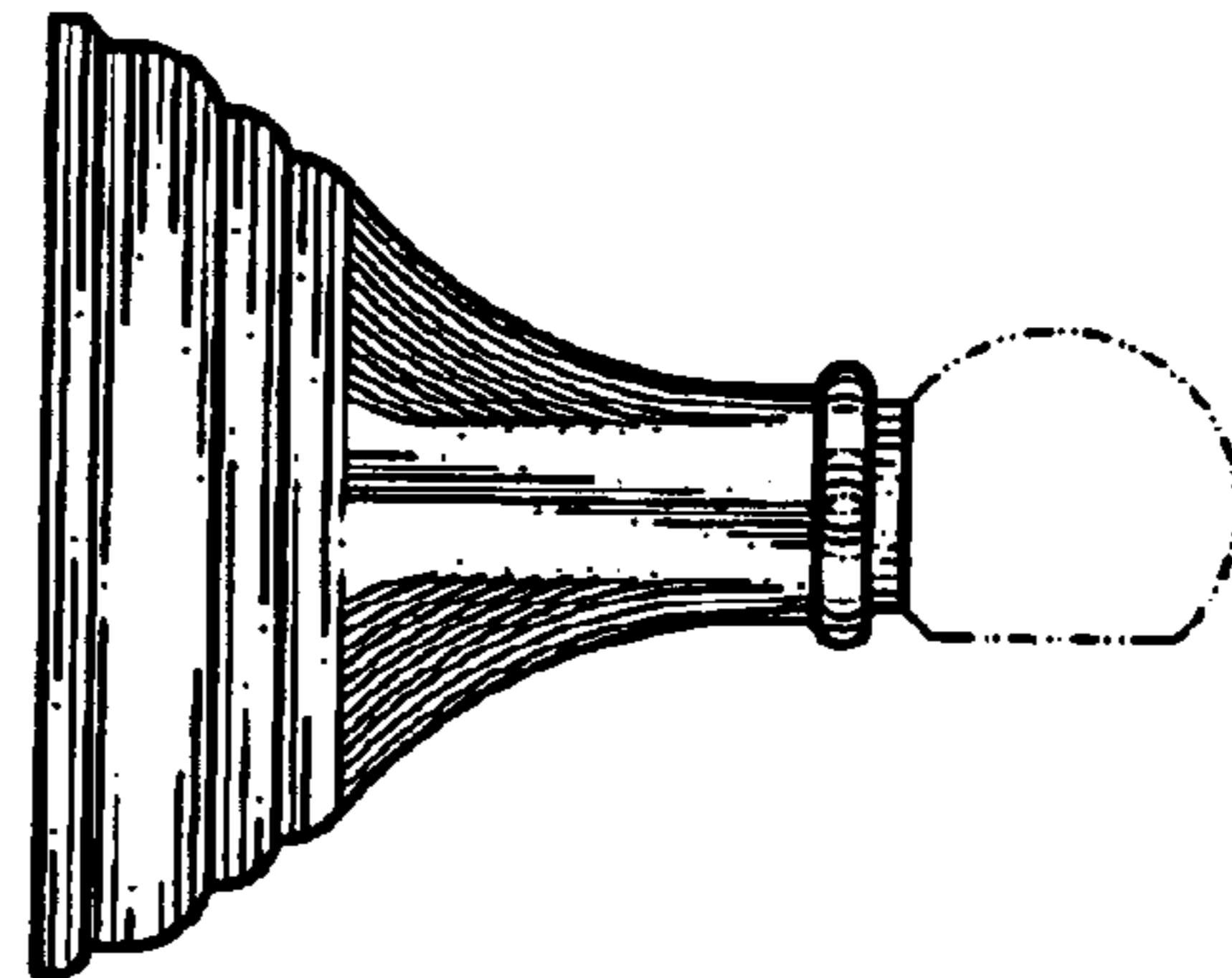


FIG. 30

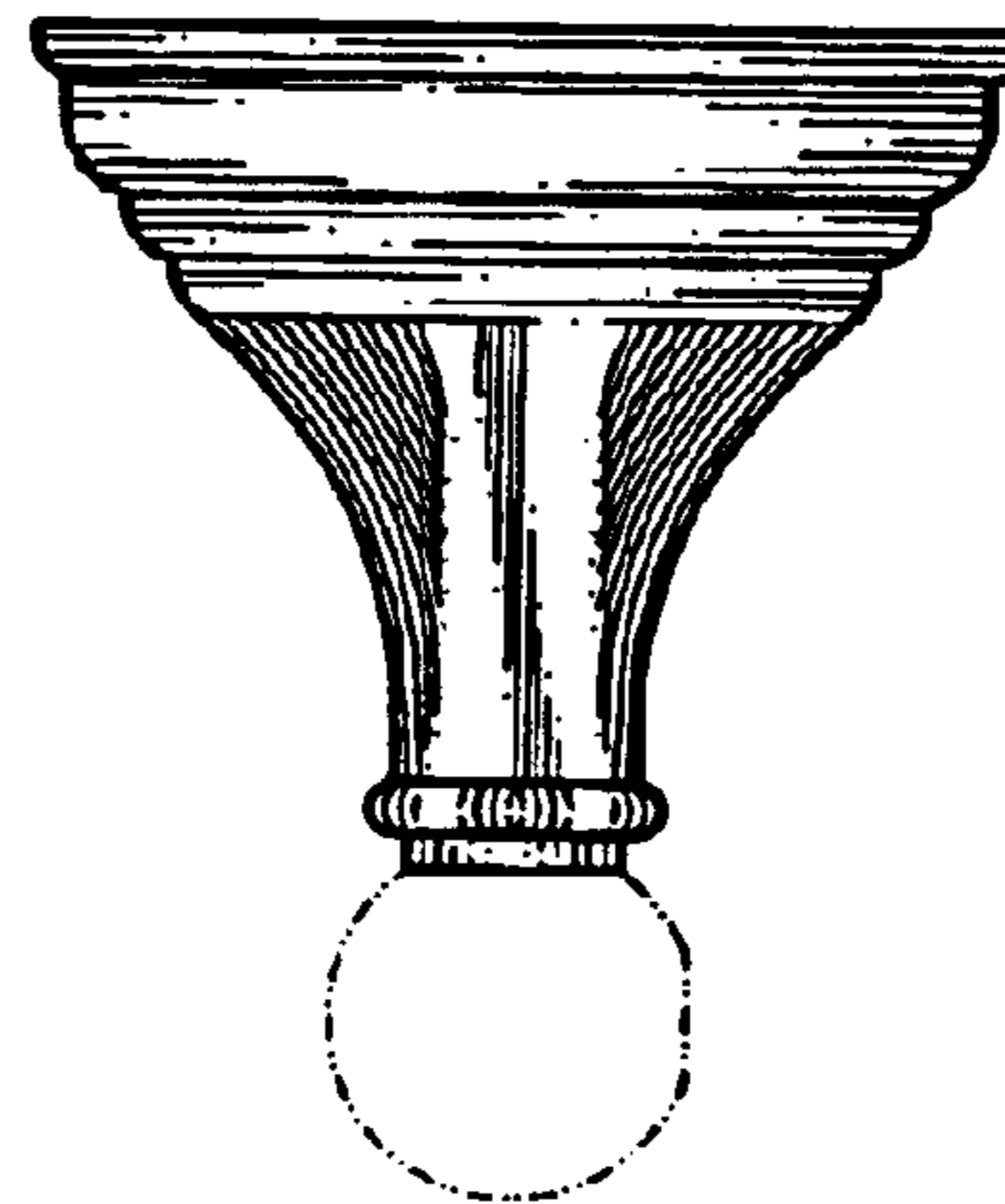


FIG. 29