



US00D498622S

(12) **United States Design Patent**
Neunzert

(10) **Patent No.:** **US D498,622 S**

(45) **Date of Patent:** **** Nov. 23, 2004**

(54) **TABLE TOP**

(75) **Inventor:** **Martin R. Neunzert**, Ogden, UT (US)

(73) **Assignee:** **Lifetime Products, Inc.**, Clearfield, UT (US)

(**) **Term:** **14 Years**

(21) **Appl. No.:** **29/179,788**

(22) **Filed:** **Apr. 15, 2003**

(51) **LOC (7) Cl.** **06-06**

(52) **U.S. Cl.** **D6/511**

(58) **Field of Search** D6/480-489, 429-430, D6/509-511; 108/153.1, 155, 156, 161, 36, 126, 169, 65, 69, 70, 77

(56) **References Cited**

U.S. PATENT DOCUMENTS

D353,286 S	*	12/1994	Hand	D6/480
D412,415 S	*	8/1999	Adler et al.	D6/480
D468,135 S	*	1/2003	Ashby et al.	D6/491
D469,996 S	*	2/2003	Ashby	D6/511
D470,352 S	*	2/2003	Strong	D6/511
D479,778 S	*	9/2003	Haney et al.	D6/511
D485,100 S	*	1/2004	Ashby et al.	D6/511

D489,925 S * 5/2004 Astle D6/511

* cited by examiner

Primary Examiner—Janice E. Seeger

(74) *Attorney, Agent, or Firm*—Workman Nydegger

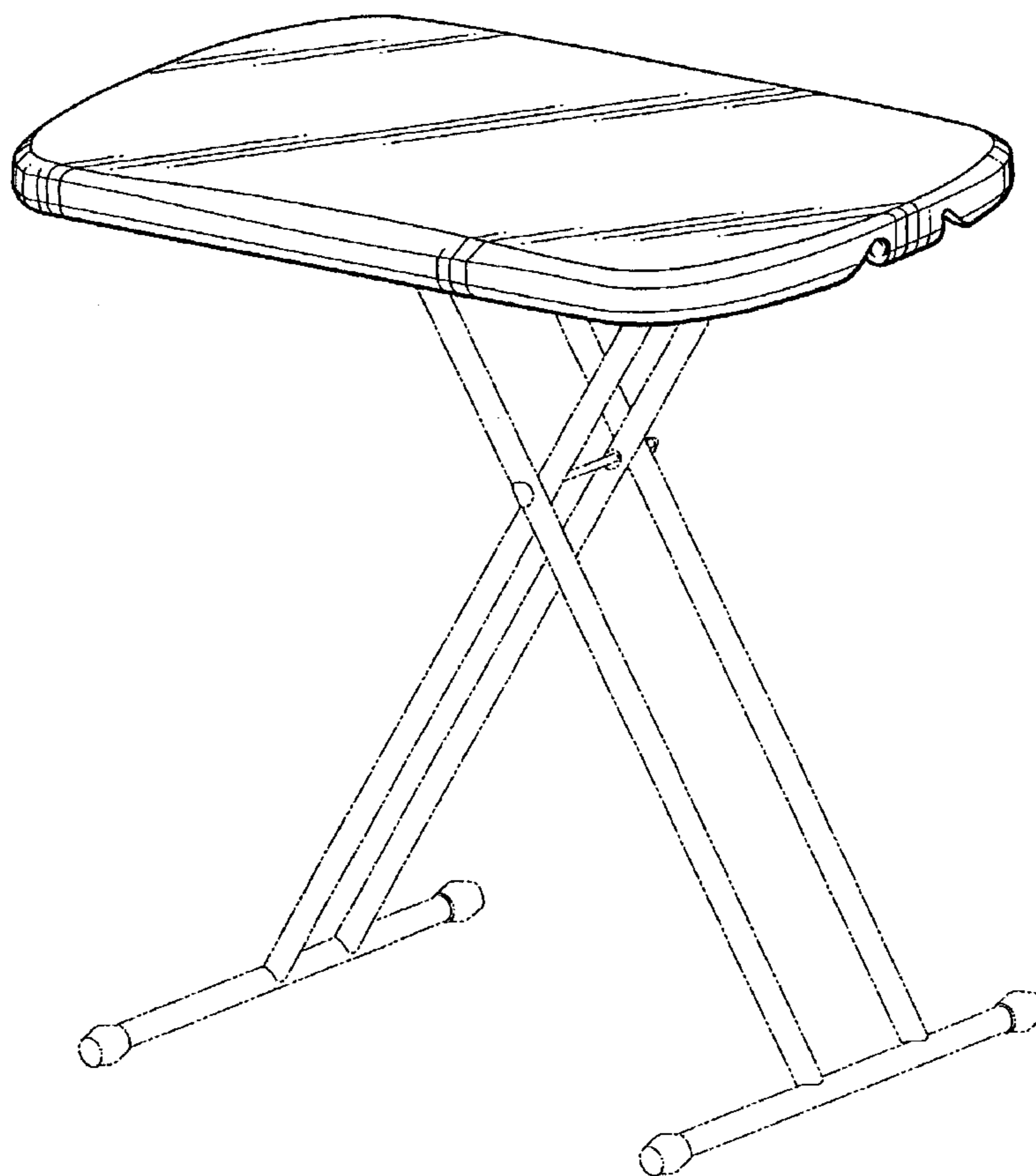
(57) **CLAIM**

The ornamental design for a table top, as shown and described.

DESCRIPTION

FIG. 1 is a front perspective view of a table top;
 FIG. 2 is a rear perspective view of the table top shown in FIG. 1;
 FIG. 3 is a bottom perspective view of the table top shown in FIG. 1;
 FIG. 4 is a bottom view of the table top shown in FIG. 1;
 FIG. 5 is a top view of the table top shown in FIG. 1;
 FIG. 6 is a front view of the table top shown in FIG. 1, with the rear view being a mirror image thereof;
 FIG. 7 is a left side view of the table top shown in FIG. 1; and,
 FIG. 8 is a right side view of the table top shown in FIG. 1.
 The broken lines shown in the figures are for illustrative purposes only and form no part of the claimed design.

1 Claim, 4 Drawing Sheets



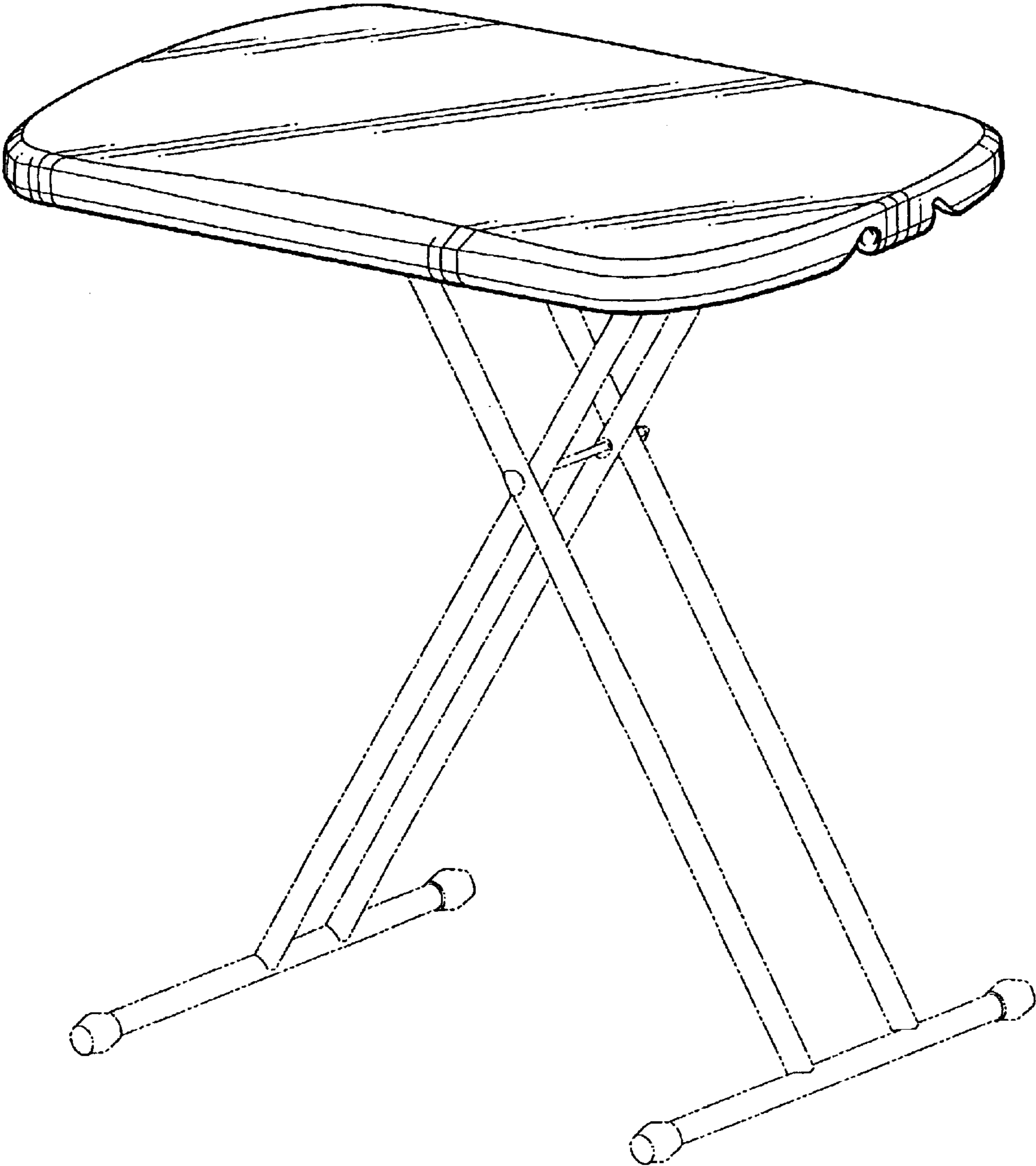


Fig. 1

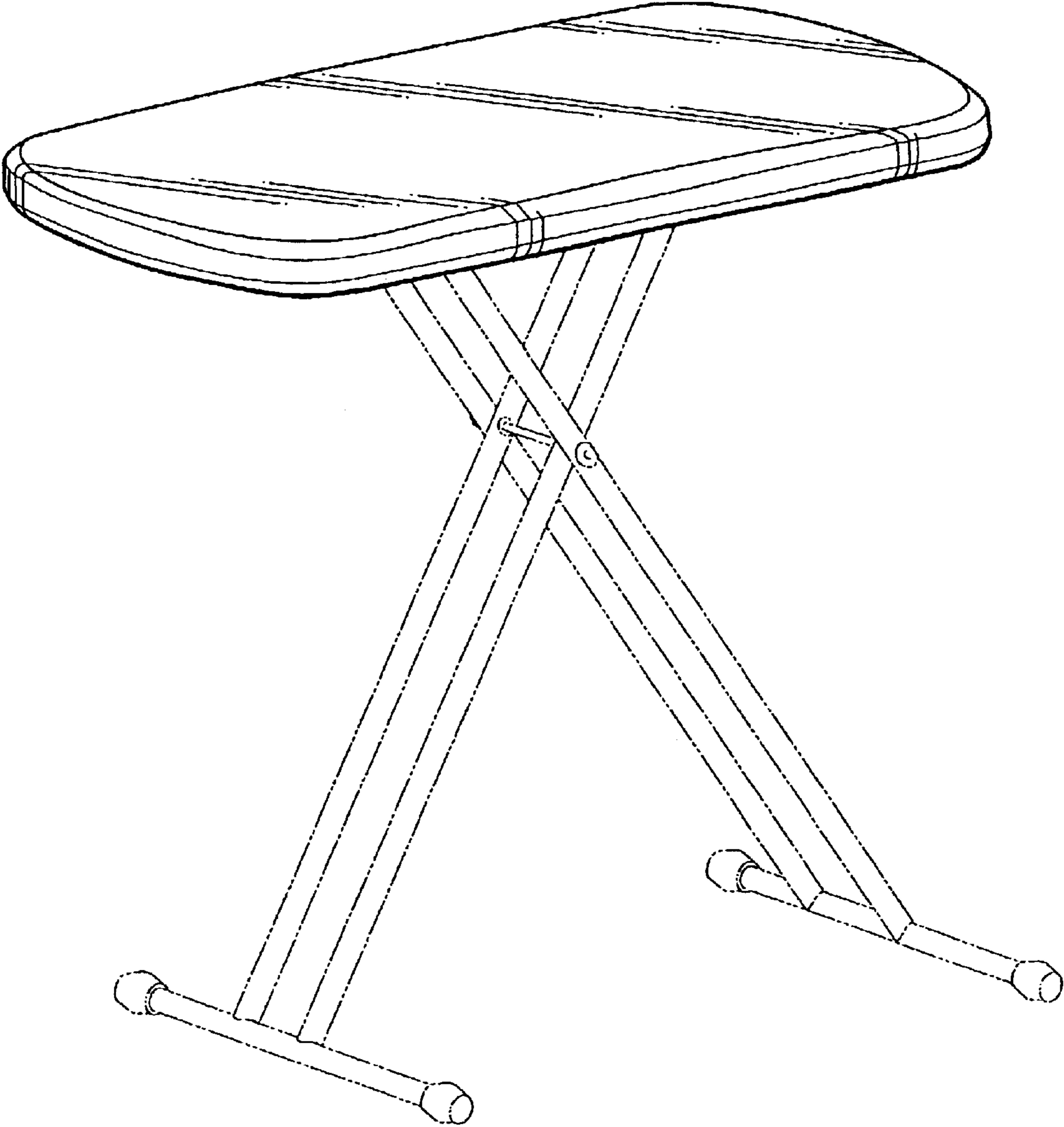


Fig. 2

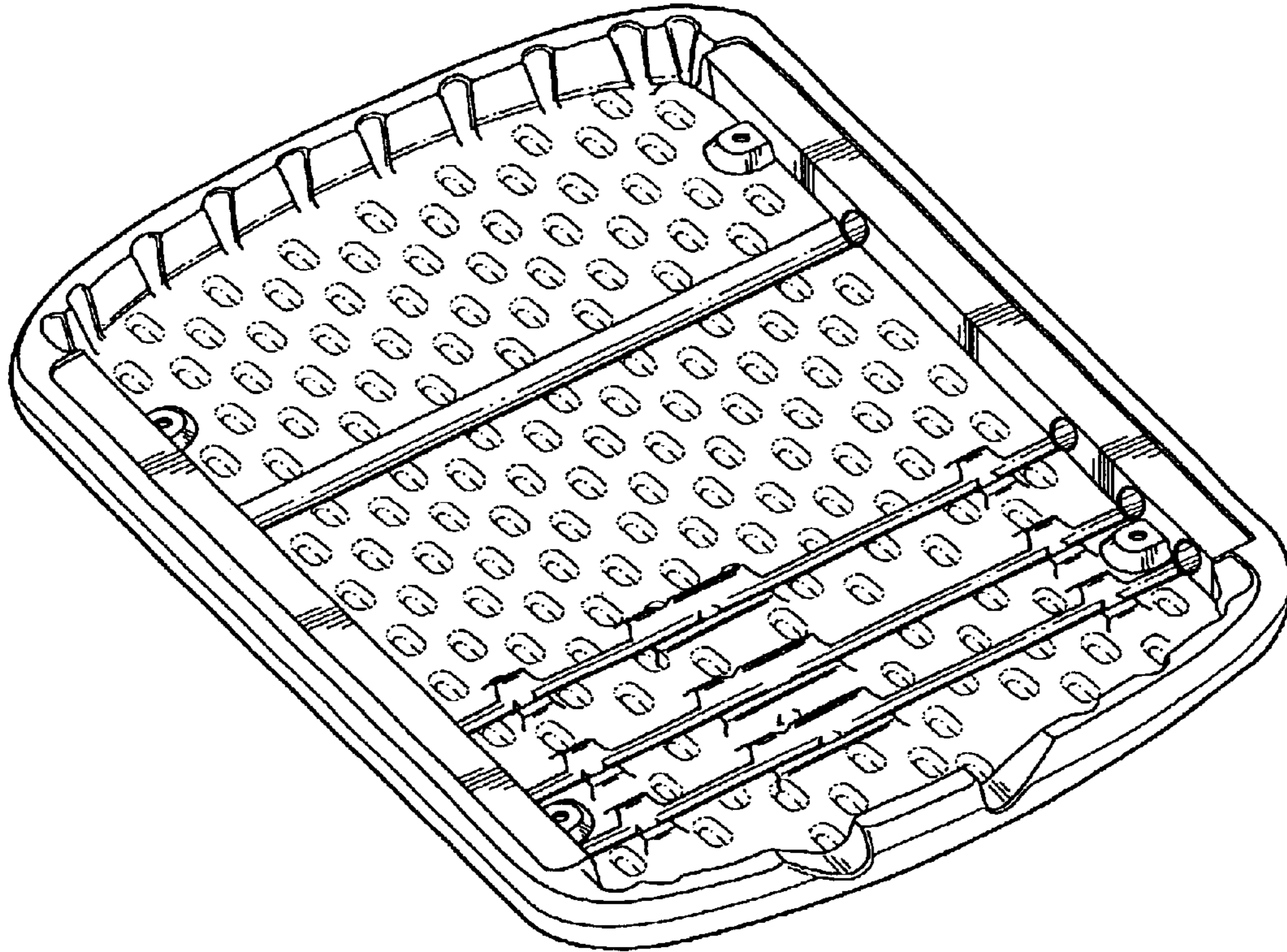


Fig. 3

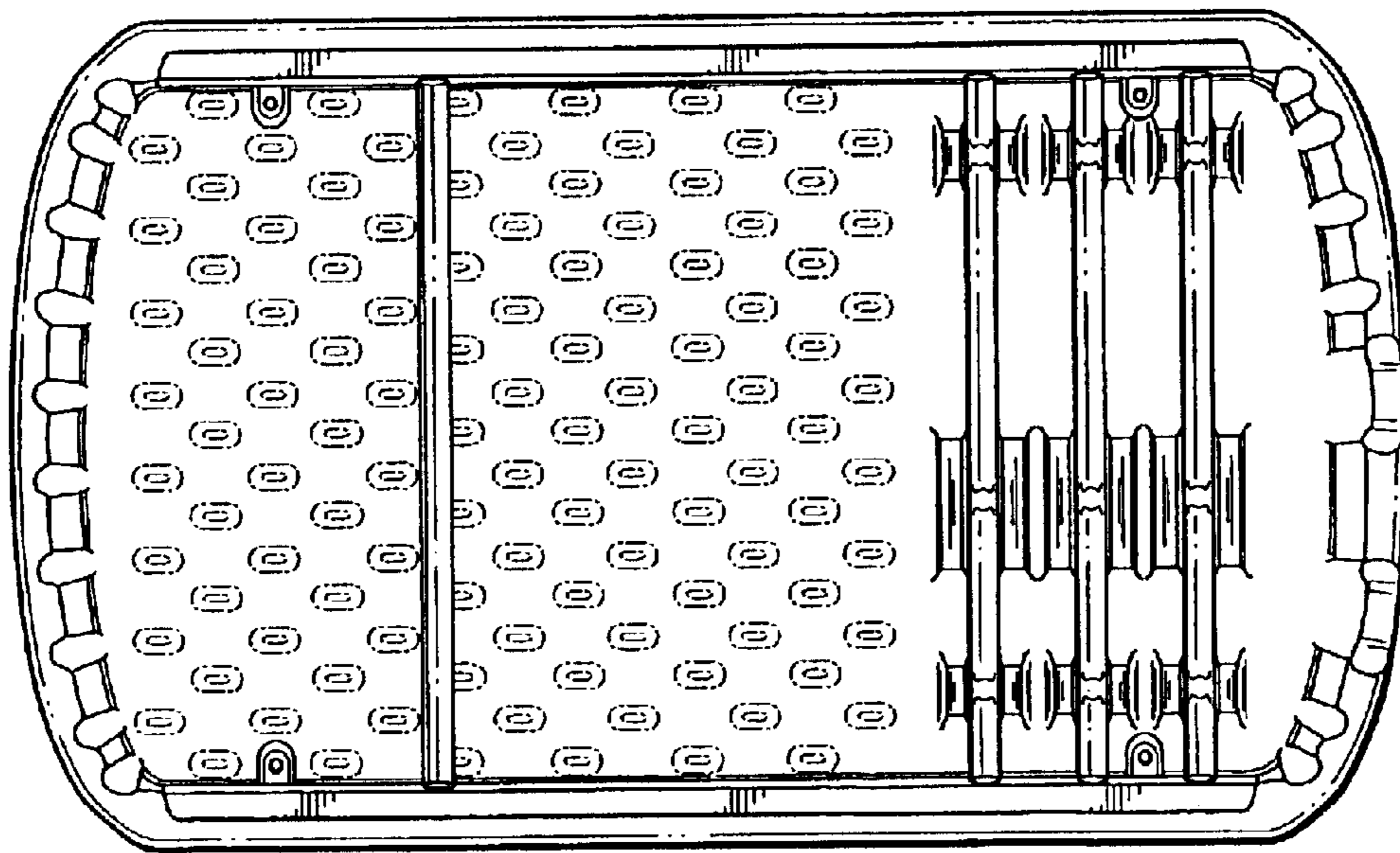


Fig. 4

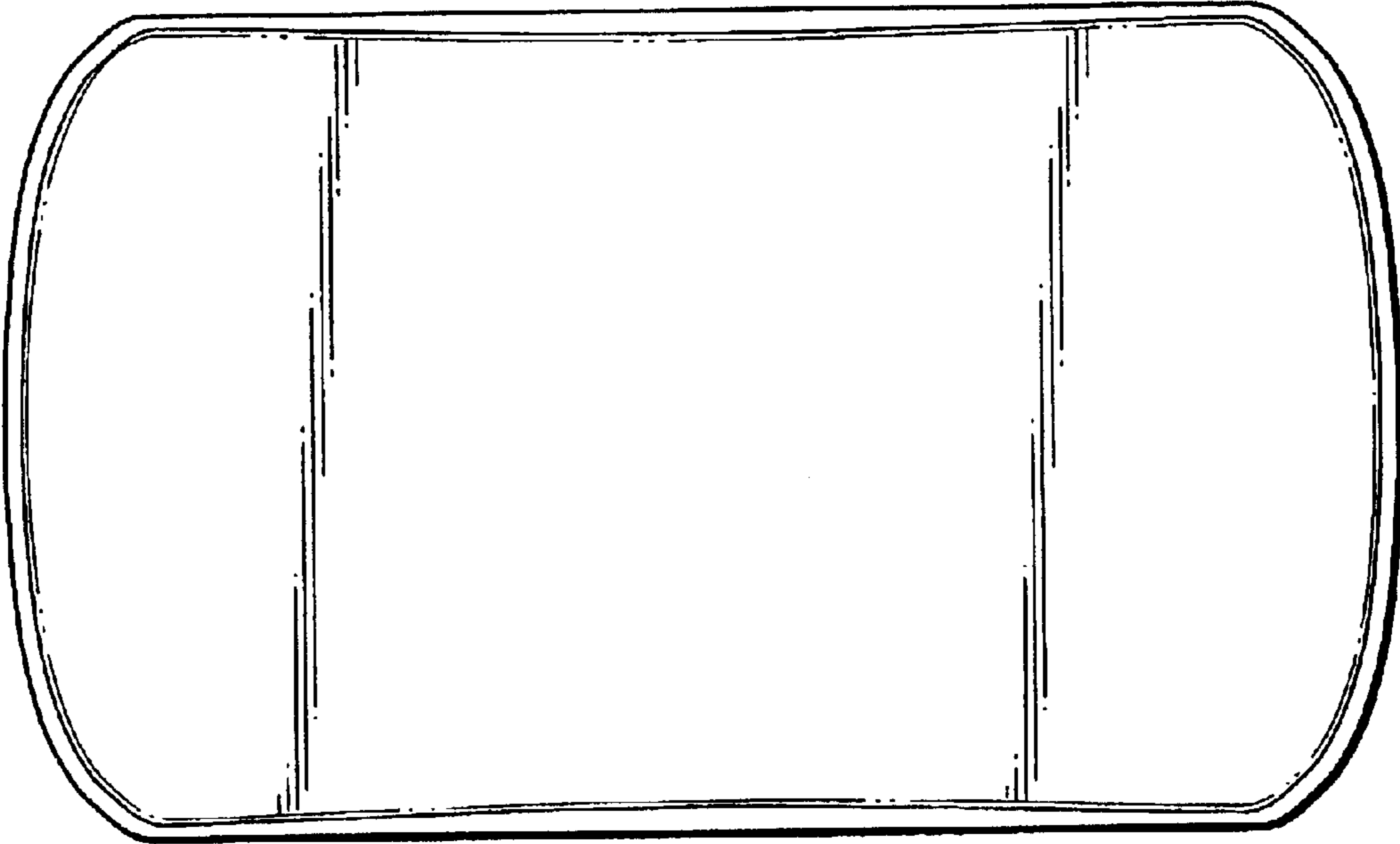


Fig. 5

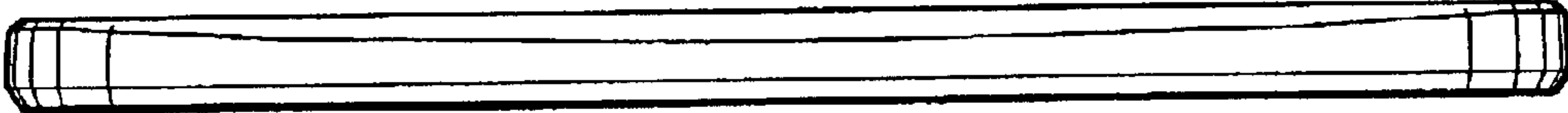


Fig. 6

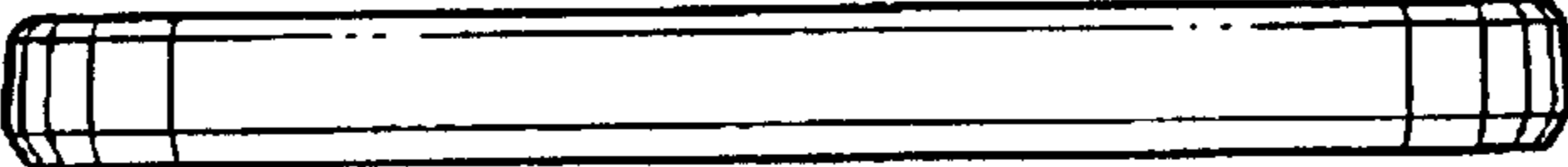


Fig. 7



Fig. 8