

US00D498619S

(12) **United States Design Patent**
Burgess

(10) **Patent No.:** **US D498,619 S**

(45) **Date of Patent:** **** Nov. 23, 2004**

(54) **FURNITURE ELEMENT**

(75) **Inventor:** **Donald J. Burgess**, Advance, NC (US)

(73) **Assignee:** **Klaussner Corporate Services, Inc.**,
Asheboro, NC (US)

(**) **Term:** **14 Years**

(21) **Appl. No.:** **29/203,412**

(22) **Filed:** **Apr. 14, 2004**

Related U.S. Application Data

(62) Division of application No. 29/190,021, filed on Sep. 12, 2003.

(51) **LOC (7) Cl.** **06-06**

(52) **U.S. Cl.** **D6/491; D6/300**

(58) **Field of Search** D6/300-303, 308-314,
D6/444, 491; 40/700, 711, 714-716, 721,
722, 735, 737, 745, 750, 765, 790, 798;
359/838, 871, 882, 872

(56) **References Cited**

U.S. PATENT DOCUMENTS

D107,319 S	*	12/1937	Nonnenbacher	D6/306
D177,061 S	*	3/1956	Mershon	D6/306
D380,917 S	*	7/1997	Keller et al.	D6/491
D460,626 S	*	7/2002	Risdon	D6/300

* cited by examiner

Primary Examiner—Janice E. Seeger

(74) *Attorney, Agent, or Firm*—Kilpatrick Stockton LLP

(57) **CLAIM**

The ornamental design for furniture element, as shown and described.

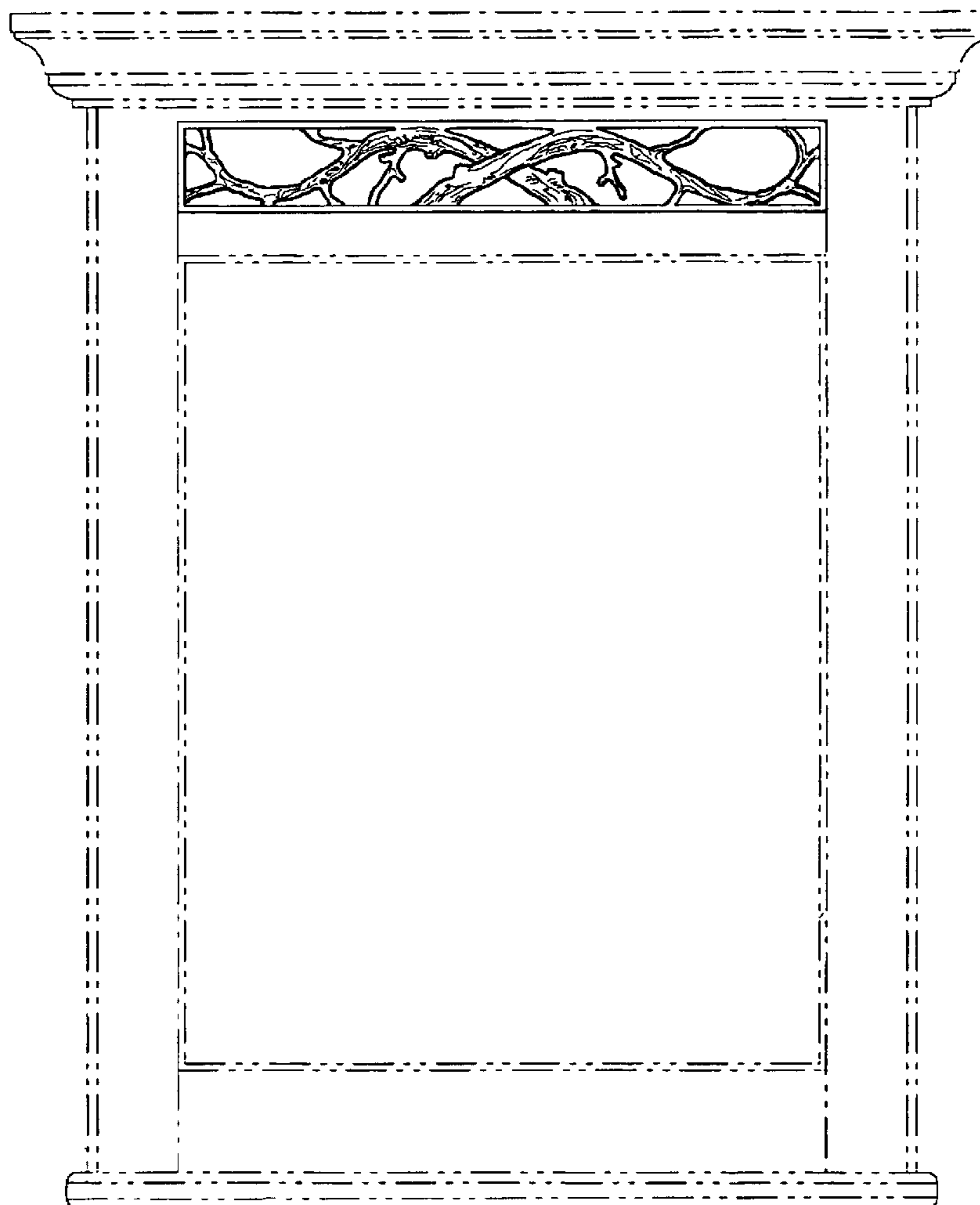
DESCRIPTION

FIG. 1 is a front elevational view of a furniture element, showing my new design; and,

FIG. 2 is a perspective view thereof.

The broken lines are for environmental purposes only and form no part of the claimed design.

1 Claim, 2 Drawing Sheets



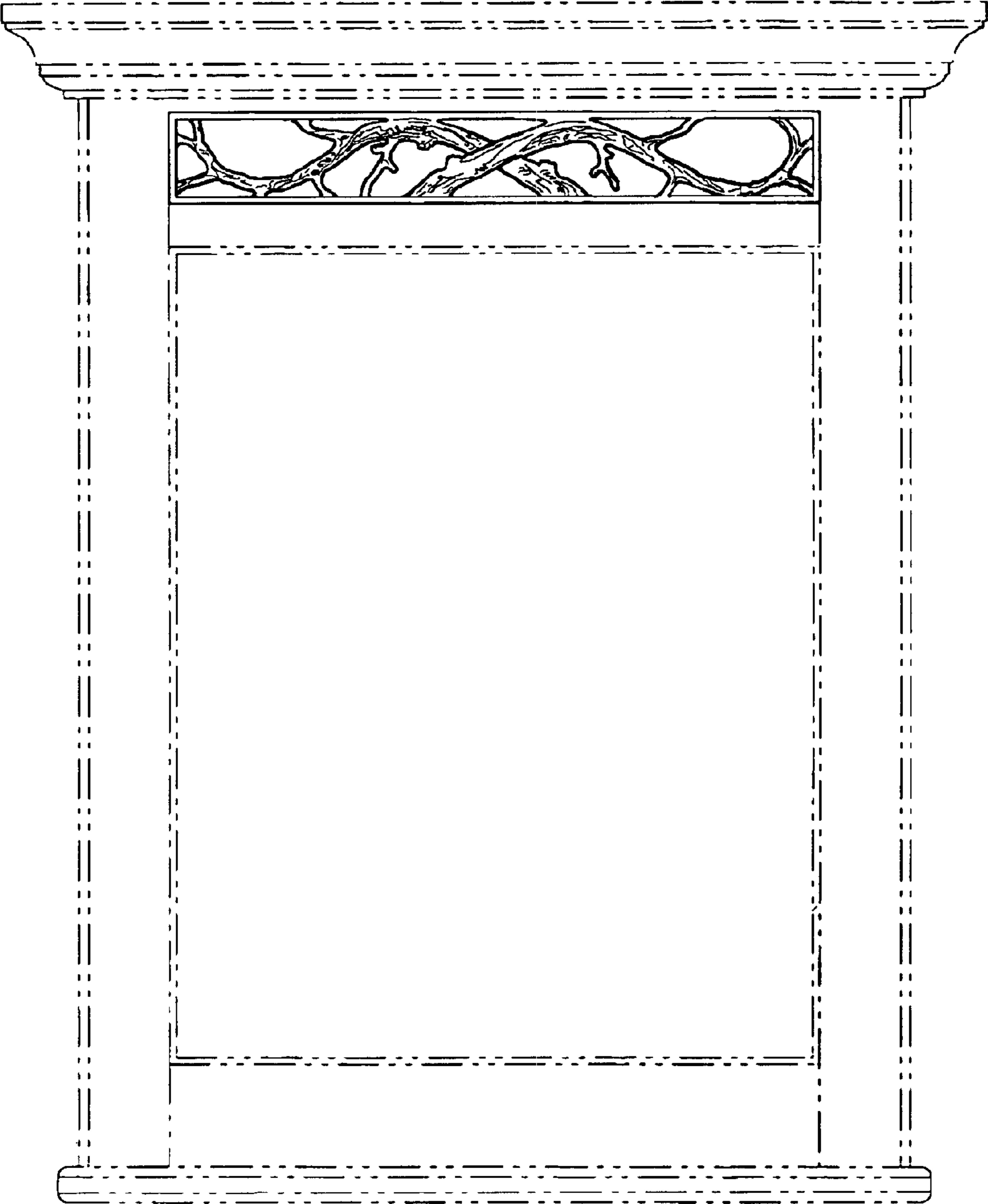


Fig. 1

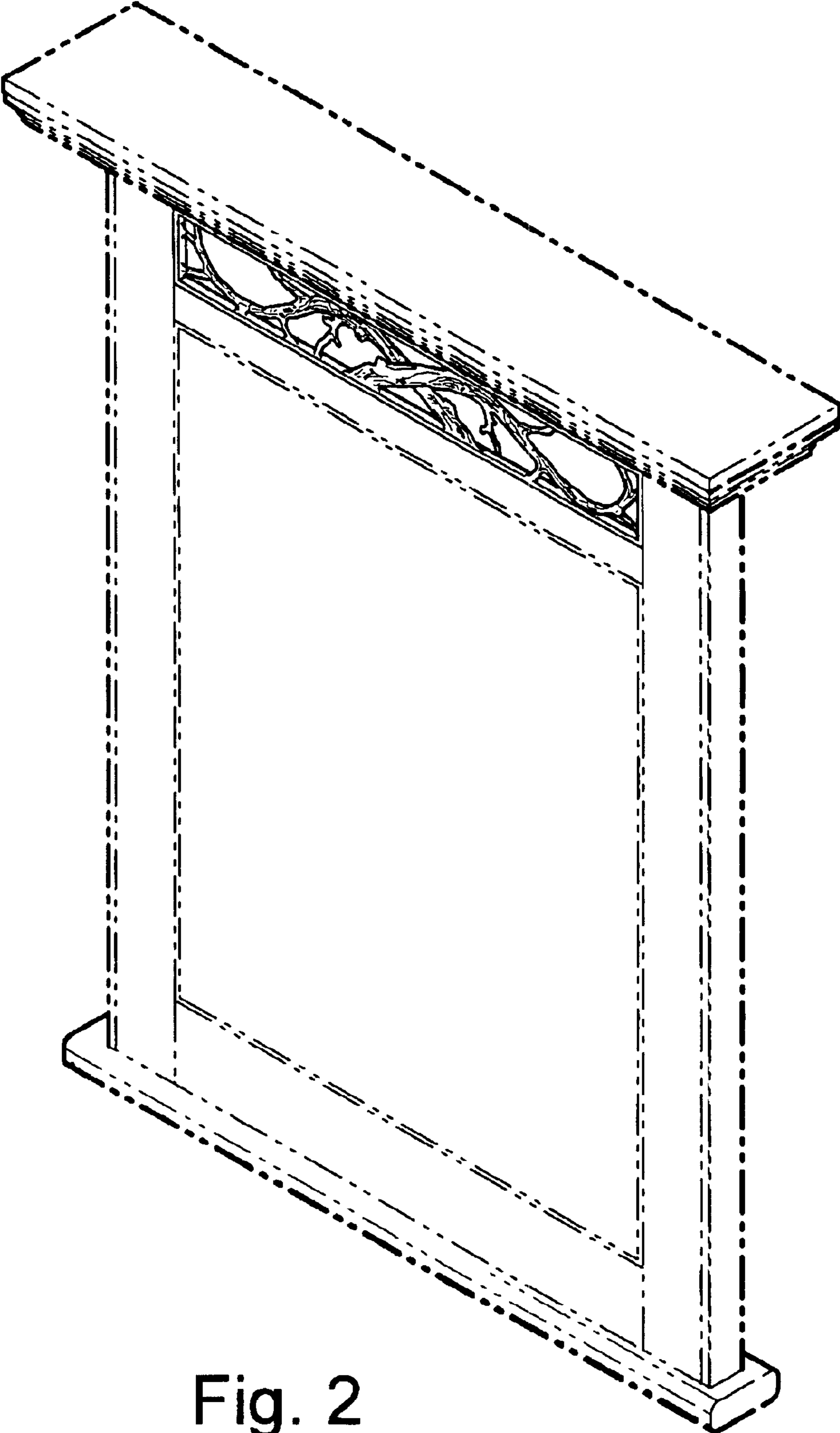


Fig. 2