

US00D498617S

(12) **United States Design Patent**  
**Murphy et al.**

(10) **Patent No.: US D498,617 S**

(45) **Date of Patent: \*\* Nov. 23, 2004**

(54) **STAND**

(75) Inventors: **Peter J. Murphy**, Howick (NZ); **Peter B. Moyle**, Howick (NZ)

(73) Assignee: **Criterion Manufacturing Limited**, Auckland (NZ)

(\*\*) Term: **14 Years**

(21) Appl. No.: **29/185,253**

(22) Filed: **Jun. 24, 2003**

(30) **Foreign Application Priority Data**

Dec. 23, 2002 (AU) ..... 4054/2002

(51) **LOC (7) Cl.** ..... **06-04**

(52) **U.S. Cl.** ..... **D6/479; D6/470**

(58) **Field of Search** ..... D6/407, 441, 470, D6/474, 477-479; 108/59, 64, 91-93, 107, 149, 151, 144.11, 147.11, 147.13; 211/13.1, 42, 43, 49.1, 85.26, 134, 187-190, 153, 207

(56) **References Cited**

**U.S. PATENT DOCUMENTS**

D466,333 S \* 12/2002 Hwang ..... D6/441

\* cited by examiner

*Primary Examiner*—Cathron Brooks

(74) *Attorney, Agent, or Firm*—Intellectual Property Law Group LLP; Otto O. Lee; Juneko Jackson

(57) **CLAIM**

The ornamental design for a stand, as shown and described.

**DESCRIPTION**

FIG. 1 is a front elevational view of a stand embodying our design.

FIG. 2 is a top plan view thereof.

FIG. 3 is a rear elevational view thereof.

FIG. 4 is a left side elevational view thereof.

FIG. 5 is a right side elevational view thereof.

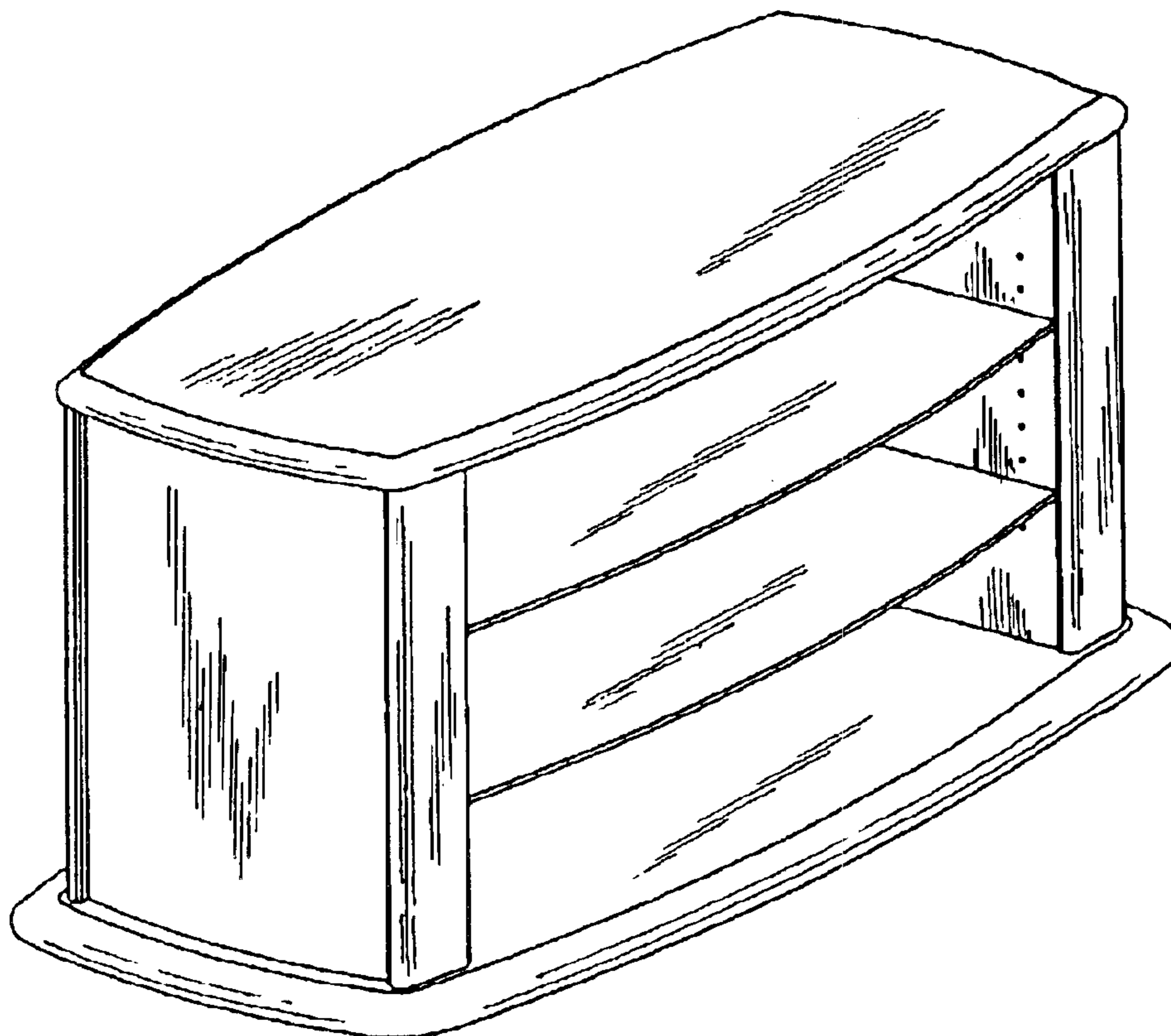
FIG. 6 is a front perspective view thereof.

FIG. 7 is a rear perspective view thereof.

FIG. 8 is a right rear perspective view of a second embodiment thereof; and,

FIG. 9 is a left rear perspective view of a second embodiment thereof.

**1 Claim, 3 Drawing Sheets**



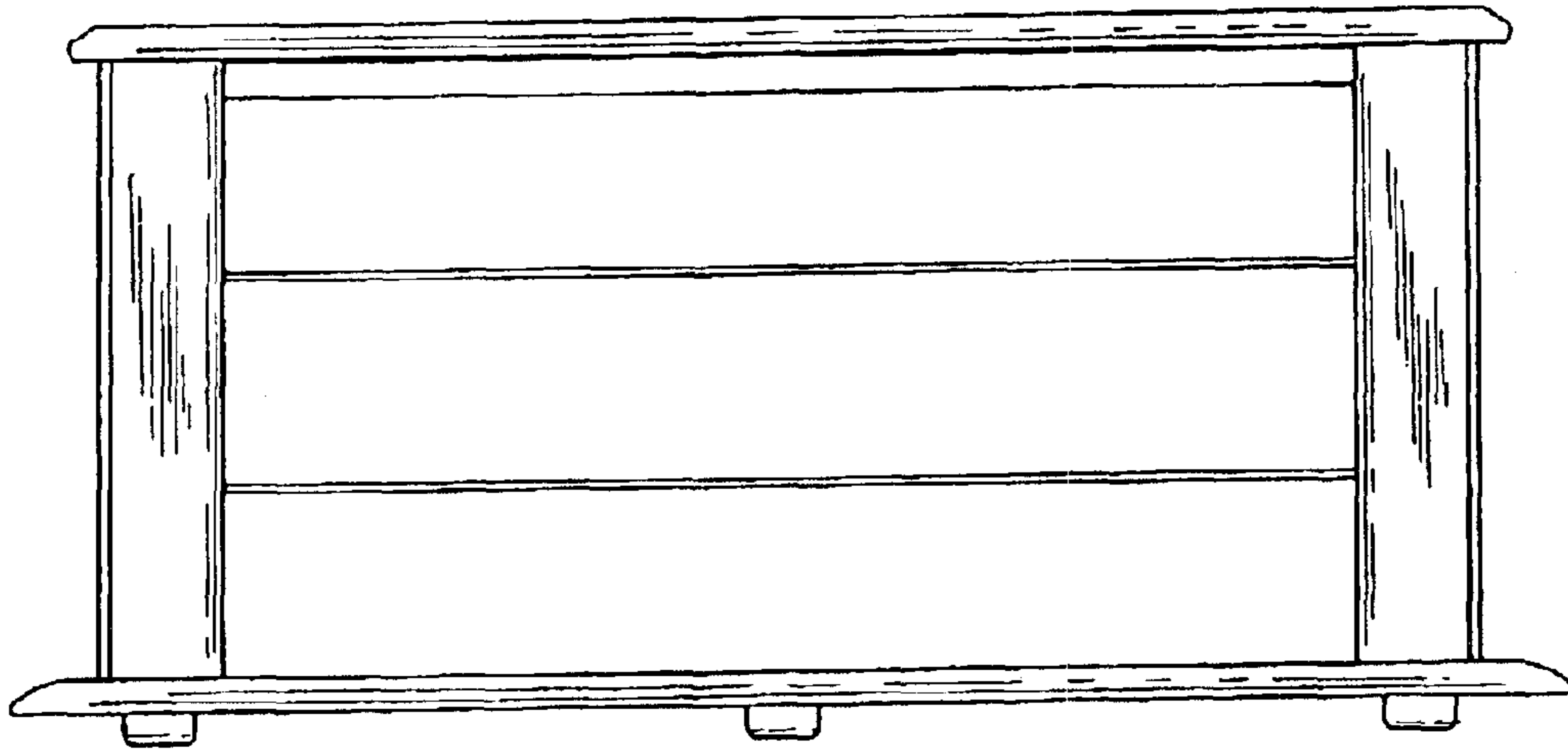


FIG 1

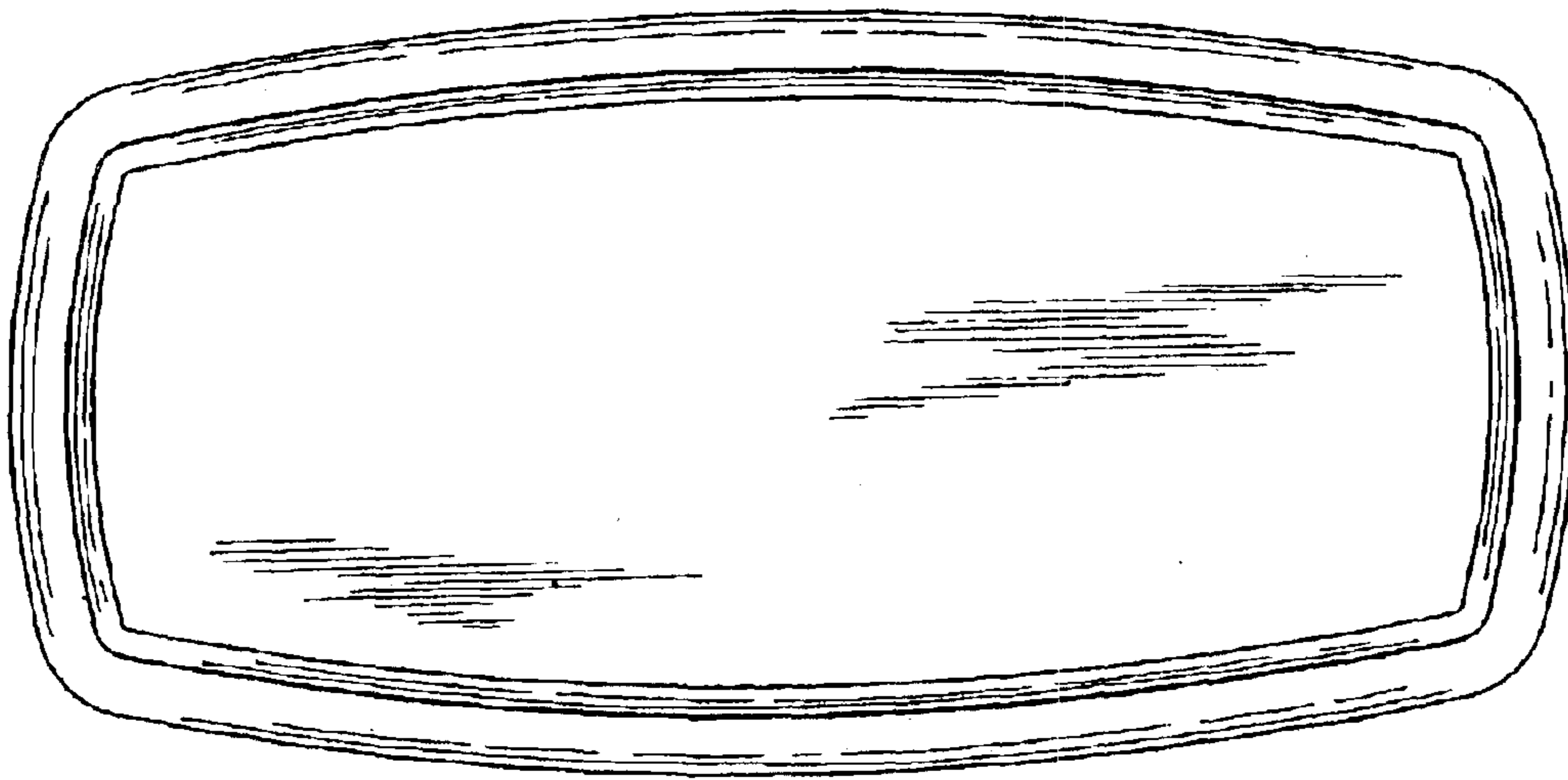


FIG 2

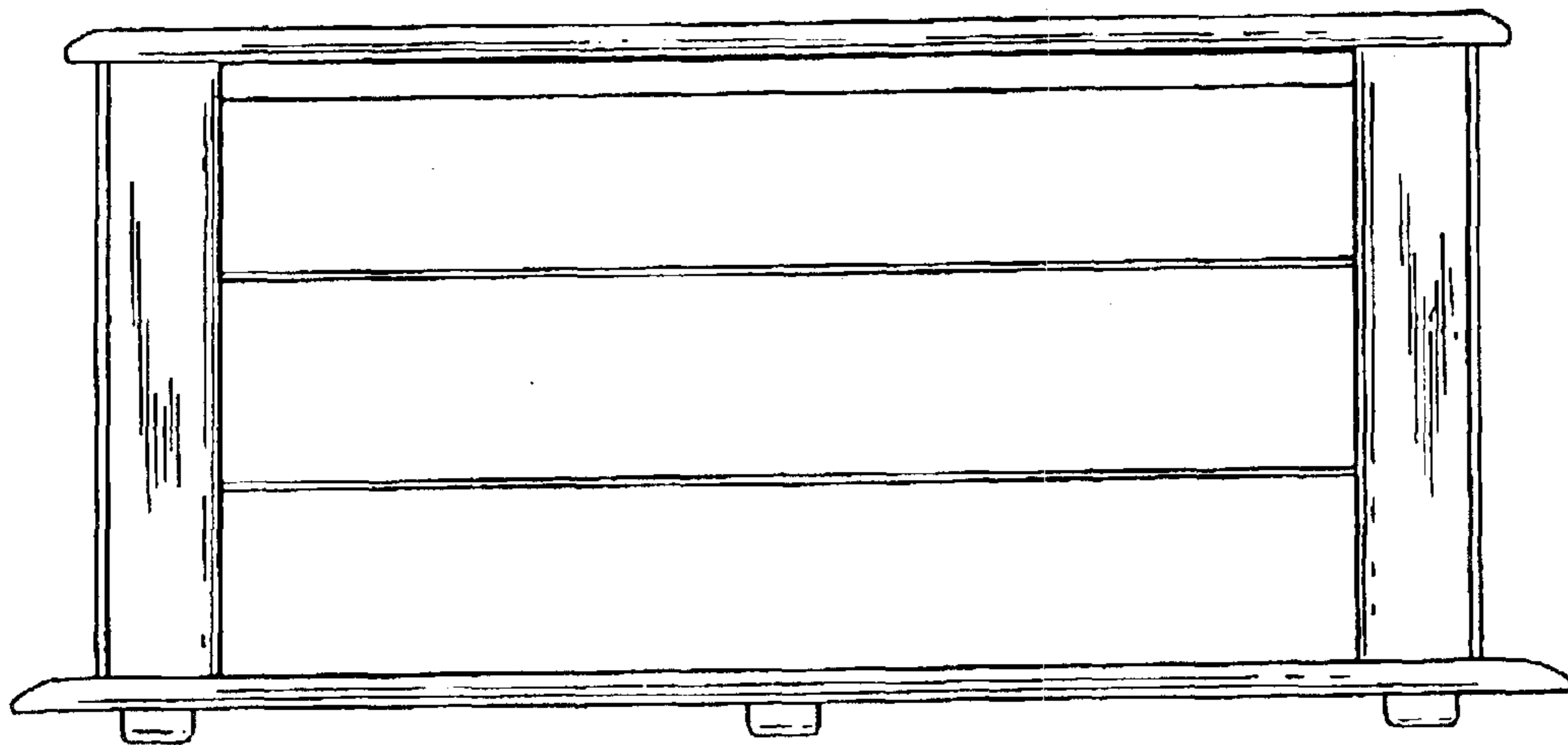


FIG 3

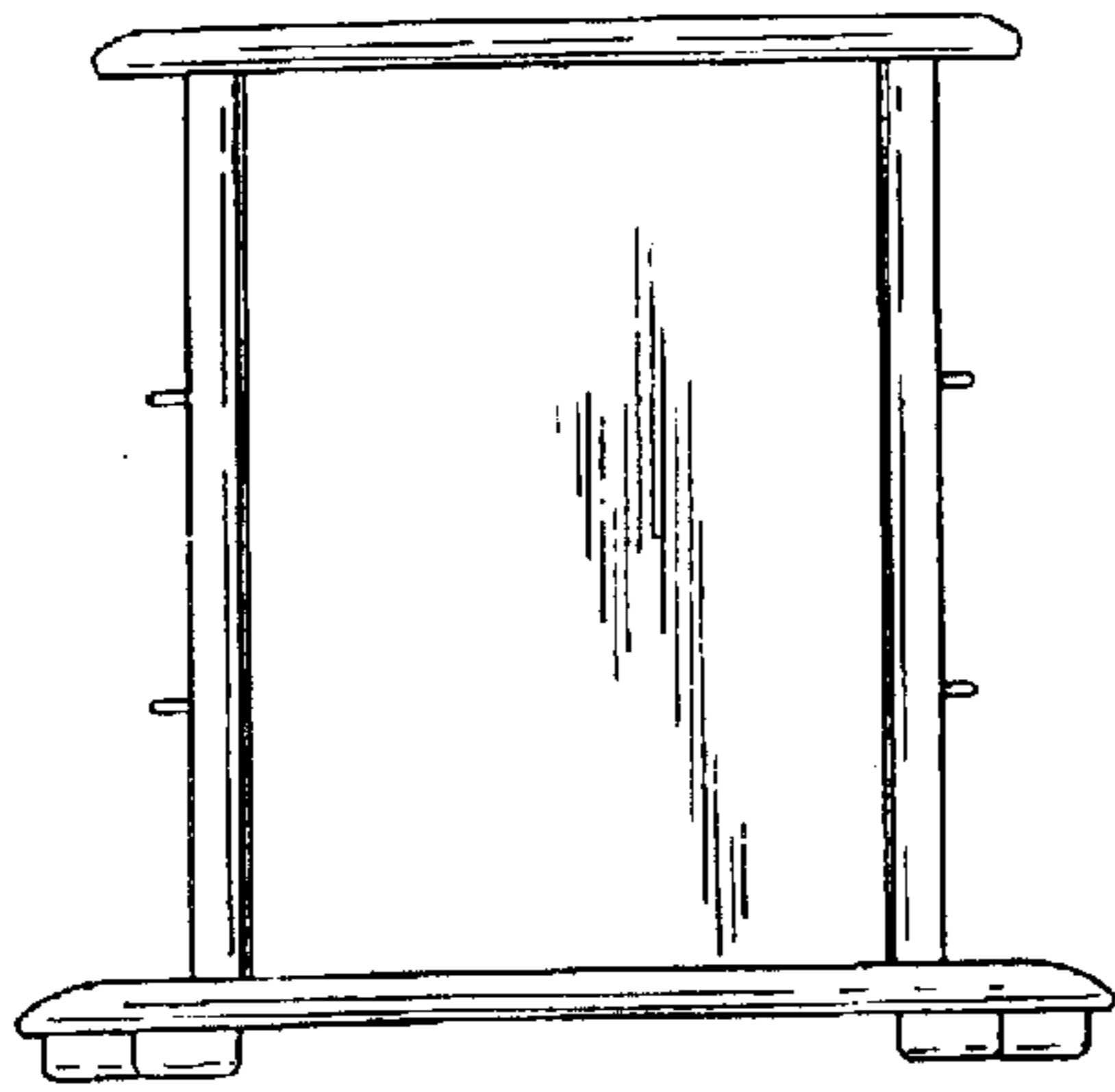


FIG 4

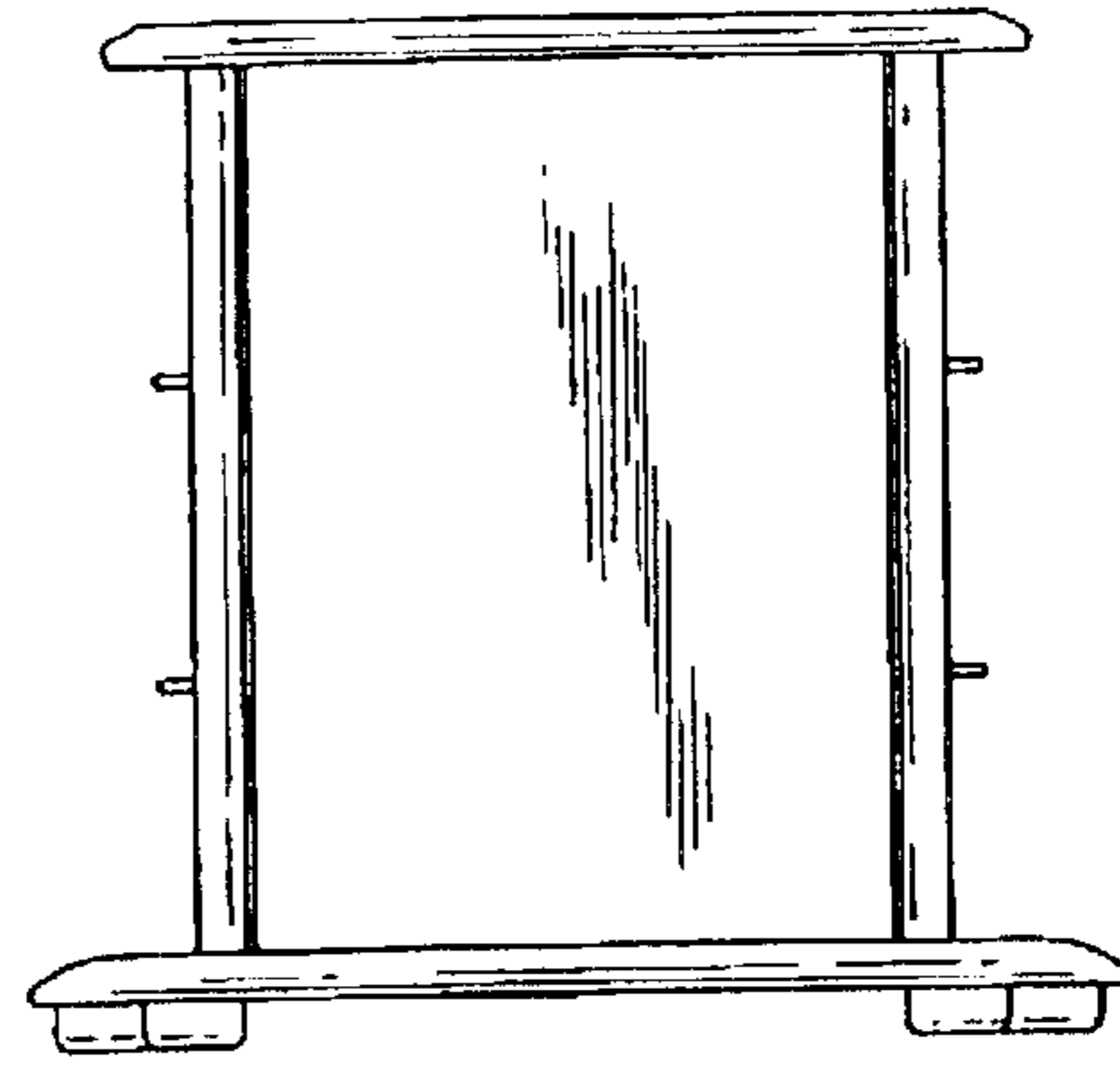


FIG 5

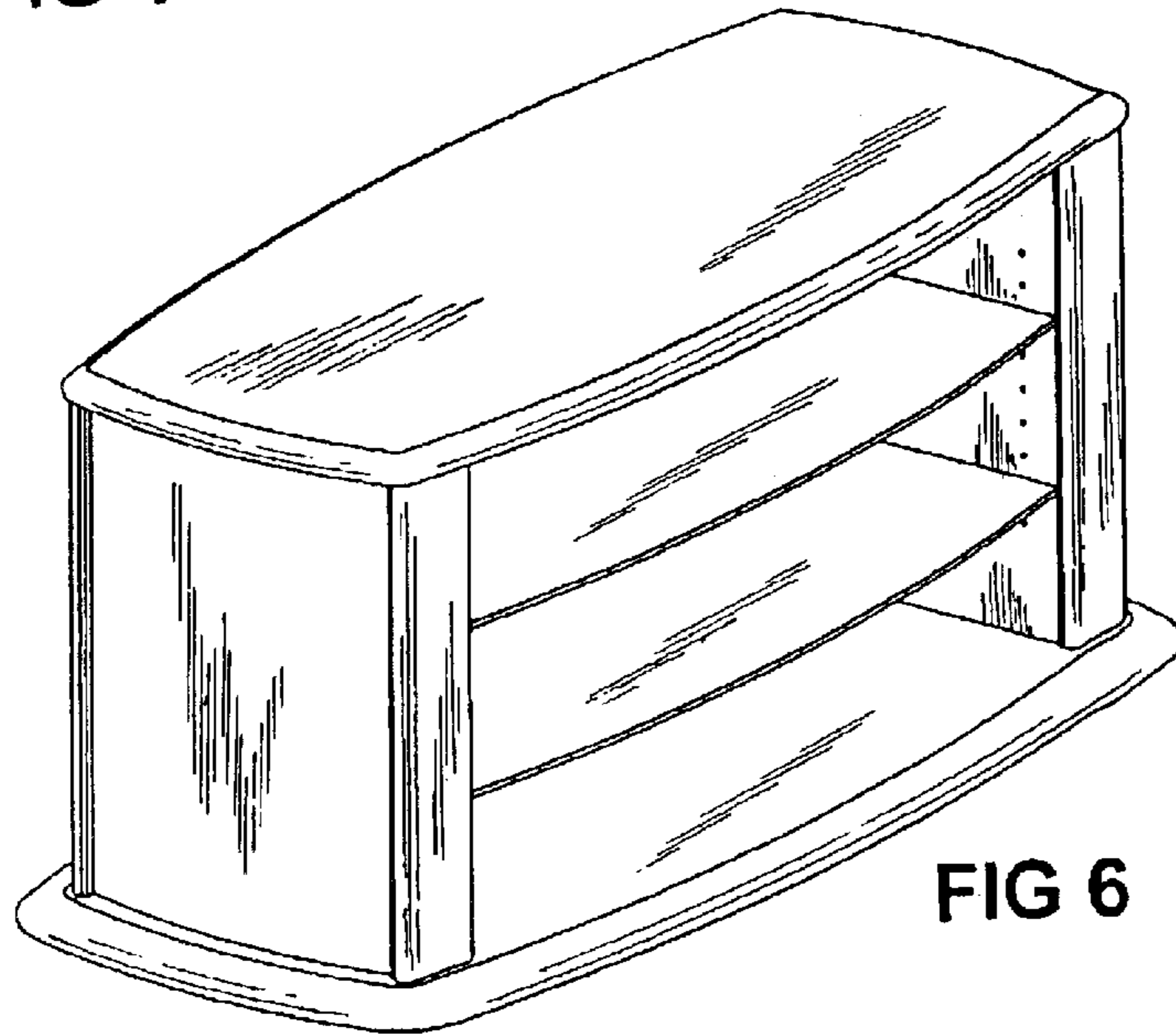


FIG 6

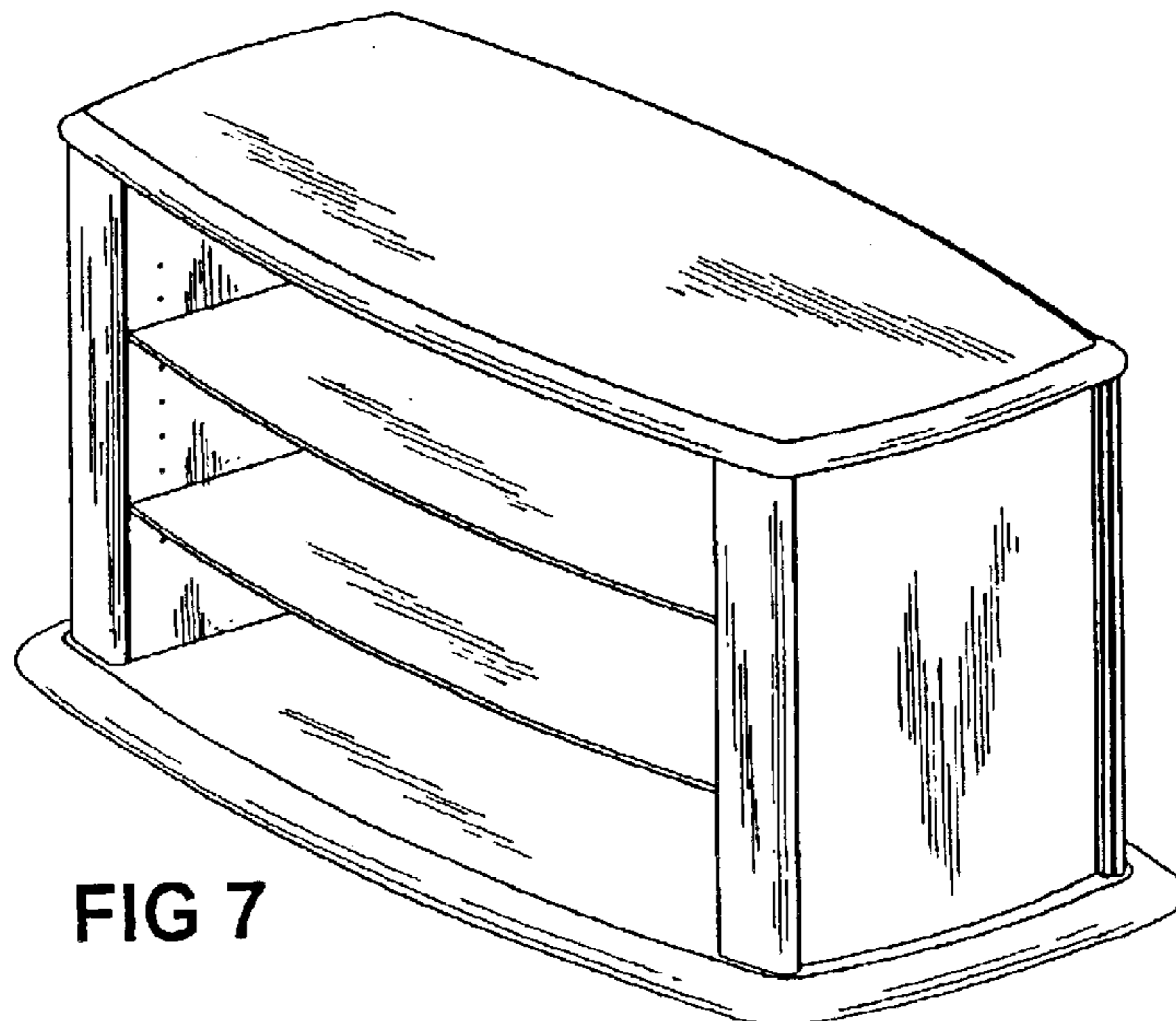
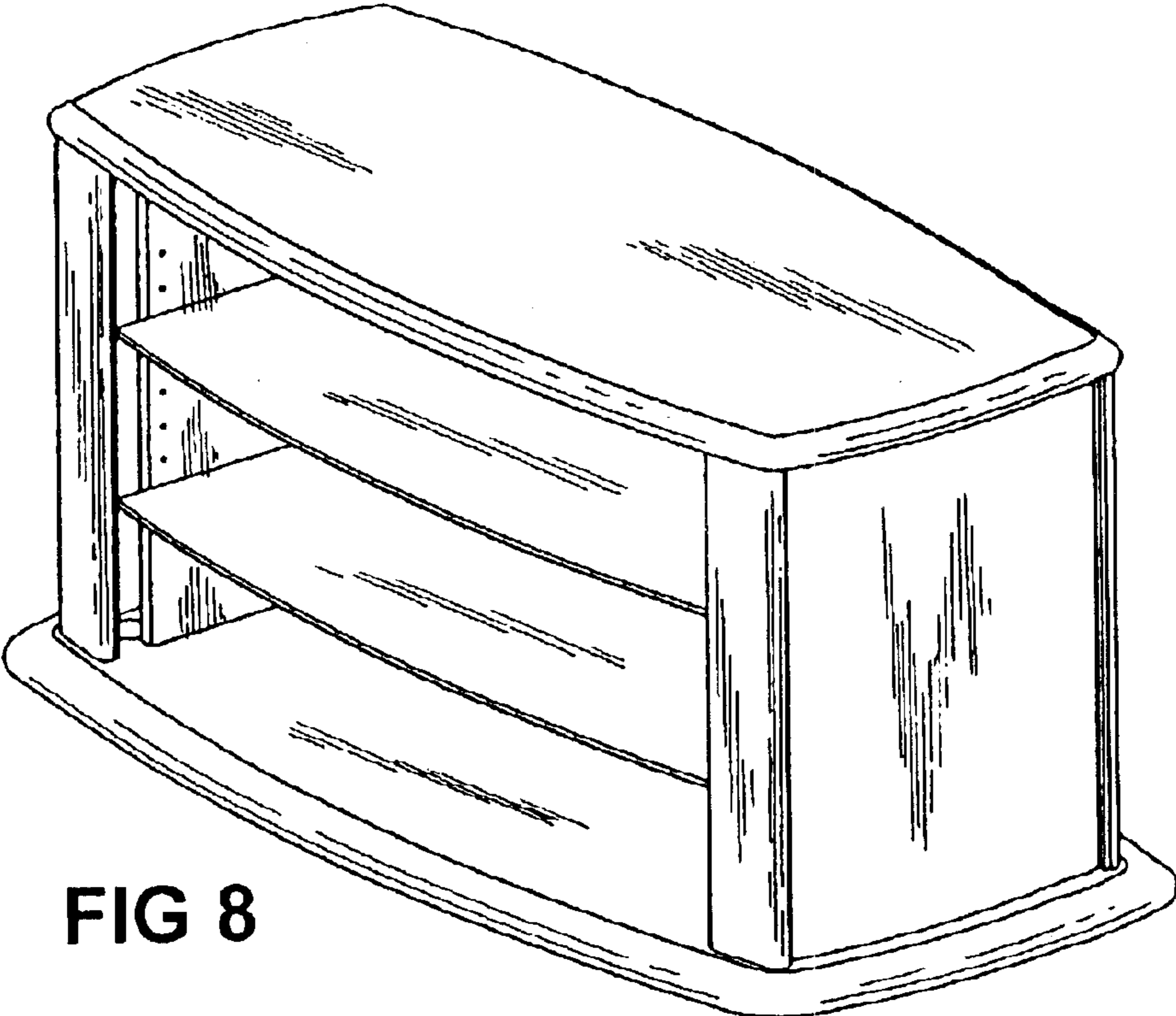
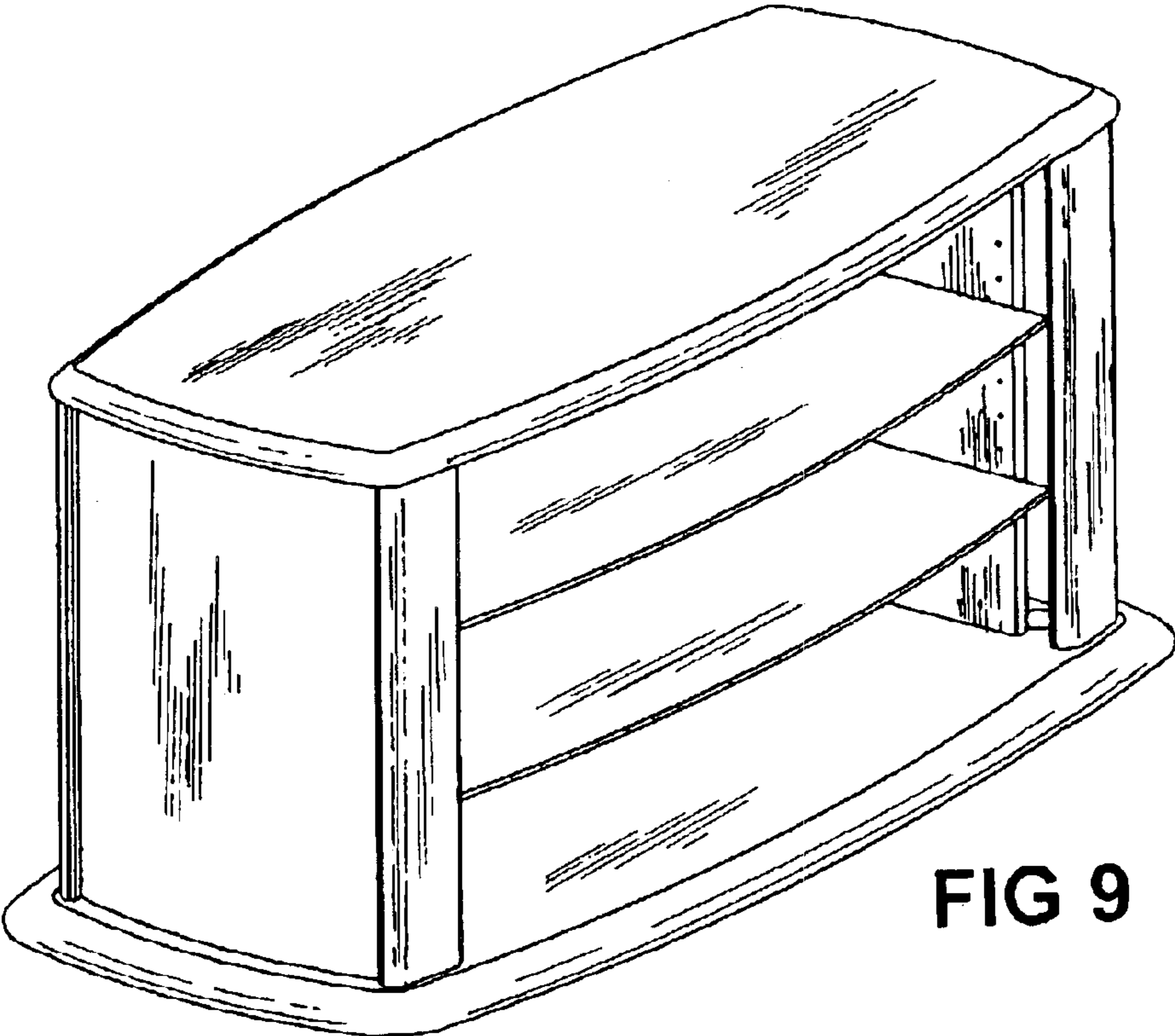


FIG 7



**FIG 8**



**FIG 9**