



US00D498610S

(12) **United States Design Patent** (10) **Patent No.:** **US D498,610 S**  
**Davis** (45) **Date of Patent:** **\*\* Nov. 23, 2004**

(54) **JEWELRY CHEST**

(75) Inventor: **Joseph G. Davis**, Evington, VA (US)

(73) Assignee: **L. Powell Company**, Culver City, PA (US)

(\*\*) Term: **14 Years**

(21) Appl. No.: **29/195,055**

(22) Filed: **Dec. 5, 2003**

(51) **LOC (7) Cl.** ..... **06-04**

(52) **U.S. Cl.** ..... **D6/440; D6/446**

(58) **Field of Search** ..... **D6/432-448; D3/275, D3/295, 296, 903; 312/204, 224, 278, 279**

(56) **References Cited**

**U.S. PATENT DOCUMENTS**

D59,057 S	*	9/1921	Bergstrom	.....	D6/448
D59,058 S	*	9/1921	Bergstrom	.....	D6/446
D59,059 S	*	9/1921	Bergstrom	.....	D6/446
D222,888 S	*	1/1972	Lax	.....	D6/445
D319,153 S		8/1991	Powell	.....	D6/440
D319,155 S		8/1991	Powell	.....	D6/448
D384,833 S	*	10/1997	Kelley	.....	D6/397
D409,853 S	*	5/1999	Horn	.....	D6/397
D429,915 S	*	8/2000	Hazen et al.	.....	D6/432
D471,735 S	*	3/2003	Draheim et al.	.....	D6/445

**OTHER PUBLICATIONS**

Furniture Today, Hamilton & Spill Chest, p. 155, Apr. 3, 2000.\*

Furniture Today, Murphy Chest, p. 269, Oct. 14, 2002.\*

\* cited by examiner

*Primary Examiner*—Cathron Brooks

(74) *Attorney, Agent, or Firm*—Sheppard, Mullin, Richter & Hampton LLP

(57) **CLAIM**

I claim the ornamental design for a jewelry chest, as shown and described.

**DESCRIPTION**

FIG. 1 is a perspective view of the jewelry chest showing the new design;

FIG. 2 is a second perspective view thereof, with the top and side doors in the open position;

FIG. 3 is a third perspective view thereof;

FIG. 4 is a front elevational view thereof;

FIG. 5 is a top plan view thereof,

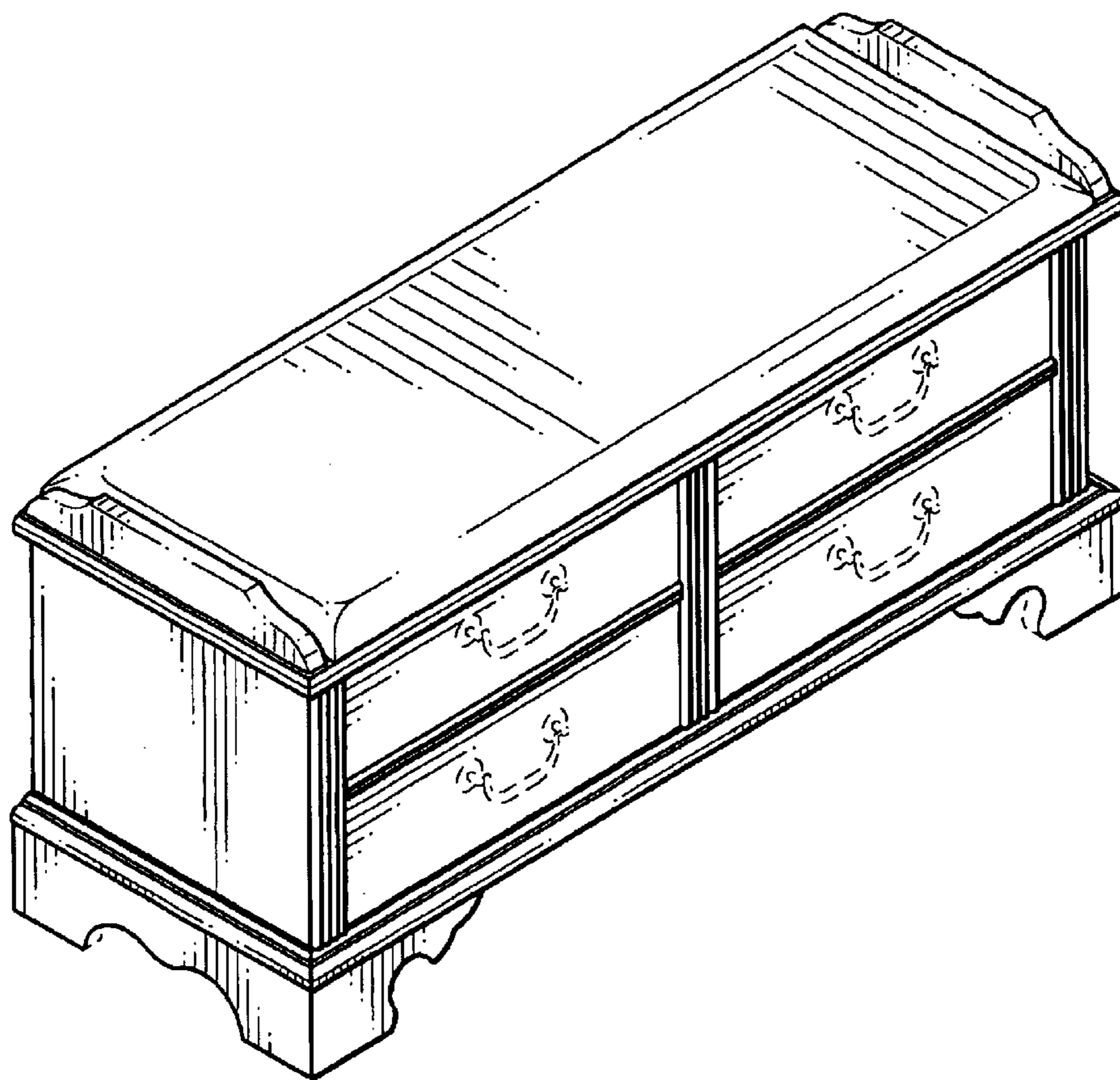
FIG. 6 is a rear elevational view thereof;

FIG. 7 is a bottom plan view thereof; and,

FIG. 8 is a right side elevational view thereof, the left side elevational view being a mirror image thereof.

The dotted lines are for illustrative purposes only and form no part of the claimed design.

**1 Claim, 8 Drawing Sheets**



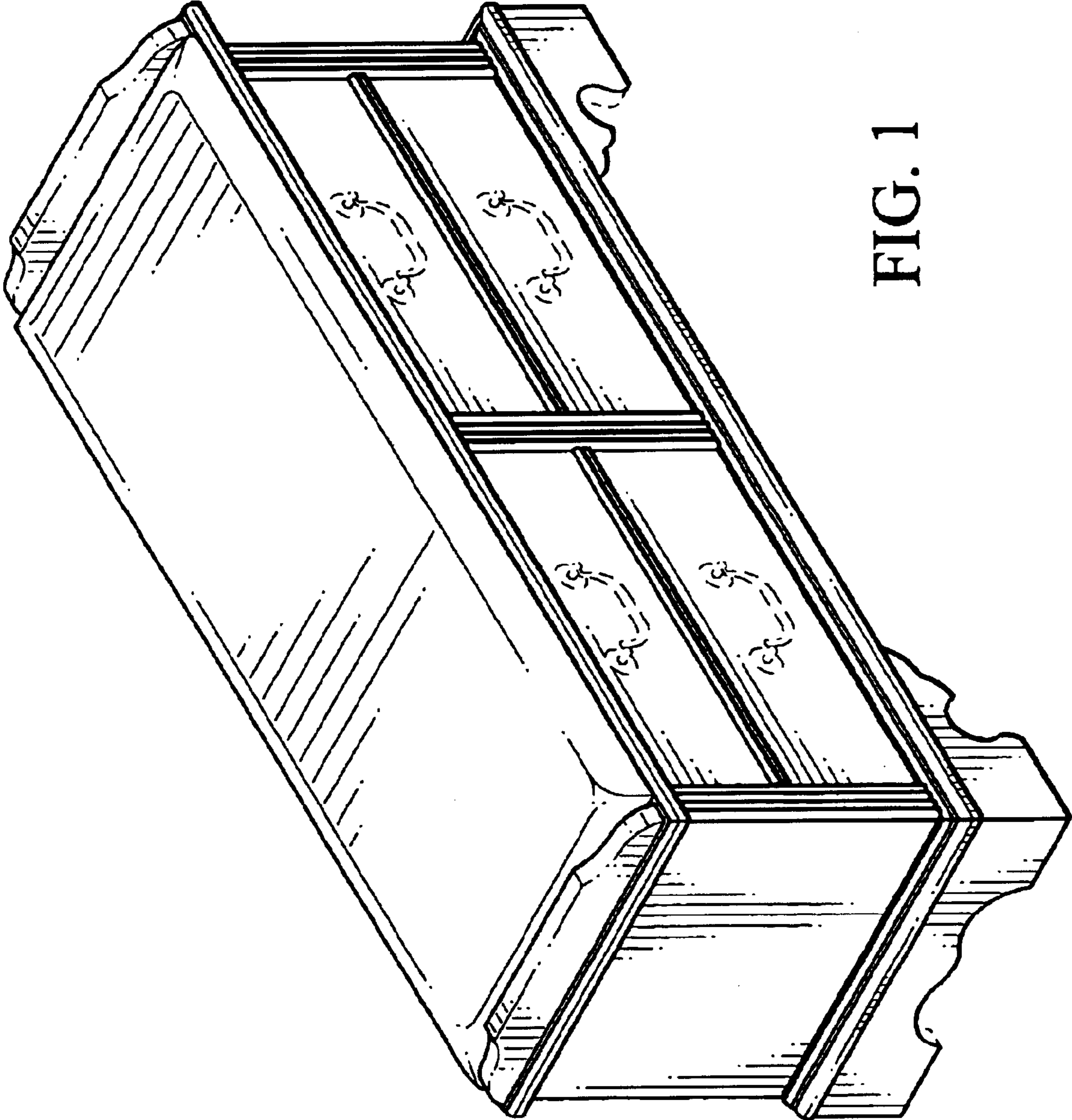


FIG. 1

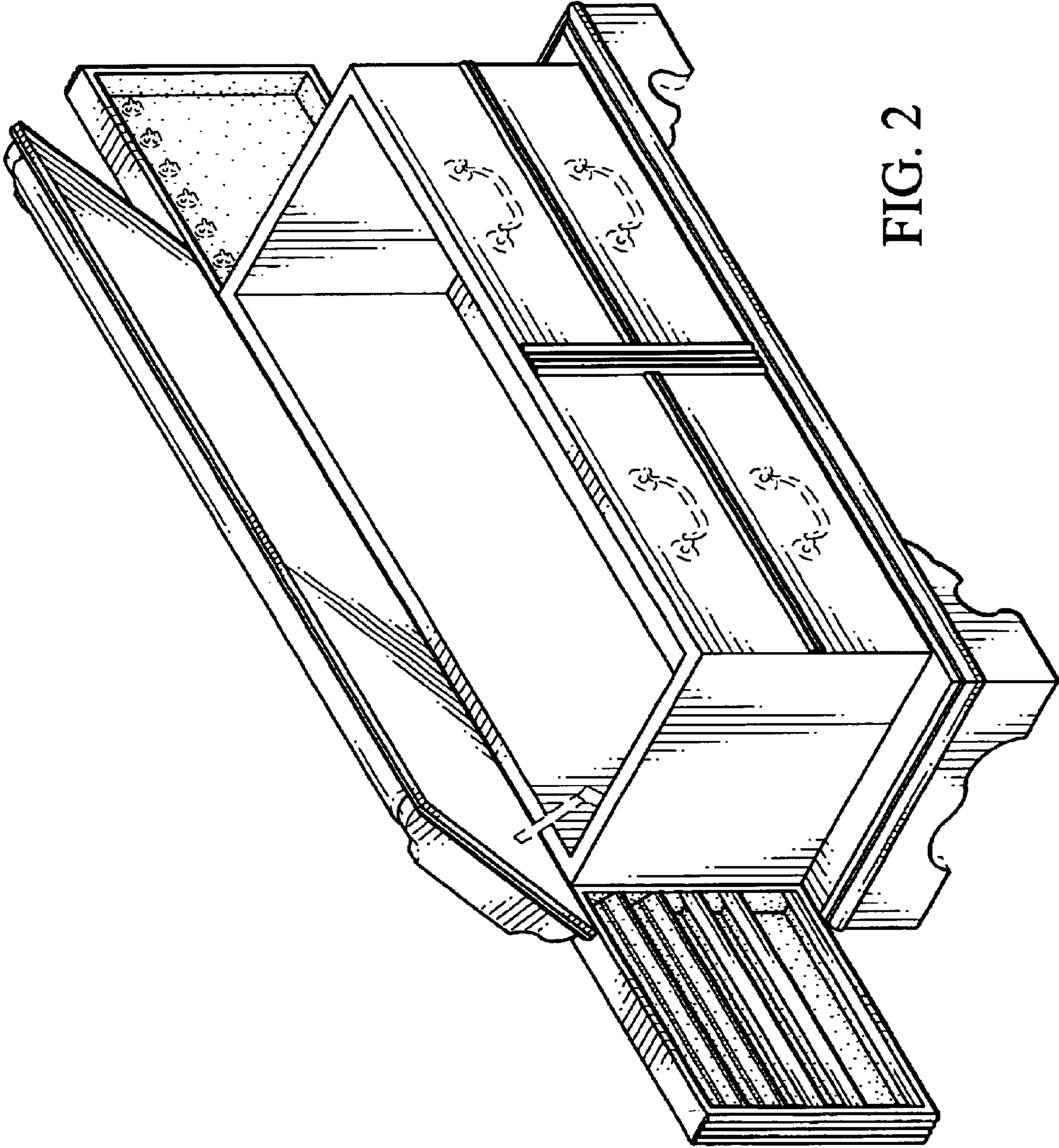


FIG. 2

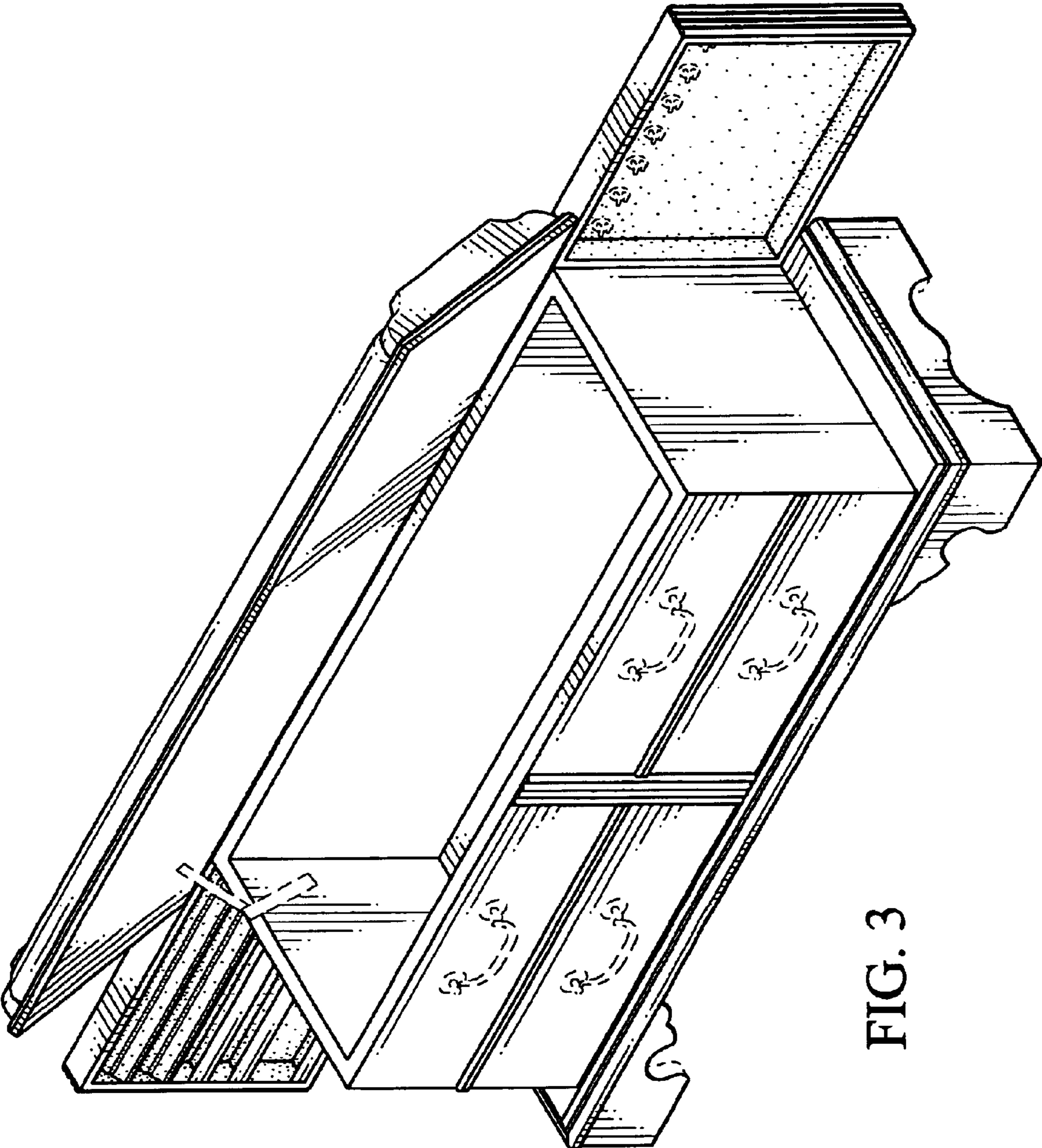


FIG. 3

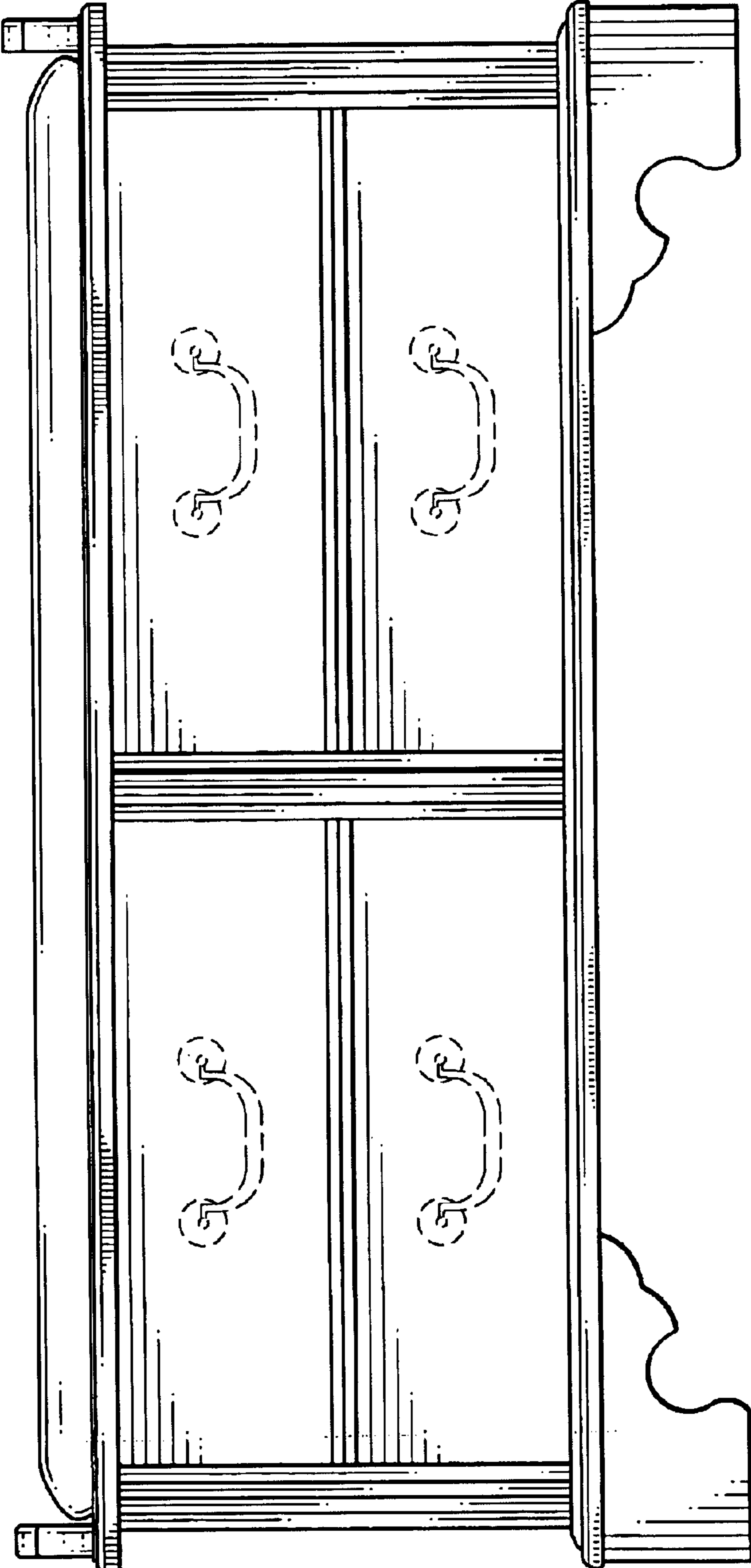


FIG. 4

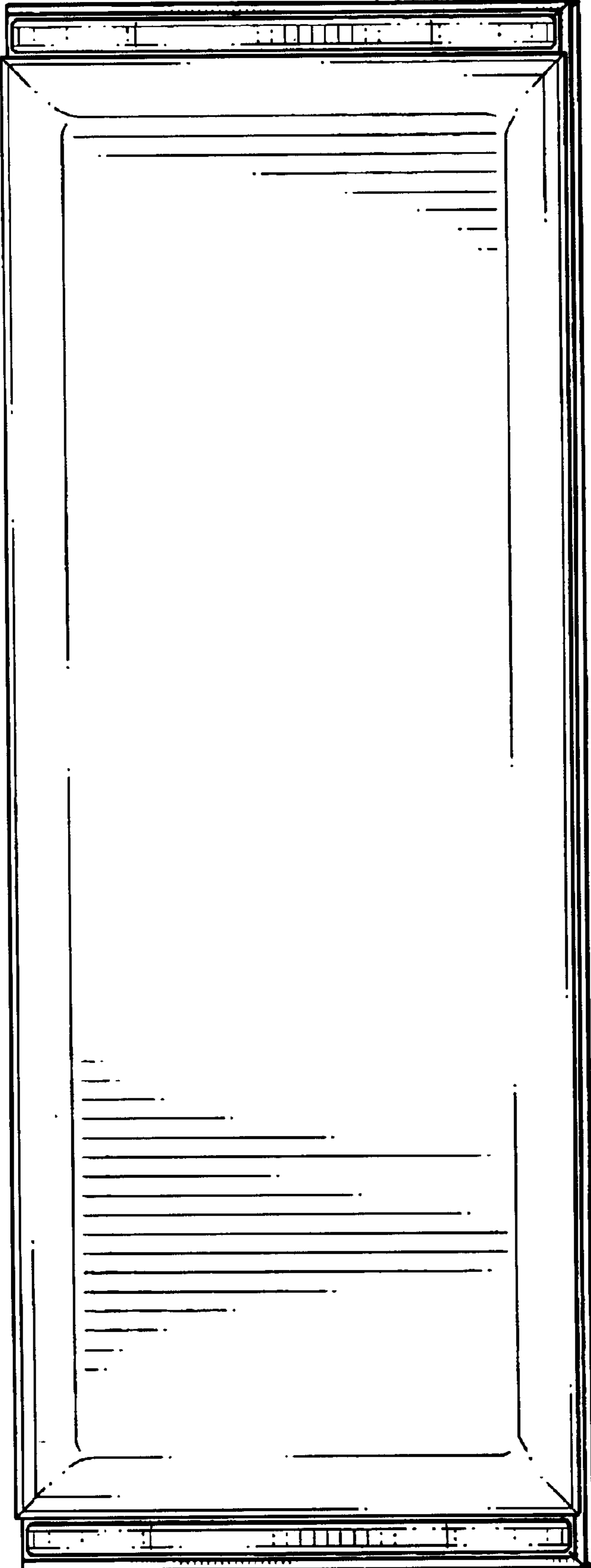


FIG. 5

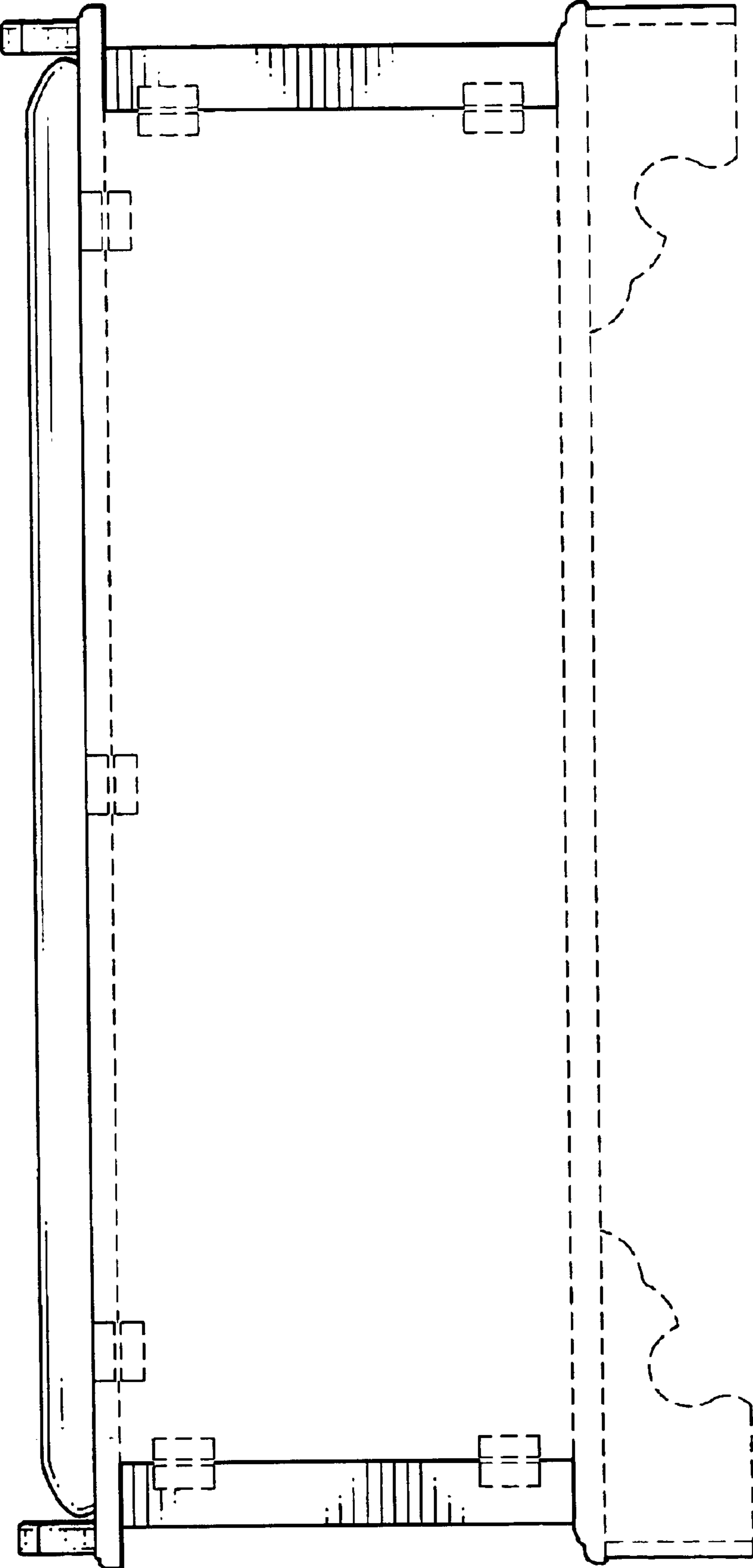


FIG. 6

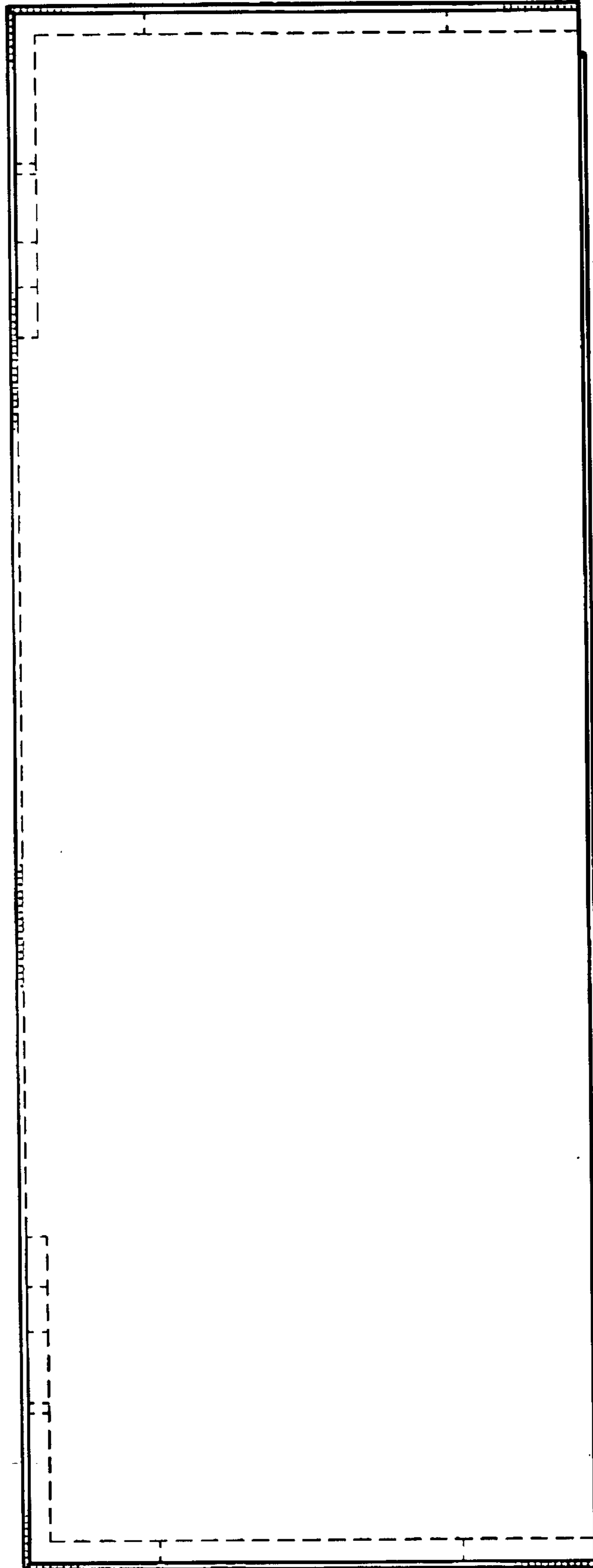


FIG. 7



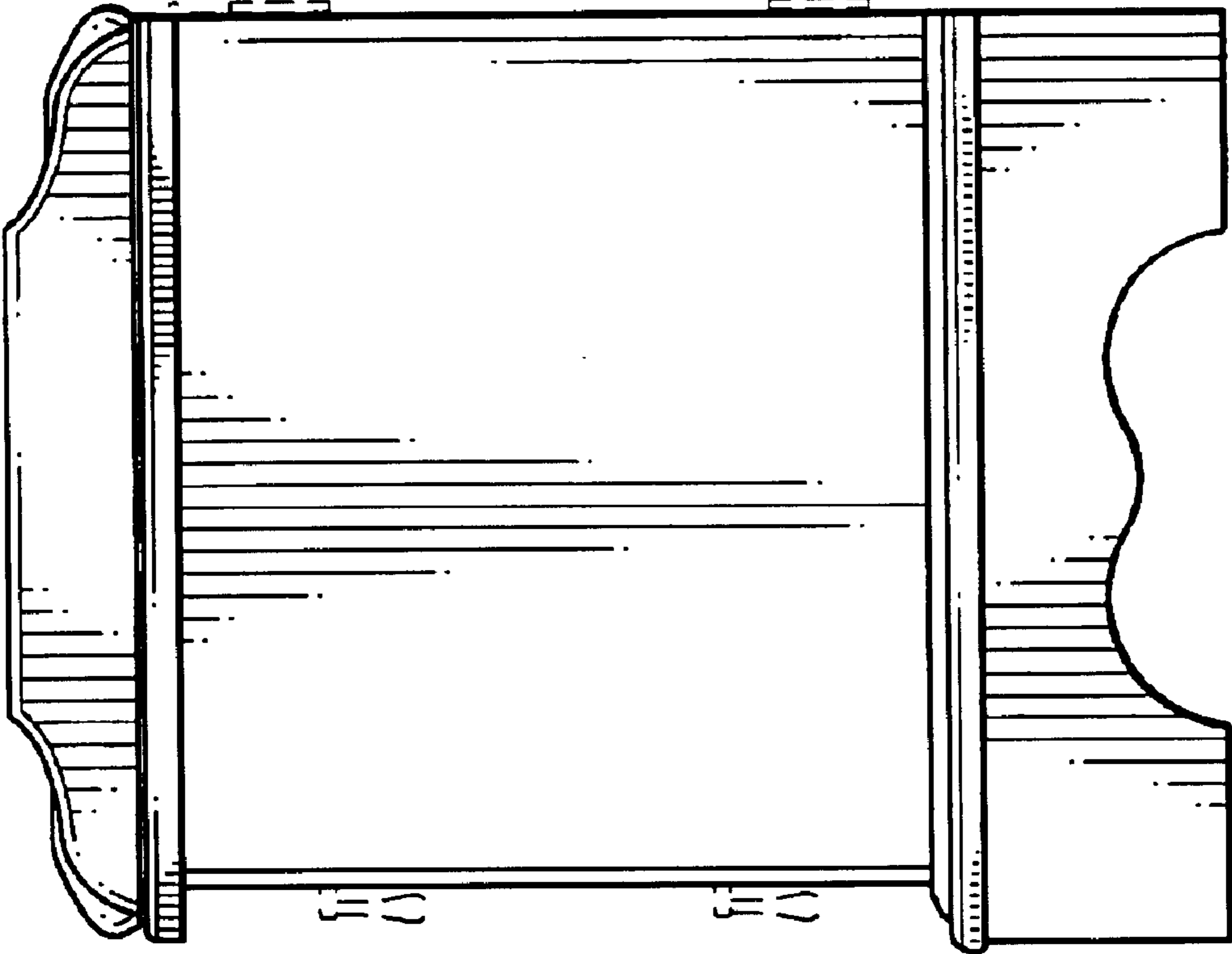


FIG. 8