

US00D498607S

(12) **United States Design Patent**
Hocking

(10) **Patent No.:** **US D498,607 S**

(45) **Date of Patent:** **** Nov. 23, 2004**

(54) **TUBULAR SHELF SUPPORT STAND**

D464,501 S * 10/2002 Lin D6/425
D474,921 S * 5/2003 Chen D6/426

(75) **Inventor:** **Rory Garth Hocking**, Porirua (NZ)

* cited by examiner

(73) **Assignee:** **New Zealand Post Ltd.**, Wellington (NZ)

Primary Examiner—Janice E. Seeger
(74) *Attorney, Agent, or Firm*—Dann, Dorfman, Herrell and Skillman, P.C.

(**) **Term:** **14 Years**

(21) **Appl. No.:** **29/176,510**

(57) **CLAIM**

(22) **Filed:** **Feb. 21, 2003**

The ornamental design for a tubular shelf support stand, substantially as shown and described.

(30) **Foreign Application Priority Data**

DESCRIPTION

Aug. 21, 2002 (NZ) 402904

(51) **LOC (7) Cl.** **06-03**

(52) **U.S. Cl.** **D6/426**

(58) **Field of Search** D6/421, 422, 426–428,
D6/464, 465, 477, 479, 484; 312/194–196,
208.1, 223.2, 223.3; 108/50.01, 50.02, 59,
91, 92

FIG. 1 is a front perspective view of the tubular shelf support stand;

FIG. 2 is a front elevation view thereof;

FIG. 3 is a right hand side elevational view thereof, the left hand side being a substantial mirror image thereof;

FIG. 4 is a rear elevation view thereof; and,

FIG. 5 is a top plan view thereof.

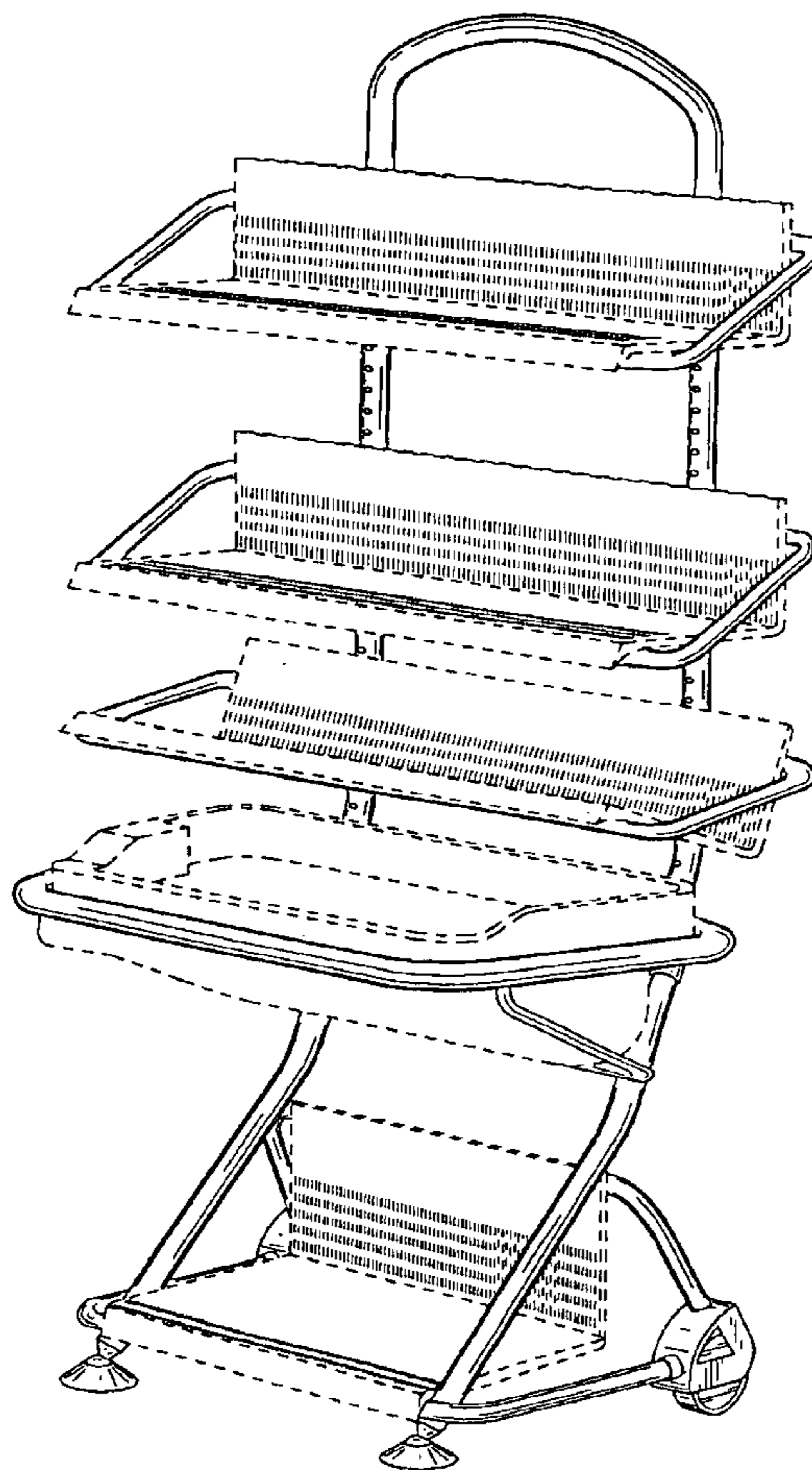
The shape and configuration of the shelf trays shown in the drawings do not form part of the claimed design.

(56) **References Cited**

U.S. PATENT DOCUMENTS

D457,747 S * 5/2002 Luong D6/426

1 Claim, 5 Drawing Sheets



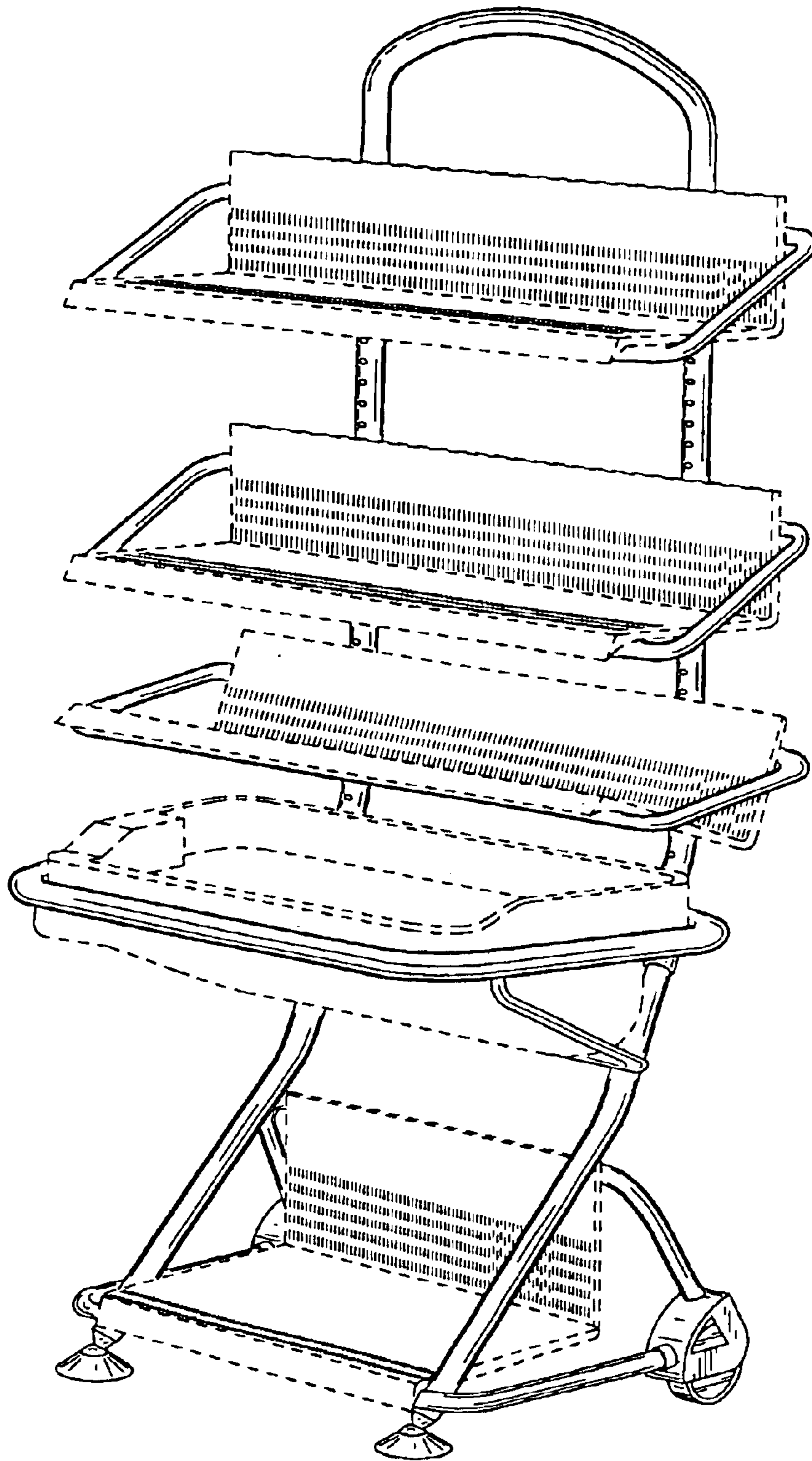


FIG. 1

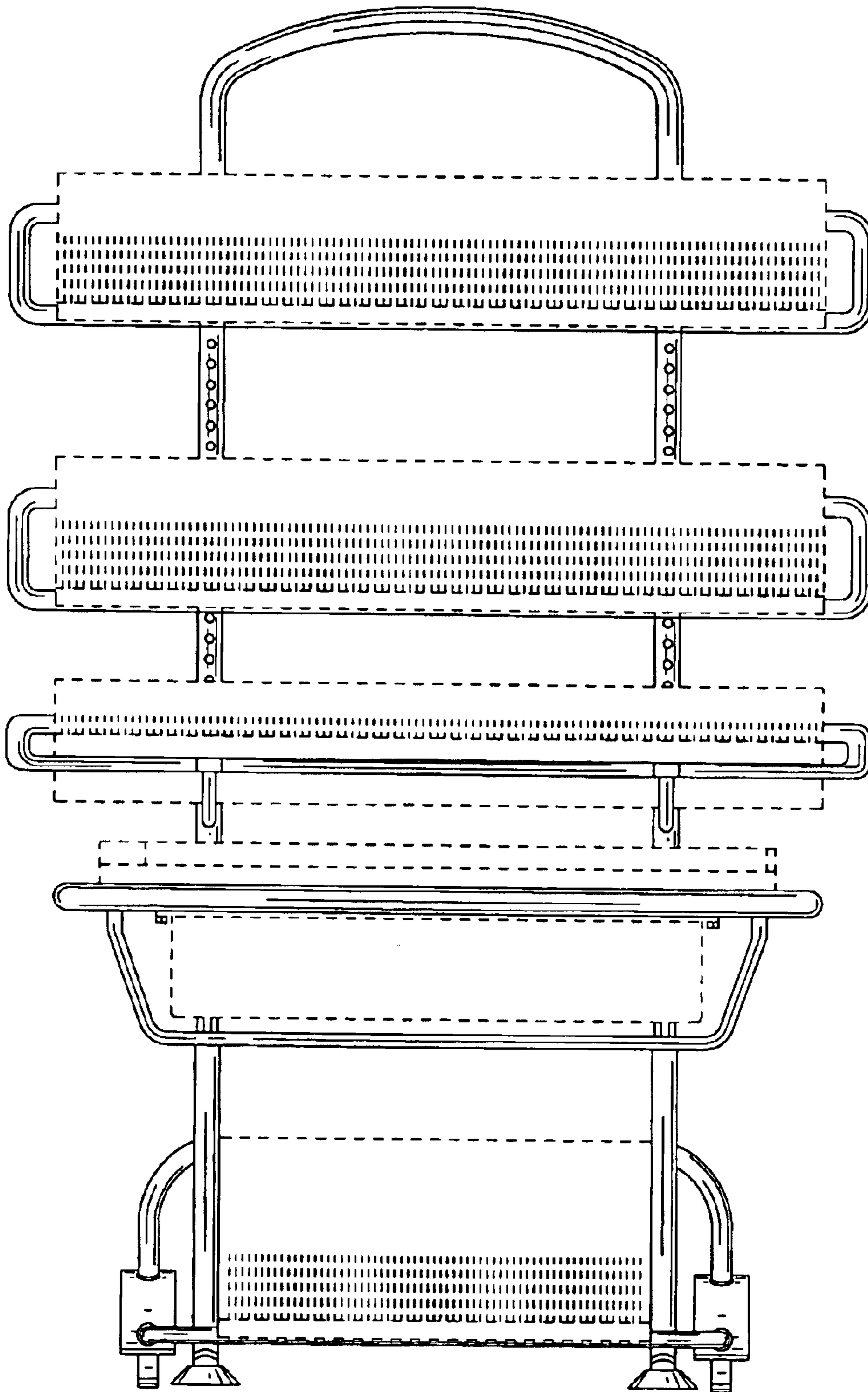


FIG. 2

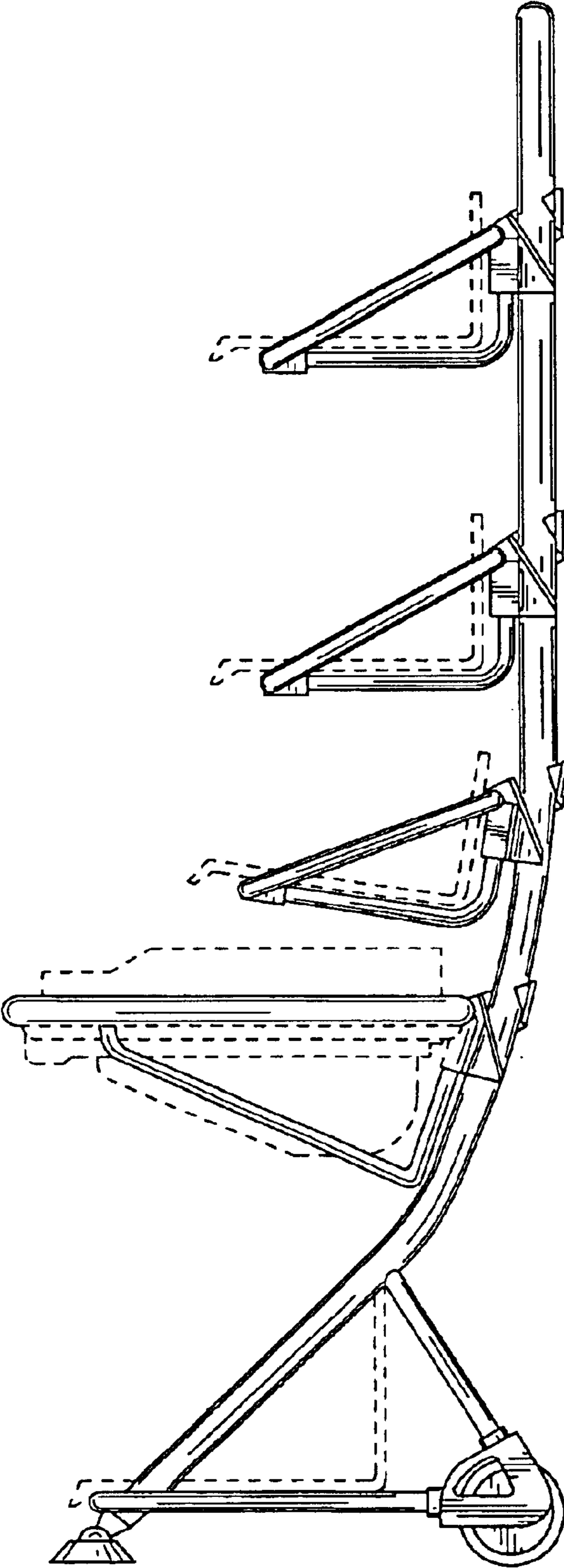


FIG. 3

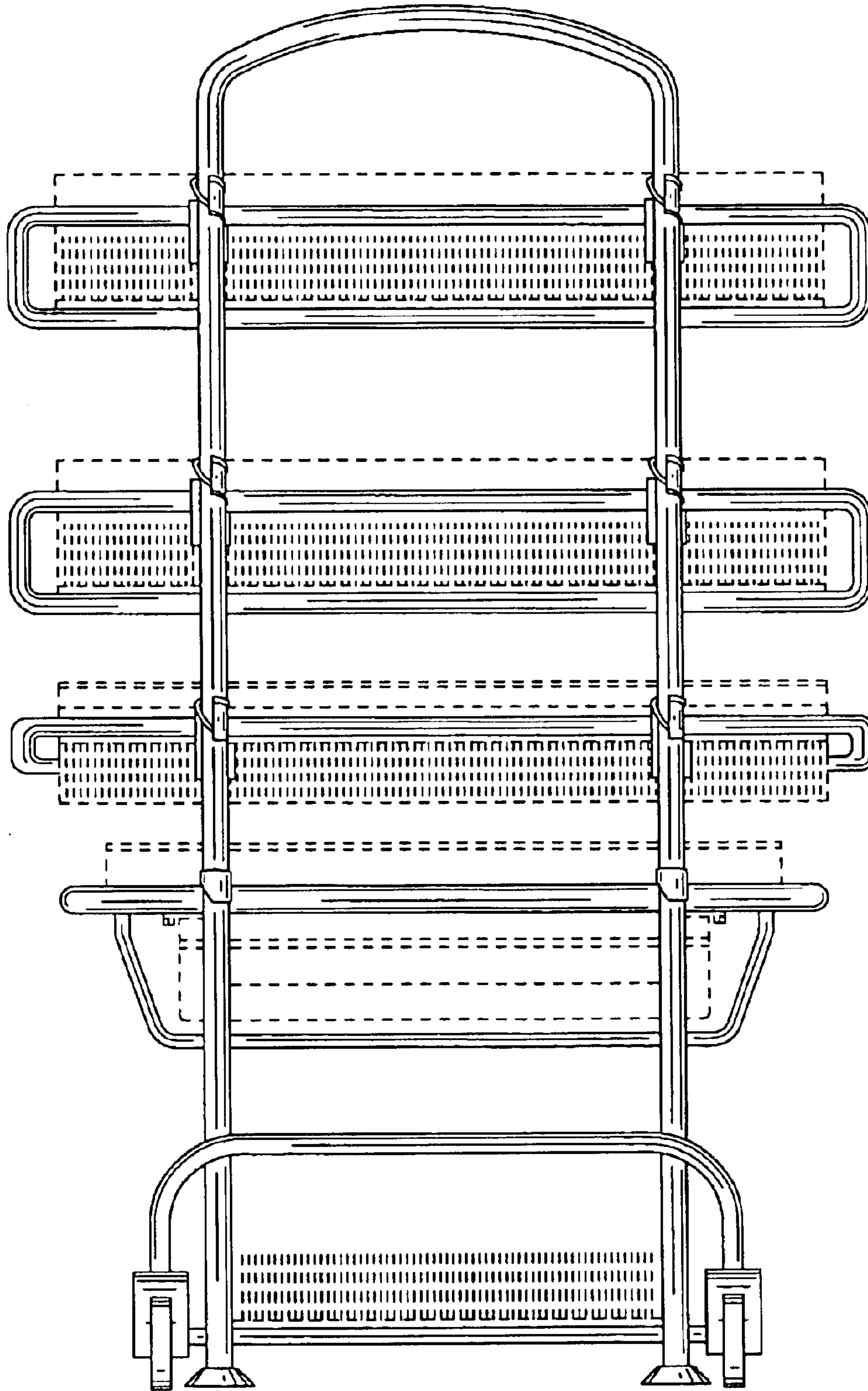


FIG. 4

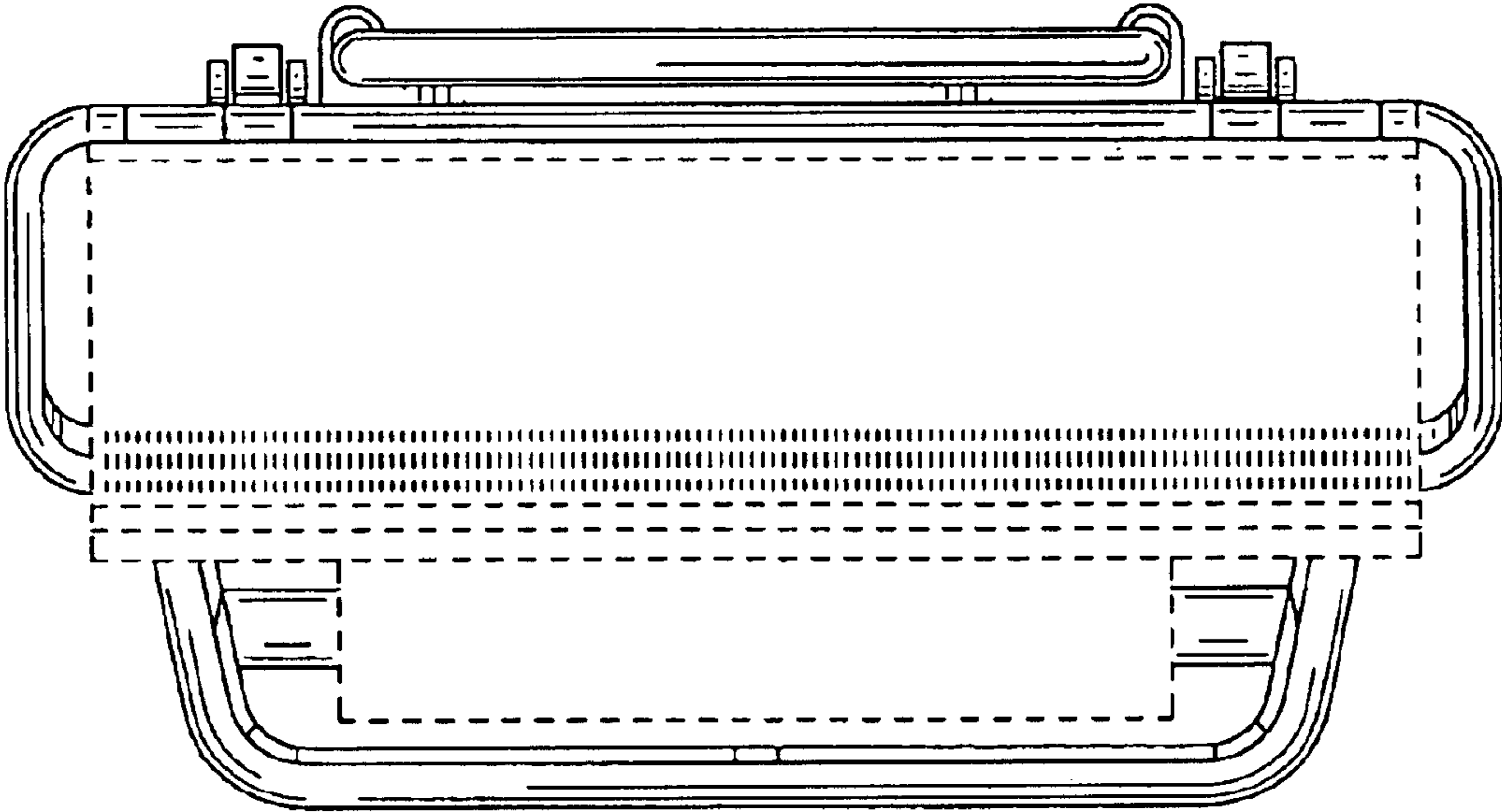


FIG. 5