

US00D498605S

(12) **United States Design Patent**  
**Barry**

(10) **Patent No.:** **US D498,605 S**

(45) **Date of Patent:** **\*\* Nov. 23, 2004**

(54) **BED FRAME**

(75) **Inventor:** **Olivia Noel Redmond Barry,**  
Brooklyn, NY (US)

(73) **Assignee:** **Olivia N. R. Barry,** New York, NY  
(US)

(\*\*) **Term:** **14 Years**

(21) **Appl. No.:** **29/196,285**

(22) **Filed:** **Dec. 26, 2003**

(51) **LOC (7) Cl.** ..... **06-01**

(52) **U.S. Cl.** ..... **D6/392**

(58) **Field of Search** ..... D6/382-395, 505-508;  
5/279.1, 280, 281, 907, 197, 177, 201,  
240

(56) **References Cited**

**U.S. PATENT DOCUMENTS**

D277,054 S \* 1/1985 Hull ..... D6/393

D287,911 S \* 1/1987 Teixeira ..... D6/382  
D355,310 S \* 2/1995 Walker ..... D6/382  
5,469,589 A \* 11/1995 Steed et al. .... 5/400

\* cited by examiner

*Primary Examiner*—Janice E. Seeger

(57) **CLAIM**

The ornamental design for a bed frame, as shown and described.

**DESCRIPTION**

FIG. 1 is a perspective side view of the bed frame showing the new design;

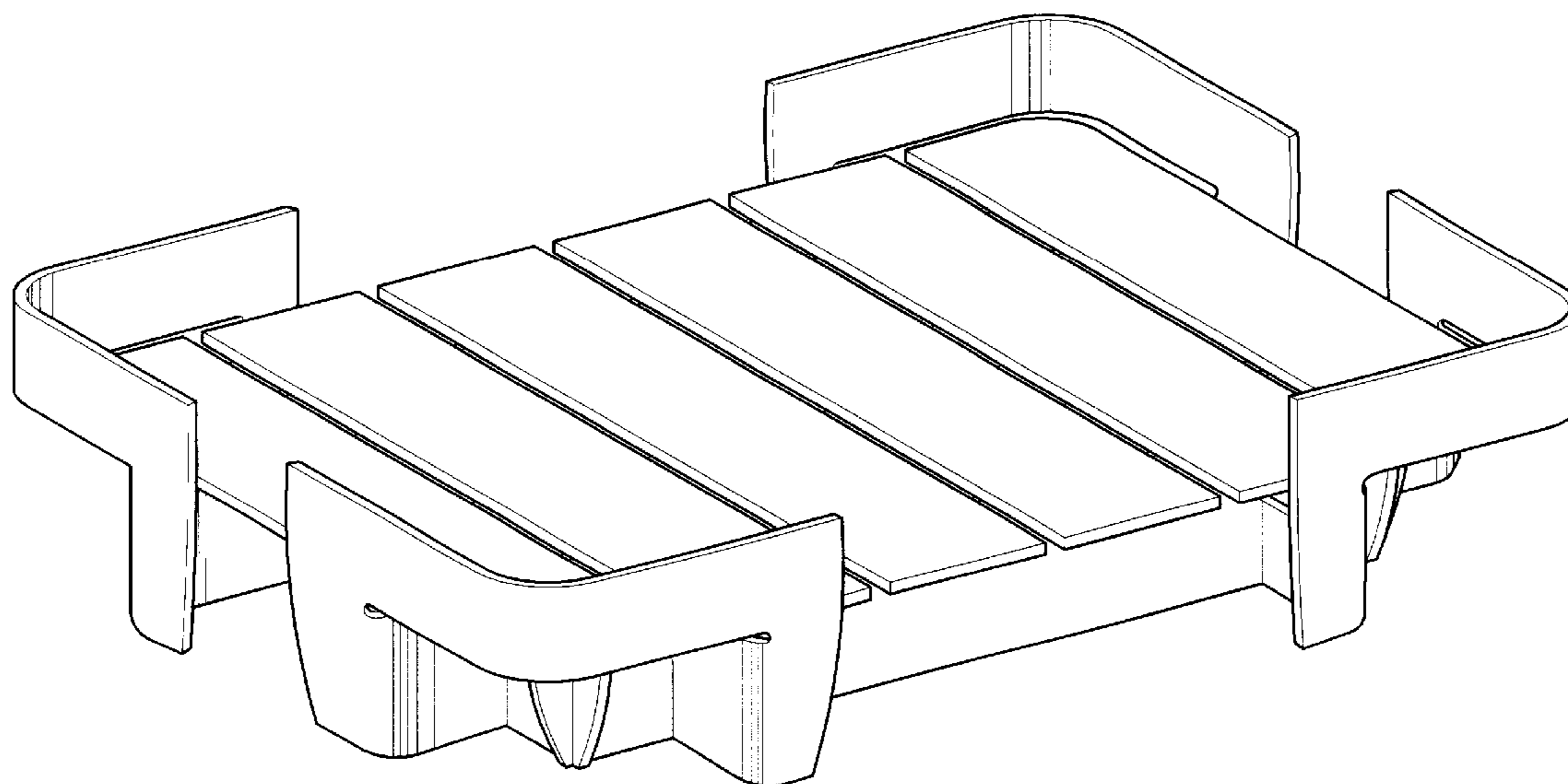
FIG. 2 is an exploded view thereof;

FIG. 3 is a side view thereof, the other side view being a mirror image thereof;

FIG. 4 is a front view thereof, the back view being a mirror image thereof; and,

FIG. 5 is a top view.

**1 Claim, 4 Drawing Sheets**



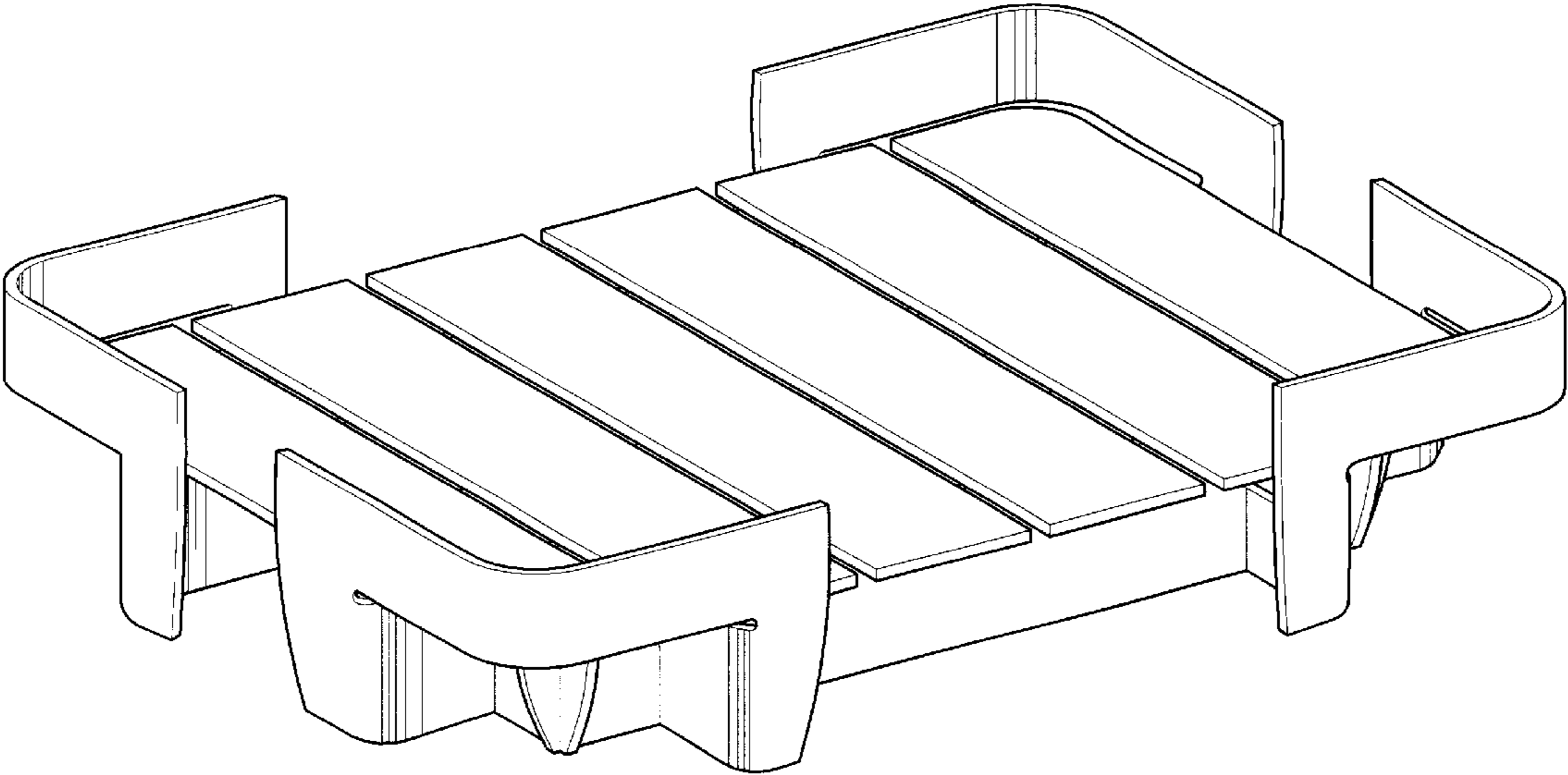
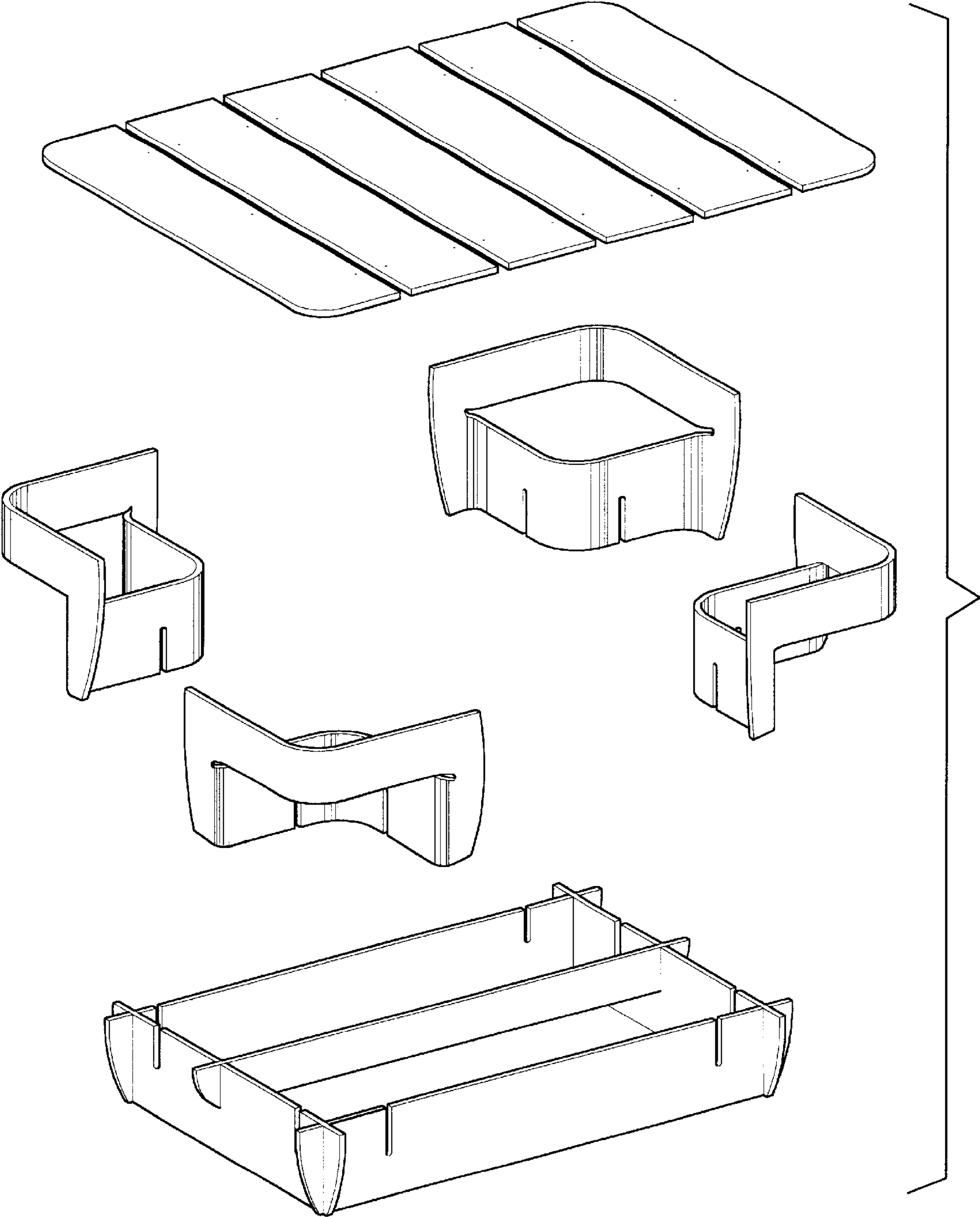
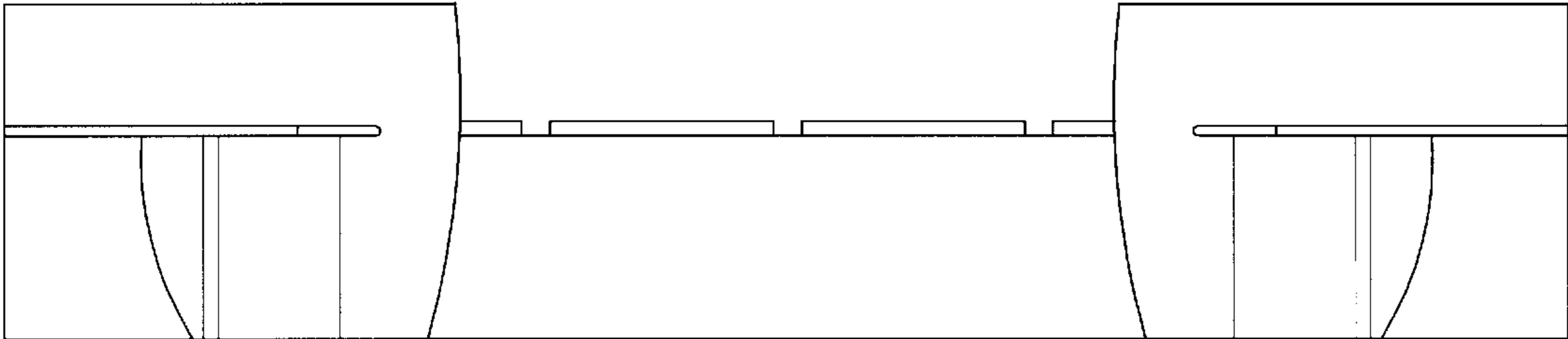


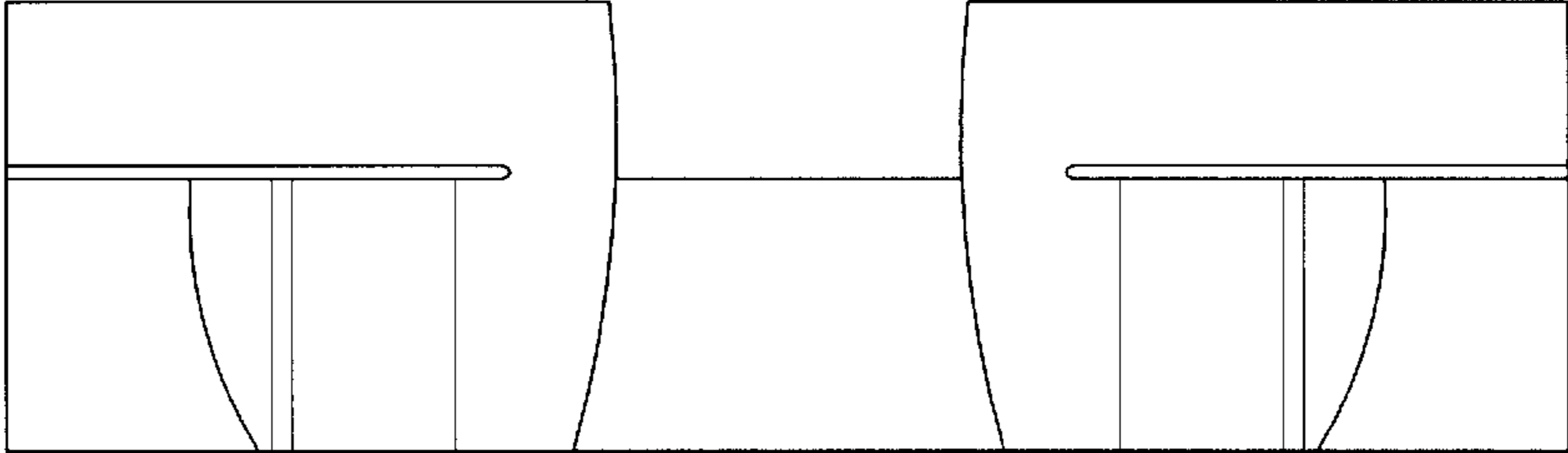
FIG.1



**FIG.2**



**FIG.3**



**FIG.4**

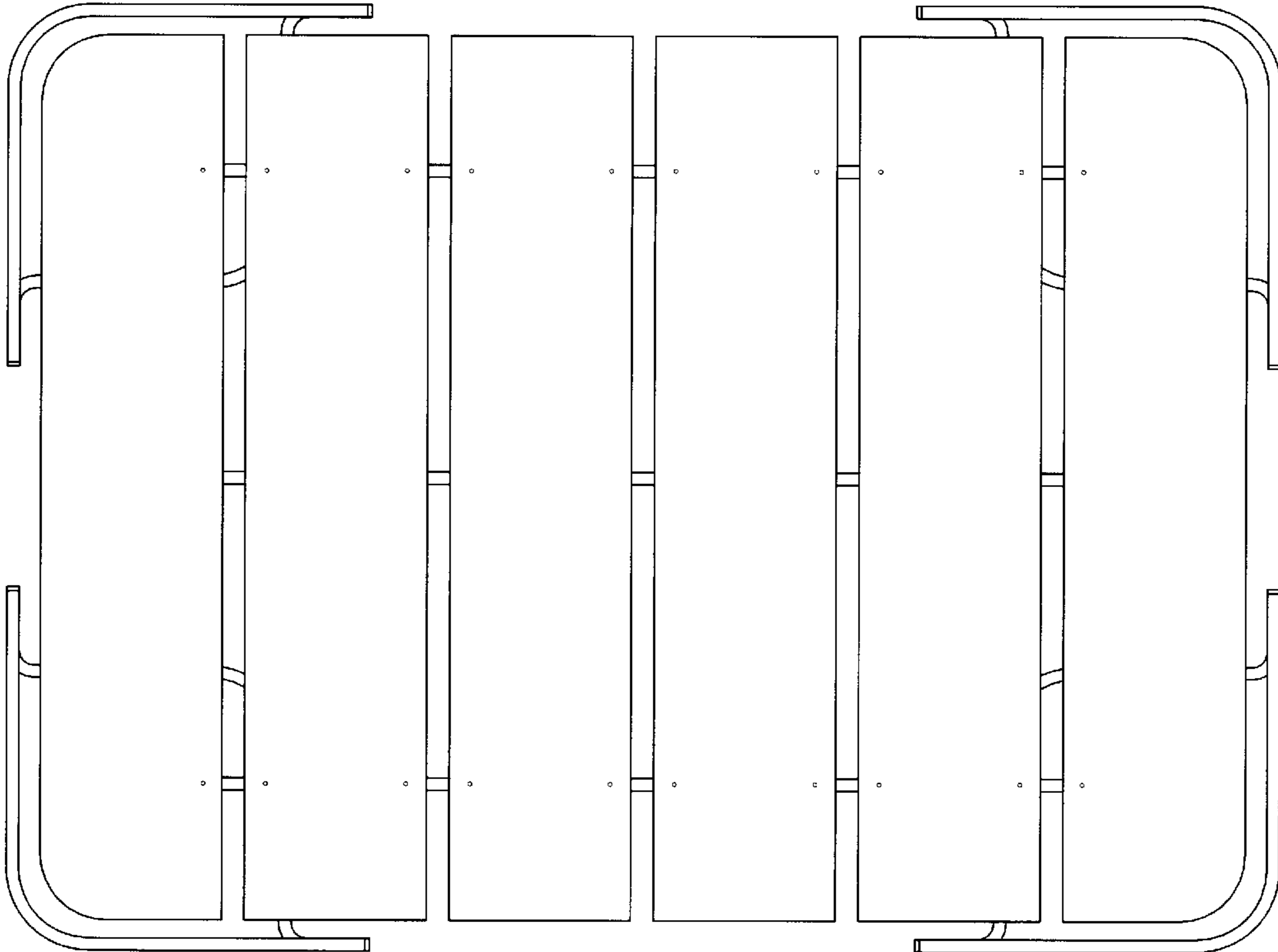


FIG.5