



US00D498602S

(12) **United States Design Patent**  
**Goodman**

(10) **Patent No.:** **US D498,602 S**  
(45) **Date of Patent:** **\*\* Nov. 23, 2004**

(54) **CHAIR**

(75) **Inventor:** **Lloyd Goodman**, Hialeah, FL (US)

(73) **Assignee:** **Pavilion Furniture, Inc.**, Miami, FL (US)

(\*\*) **Term:** **14 Years**

(21) **Appl. No.:** **29/187,441**

(22) **Filed:** **Aug. 1, 2003**

(51) **LOC (7) Cl.** ..... **06-01**

(52) **U.S. Cl.** ..... **D6/376; D6/379**

(58) **Field of Search** ..... D6/370, 334, 374,  
D6/375, 376, 379, 380, 500, 501, 502;  
297/445.1, 446.1, 239

(56) **References Cited**

**U.S. PATENT DOCUMENTS**

D95,745 S	*	5/1935	Hoffmann	.....	D6/379
D319,930 S	*	9/1991	Glendinning	.....	D6/370
D338,348 S	*	8/1993	Zacky	.....	D6/379
D340,592 S	*	10/1993	Hess	.....	D6/370
D342,627 S	*	12/1993	Tseng	.....	D6/370
D358,948 S	*	6/1995	Klein	.....	D6/379
D359,173 S	*	6/1995	Arthur, Jr.	.....	D6/370
D396,966 S	*	8/1998	Good	.....	D6/374
6,450,575 B1	*	9/2002	Liu	.....	297/239

**OTHER PUBLICATIONS**

Tropitone catalog, Silhouette #5408, p. 32, chair shown, c 1989.\*

Winston Furniture Co., p. 51, chair #8302 at top left.\*

\* cited by examiner

*Primary Examiner*—Gary D. Watson

(74) *Attorney, Agent, or Firm*—Lott & Friedland

(57) **CLAIM**

The ornamental design for a chair, substantially as shown and described.

**DESCRIPTION**

FIG. 1 is a perspective view of a first embodiment of my new design;

FIG. 2 is a side elevational view of the embodiment of FIG. 1, the opposite side view being a mirror image thereof;

FIG. 3 is a front elevational view of the embodiment of FIG. 1;

FIG. 4 is a rear elevational view of the embodiment of FIG. 1;

FIG. 5 is a top view of the embodiment of FIG. 1; and,

FIG. 6 is a bottom view of the embodiment of FIG. 1.

The broken lines shown in FIGS. 1–6 represent the chair's seating surfaces which form no part of the claimed invention.

**1 Claim, 5 Drawing Sheets**

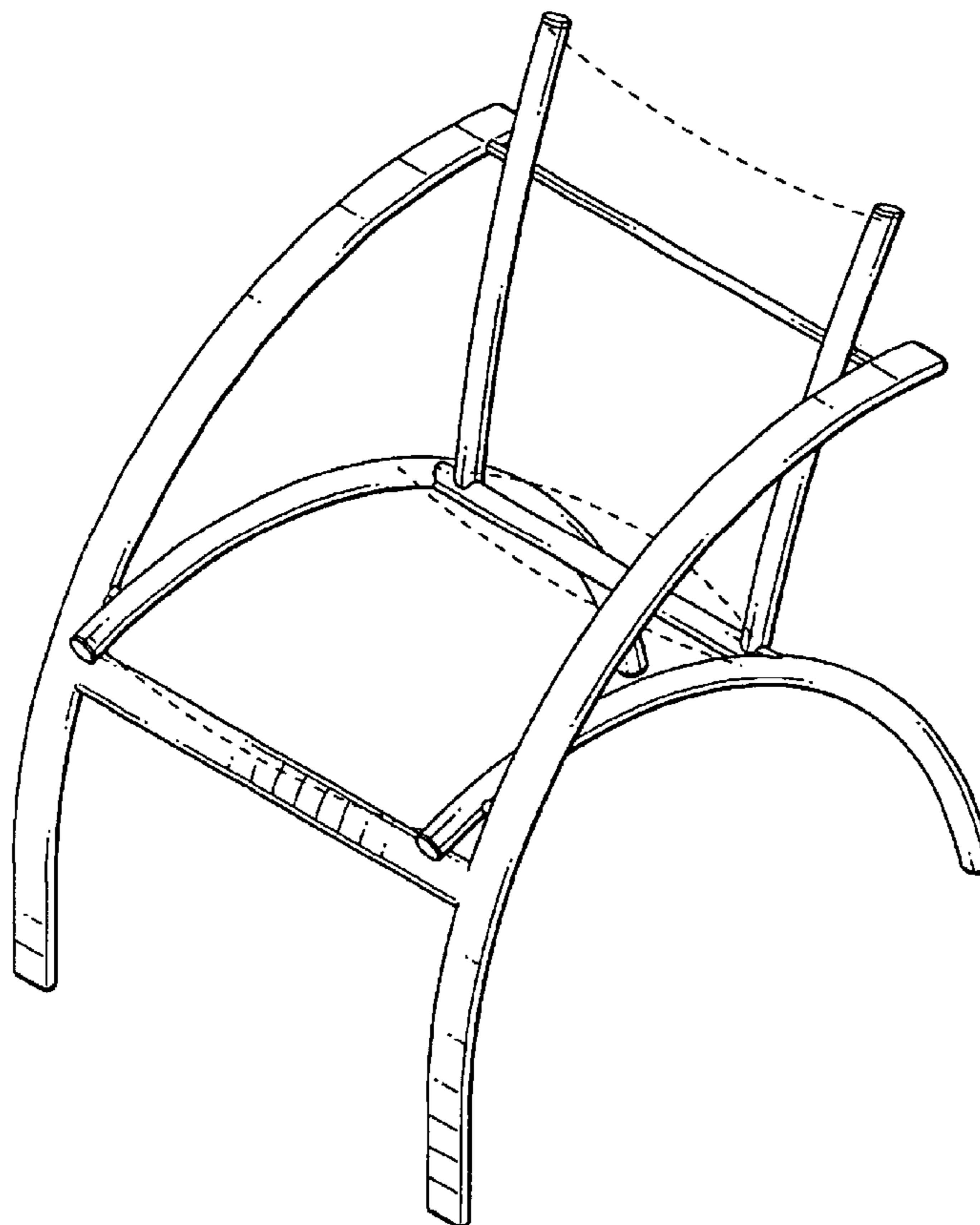


FIG. 1

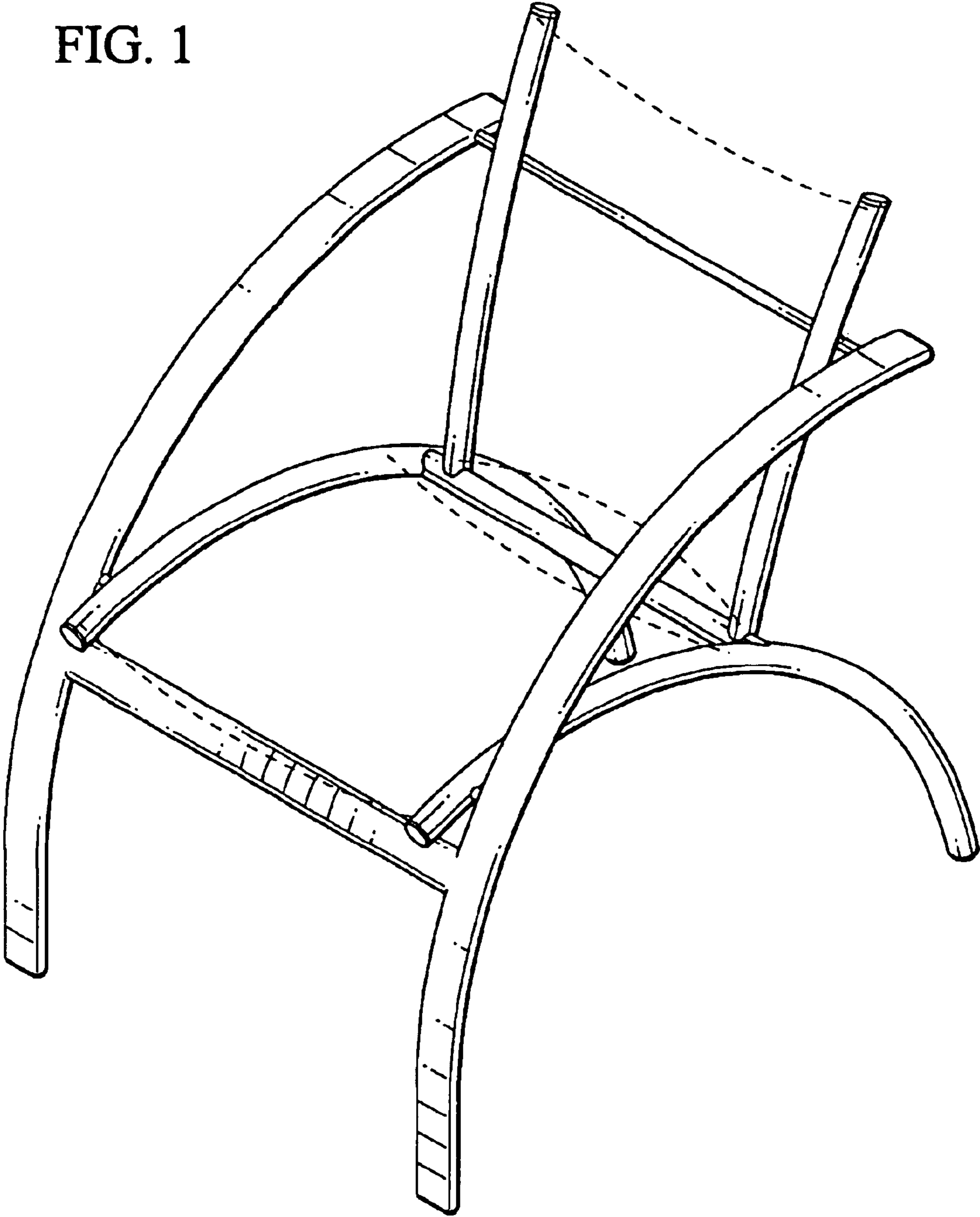


FIG. 2

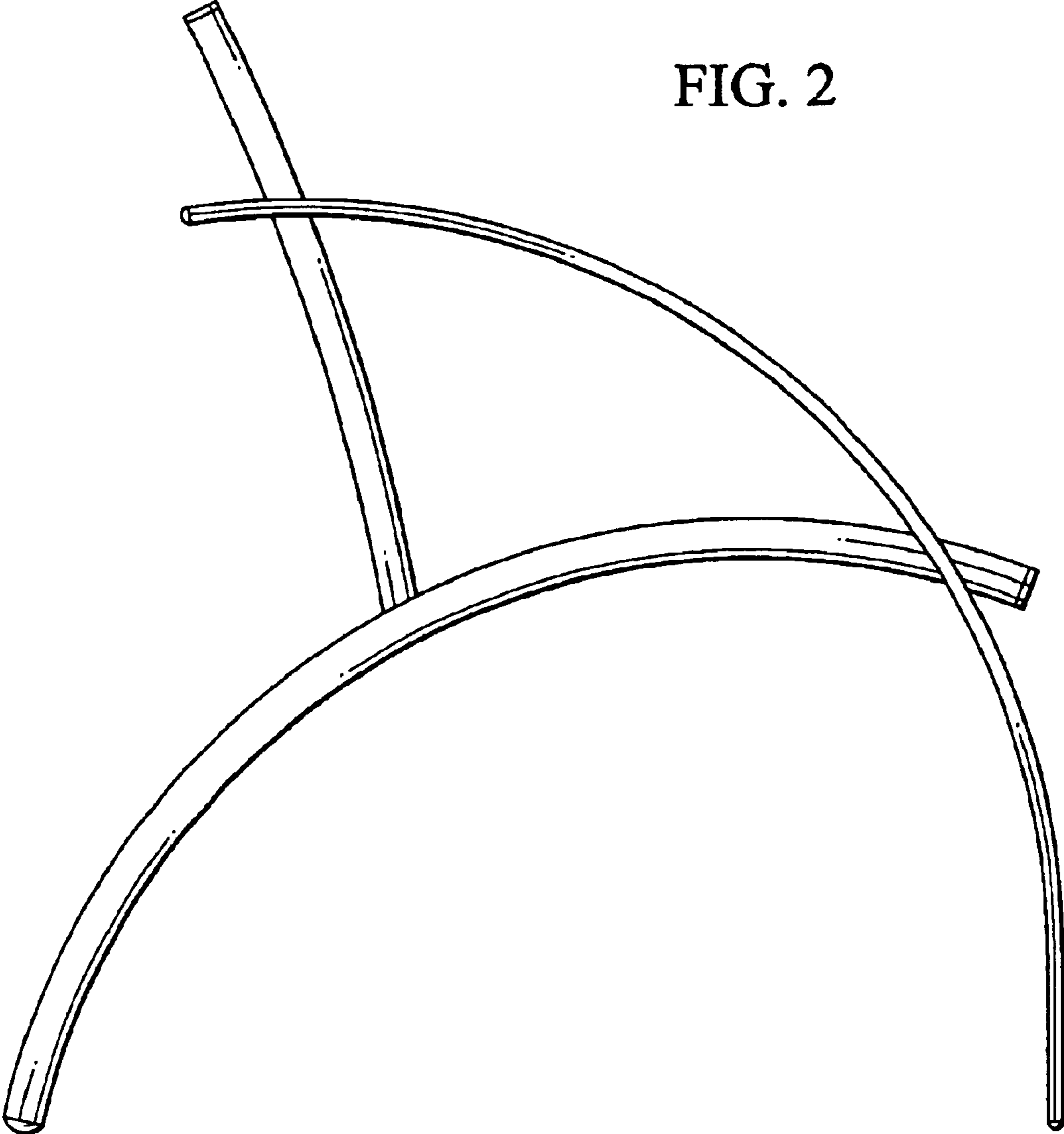


FIG. 3

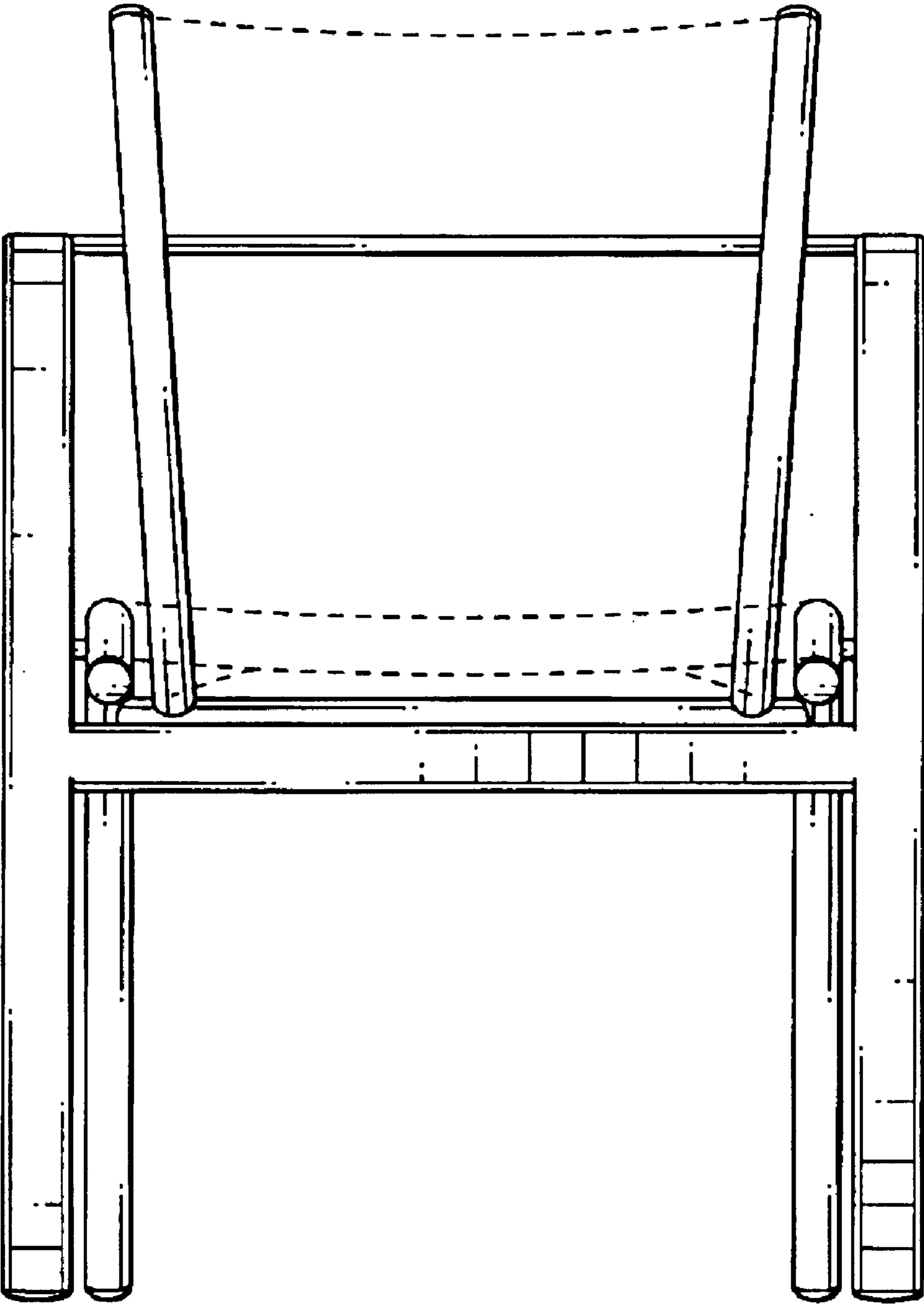
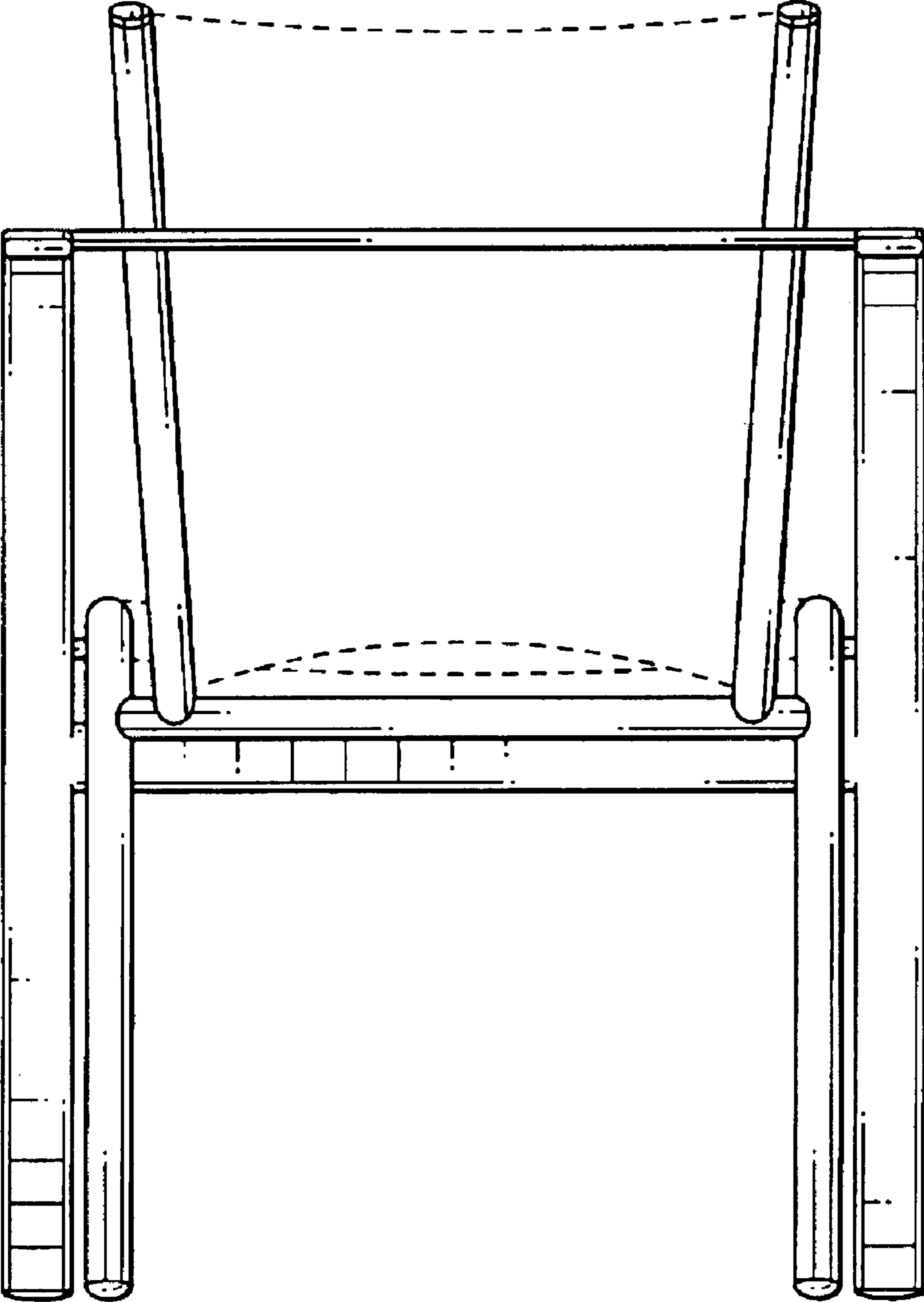


FIG. 4



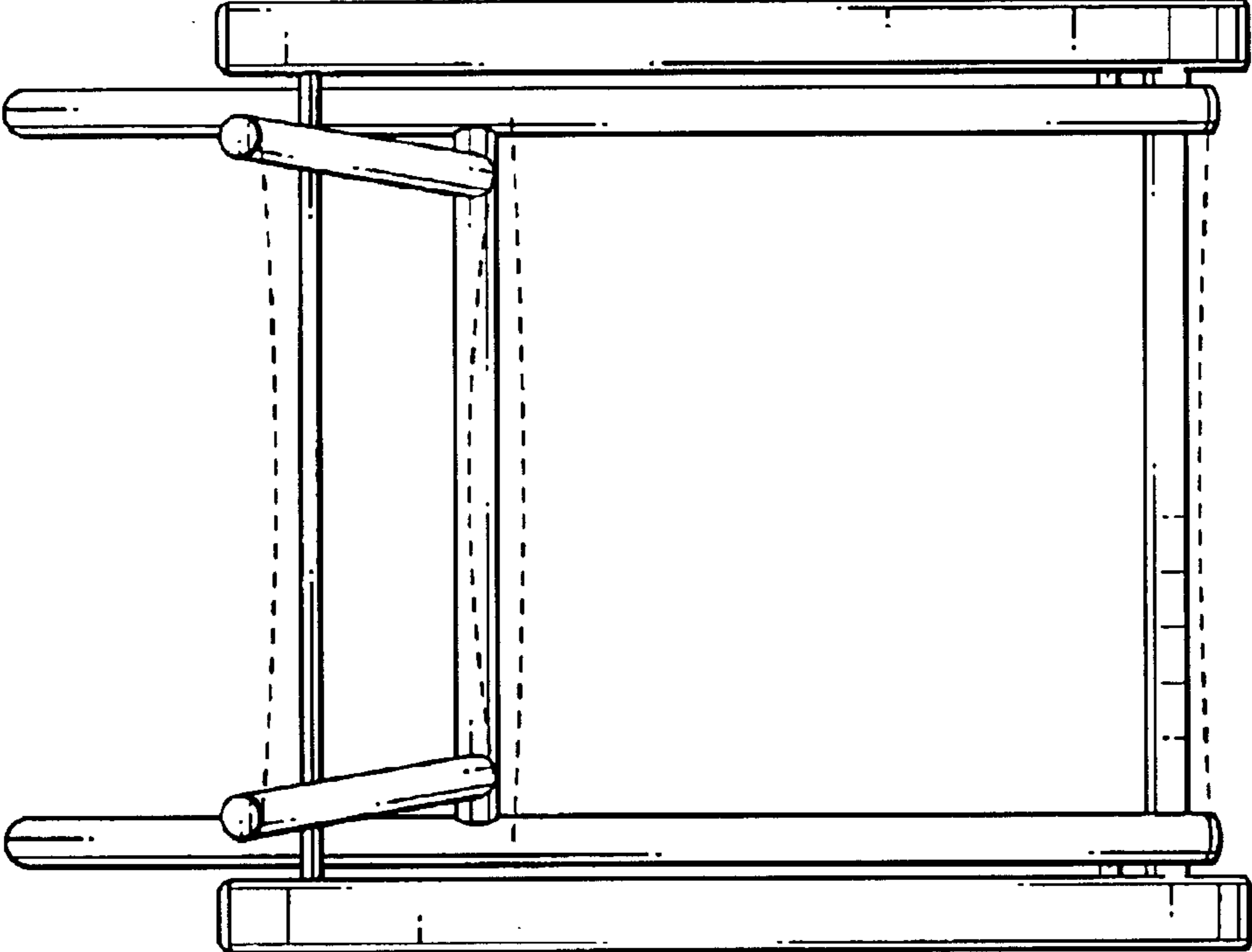


FIG. 5

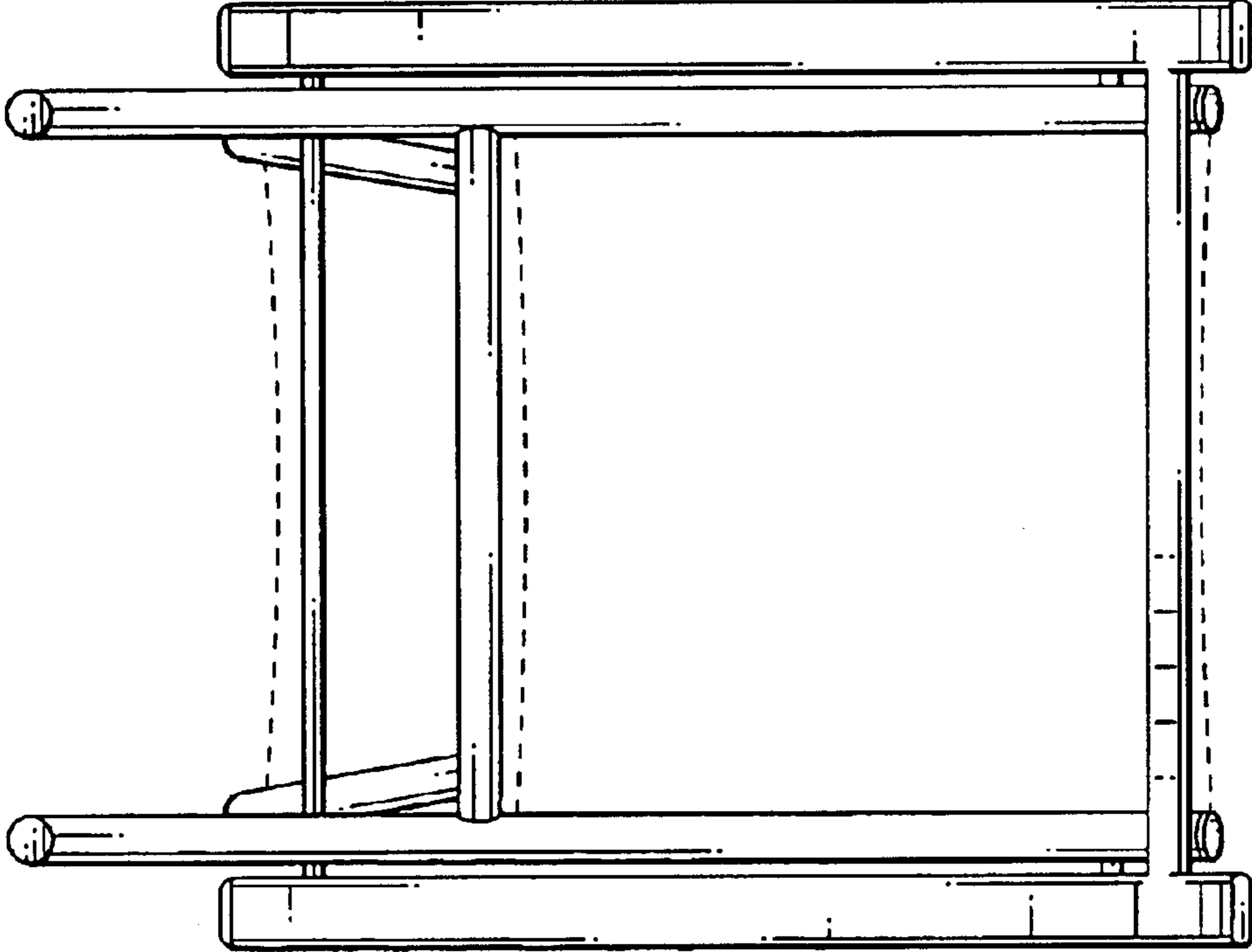


FIG. 6