

US00D498594S

(12) **United States Design Patent**
Mohundro

(10) **Patent No.:** **US D498,594 S**

(45) **Date of Patent:** **** Nov. 23, 2004**

(54) **MIRROR**

D469,261 S * 1/2003 Stanton D6/300
D474,035 S * 5/2003 Tobin, Jr. D6/300

(75) **Inventor:** **James Glenn Mohundro, Taichung (TW)**

* cited by examiner

(73) **Assignee:** **Pacific Marketing International Co., Ltd., Taichung (TW)**

Primary Examiner—Janice E. Seeger
(74) *Attorney, Agent, or Firm*—Rosenberg, Klein & Lee

(**) **Term:** **14 Years**

(57) **CLAIM**

The ornamental design for a mirror, as shown and described.

(21) **Appl. No.:** **29/192,133**

(22) **Filed:** **Oct. 21, 2003**

DESCRIPTION

(51) **LOC (7) Cl.** **06-07**

FIG. 1 is a perspective view of a mirror showing my new design;

(52) **U.S. Cl.** **D6/300**

FIG. 2 is a front elevational view thereof;

(58) **Field of Search** D6/300–303, 308–314,

FIG. 3 is a rear elevational view thereof;

D6/444; 40/700, 711, 714–716, 721, 722,

FIG. 4 is a left elevational view thereof; and

735, 737, 745, 750, 765, 790, 798; 359/838,

FIG. 5 is a right elevational view thereof;

871, 882, 872

FIG. 6 is a top plan view thereof; and,

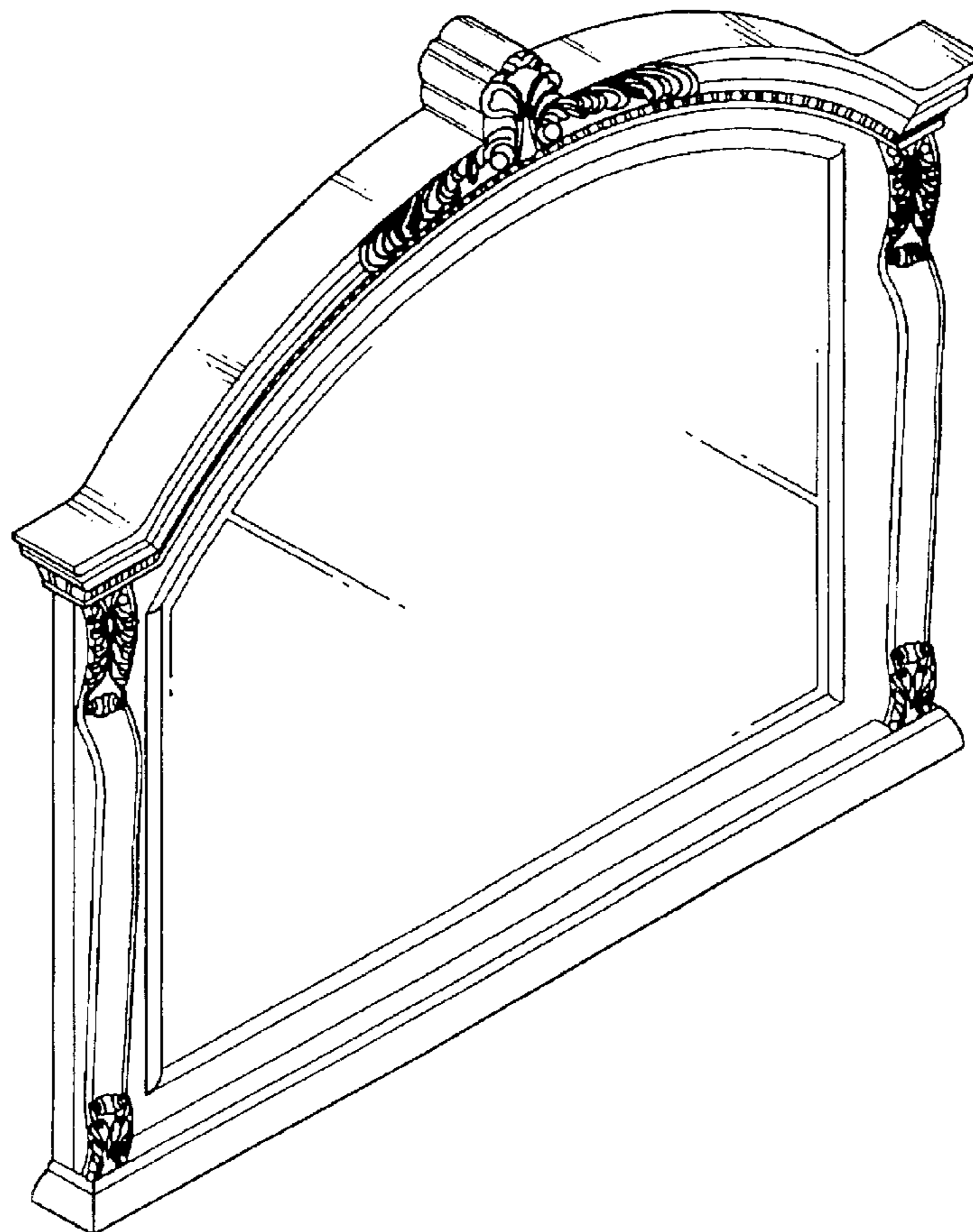
(56) **References Cited**

FIG. 7 is a bottom plan view thereof.

U.S. PATENT DOCUMENTS

D409,844 S * 5/1999 Cain D6/300

1 Claim, 5 Drawing Sheets



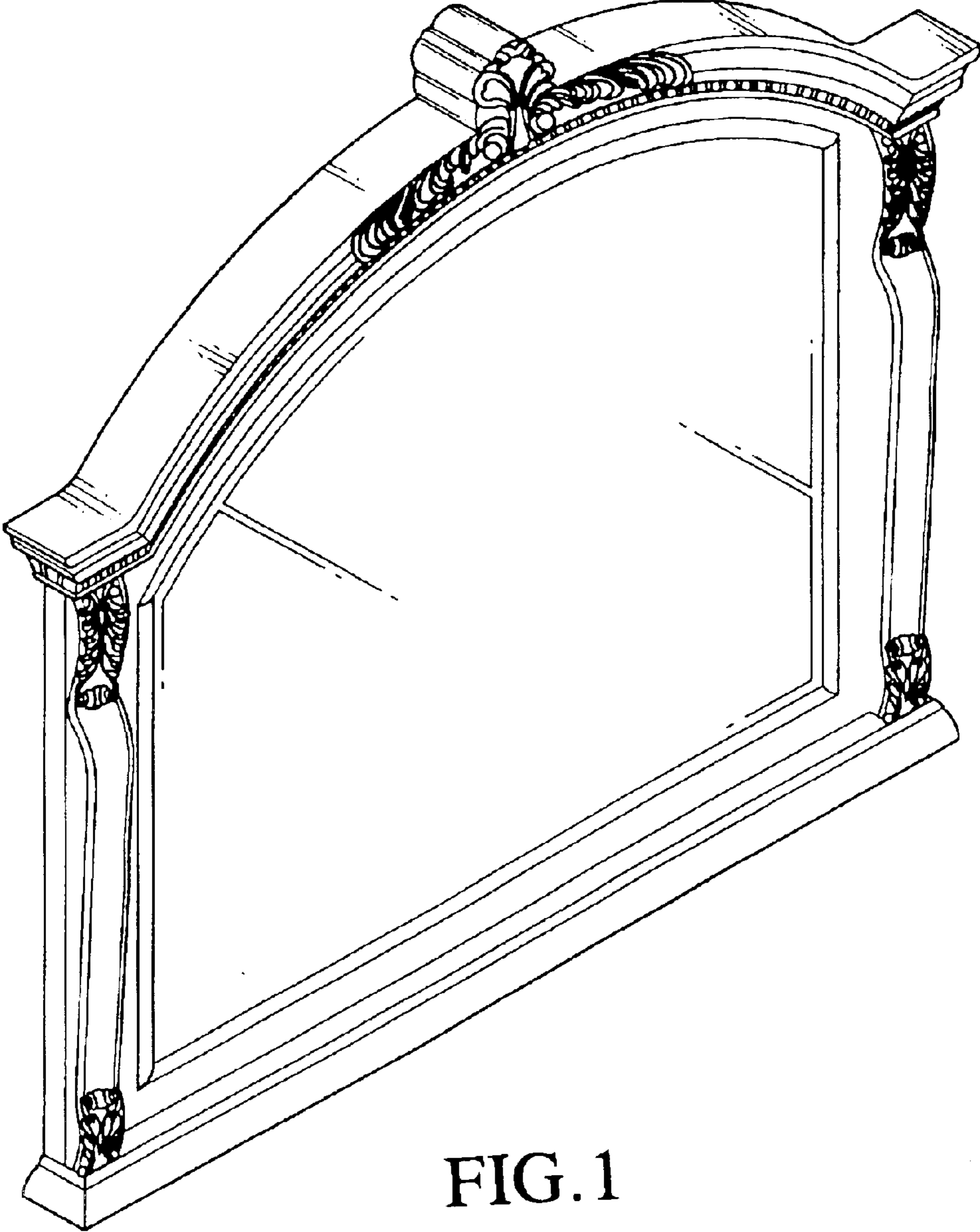


FIG. 1

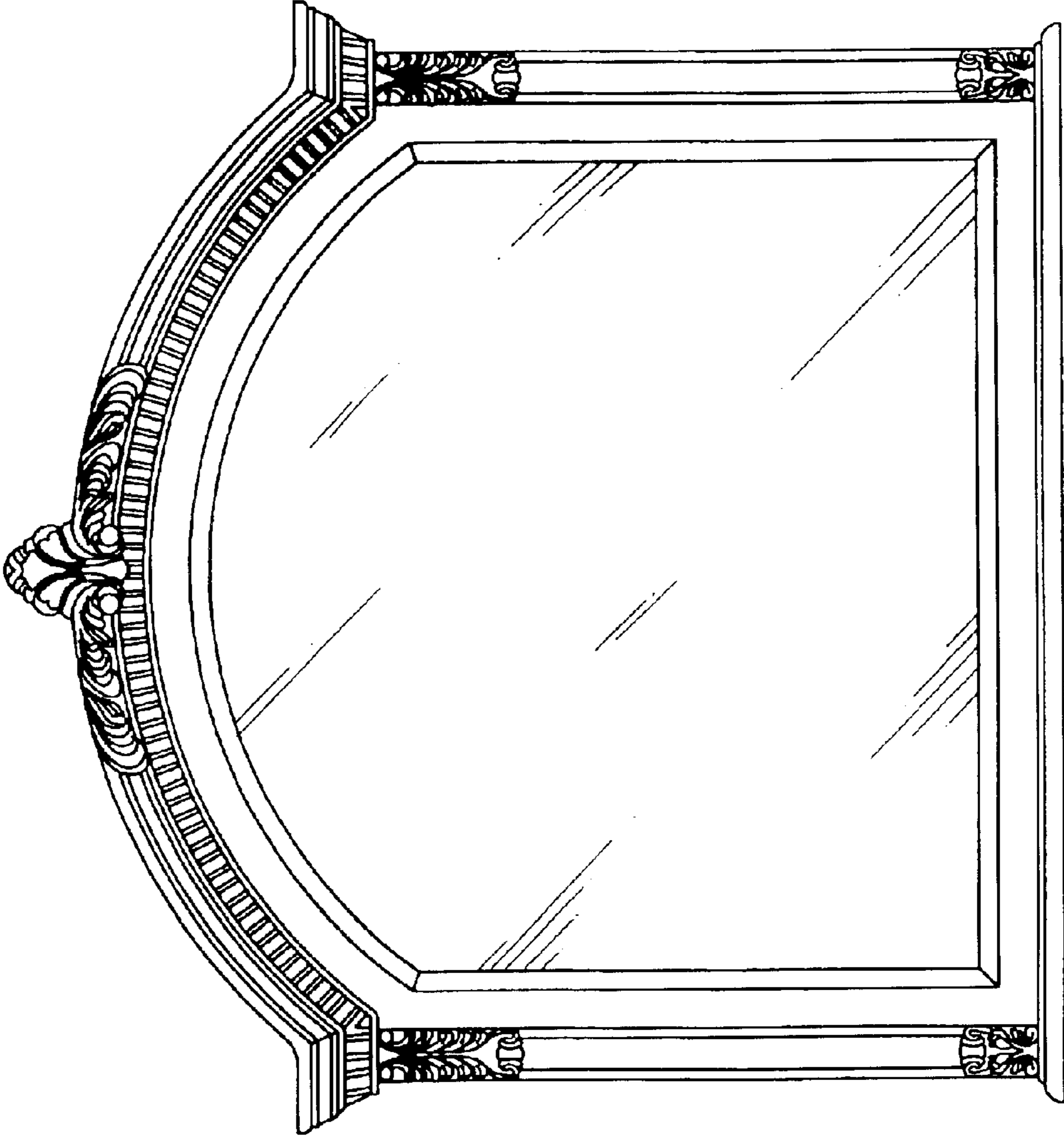


FIG. 2

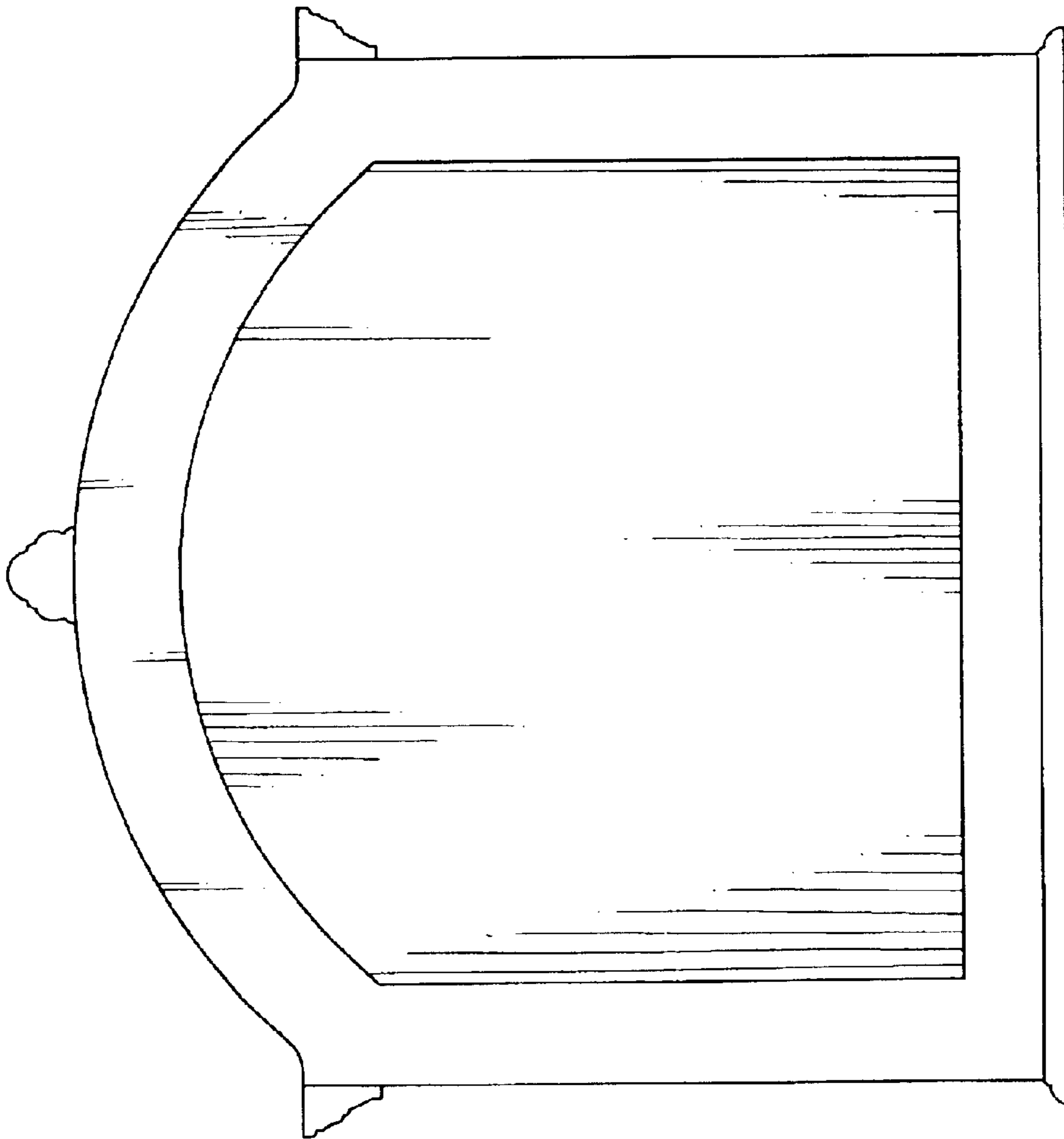


FIG. 3



FIG. 5



FIG. 4



FIG. 6

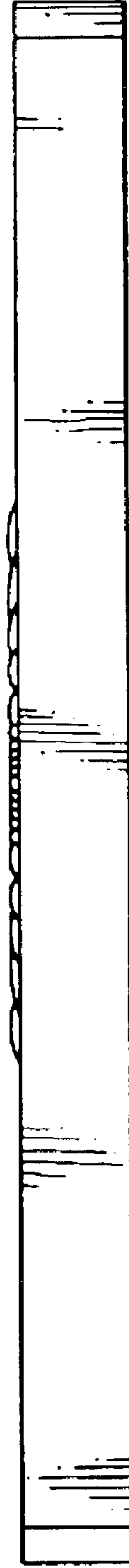


FIG. 7