



US00D498591S

(12) **United States Design Patent** (10) **Patent No.:** **US D498,591 S**
Peng (45) **Date of Patent:** **** Nov. 23, 2004**

- (54) **BASKET RIM WEAVE**
- (75) Inventor: **Qiu li Peng**, Huixiang Town (CN)
- (73) Assignee: **Basketville, Inc.**, Putney, VT (US)
- (**) Term: **14 Years**
- (21) Appl. No.: **29/168,503**
- (22) Filed: **Oct. 3, 2002**
- (51) **LOC (7) Cl.** **03-01**
- (52) **U.S. Cl.** **D3/318**
- (58) **Field of Search** D3/304, 305, 306, D3/307, 308, 309, 310, 311, 312, 313, 314, 318, 321, 322, 323; 217/122, 123, 124, 125; 220/485, 491, 495, 505

(56) **References Cited**

U.S. PATENT DOCUMENTS

45,571 A	*	12/1864	Ainsworth	217/122
882,935 A	*	3/1908	Engel	220/485
1,176,052 A	*	3/1916	Hargarty	217/122
D66,768 S	*	3/1925	Gilbanks	D3/306
1,617,055 A	*	2/1927	Jones	217/122
1,720,126 A	*	7/1929	Kanelos	217/122

* cited by examiner

Primary Examiner—Ian Simmons
Assistant Examiner—Monica A. Weingart

(74) *Attorney, Agent, or Firm*—Woodard, Emhardt, Moriarty, McNett & Henry LLP

(57) **CLAIM**

The ornamental design for a basket rim weave, as shown and described.

DESCRIPTION

FIG. 1 is a perspective view of a basket rim weave showing my new design;

FIG. 2 is a front elevational view of the basket rim weave of FIG. 1. The rear and side elevational views are identical to the front elevational view.

FIG. 3 is a top plan view of the basket rim weave of FIG. 1.

FIG. 4 is a bottom plan view of the basket rim weave of FIG. 1.

FIG. 5 is a perspective view of a second embodiment of the basket rim weave.

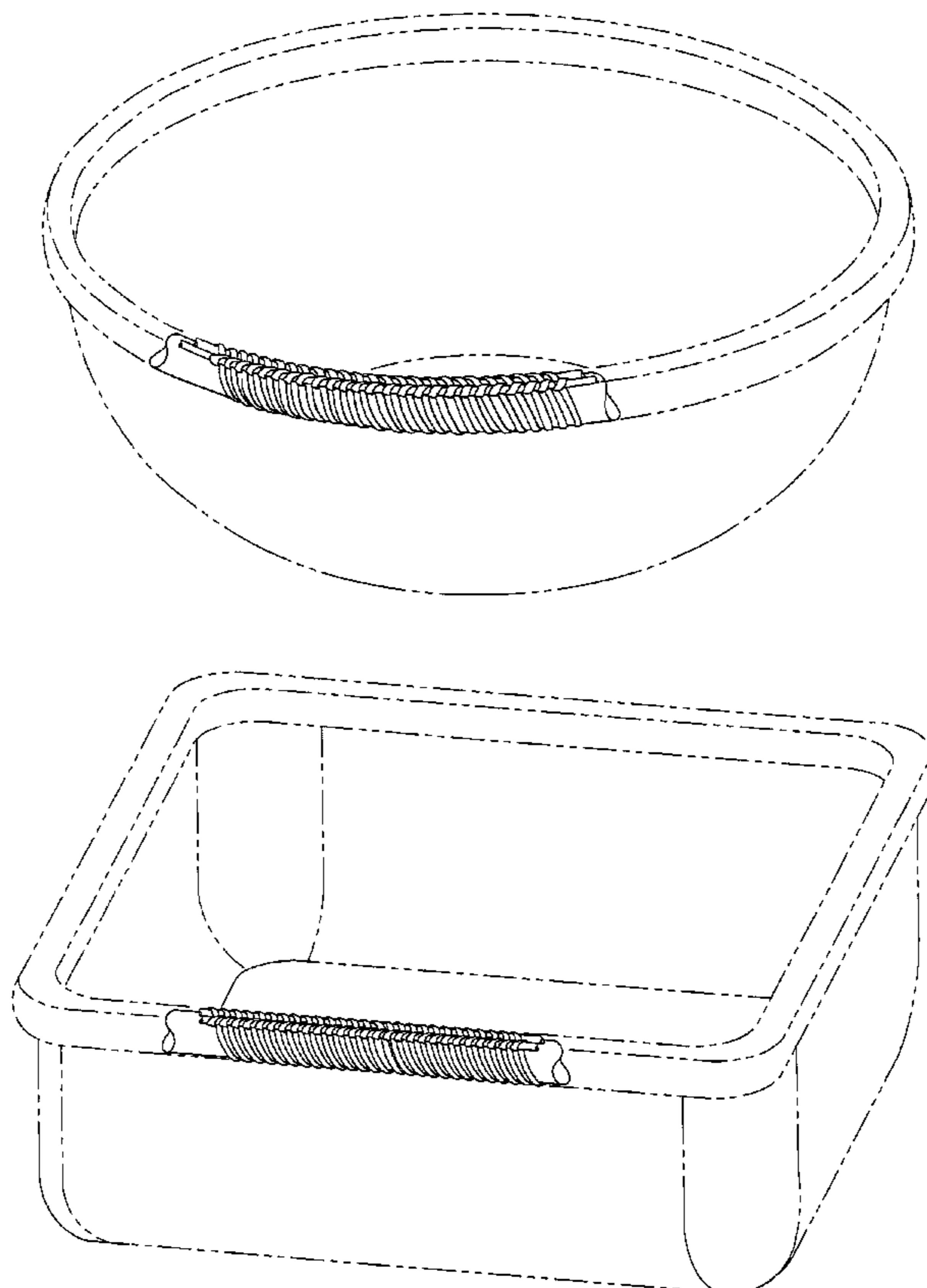
FIG. 6 is a front elevational view of the basket rim weave of FIG. 5. The rear and side elevational views are identical to the front elevational view.

FIG. 7 is a top plan view of the basket rim weave of FIG. 5; and,

FIG. 8 is a bottom plan view of the basket rim weave of FIG. 5.

The broken line showing of a round basket, in FIGS. 1–4, and a rectangular basket, in FIGS. 5–8, is for illustrative purposes only and forms no part of the claimed design.

1 Claim, 8 Drawing Sheets



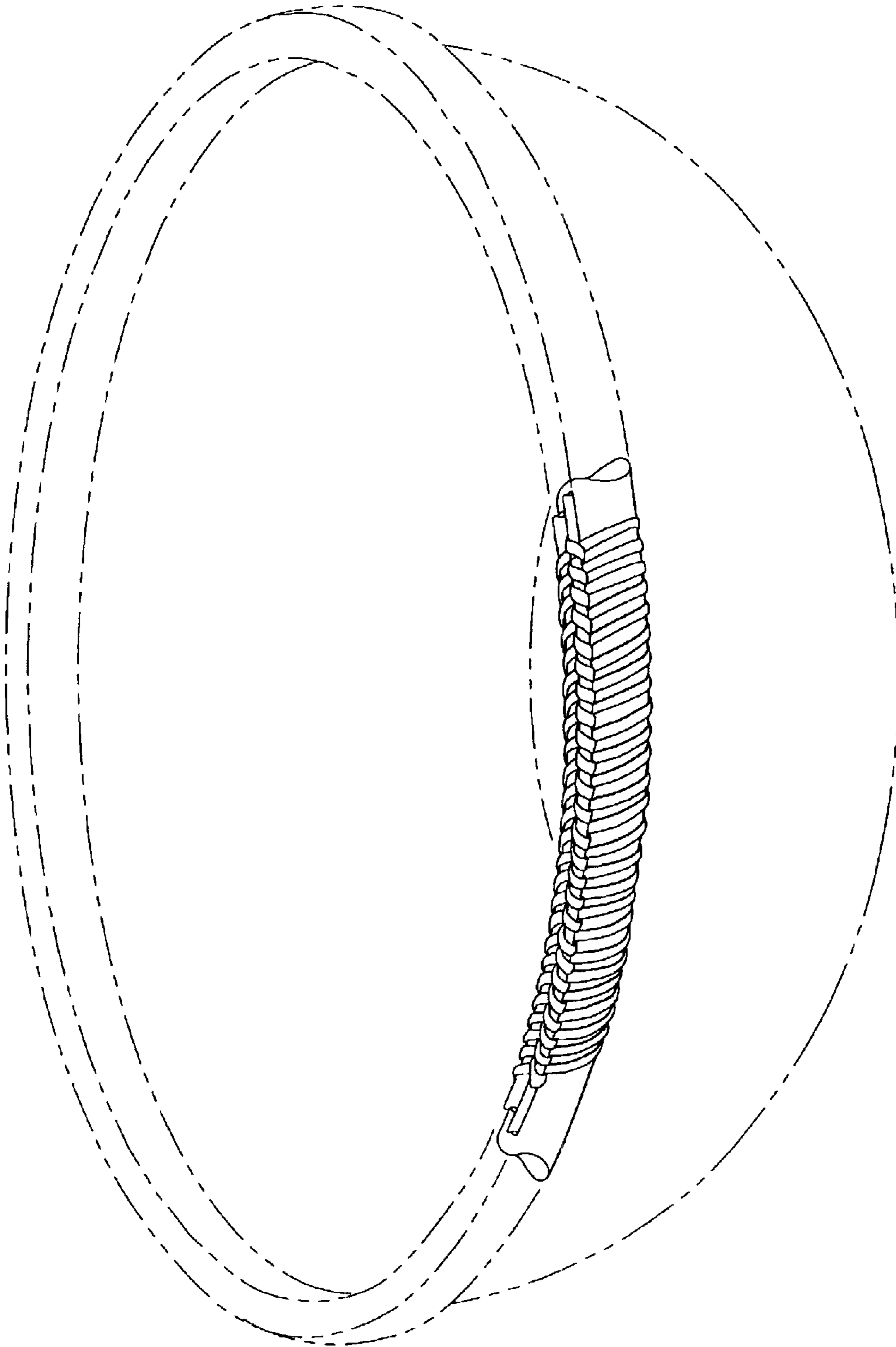


Fig. 1

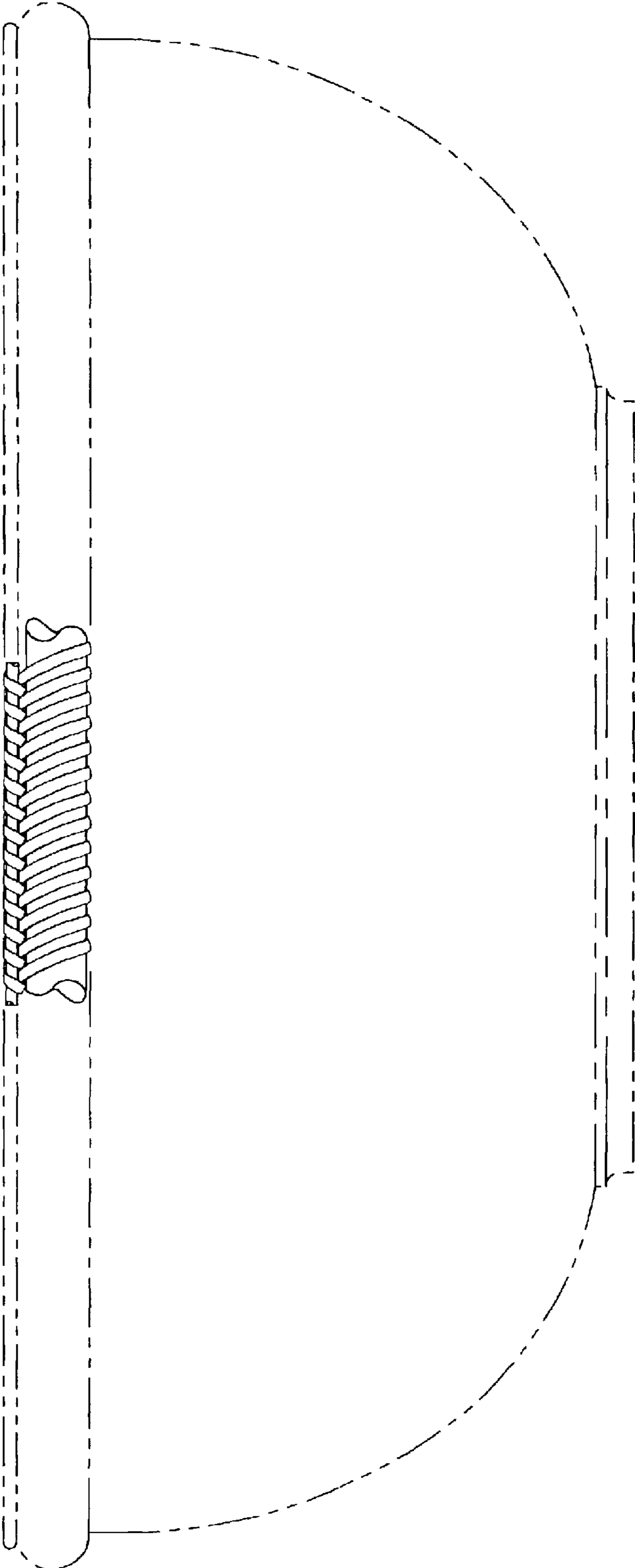


Fig. 2

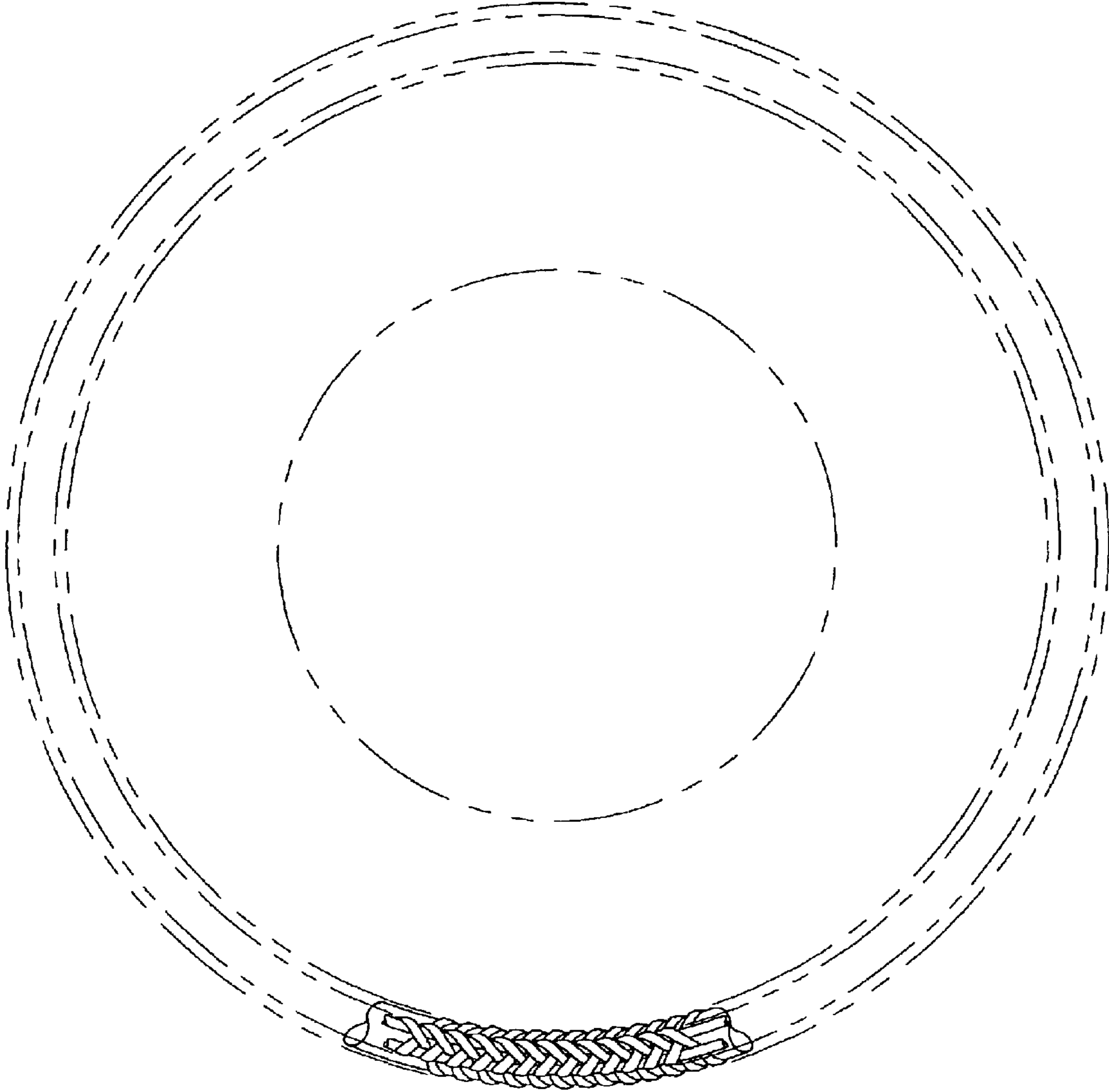


Fig. 3

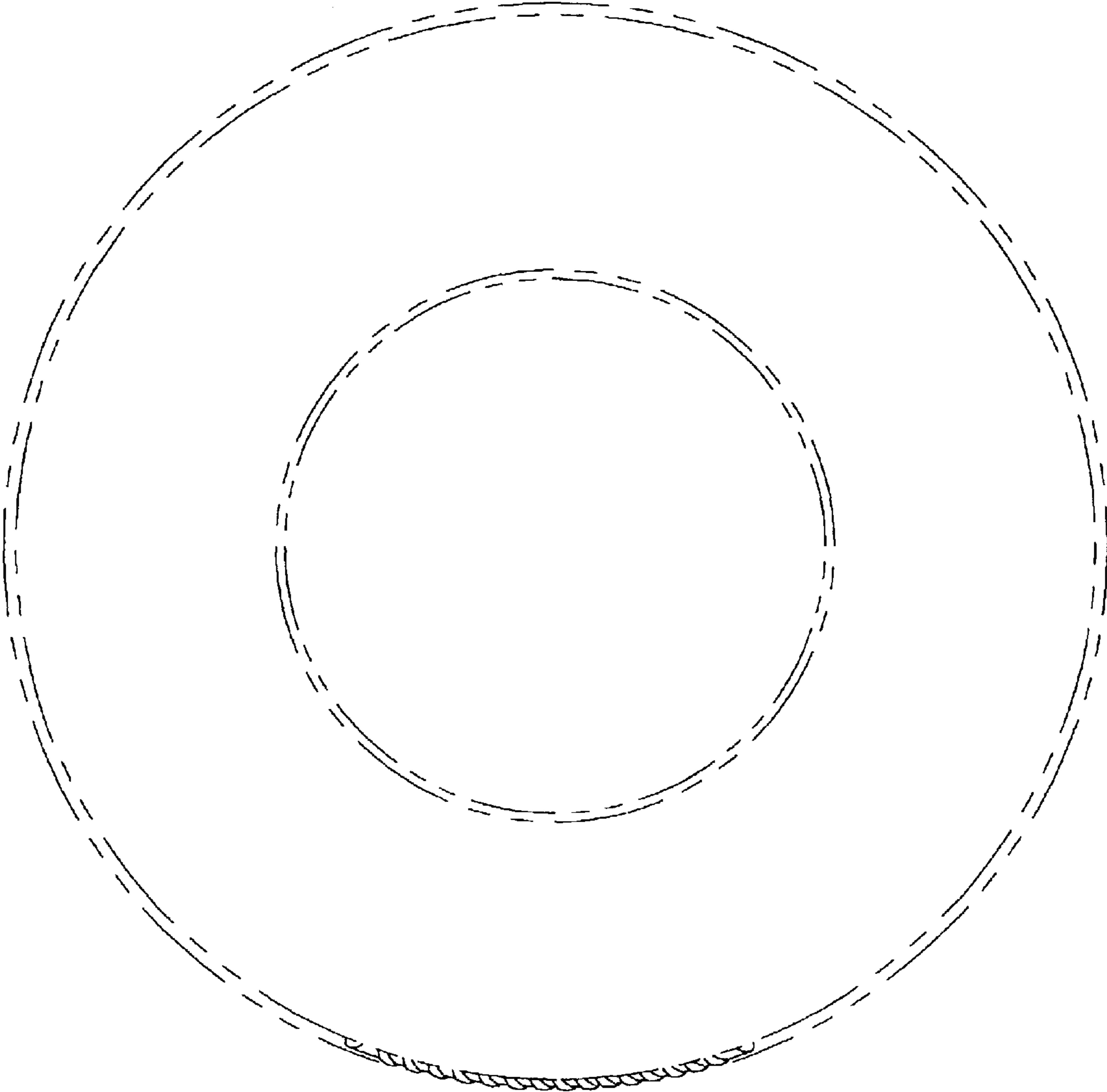


Fig. 4

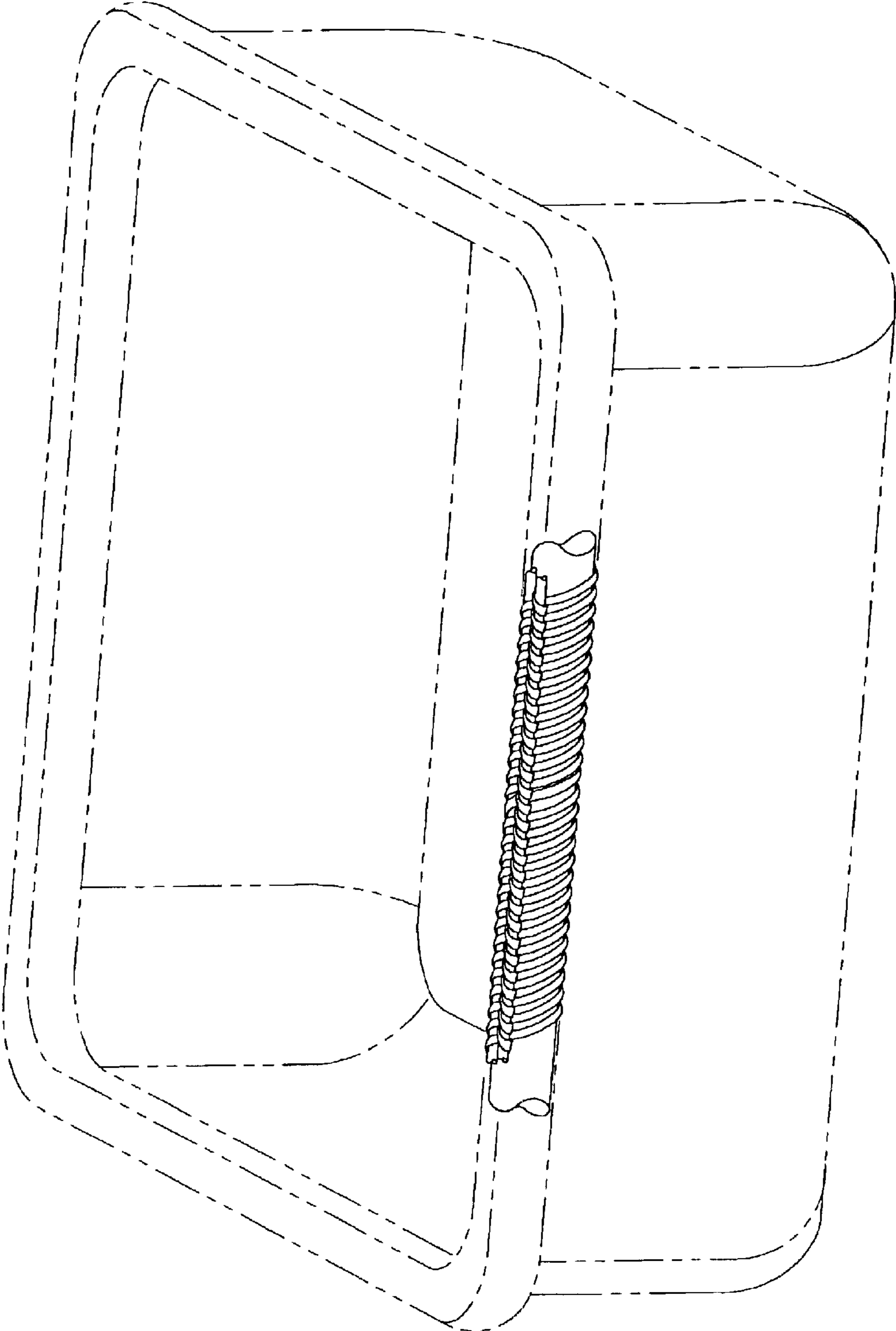


Fig. 5

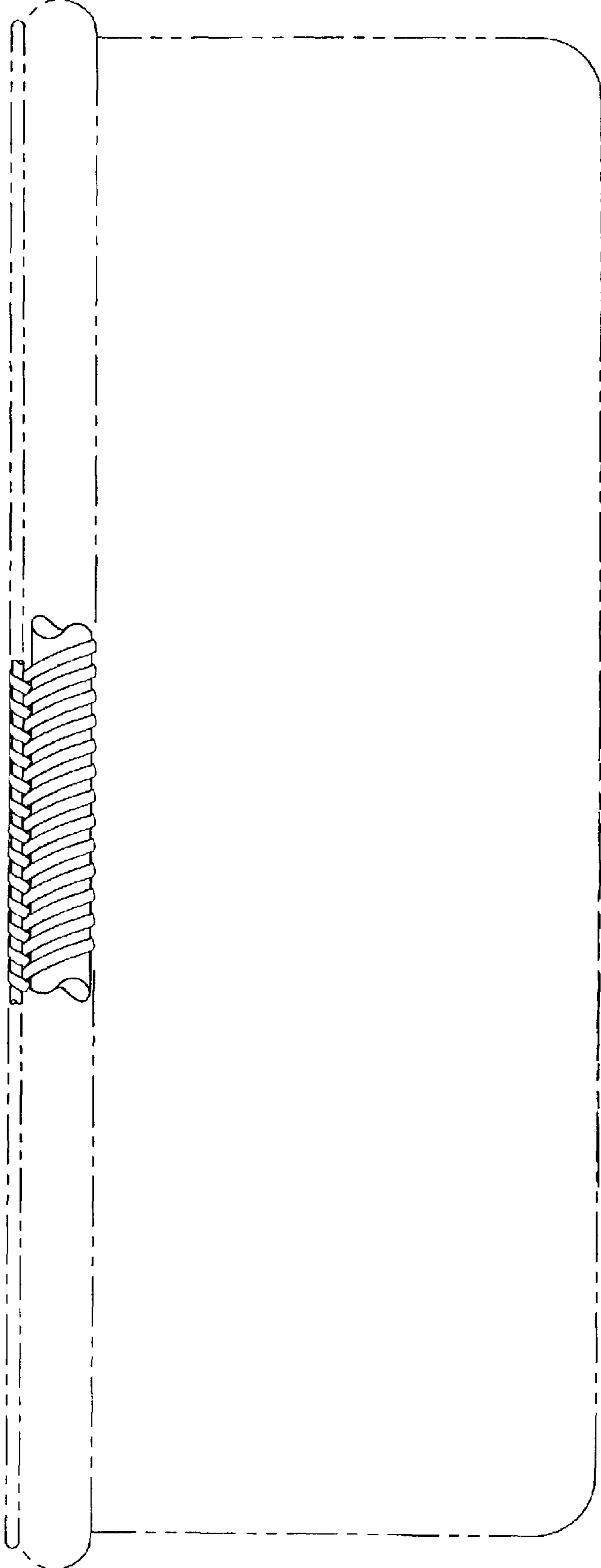


Fig. 6

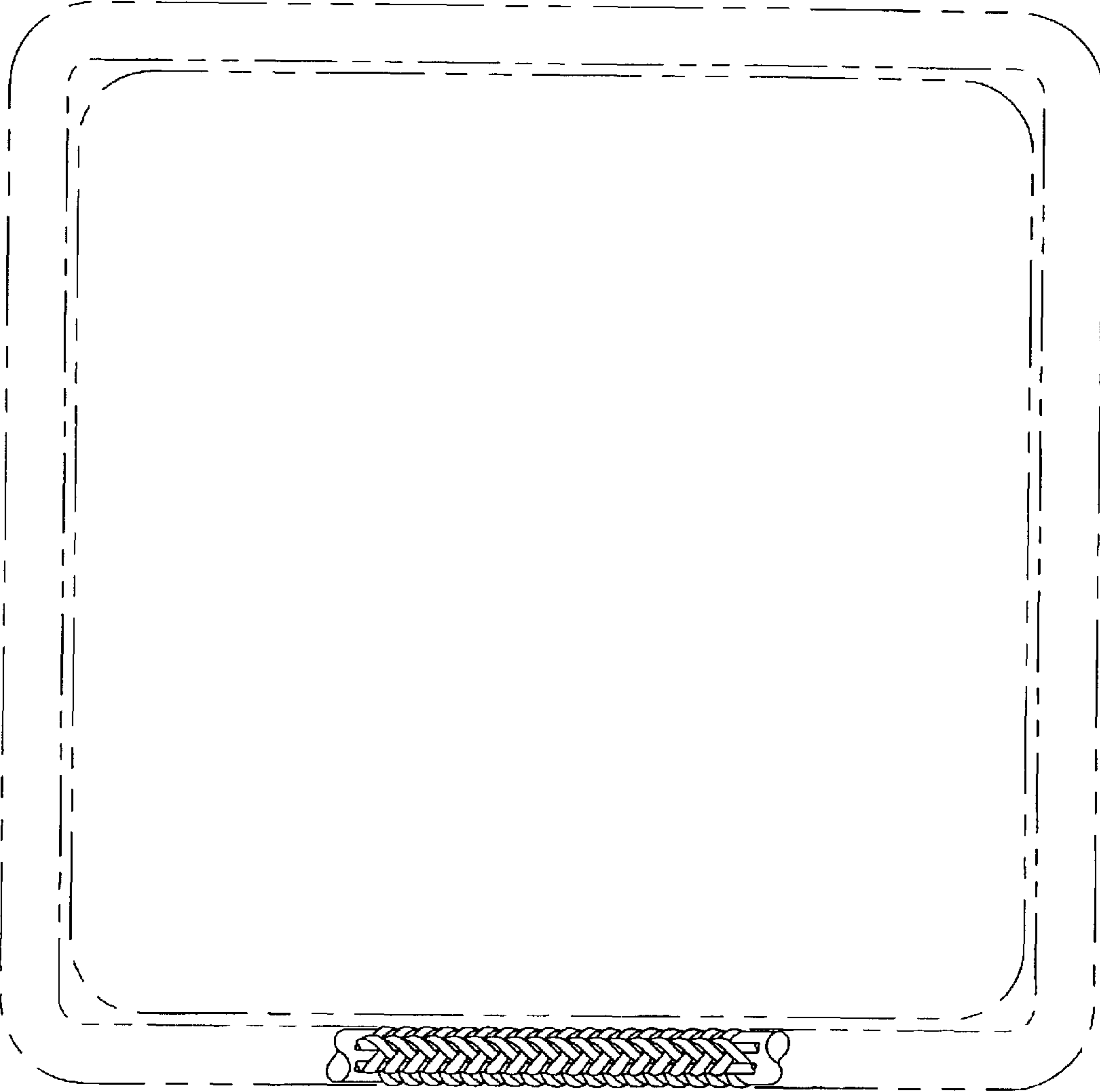


Fig. 7

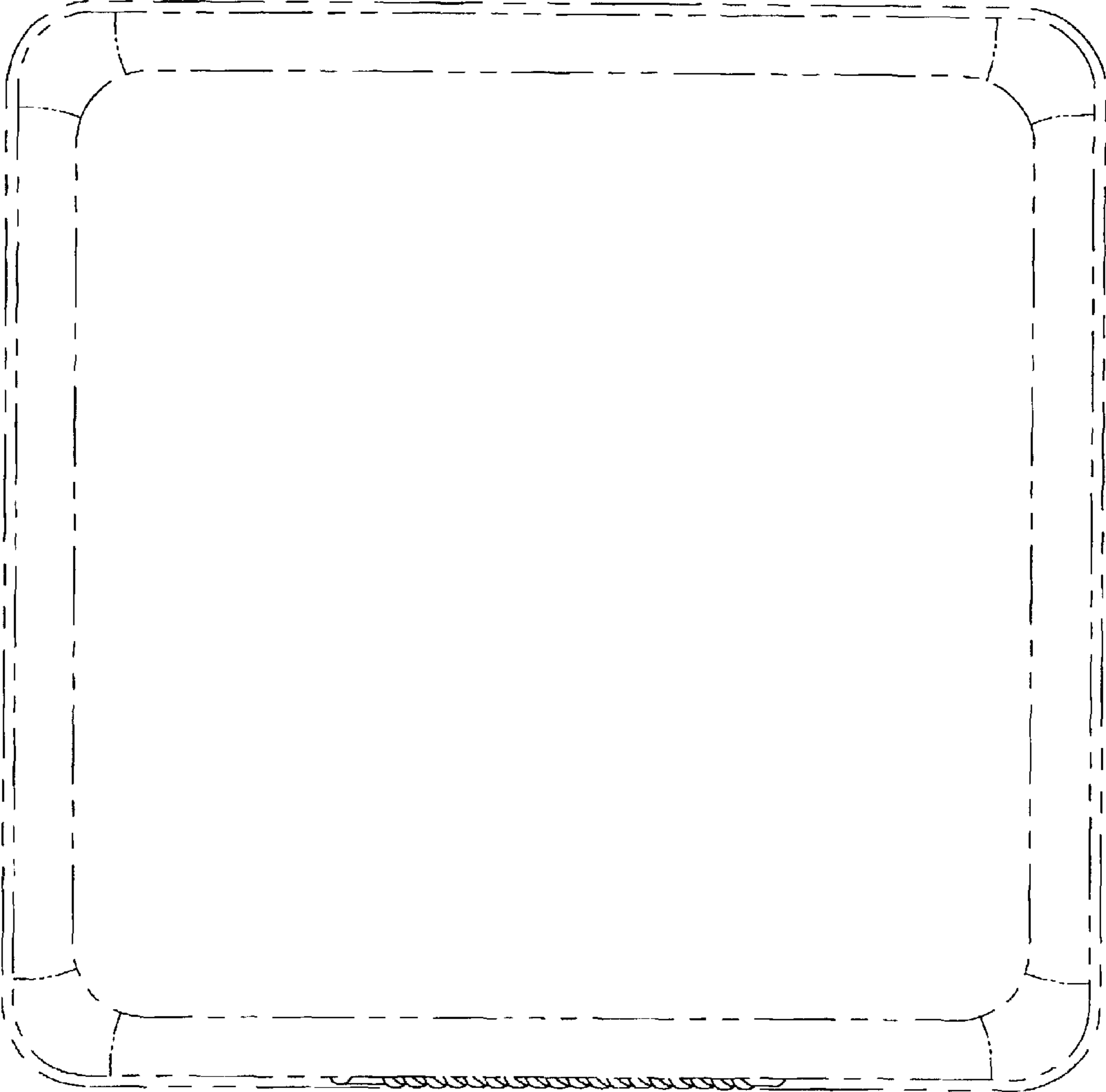


Fig. 8