

US00D498590S

(12) **United States Design Patent**  
**Borovsky**

(10) **Patent No.:** **US D498,590 S**

(45) **Date of Patent:** **\*\* Nov. 23, 2004**

(54) **CONTACT LENS CLEANER CASE**

(76) **Inventor:** **Simcha Borovsky**, 17-25 Hunter Pl.,  
Fair Lawn, NJ (US) 07410

(\*\*) **Term:** **14 Years**

(21) **Appl. No.:** **29/190,292**

(22) **Filed:** **Sep. 17, 2003**

(51) **LOC (7) Cl.** ..... **03-01**

(52) **U.S. Cl.** ..... **D3/264; D3/263**

(58) **Field of Search** ..... **D3/219, 263, 264;**  
**D9/341; D24/218; 206/5, 5.1**

(56) **References Cited**

**U.S. PATENT DOCUMENTS**

2,948,387	A	*	9/1960	Fishman	
D208,166	S	*	7/1967	Hueber et al.	
D285,744	S	*	9/1986	Vinot	D3/264
D289,923	S	*	5/1987	Hoogesteger	D24/218
D358,477	S	*	5/1995	Meo	D3/264
5,415,275	A	*	5/1995	Girimont	206/5.1
5,433,314	A	*	7/1995	Lin	206/5.1
D368,368	S	*	4/1996	Merritt	D3/264
D471,356	S	*	3/2003	Eaton	D3/264

\* cited by examiner

*Primary Examiner*—Celia A. Murphy

(74) *Attorney, Agent, or Firm*—Richard M. Goldberg

(57) **CLAIM**

The ornamental design for a contact lens cleaner case, as shown and described.

**DESCRIPTION**

FIG. 1 is a perspective view of the contact lens cleaner case of my design, viewed from the front and top;

FIG. 2 is a top plan view thereof;

FIG. 3 is a bottom plan view thereof, and the broken lines in FIG. 3 are included for the purpose of illustrating a portion of the contact lens cleaner case that forms no part of the claimed design;

FIG. 4 is a left side elevational view thereof;

FIG. 5 is a right side elevational view thereof;

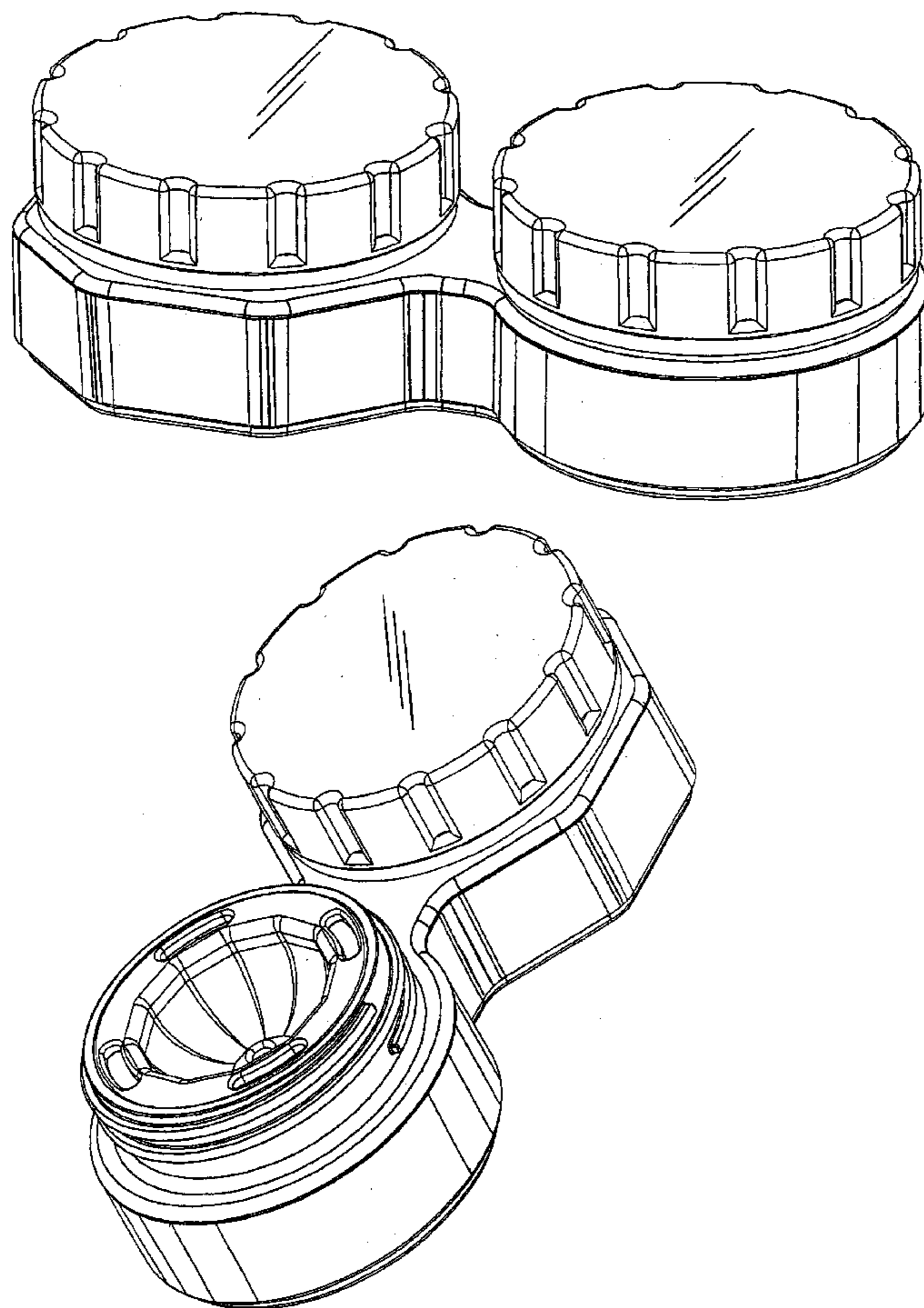
FIG. 6 is a front elevational view thereof;

FIG. 7 is a perspective view thereof, viewed from the rear and top, with one cap removed;

FIG. 8 is a top plan view thereof, with one cap removed; and,

FIG. 9 is a top plan view thereof, with both caps removed.

**1 Claim, 9 Drawing Sheets**



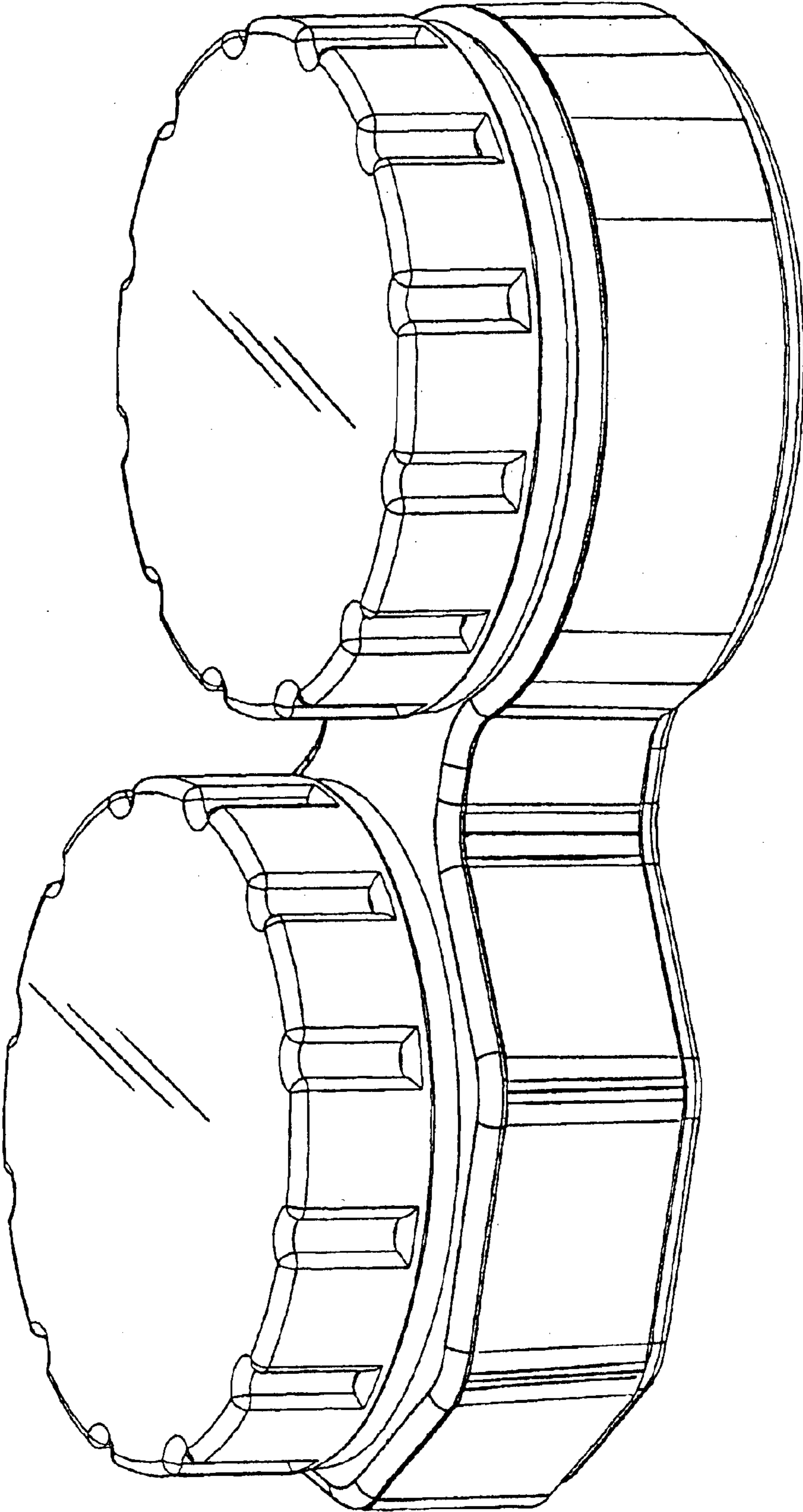


FIG. 1

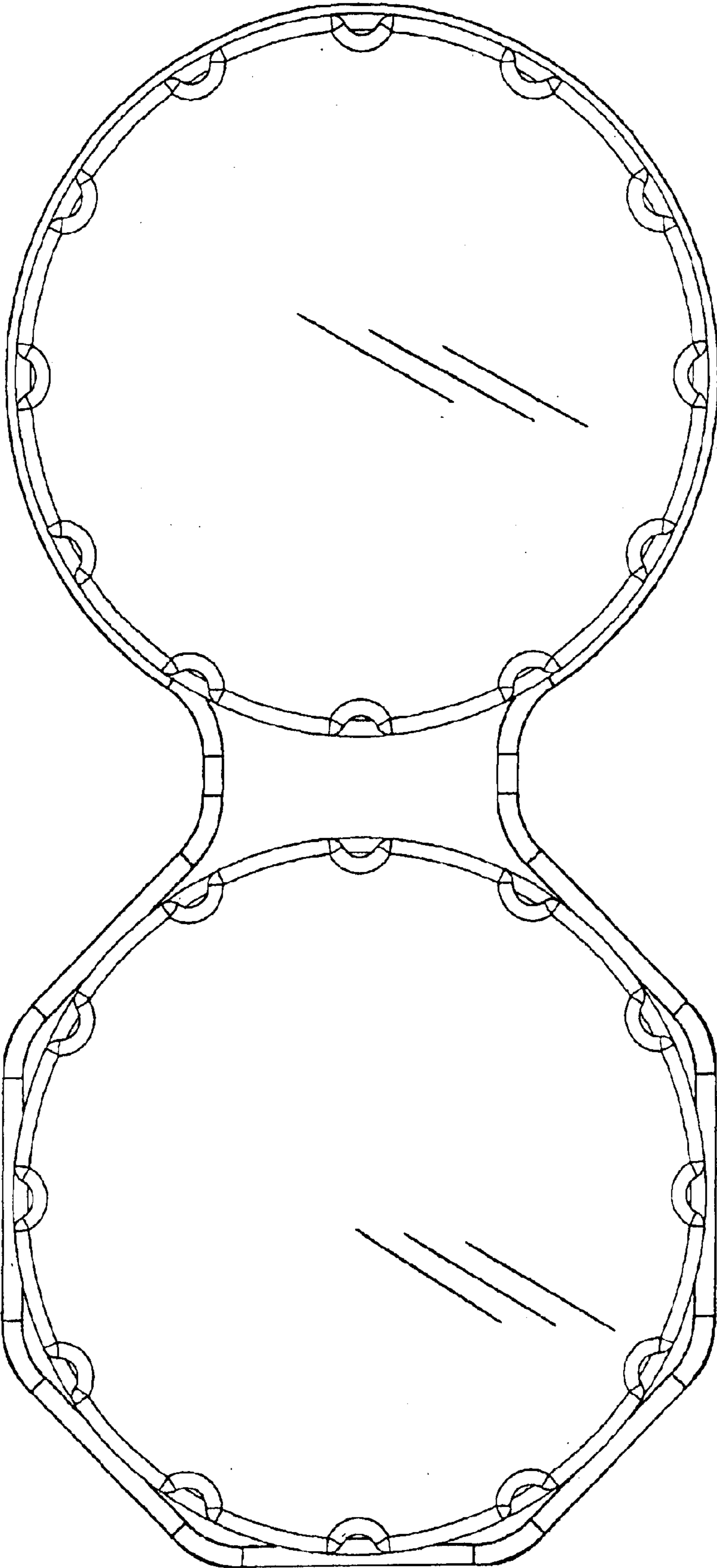


FIG. 2

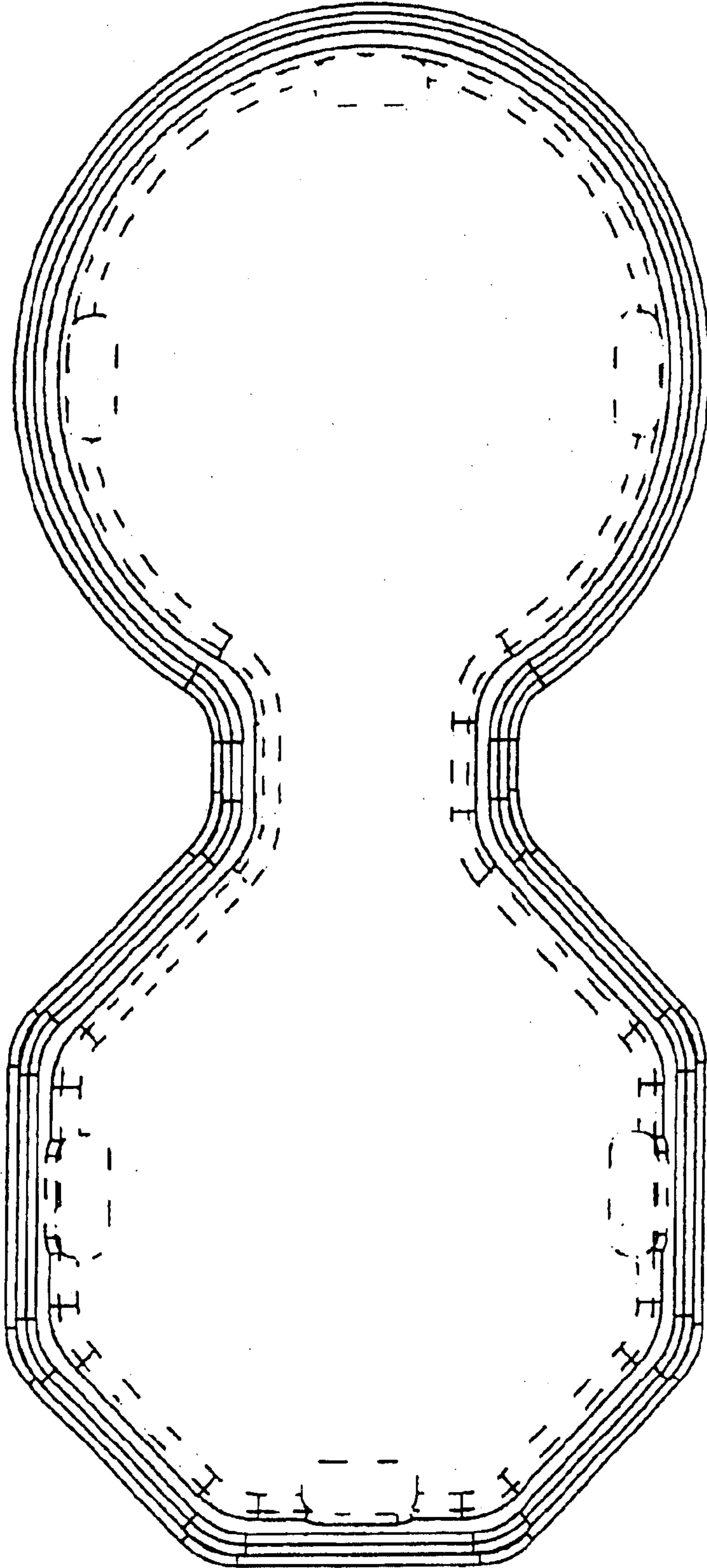


FIG. 3

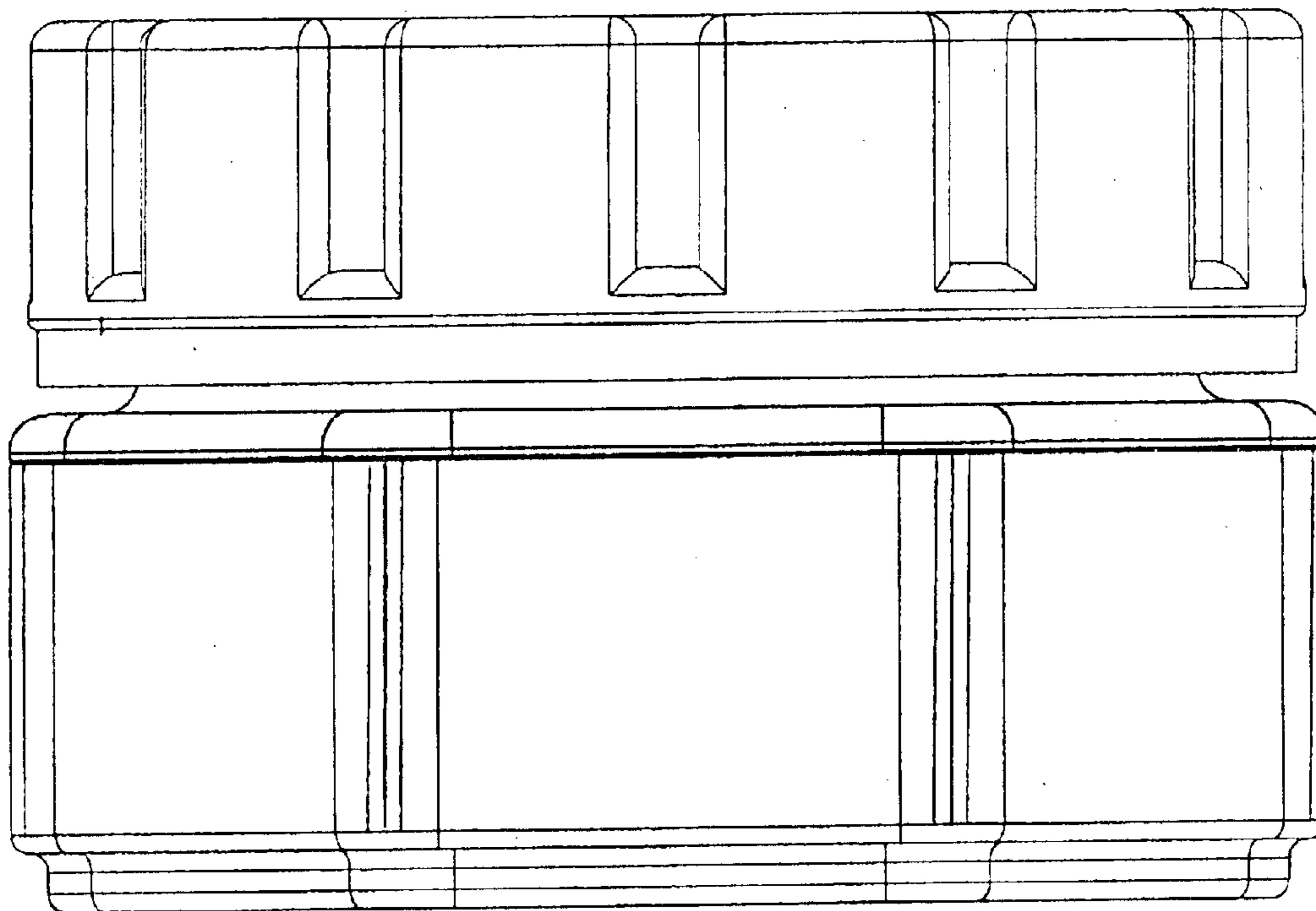


FIG. 4

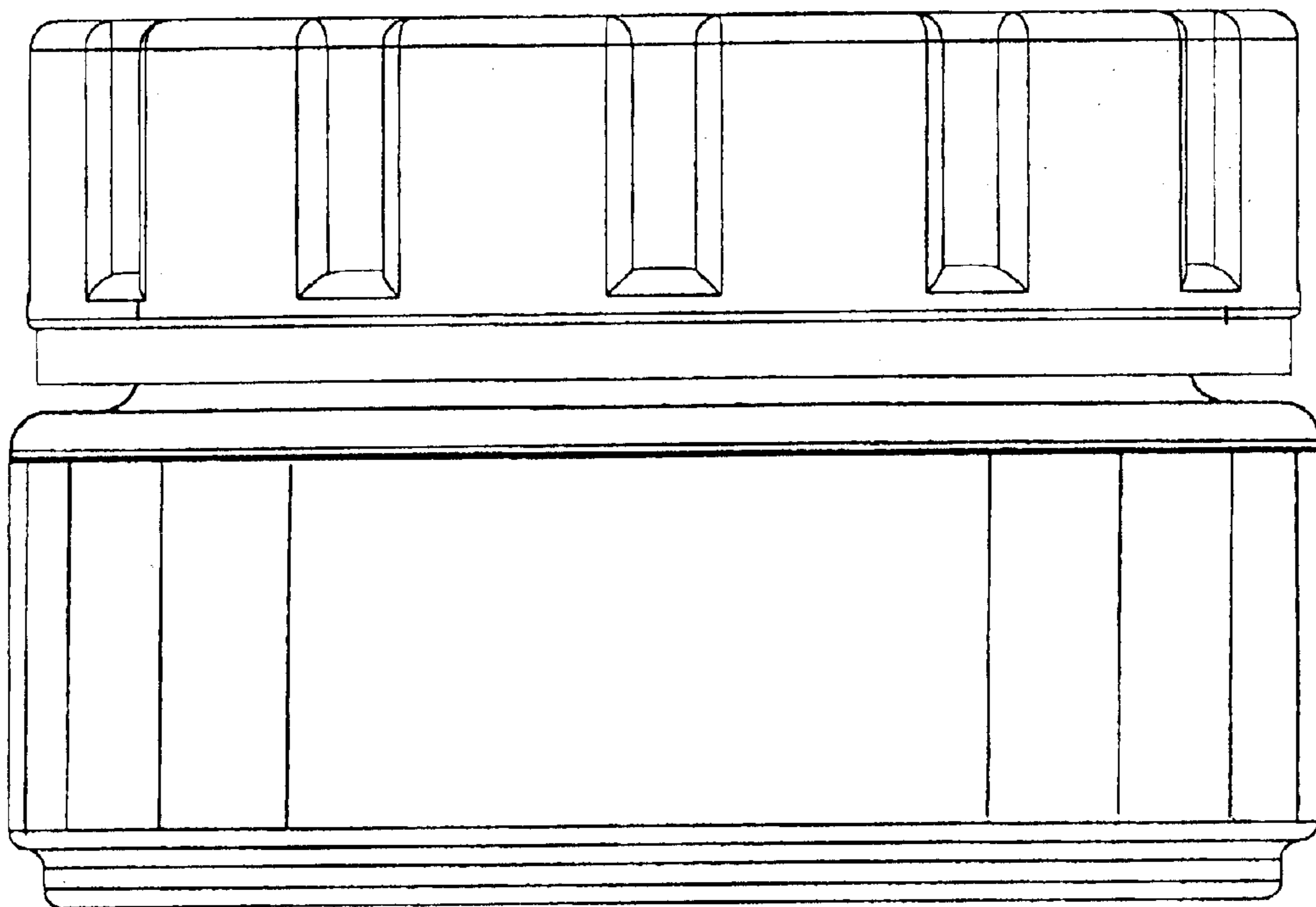


FIG. 5

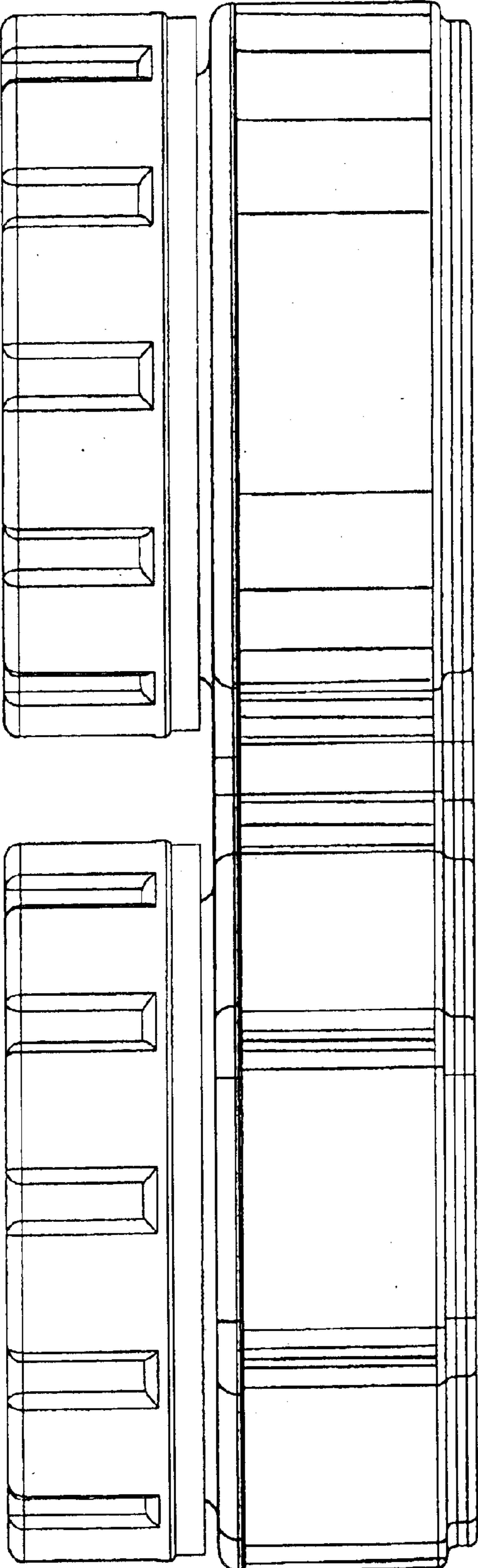


FIG. 6

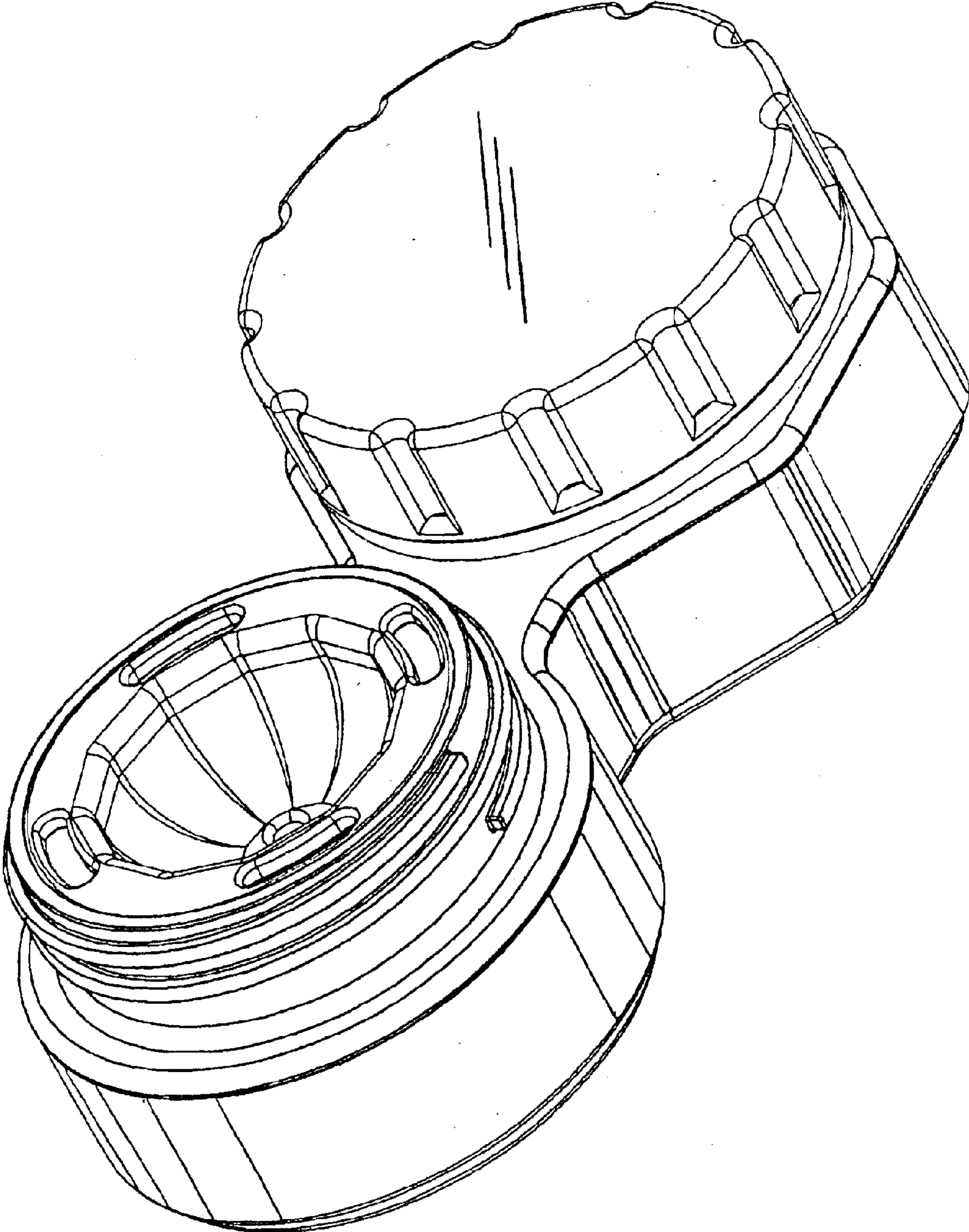


FIG. 7



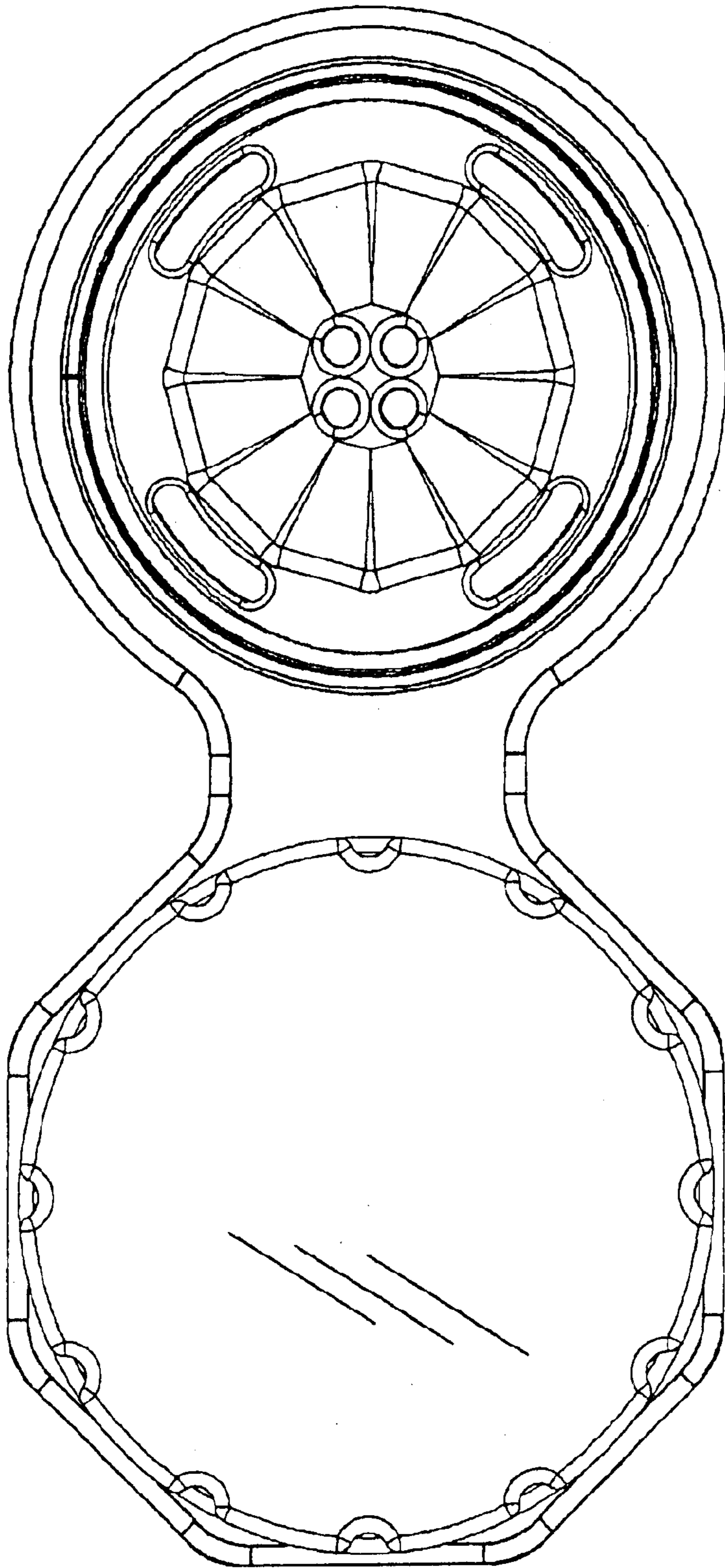


FIG. 8

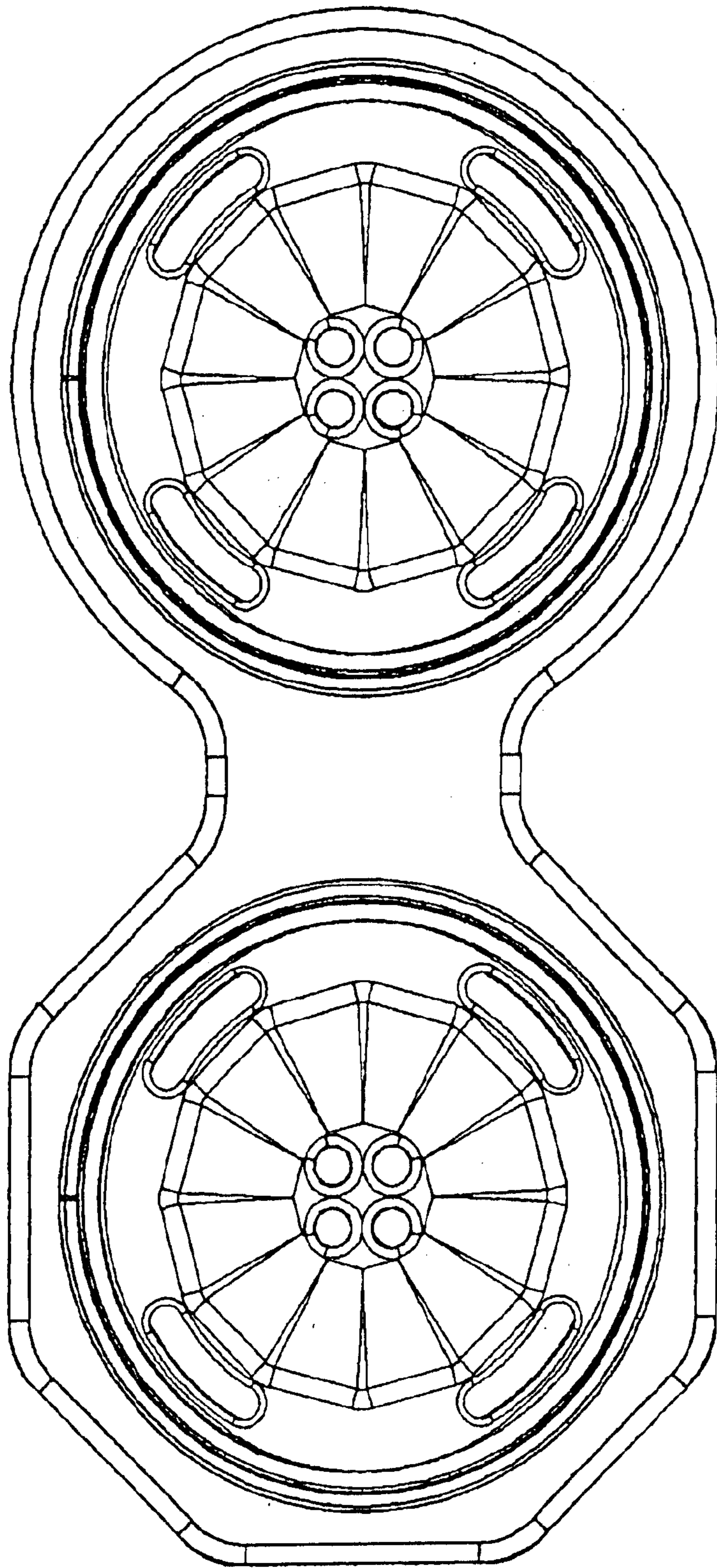


FIG. 9