

US00D498568S

(12) **United States Design Patent**
Colman et al.

(10) **Patent No.:** **US D498,568 S**

(45) **Date of Patent:** **** Nov. 16, 2004**

(54) **UNIVERSAL JOINT**

(75) Inventors: **Ben Colman**, Sheffield (GB); **Paulus Antonius Augustinus Höfte**, Sint Martens Latem (BE); **Johannes Lambertus Maria Mensink**, Tervuren (BE); **Leonard Joseph Keller, Jr.**, Cincinnati, OH (US)

(73) Assignee: **The Procter & Gamble Company**, Cincinnati, OH (US)

(**) Term: **14 Years**

(21) Appl. No.: **29/177,519**

(22) Filed: **Mar. 11, 2003**

(51) **LOC (7) Cl.** **15-05**

(52) **U.S. Cl.** **D32/25**

(58) **Field of Search** D32/1, 15, 19, D32/25, 34; D8/61-62; D4/102; 15/250.46, 244.2, 229.6, 185, 104.14, 229.7, 229.8, 229.9; 403/150, 157

(56) **References Cited**

U.S. PATENT DOCUMENTS

4,034,946 A * 7/1977 Zimmer, Jr. 403/157

5,842,808 A * 12/1998 Potter et al. 403/157
D411,668 S * 6/1999 Settlemayer et al. D32/25
6,415,470 B1 * 7/2002 Ramrattan 15/244.2
D465,394 S * 11/2002 Junkers D8/61
6,675,546 B2 * 1/2004 Coles 403/157

* cited by examiner

Primary Examiner—Robert A. Delehanty

(74) *Attorney, Agent, or Firm*—Thibault Fayette; Kim W. Zerby; Steven W. Miller

(57) **CLAIM**

The ornamental design for a universal joint, as shown and described.

DESCRIPTION

FIG. 1 is a perspective view of the universal joint, embodying the new design;

FIG. 2 is a front view thereof, the opposite side is a mirror image thereto;

FIG. 3 is a left view thereof;

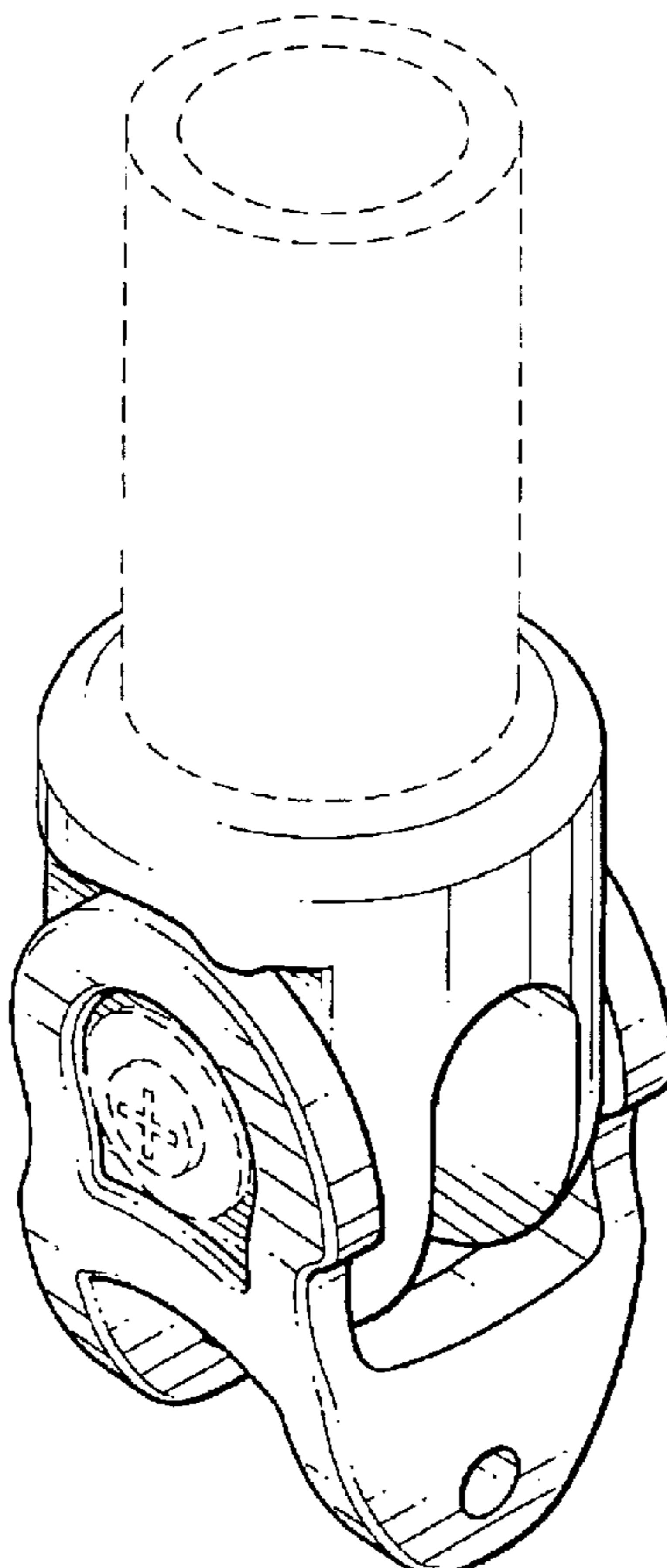
FIG. 4 is a right view thereof;

FIG. 5 is a top view thereof; and,

FIG. 6 is a bottom view thereof;

The broken lines shown in the drawings are for illustrative purposes only and form no part of the claimed design.

1 Claim, 3 Drawing Sheets



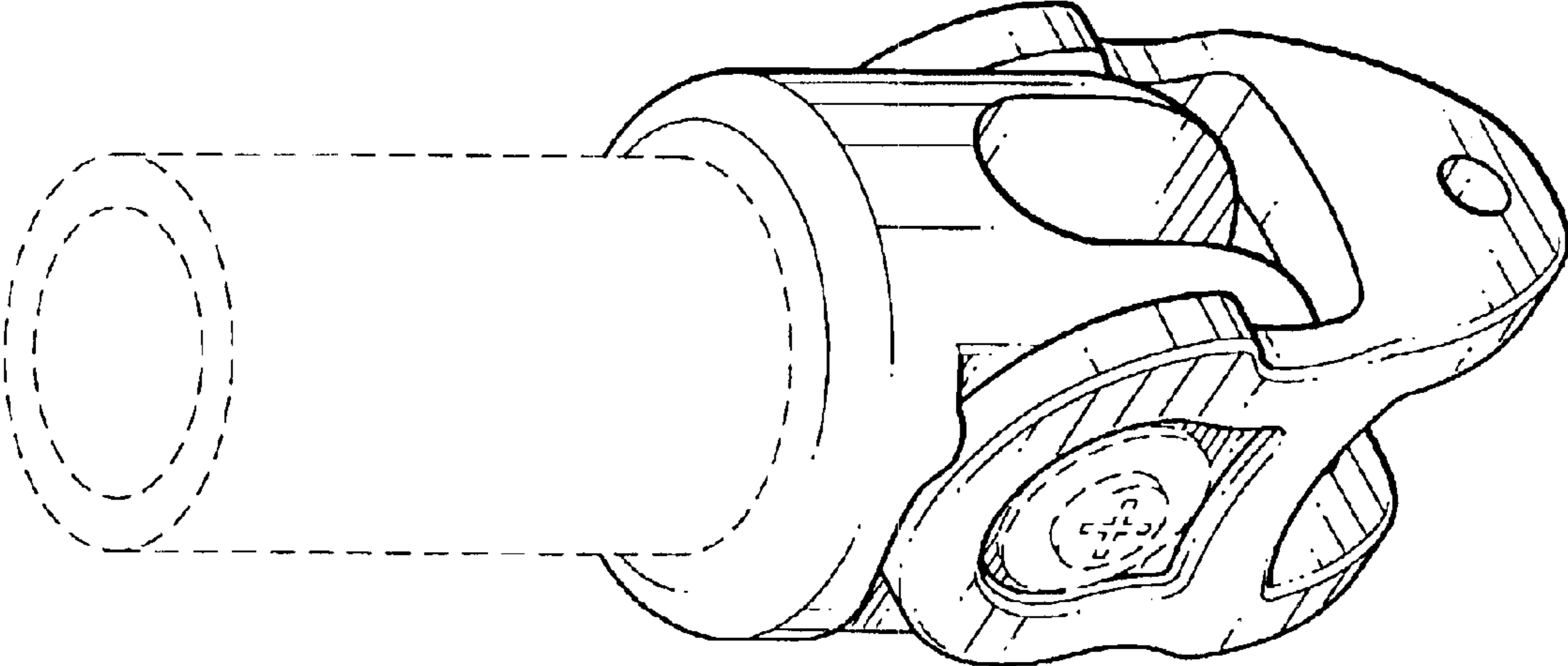


FIG. 1

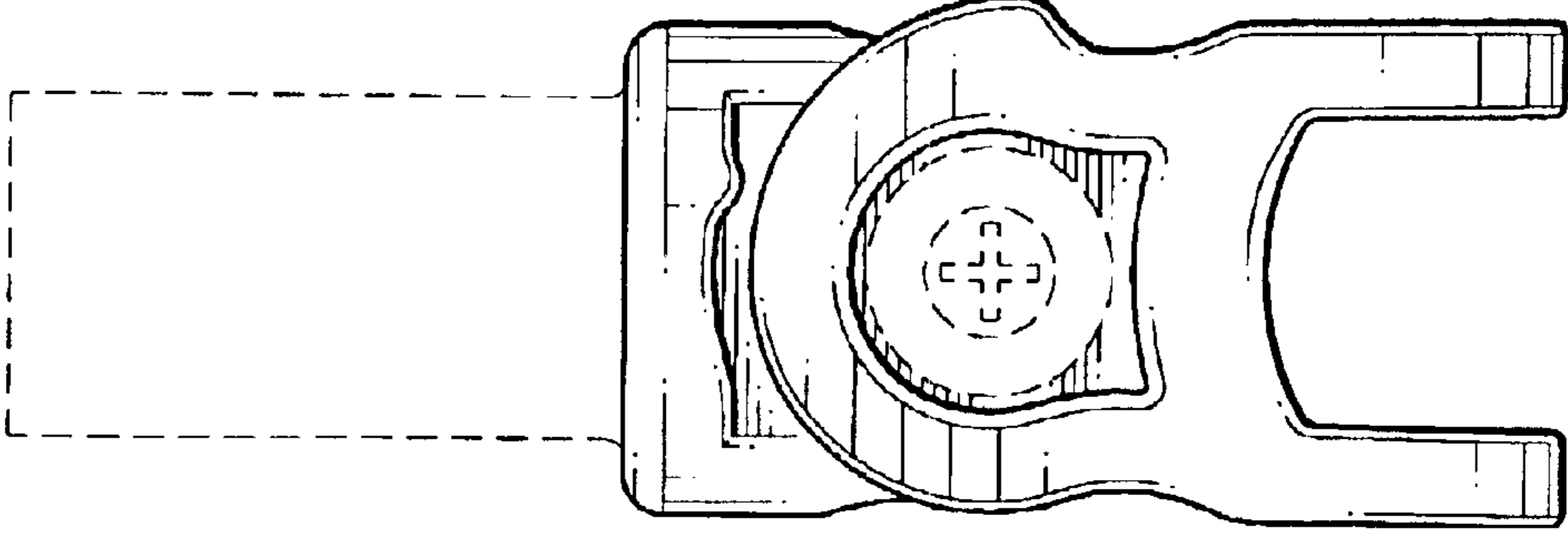


FIG. 2

FIG. 4

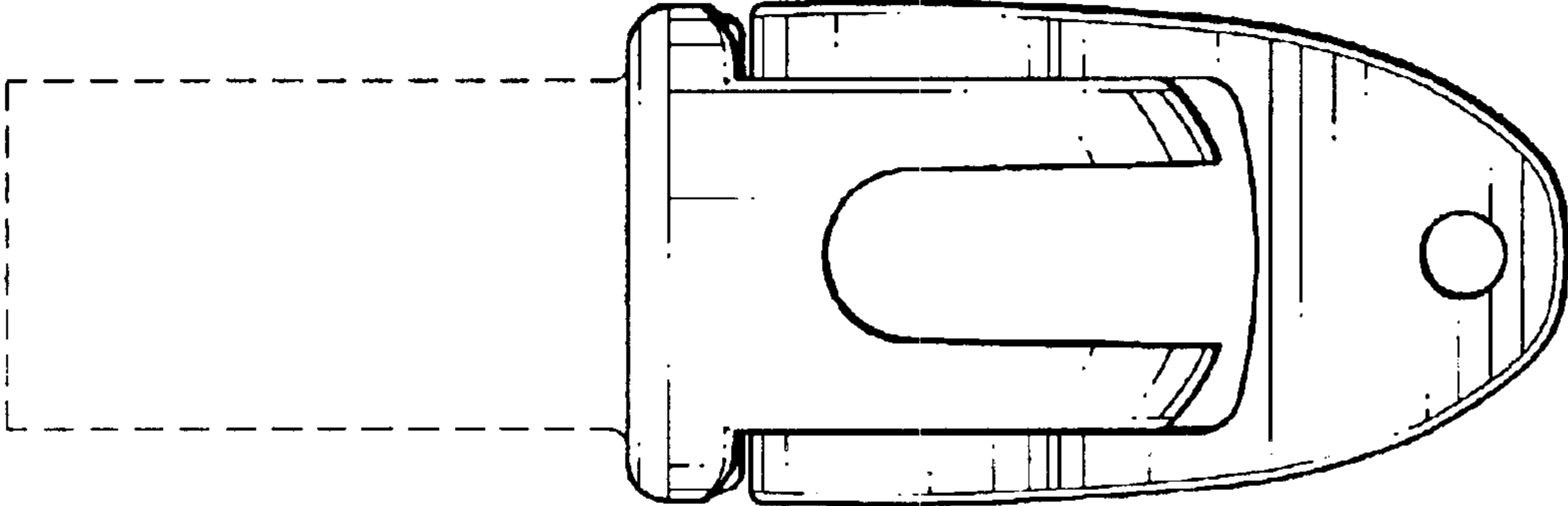
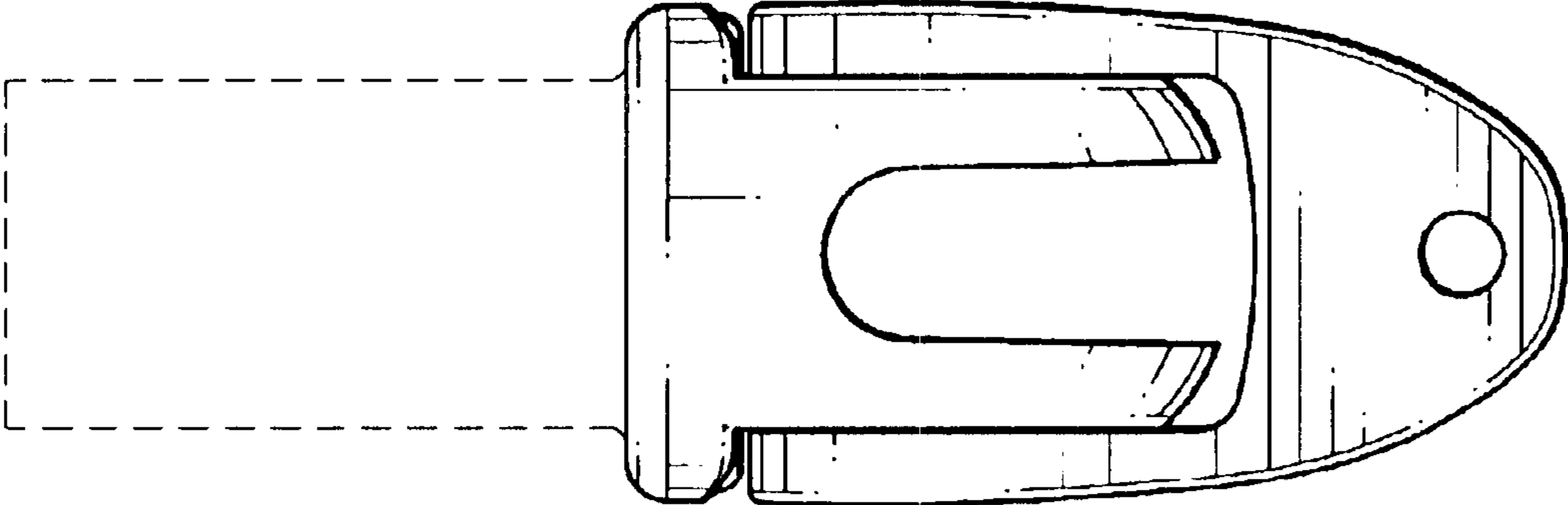


FIG. 3



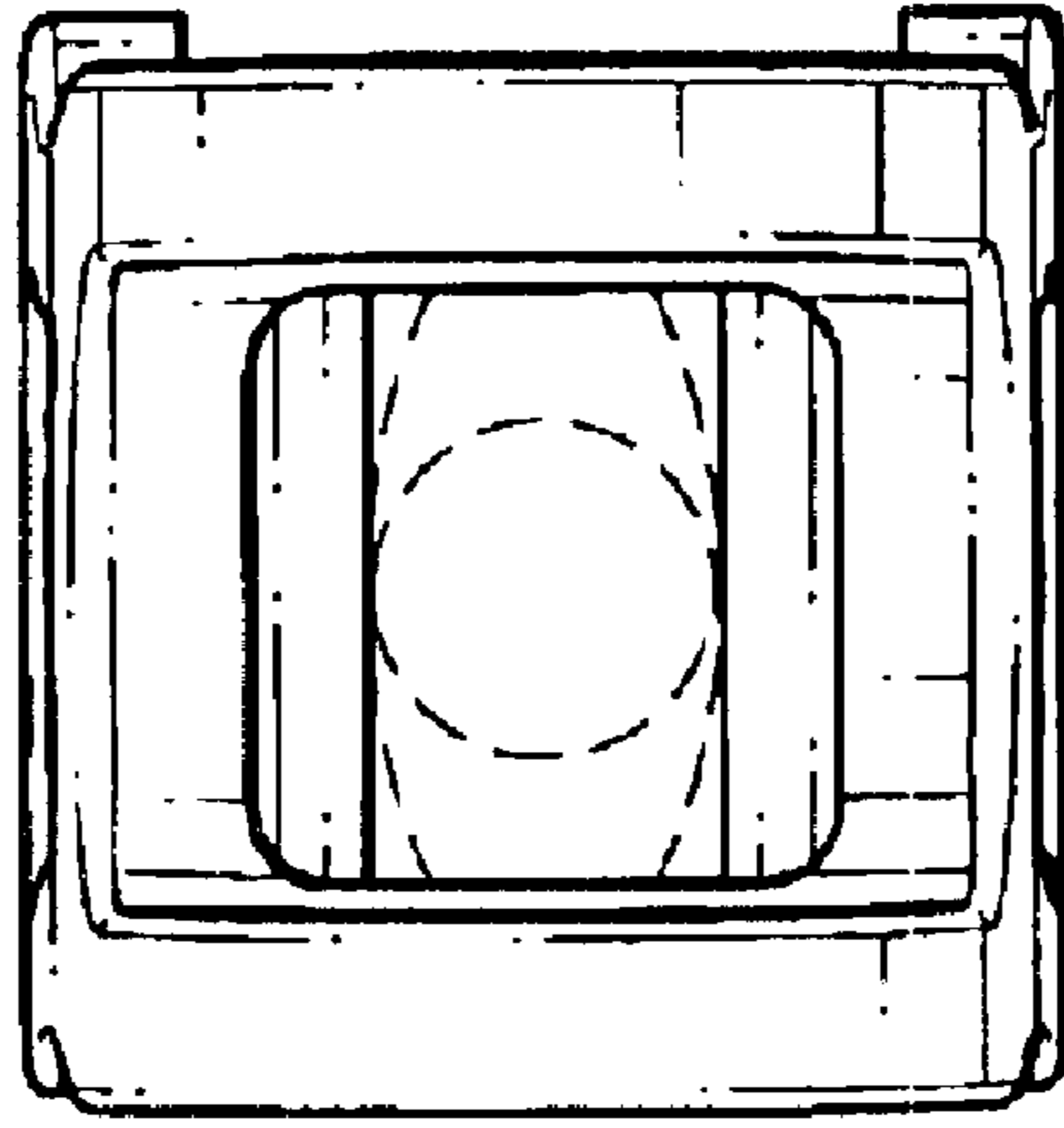


FIG. 6

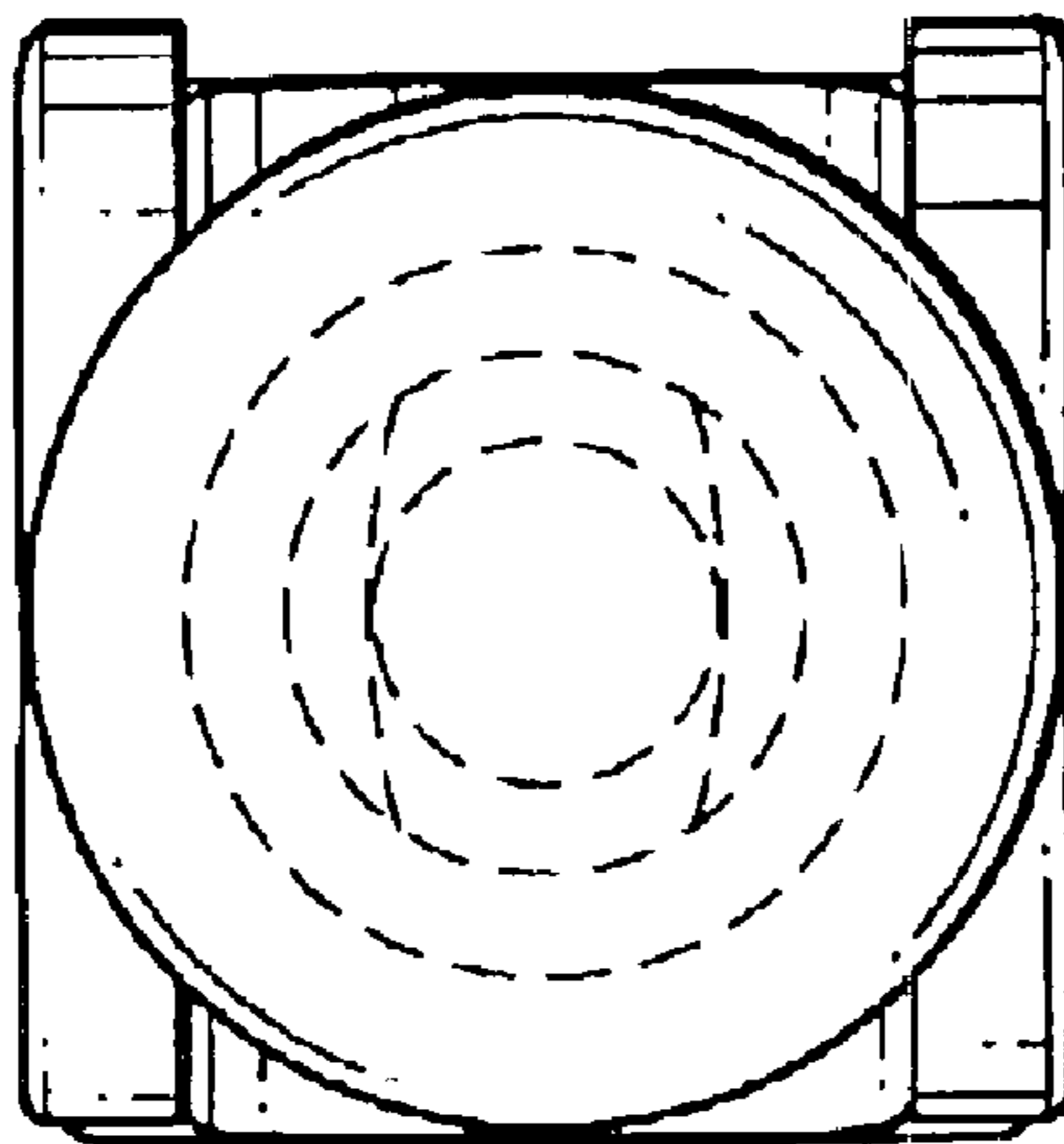


FIG. 5