

US00D498567S

(12) **United States Design Patent** (10) **Patent No.:** **US D498,567 S**  
**Alsruhe et al.** (45) **Date of Patent:** **\*\* Nov. 16, 2004**

(54) **HANDLE FOR A SCRUBBING DEVICE**

(75) **Inventors:** **Wallis Alsruhe**, Manchester, MD (US);  
**Wade King**, Columbia, MD (US);  
**Kevin W. Covell**, Parkton, MD (US)

(73) **Assignee:** **Black & Decker Inc.**, Newark, DE (US)

(\*\*) **Term:** **14 Years**

(21) **Appl. No.:** **29/182,624**

(22) **Filed:** **May 29, 2003**

(51) **LOC (7) Cl.** ..... **15-05**

(52) **U.S. Cl.** ..... **D32/19**

(58) **Field of Search** ..... D32/1, 15, 17-22,  
D32/25, 31; D8/61-62; D4/102; 15/23,  
28, 32, 34, 3, 12, 302, 320

(56) **References Cited**

**U.S. PATENT DOCUMENTS**

1,870,232 A	8/1932	Brim
2,782,452 A	2/1957	Kitto et al.
3,023,971 A	3/1962	Milhaus
3,058,136 A	10/1962	Rachlin
3,164,855 A	1/1965	Hencken
3,226,259 A	12/1965	Armbrust
3,366,288 A	1/1968	Goldschein
3,398,848 A	8/1968	Donovan
3,614,705 A	10/1971	Descarries et al.
3,688,139 A	8/1972	Yaguchi
3,731,334 A	5/1973	Carboneli
3,908,220 A	9/1975	Adamson et al.
4,045,836 A	9/1977	Glenn
4,084,281 A	4/1978	Smith
4,188,682 A	2/1980	Burglin et al.
4,202,068 A	5/1980	Lester et al.
4,207,640 A	6/1980	Sekula et al.
4,399,578 A	8/1983	Bordeaux
4,417,826 A	11/1983	Floros
4,490,873 A	1/1985	Stratton
4,524,477 A	6/1985	Williams, III et al.
4,724,567 A	2/1988	Rones
4,734,954 A	4/1988	Greskovics et al.

4,763,377 A	8/1988	Madsen
4,780,992 A	11/1988	McKervey
D298,875 S	* 12/1988	Nakamura ..... D32/18
4,893,370 A	1/1990	Klotz
4,964,398 A	10/1990	Jones
5,058,229 A	10/1991	Plazanet
5,088,149 A	2/1992	Berg et al.
5,109,568 A	5/1992	Rohn et al.
5,157,873 A	10/1992	Rudolf et al.
5,289,605 A	3/1994	Armbruster
5,353,461 A	10/1994	Enriquez

(List continued on next page.)

**FOREIGN PATENT DOCUMENTS**

JP 6-304116 11/1994

*Primary Examiner*—Robert A. Delehanty

(74) *Attorney, Agent, or Firm*—Harness, Dickey & Pierce, P.L.C.

(57) **CLAIM**

The ornamental design for a handle for a scrubbing device, substantially as shown and described.

**DESCRIPTION**

FIG. 1 is a perspective view of a handle for a scrubbing device in accordance with the present invention.

FIG. 2 is a front plan view of the handle for a scrubbing device of FIG. 1.

FIG. 3 is a rear plan view of the handle for a scrubbing device of FIG. 1.

FIG. 4 is a right side plan view of the handle for a scrubbing device of FIG. 1.

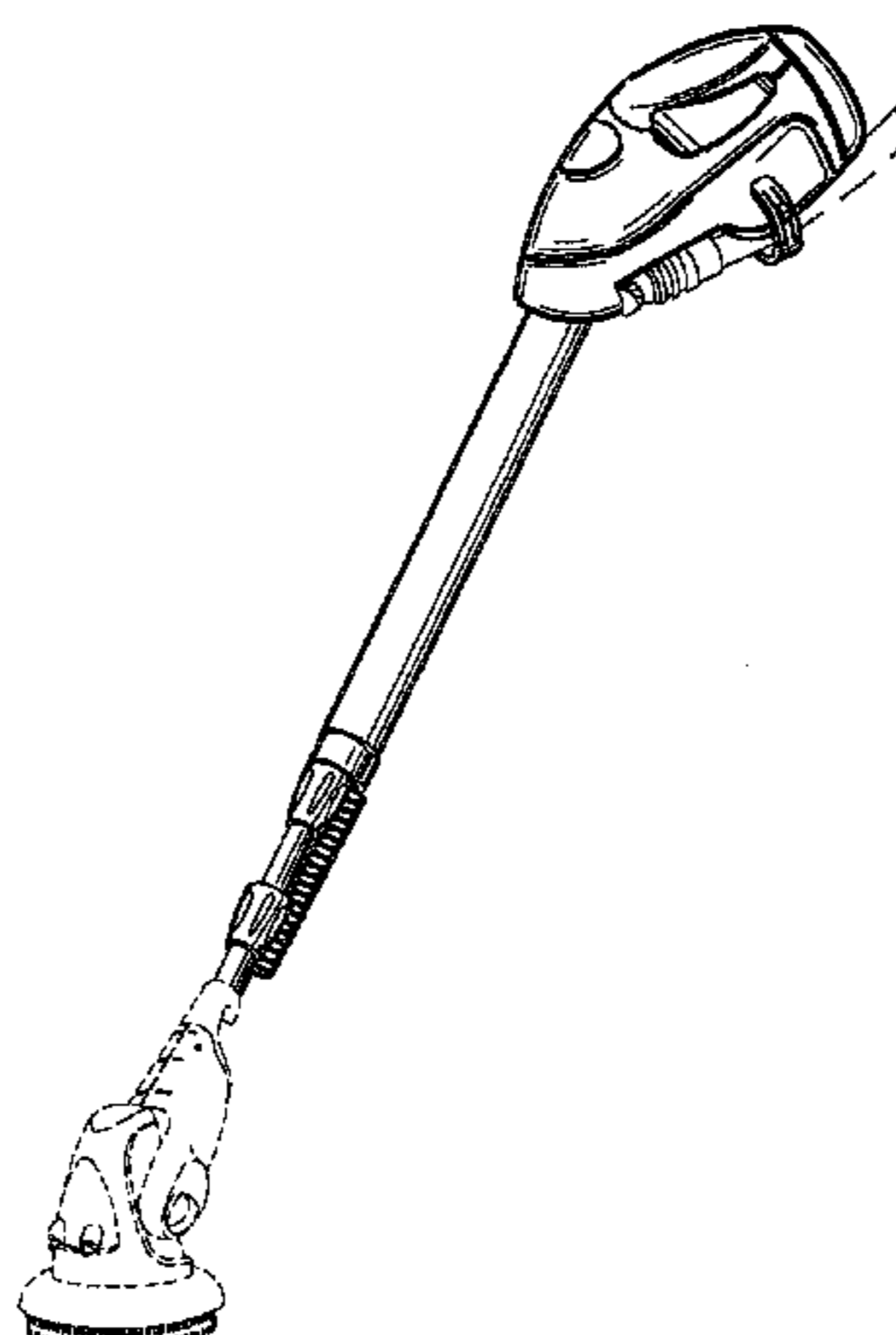
FIG. 5 is a left side plan view of the handle for a scrubbing device of FIG. 1.

FIG. 6 is a top plan view of the handle for a scrubbing device of FIG. 1; and,

FIG. 7 is a bottom plan view of the handle for a scrubbing device of FIG. 1.

The broken line showing of a hose and scrubber head and support attachment is for illustrative purposes only and forms no part of the claimed design.

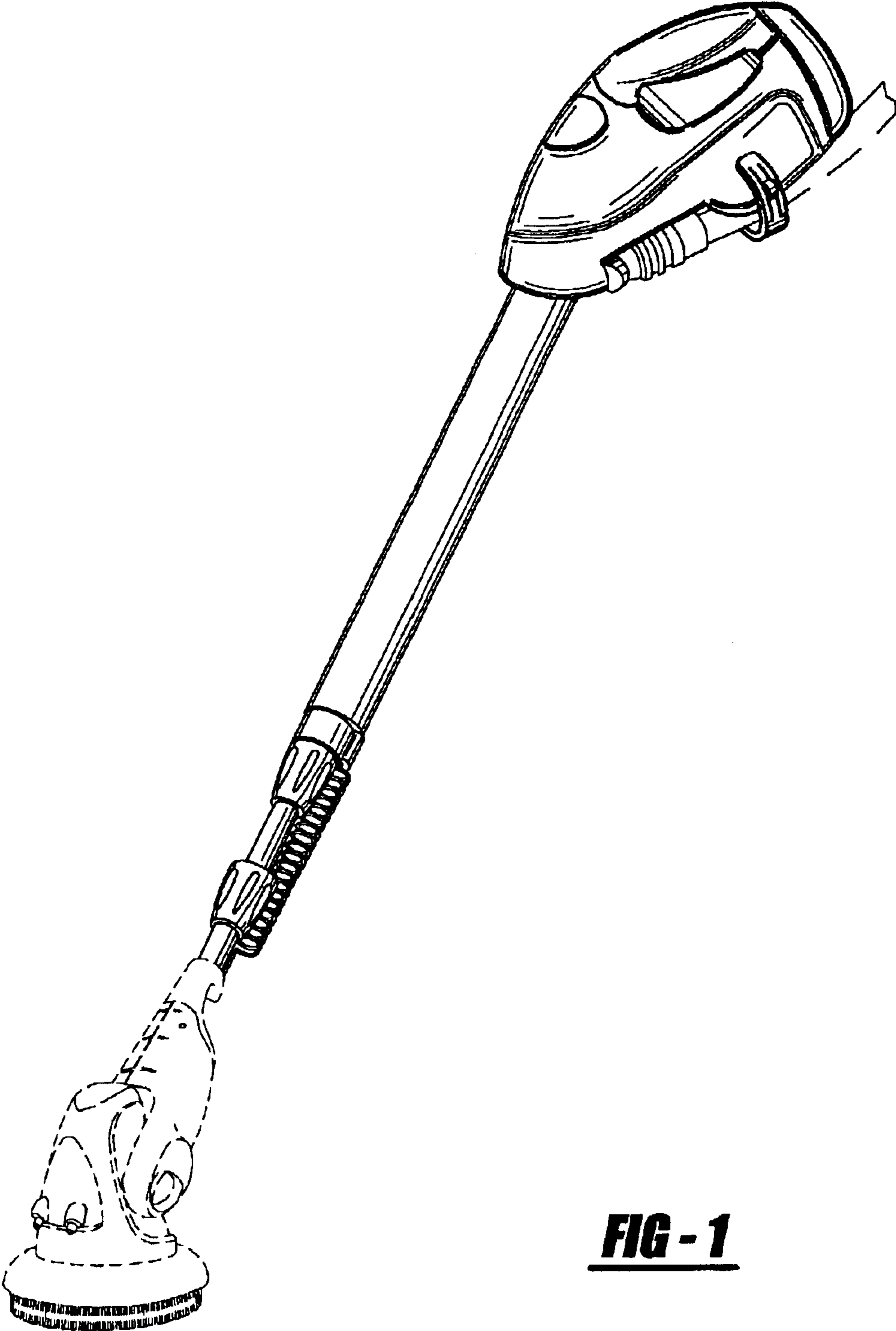
**1 Claim, 5 Drawing Sheets**



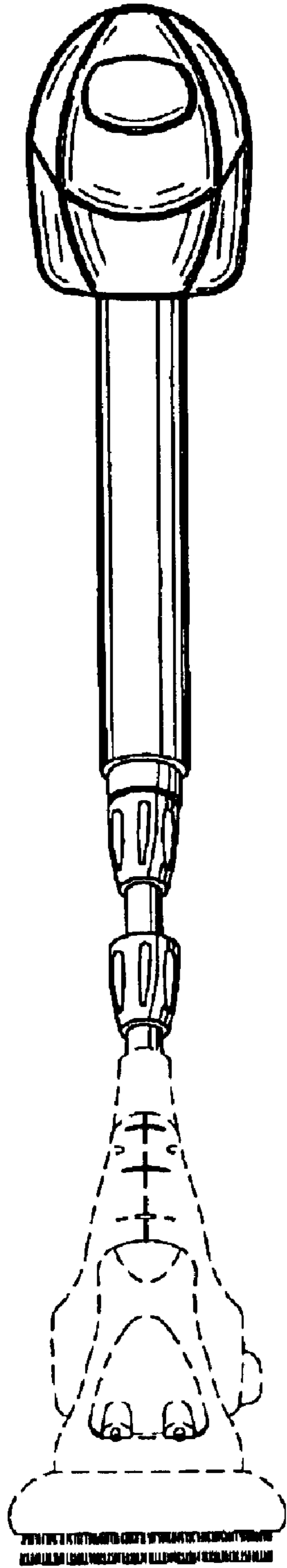
U.S. PATENT DOCUMENTS

5,371,912 A	12/1994	Hall	5,960,503 A	10/1999	Del Pozo Y Mattei
5,423,102 A	6/1995	Madison	6,009,593 A	1/2000	Crouser et al.
5,500,972 A	3/1996	Foster	6,016,812 A	1/2000	Guyann
5,513,409 A	5/1996	Biegel	6,026,529 A	2/2000	Caruso
5,588,176 A	12/1996	Sixsmith	6,058,542 A	5/2000	Lo
5,649,334 A	7/1997	Henriquez et al.	6,088,873 A	7/2000	Pacchini et al.
5,701,625 A	12/1997	Siman	6,112,354 A	9/2000	Stoltz et al.
5,784,744 A	7/1998	Toran	6,164,496 A	12/2000	Gregory
5,842,243 A	12/1998	Horvath et al.	6,374,447 B1	4/2002	Armbruster et al.
5,870,790 A	2/1999	Root et al.	6,439,409 B1	8/2002	Dressel et al.
5,956,792 A	9/1999	Gutelius et al.	2003/0159228 A1 *	8/2003	Lee et al. .... 15/320
5,957,387 A	9/1999	Porta et al.			

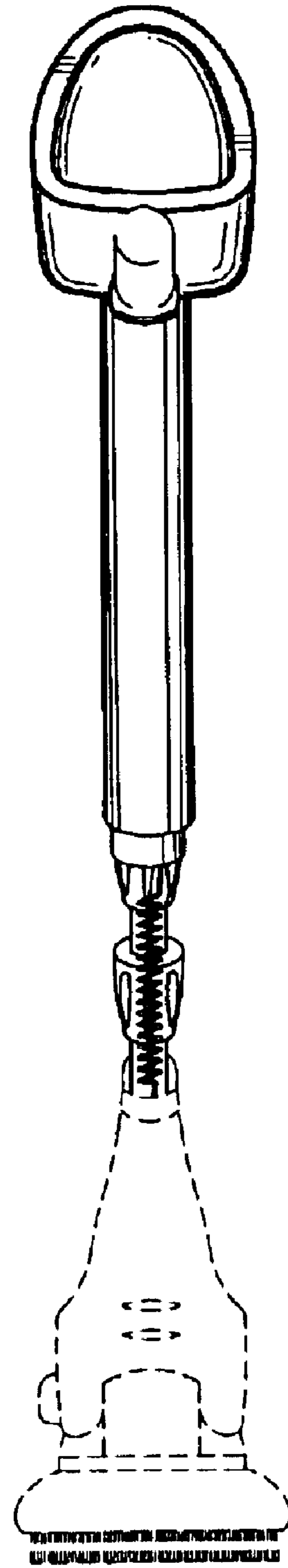
\* cited by examiner



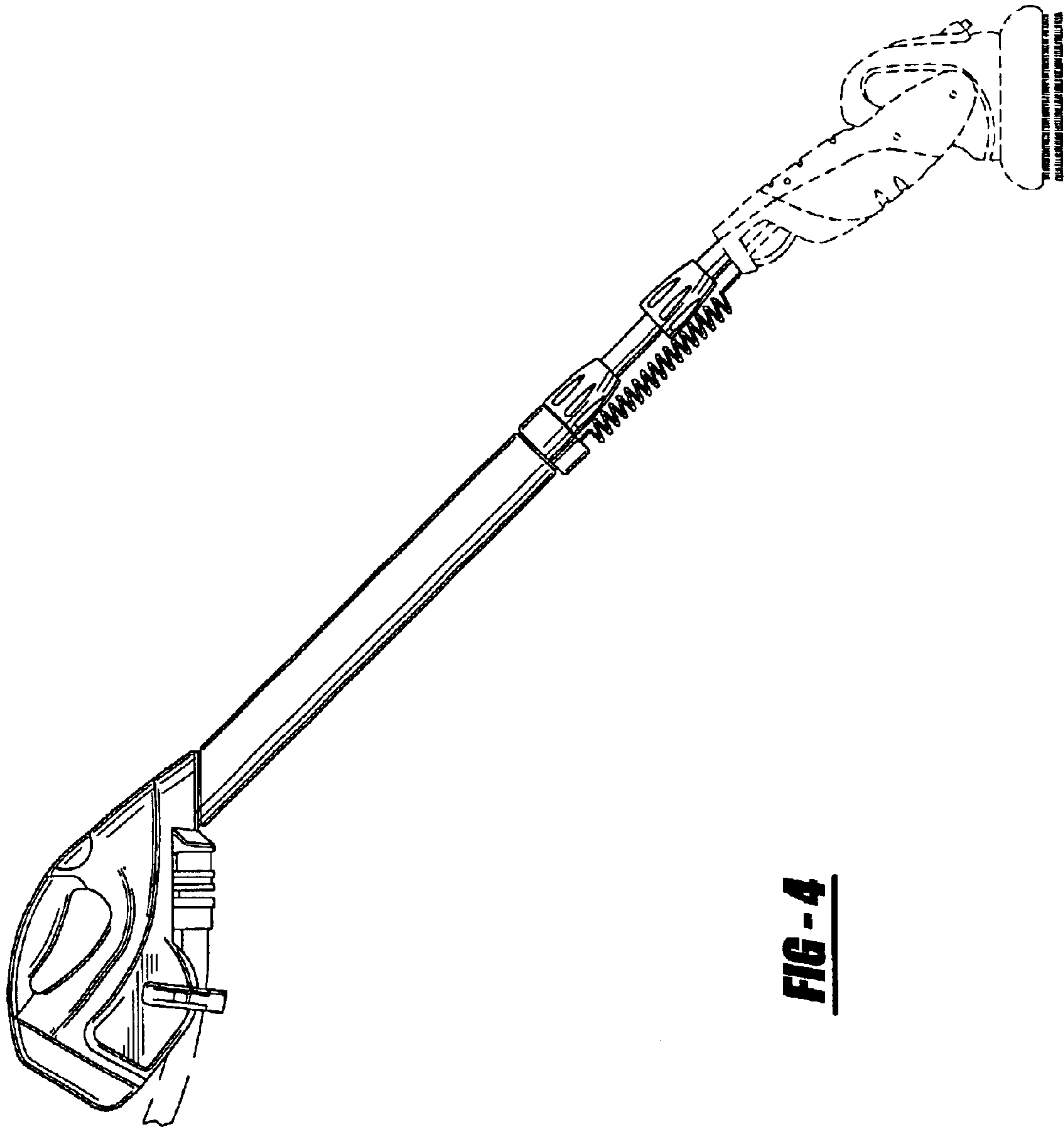
**FIG - 1**



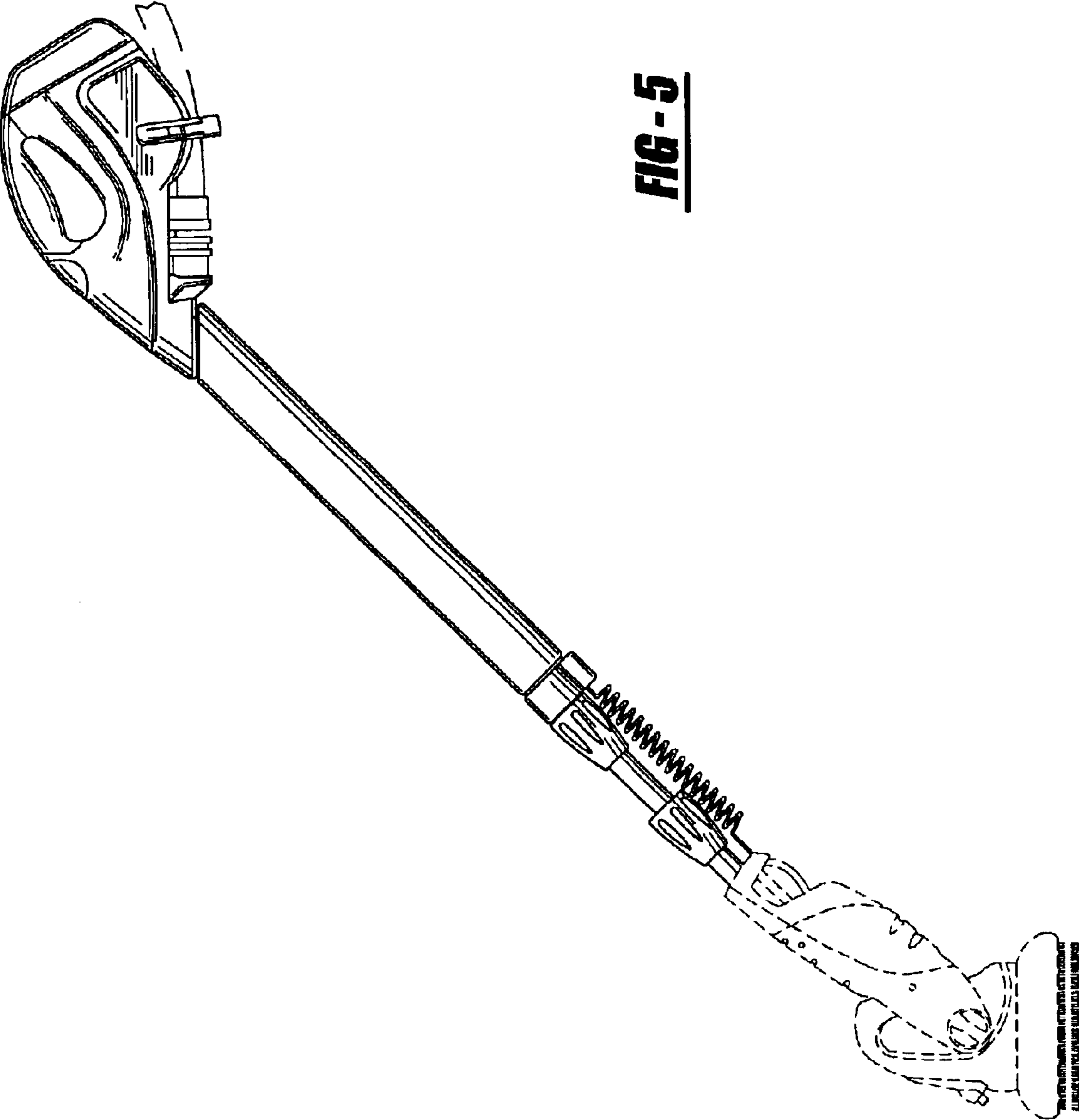
**FIG - 2**



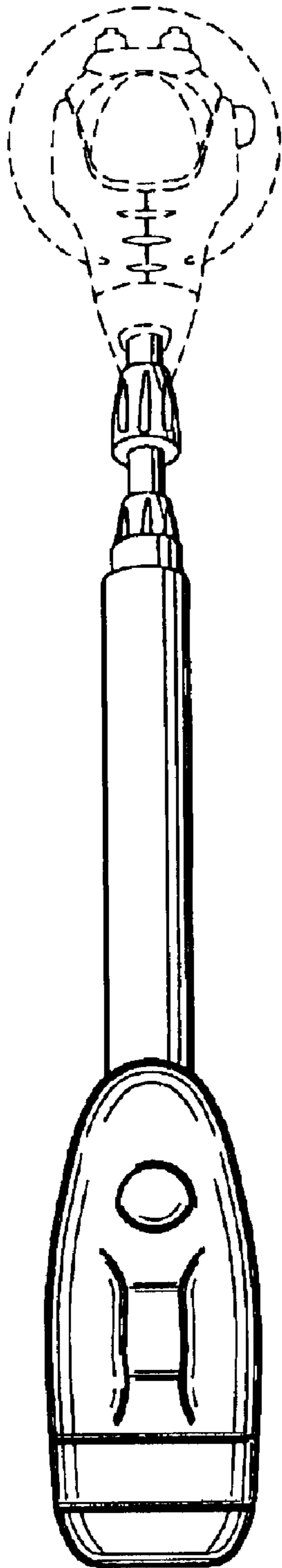
**FIG - 3**



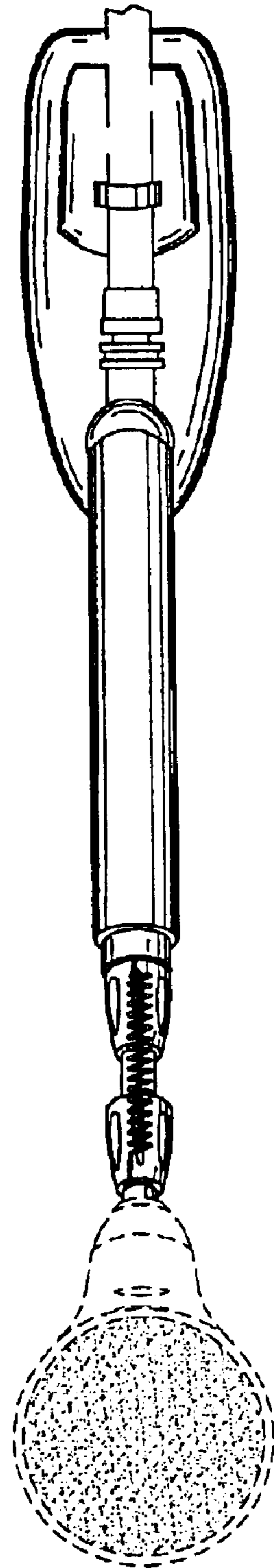
**FIG - 4**



**FIG - 5**



**FIG - 6**



**FIG - 7**