



US00D498565S

(12) **United States Design Patent** (10) **Patent No.:** **US D498,565 S**
Cole et al. (45) **Date of Patent:** **** Nov. 16, 2004**

(54) **RIM AND SPOKES OF A GRILL FOR A FEEDER**

2,941,506 A 6/1960 Fulton
3,085,552 A 4/1963 Pilch
3,102,511 A 9/1963 Atcheson
3,105,463 A 10/1963 Pilch

(75) Inventors: **Theodore J. Cole**, Milford, IN (US);
Lionel L. Kreger, Warsaw, IN (US);
James R. Kraft, New Paris, IN (US);
Philip Wilfong, Goshen, IN (US)

(List continued on next page.)

FOREIGN PATENT DOCUMENTS

(73) Assignee: **CTB IP, Inc.**, Wilmington, DE (US)

DE 10164122 12/2001
WO WO0106846 2/2001

(**) Term: **14 Years**

OTHER PUBLICATIONS

(21) Appl. No.: **29/183,747**

U.S. patent application Publication No.: US2001/0047766,
Published on Dec. 6, 2001, Inventor Thuline entitled: Poultry Feeder.

(22) Filed: **Jun. 17, 2003**

(51) **LOC (7) Cl.** **30-03**

One (1) page Big Dutchman "Tru Pan" Flyer—No Date.

(52) **U.S. Cl.** **D30/124; D30/128; 119/51.01**

Two (2) page Big Dutchman "FLUXX Broiler Feeding System" Flyer—No Date.

(58) **Field of Search** D30/128-129,
D30/124; D7/562, 545, 552.2, 558, 560,
584, 554.1, 529, 566, 586; 119/51.01, 77,
52.1, 72-74, 428-429, 459, 468, 57.8, 57.9,
52.2, 52.3, 52.4

Six (6) page Big Dutchman "AugerMatic & TruPan" Brochure—Aug. 2001.

Primary Examiner—Pamela Burgess

(56) **References Cited**

(74) *Attorney, Agent, or Firm*—Trexler, Bushnell, Giangiorgi, Blackstone & Marr, Ltd.

U.S. PATENT DOCUMENTS

(57) **CLAIM**

- 364,557 A 6/1887 Walin
- 570,569 A 11/1896 Smith
- 580,054 A 4/1897 Merriman
- 905,393 A 12/1908 Webb
- 984,980 A 2/1911 Taylor
- 1,069,943 A 8/1913 Haffey
- 1,131,491 A 3/1915 Drake
- D47,285 S * 5/1915 Ebeling D7/562
- 1,154,073 A 9/1915 Stocking
- 1,565,117 A 12/1925 Stabbert
- 1,699,501 A 1/1929 McCartney
- 1,862,349 A 6/1932 Perry
- 2,457,432 A 12/1948 Ballard
- 2,681,639 A 8/1954 Littlefield
- 2,709,417 A 5/1955 Brembeck
- 2,789,534 A 4/1957 Landgraf
- 2,804,844 A 9/1957 Gigliotti
- 2,875,729 A 3/1959 Gibson
- 2,884,899 A 5/1959 Jackes et al.
- 2,933,064 A 4/1960 Geerlings

We claim the ornamental design for rim and spokes of a grill for a feeder, as shown and described.

DESCRIPTION

FIG. 1 is a perspective view of the rim and spokes of a grill for a feeder according to our design;

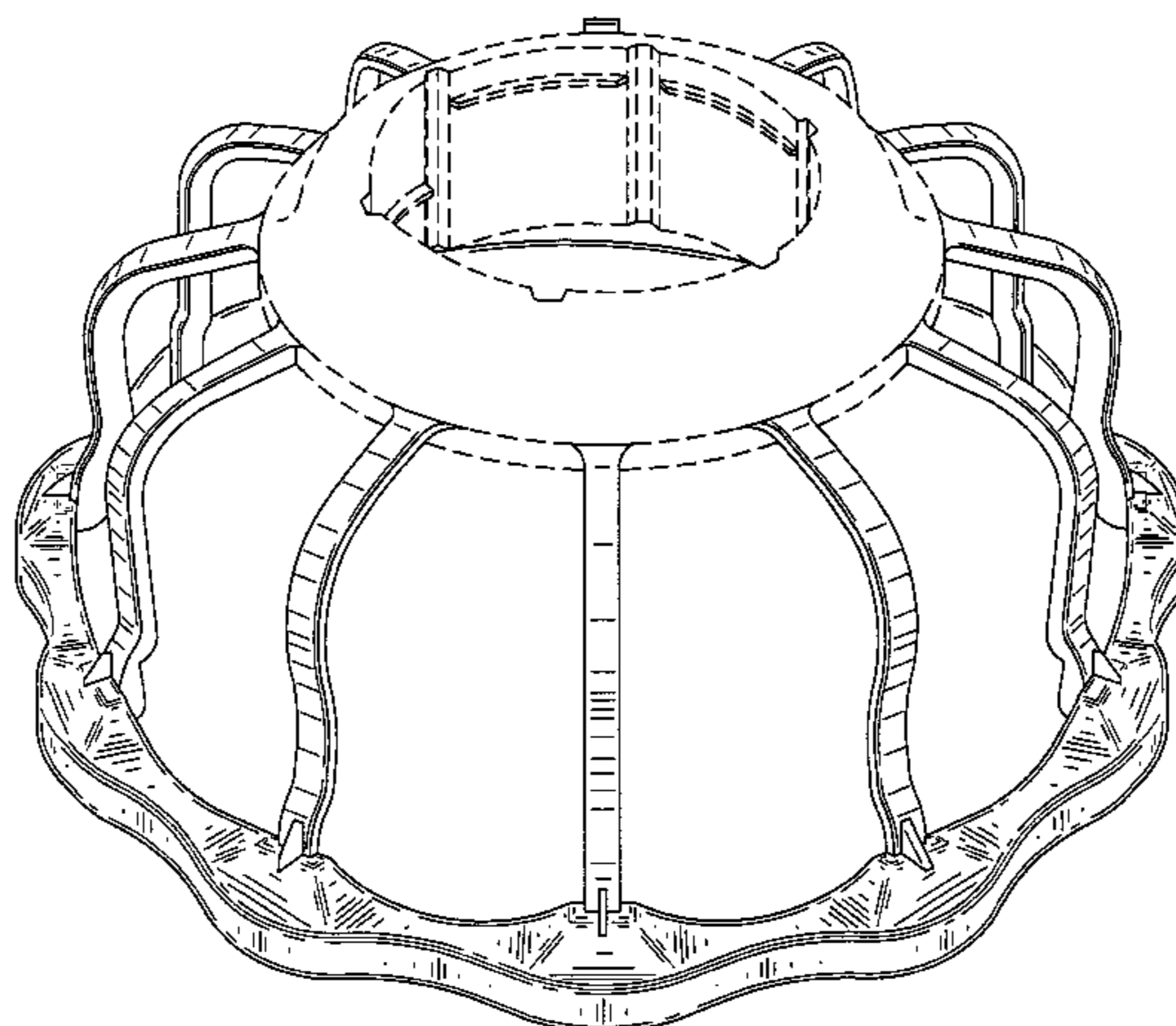
FIG. 2 is a top plan view of the rim and spokes of a grill for a feeder according to our design;

FIG. 3 is a bottom plan view of the rim and spokes of a grill for a feeder according to our design; and,

FIG. 4 is a side plan view of the rim and spokes of a grill for a feeder according to our design.

The broken line showing of FIGS. 1-4 of the rim and spokes of a grill for a feeder is for illustrative purposes only and forms no part of the claimed design.

1 Claim, 4 Drawing Sheets



US D498,565 S

U.S. PATENT DOCUMENTS					
			4,348,988 A	9/1982	Lawson
			4,476,811 A	10/1984	Swartzendruber
RE25,589 E	6/1964	Hostetler et al.	4,527,513 A	7/1985	Hart et al.
3,203,397 A	8/1965	Henry	4,552,095 A	11/1985	Segalla
3,211,131 A	10/1965	Klein	4,800,844 A	1/1989	Van Gilst
3,230,933 A	1/1966	Myers et al.	4,834,026 A	5/1989	Brembeck et al.
3,330,255 A	7/1967	Scott et al.	4,995,343 A	2/1991	Cole et al.
3,388,690 A	6/1968	Hostetler	5,007,380 A	4/1991	Badia et al.
3,389,689 A	6/1968	Van Huis	5,092,274 A	3/1992	Cole et al.
3,408,988 A	11/1968	Lee	5,113,797 A	5/1992	van Daele
3,476,087 A	11/1969	Scott et al.	5,275,131 A	1/1994	Brake et al.
3,485,215 A	12/1969	Scott et al.	5,311,839 A	5/1994	Pollock et al.
3,490,419 A	1/1970	Van Huis	5,406,907 A	4/1995	Hart
3,511,215 A	5/1970	Meyers	5,497,730 A	3/1996	van Daele et al.
3,547,082 A	12/1970	Blessin et al.	5,718,187 A	2/1998	Pollock et al.
3,566,843 A	3/1971	Van Huis	5,765,503 A	6/1998	van Daele
3,585,970 A	6/1971	Scott et al.	5,794,562 A	8/1998	Hart
3,628,505 A	12/1971	Myers	5,884,581 A	3/1999	Vandaele
3,648,661 A	3/1972	Moore	D407,949 S *	4/1999	Henry D7/562
3,675,627 A	7/1972	Myers	5,941,193 A	8/1999	Cole
3,742,913 A	7/1973	Crippen	6,050,220 A	4/2000	Kimmel et al.
3,807,359 A	4/1974	Hostetler	D426,682 S	6/2000	Kreger et al.
3,811,412 A	5/1974	Murto et al.	6,170,435 B1	1/2001	Momont et al.
3,908,601 A	9/1975	Geary	6,173,676 B1	1/2001	Cole
3,911,868 A	10/1975	Brembeck	6,314,909 B1	11/2001	Horwood
3,971,340 A	7/1976	Allen	6,349,672 B1 *	2/2002	Daffi 119/52.1
4,003,339 A	1/1977	Hostetler			
4,070,990 A	1/1978	Swartzendruber			

* cited by examiner

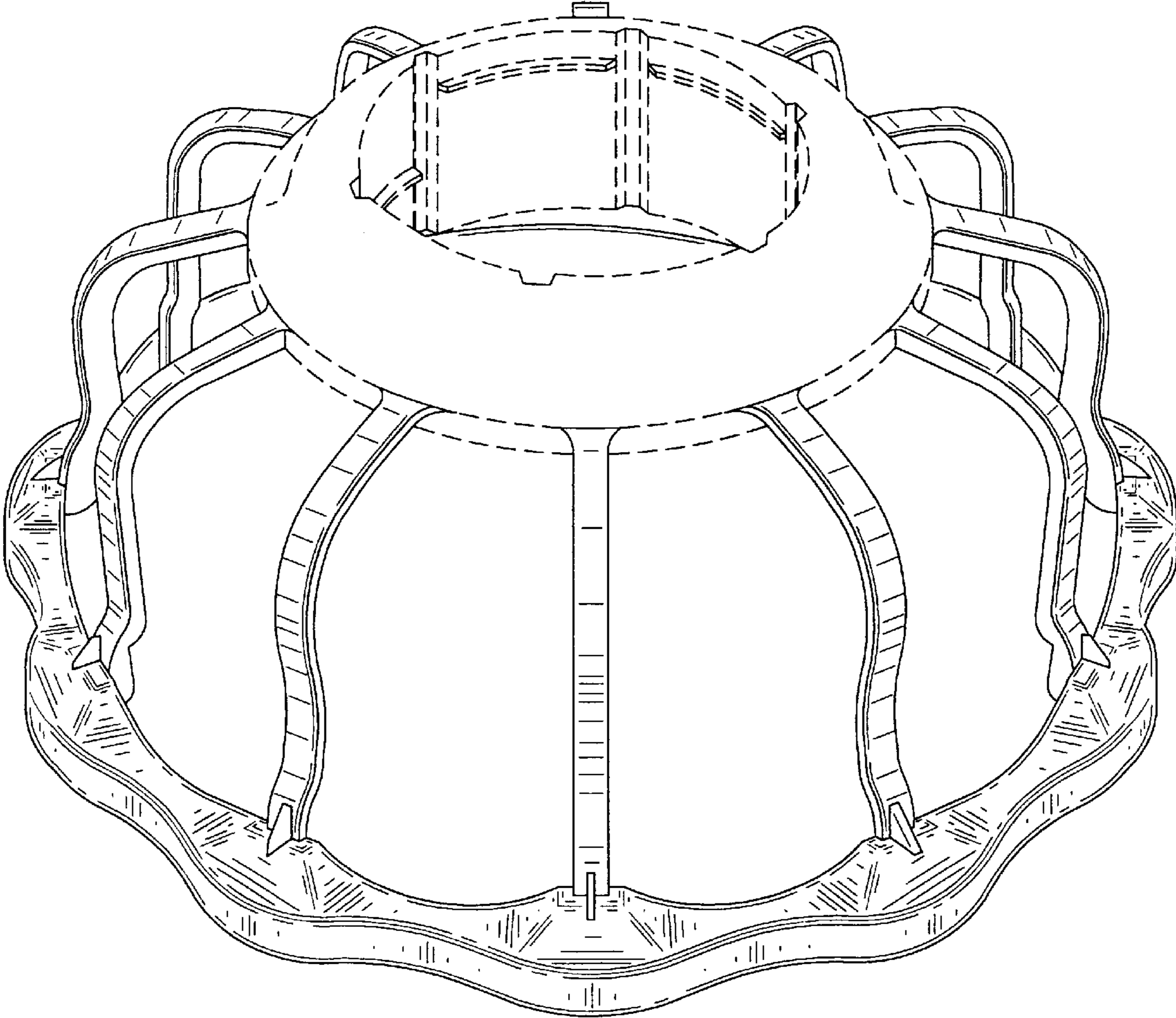


FIG. 1

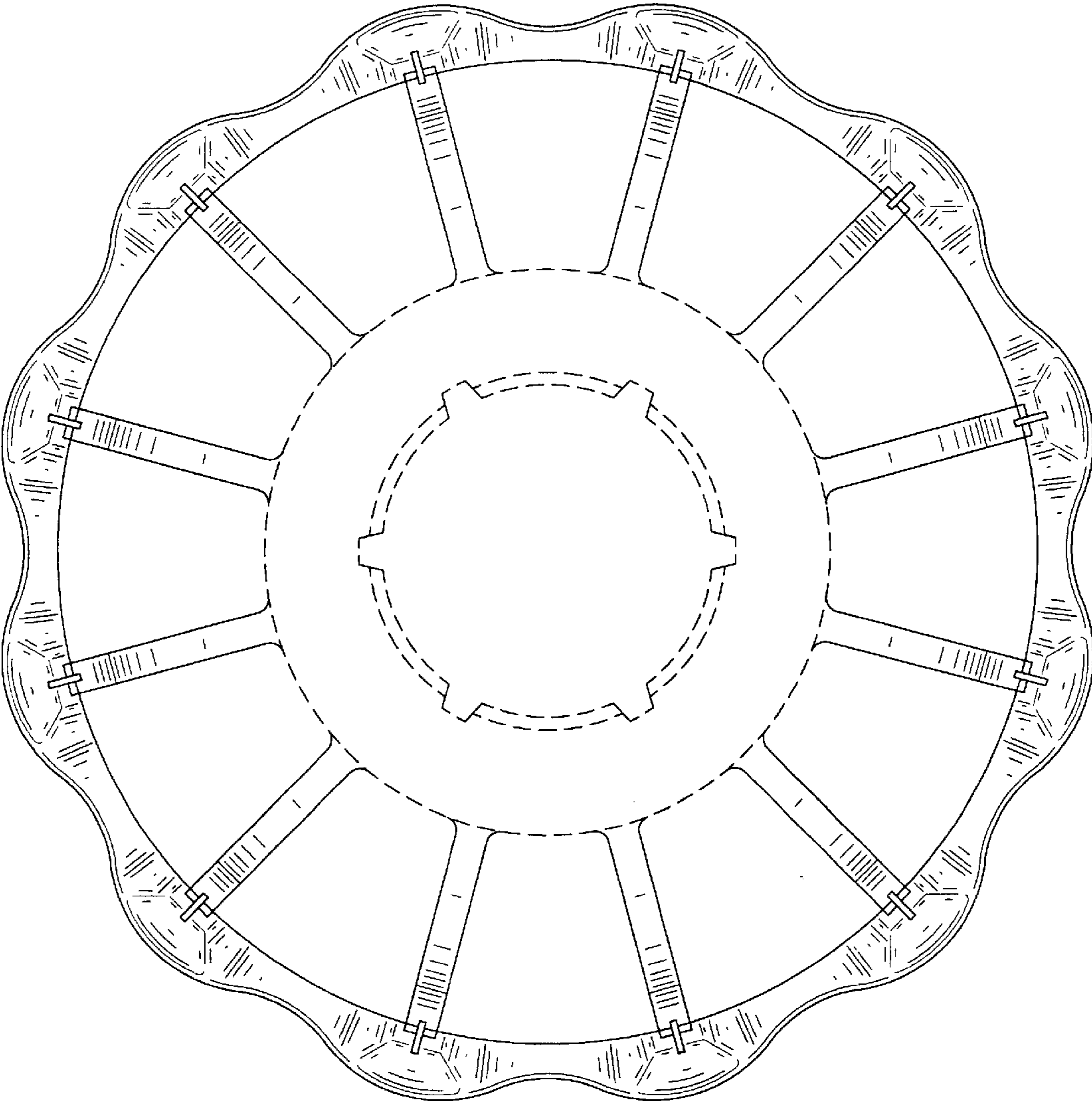


FIG. 2

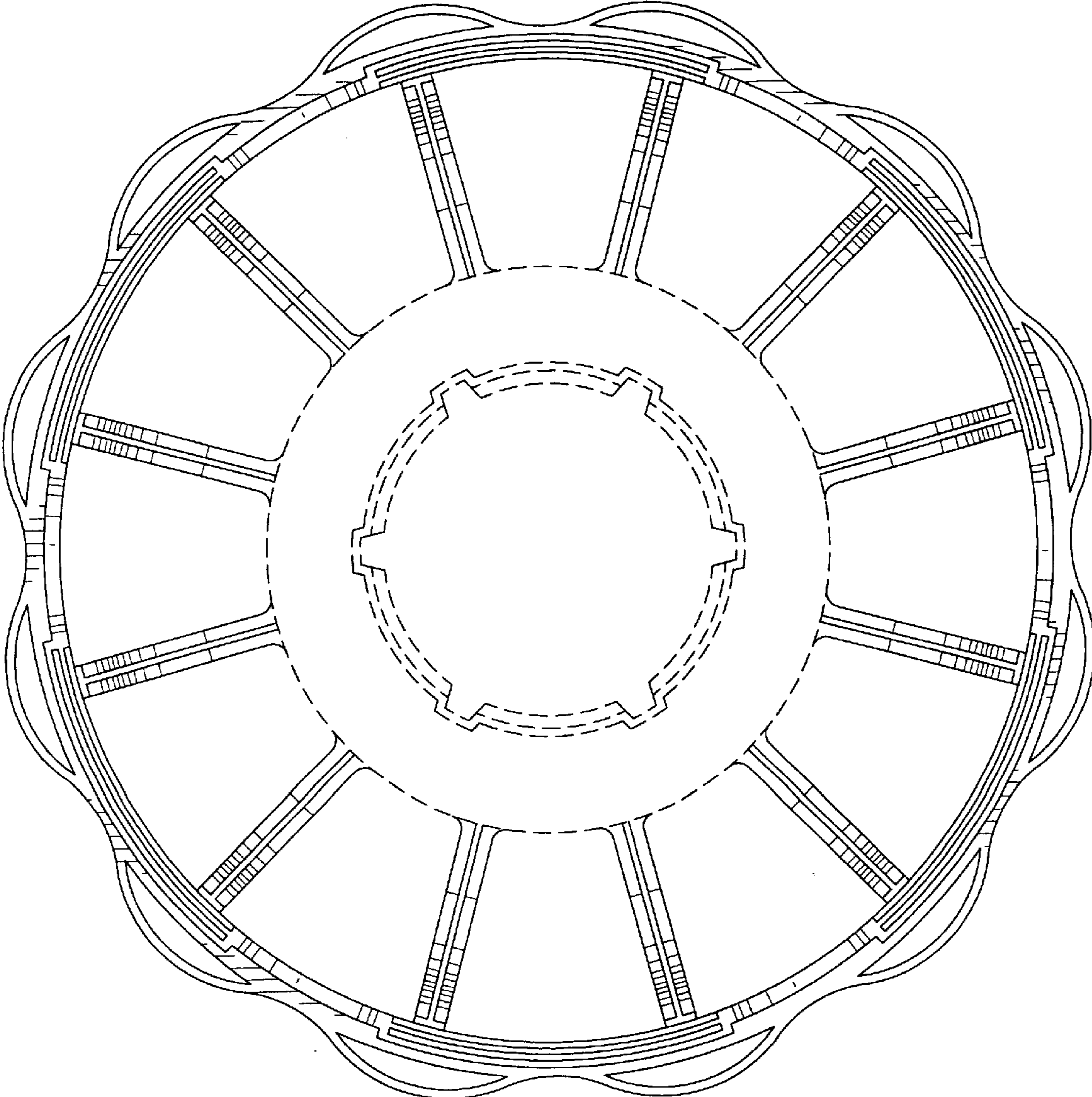


FIG. 3

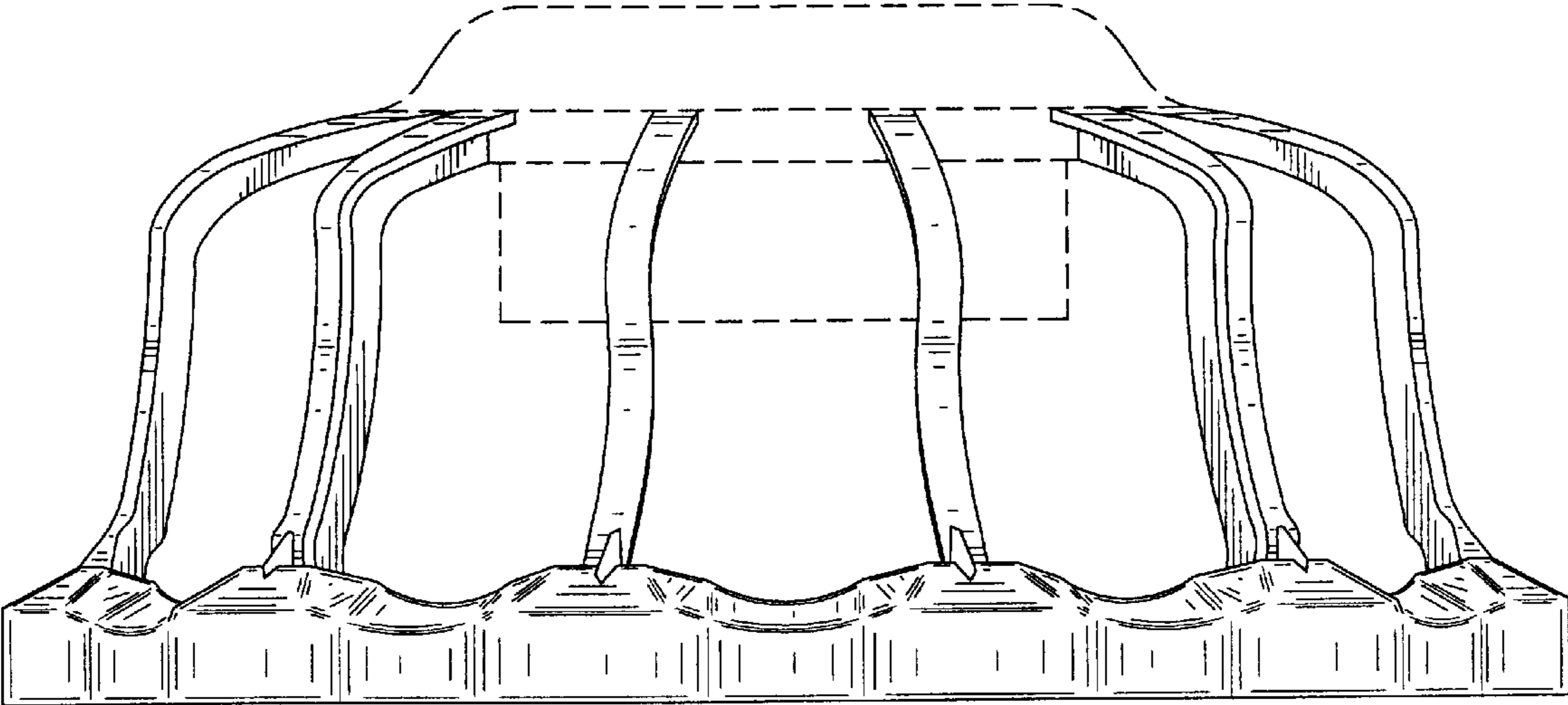


FIG. 4