

US00D498554S

(12) **United States Design Patent**
Agresto, Sr.

(10) **Patent No.: US D498,554 S**

(45) **Date of Patent: ** Nov. 16, 2004**

(54) **CLIPBOARD WITH LIGHT**

(76) Inventor: **Michael Agresto, Sr.**, 3260 Hwy. 107
North East, Braham, MN (US) 55006

(**) Term: **14 Years**

(21) Appl. No.: **29/203,276**

(22) Filed: **Apr. 12, 2004**

(51) **LOC (7) Cl. 26-05**

(52) **U.S. Cl. D26/51; D19/88**

(58) **Field of Search D26/51; D19/75-100;**
D6/419, 420; 281/42, 45; 362/98, 99, 198,
287, 427, 430

(56) **References Cited**

U.S. PATENT DOCUMENTS

2,732,481 A	*	1/1956	King	362/98
3,826,910 A		7/1974	Davis	
3,875,396 A		4/1975	Webb	
4,751,620 A	*	6/1988	Wright	362/99
5,163,748 A		11/1992	Messinger	
D338,976 S		8/1993	Miley, Jr.	
5,502,623 A		3/1996	Brotz	

D459,397 S * 6/2002 Zeller et al. D26/51

* cited by examiner

Primary Examiner—Marcus A. Jackson

(74) *Attorney, Agent, or Firm*—Theresa M. Seal

(57) **CLAIM**

The ornamental design for the clipboard with light, as shown and described.

DESCRIPTION

FIG. 1 is a perspective view of the clipboard with light, in accordance with the invention, with the broken line showing for illustrative purposes only and forming no part of the claimed design;

FIG. 2 is a perspective view thereof, in accordance with the invention;

FIG. 3 is an elevational side view thereof, the other side being a mirror image thereof;

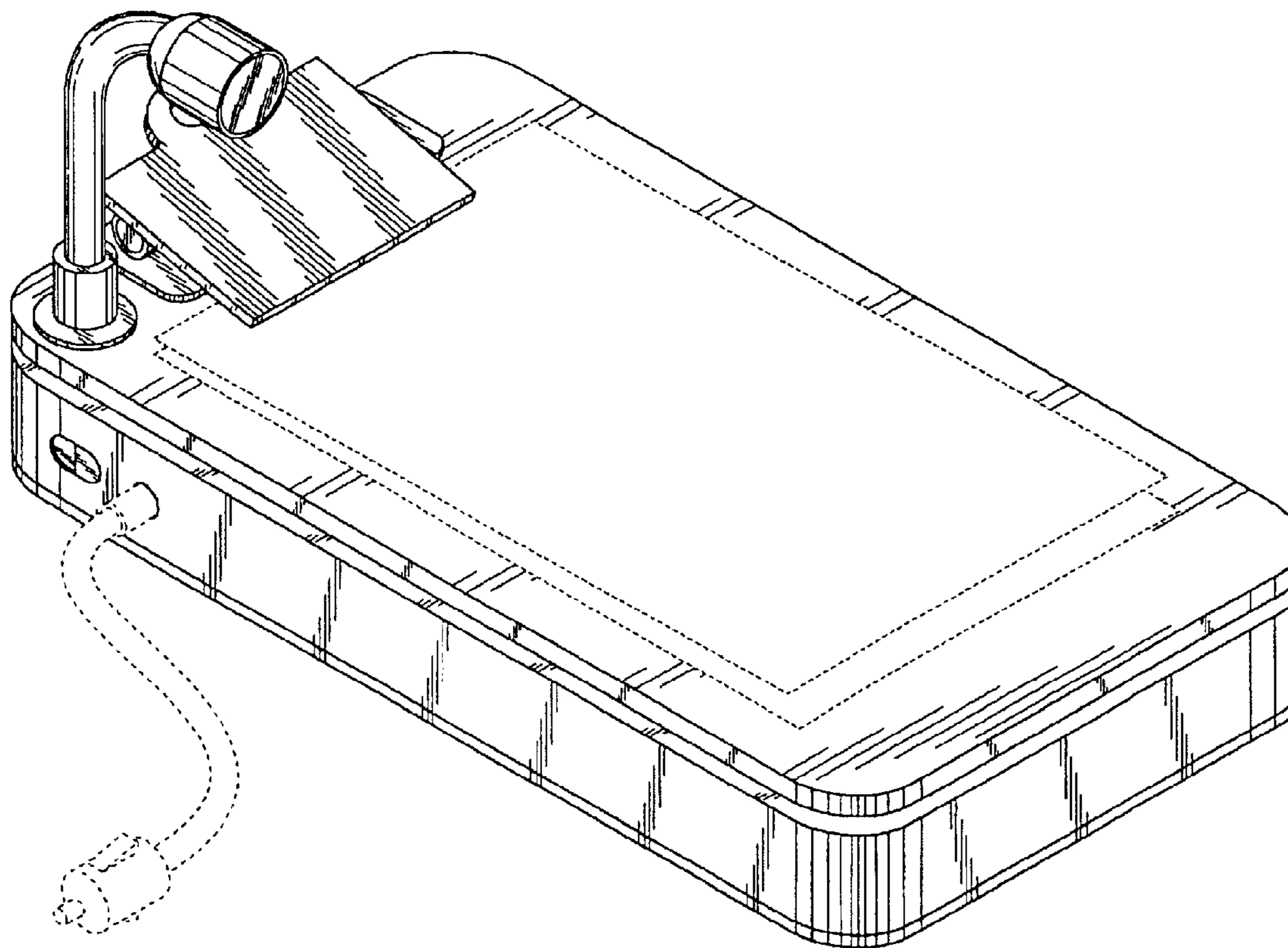
FIG. 4 is an elevational front view thereof;

FIG. 5 is an elevational rear view thereof;

FIG. 6 is an elevational top view thereof; and,

FIG. 7 is an elevational bottom view thereof.

1 Claim, 4 Drawing Sheets



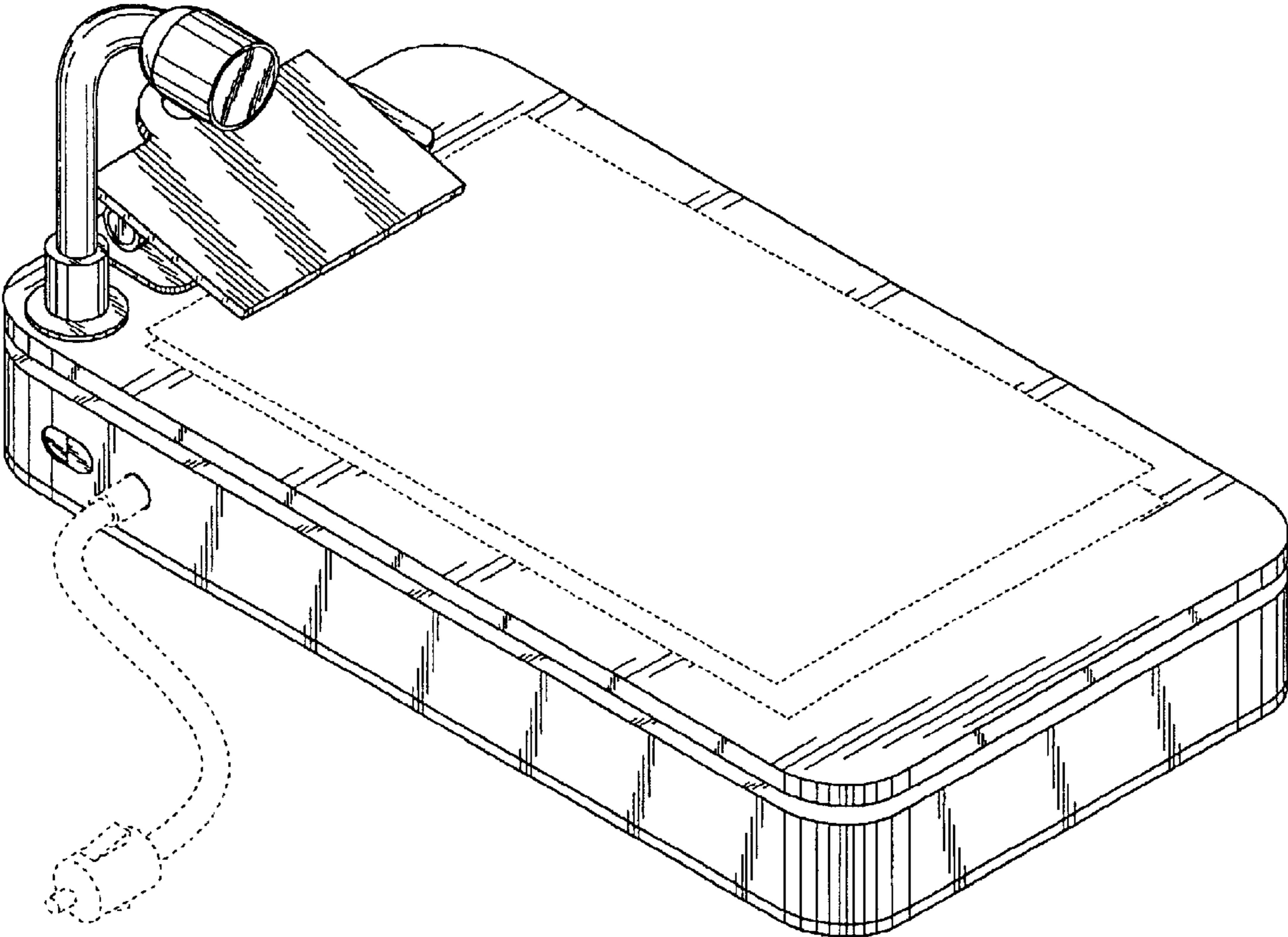


Fig. 1

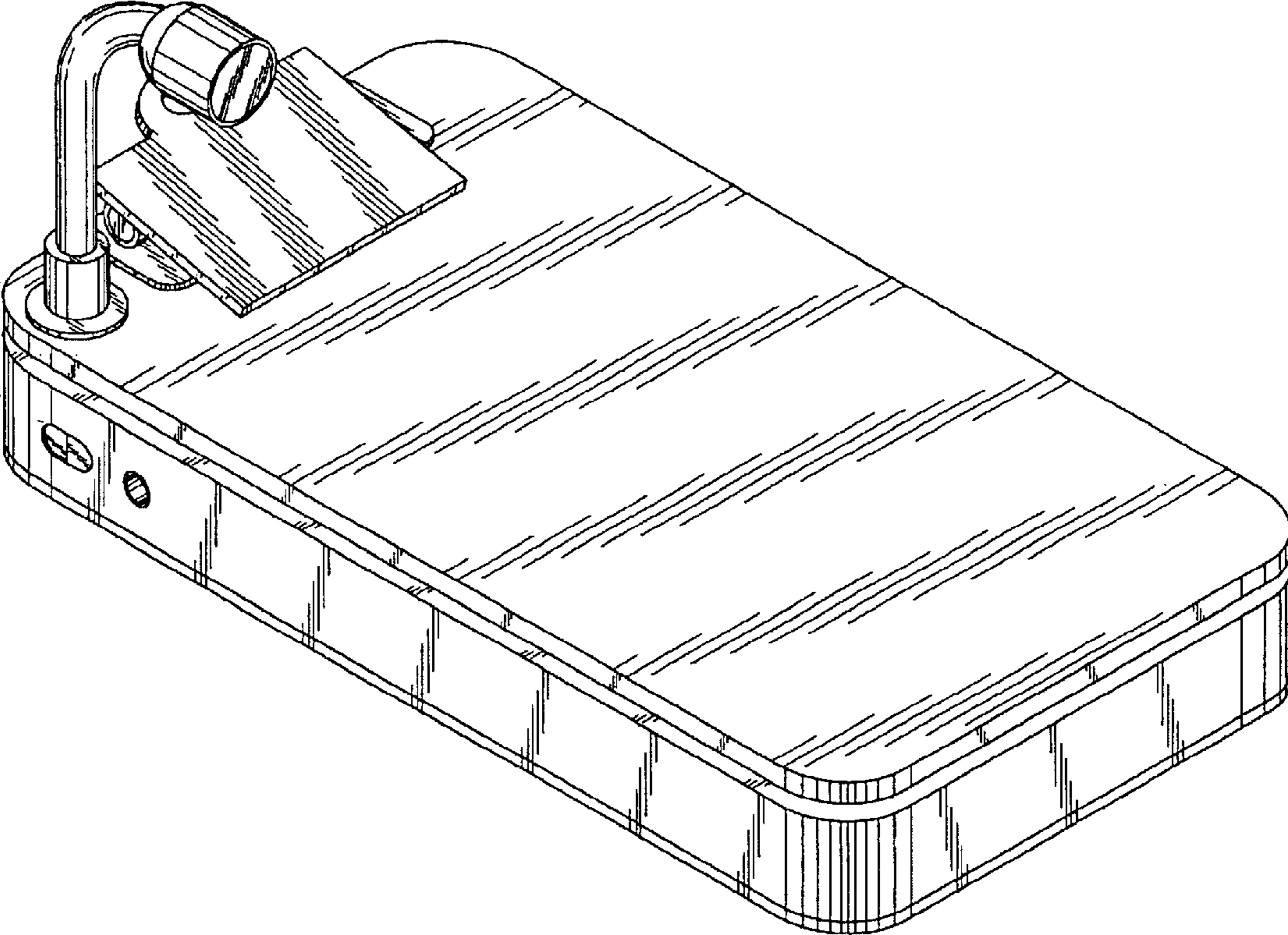


Fig. 2

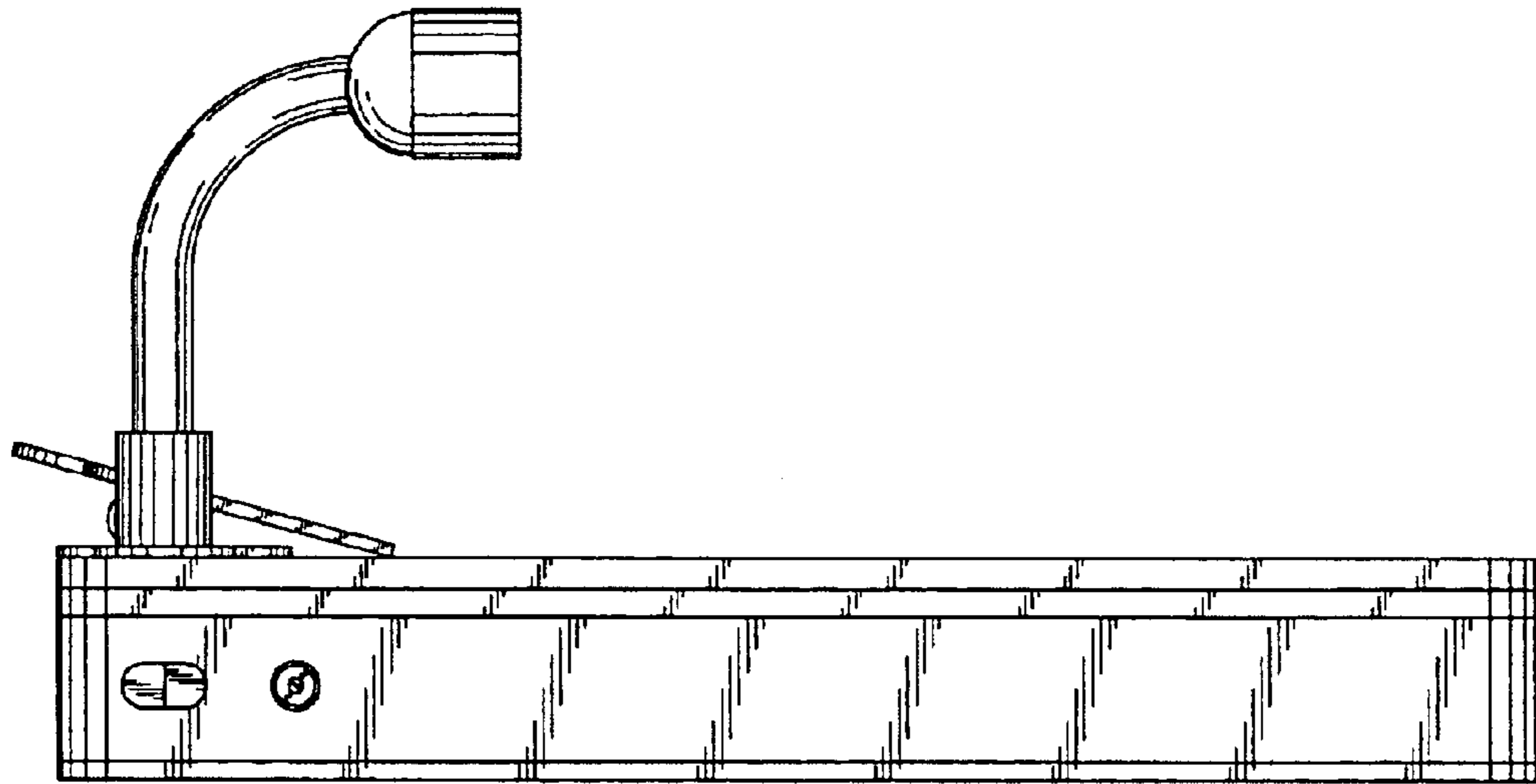


Fig. 3

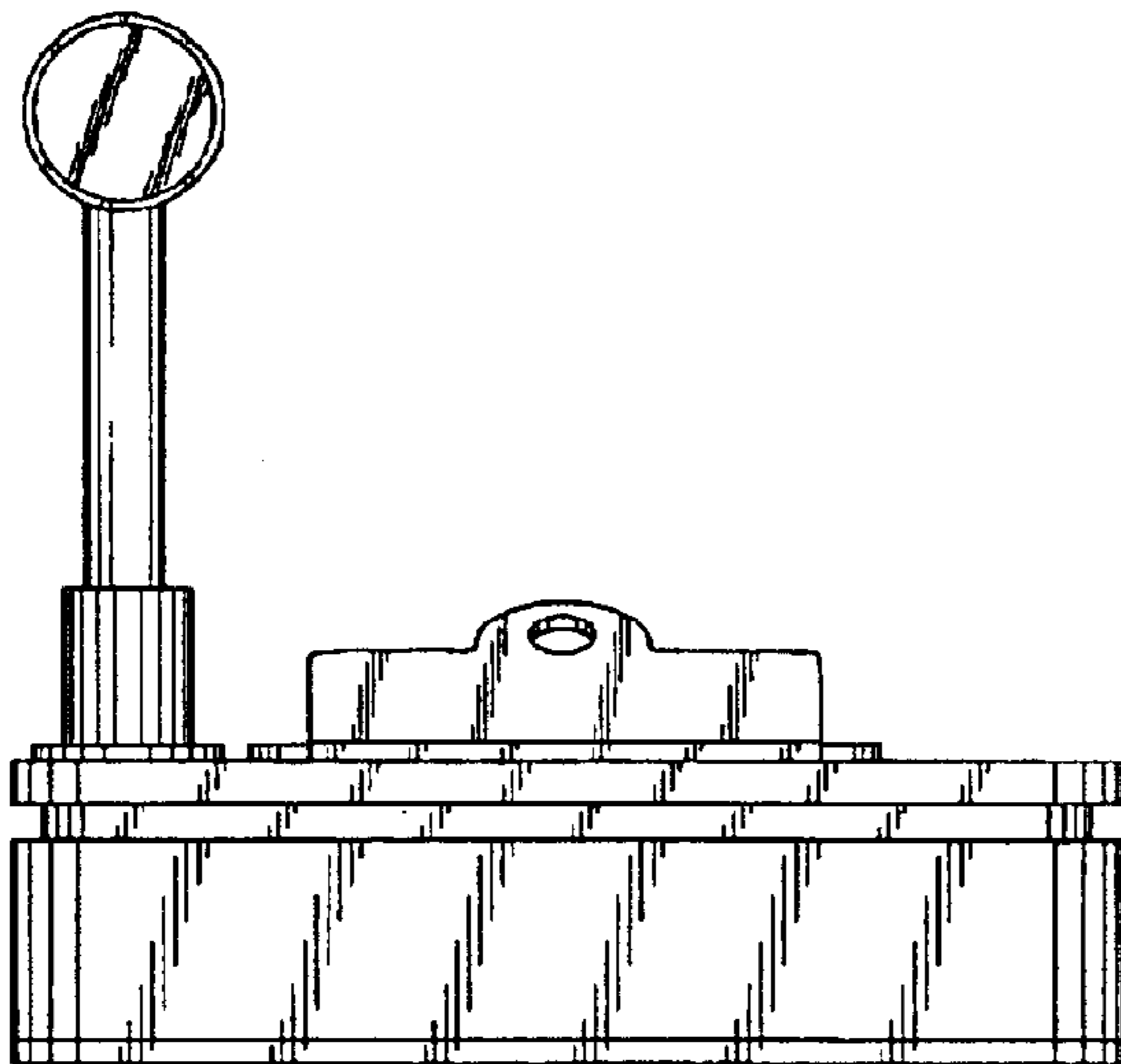


Fig. 4

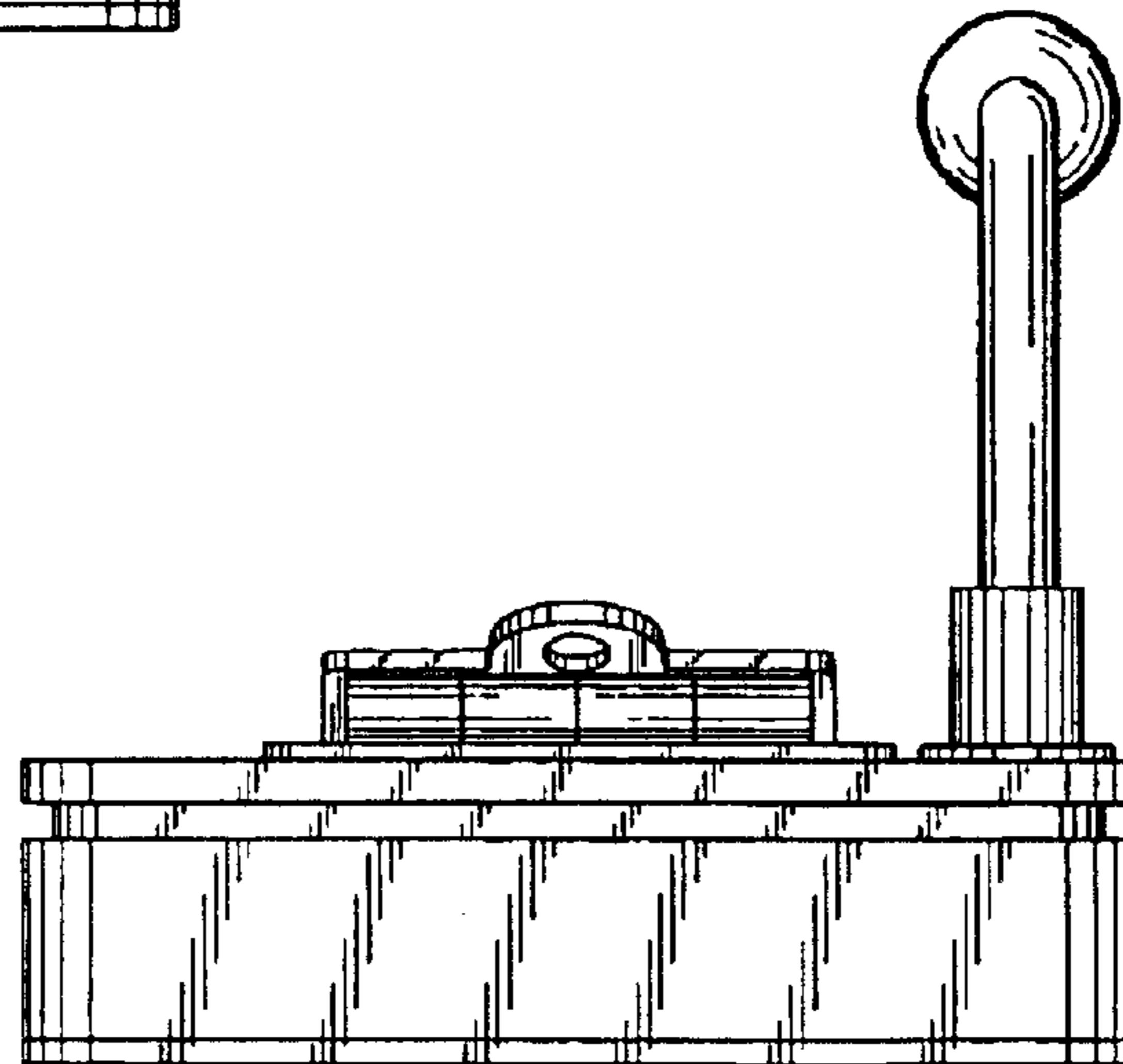


Fig. 5

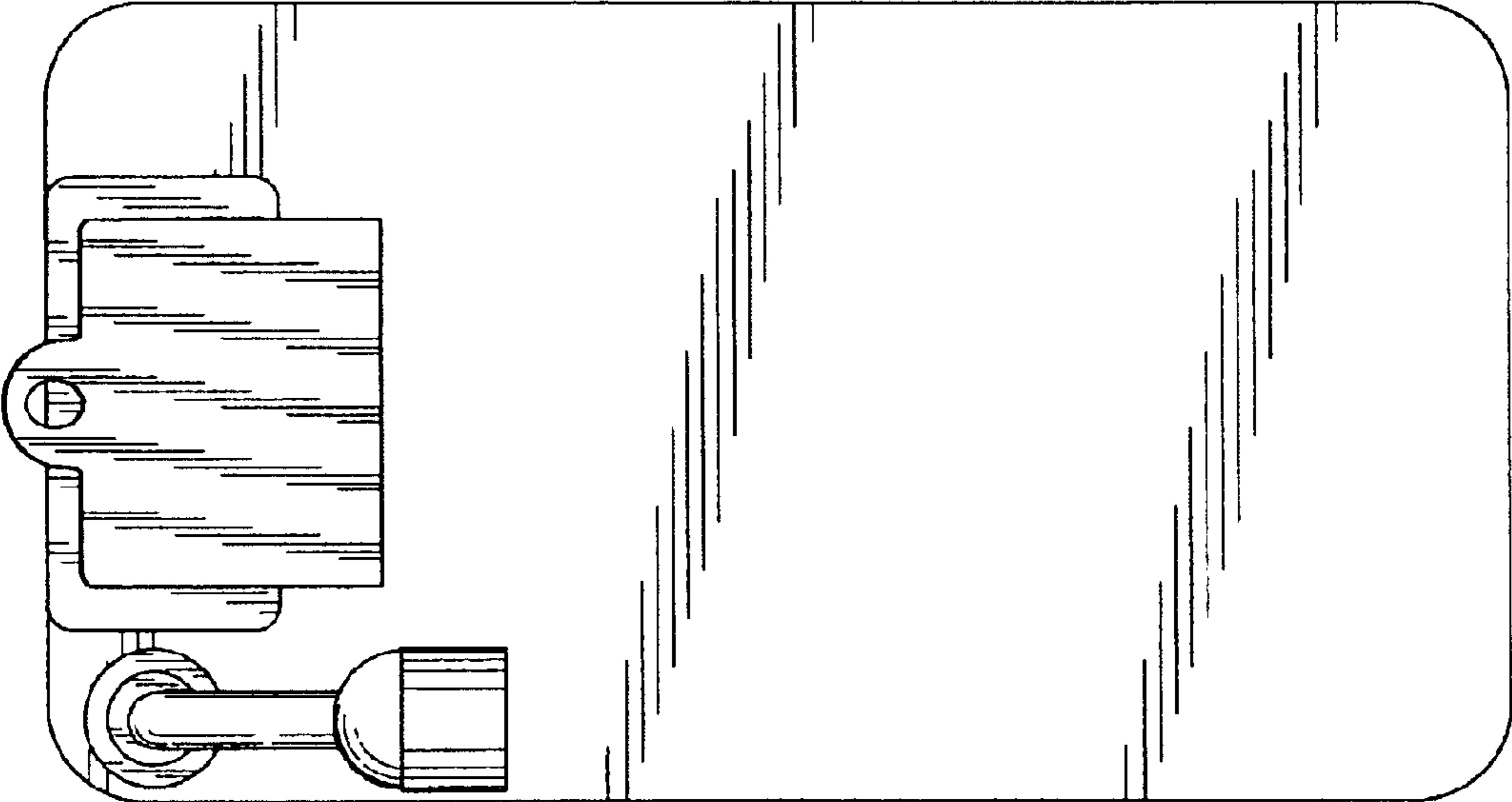


Fig. 6

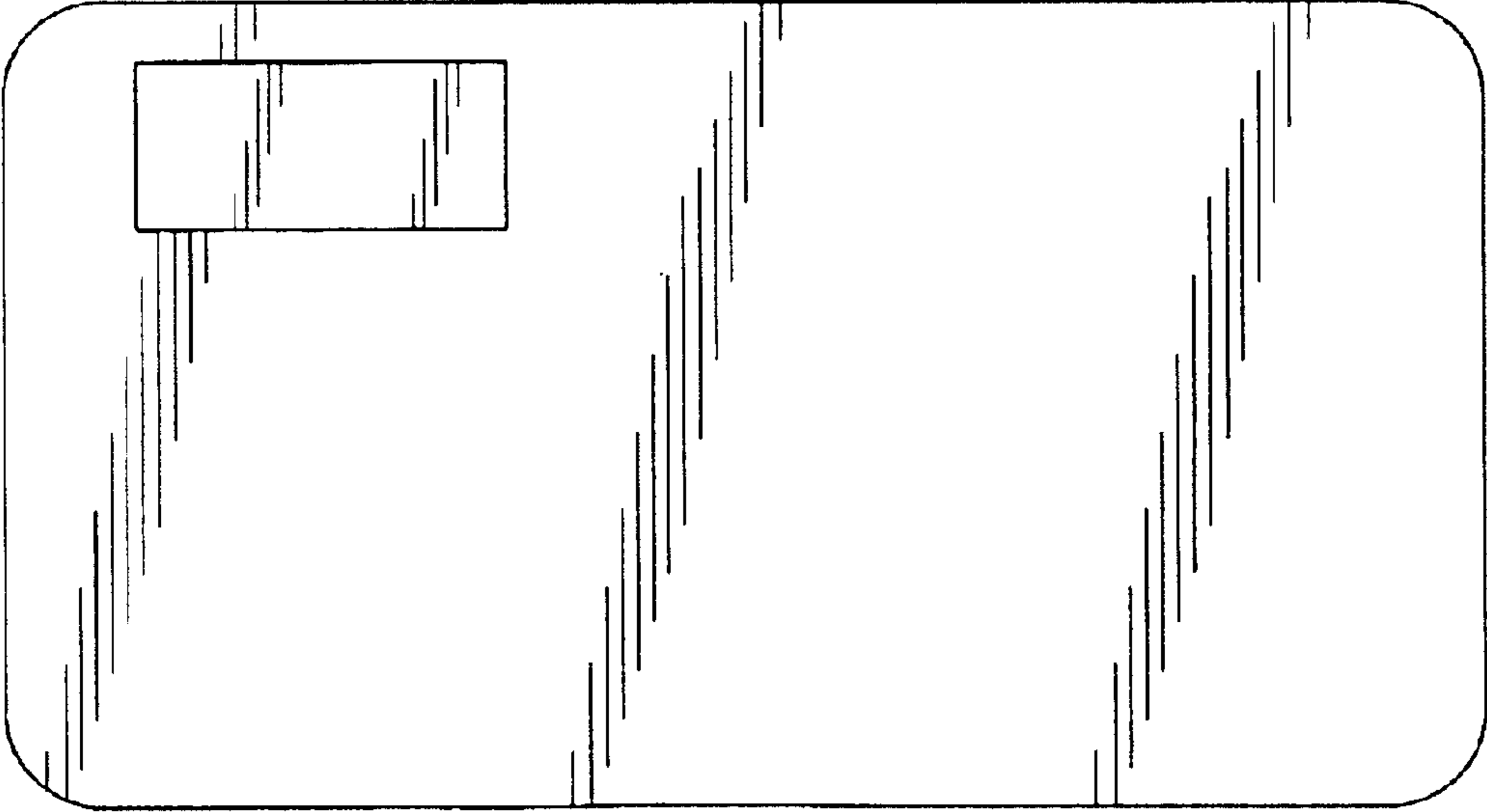


Fig. 7