

US00D498553S

(12) **United States Design Patent** (10) **Patent No.:** **US D498,553 S**
Lee (45) **Date of Patent:** **** Nov. 16, 2004**

(54) **LIGHT DEVICE**

Primary Examiner—Marcus A. Jackson

(76) **Inventor:** **Wen-Sung Lee**, P.O. Box 63-298,
Taichung (TW), 406

(57) **CLAIM**

The ornamental design for a light device, as shown and described.

(**) **Term:** **14 Years**

DESCRIPTION

(21) **Appl. No.:** **29/203,705**

FIG. 1 is a perspective view of a light device showing my new design;

(22) **Filed:** **Apr. 6, 2004**

FIG. 2 is a front elevational view thereof;

(51) **LOC (7) Cl.** **26-02**

FIG. 3 is a rear elevational view thereof;

(52) **U.S. Cl.** **D26/37**

FIG. 4 is a top plan view thereof;

(58) **Field of Search** D26/37-50; 362/459-468,
362/473-476, 485-487

FIG. 5 is a bottom plan view thereof;

(56) **References Cited**

FIG. 6 is a left side elevational view thereof;

U.S. PATENT DOCUMENTS

FIG. 7 is a right side elevational view thereof; and,

D425,226 S * 5/2000 Galli D26/37

FIG. 8 is a perspective view thereof, showing my new design, the keys and the key rings depicted by means of broken lines being for illustrative purposes only and forming no part of the claimed design.

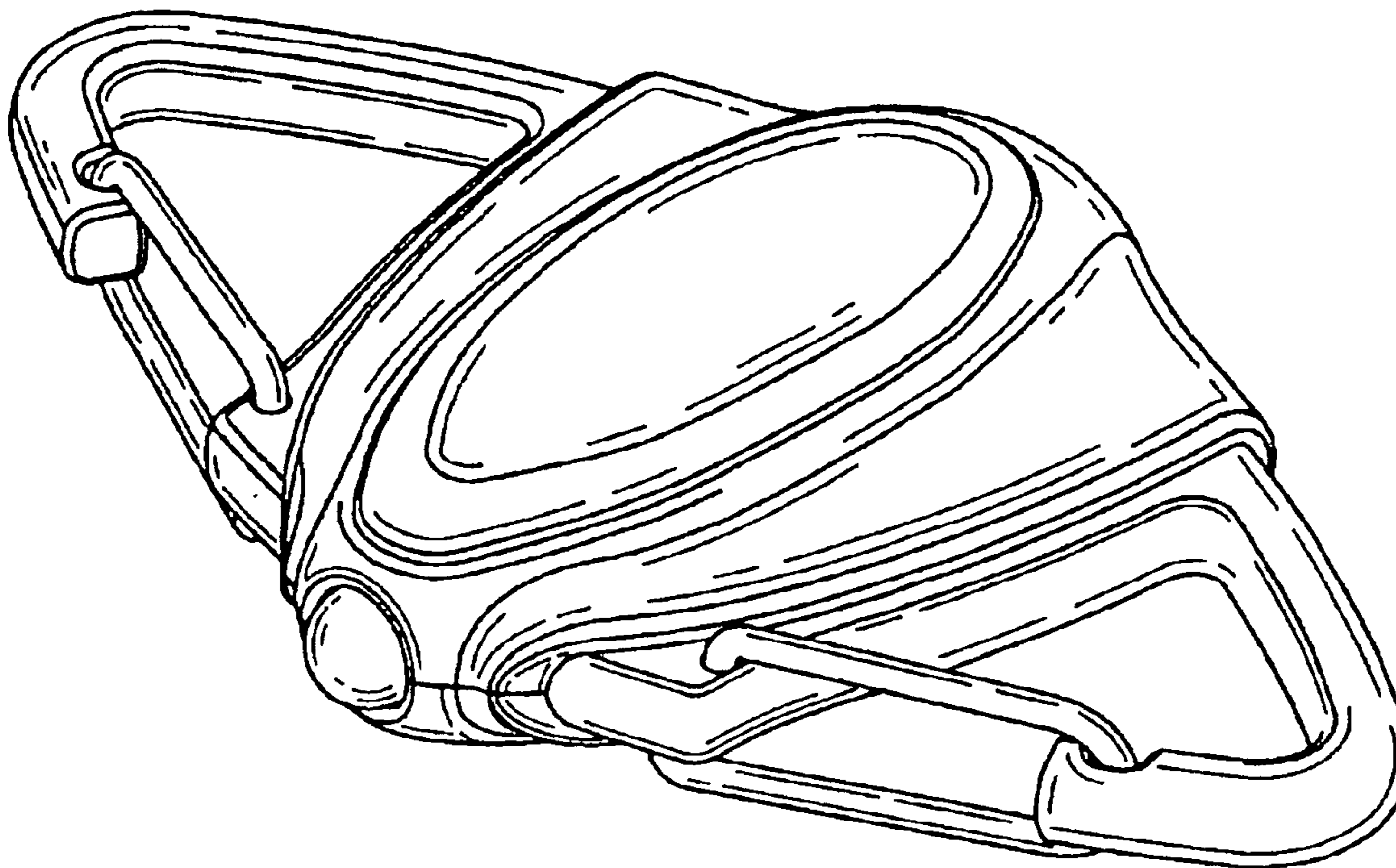
D443,370 S * 6/2001 Yu D26/37

D457,670 S * 5/2002 Allen D26/37

D480,490 S * 10/2003 Lai D26/37

* cited by examiner

1 Claim, 6 Drawing Sheets



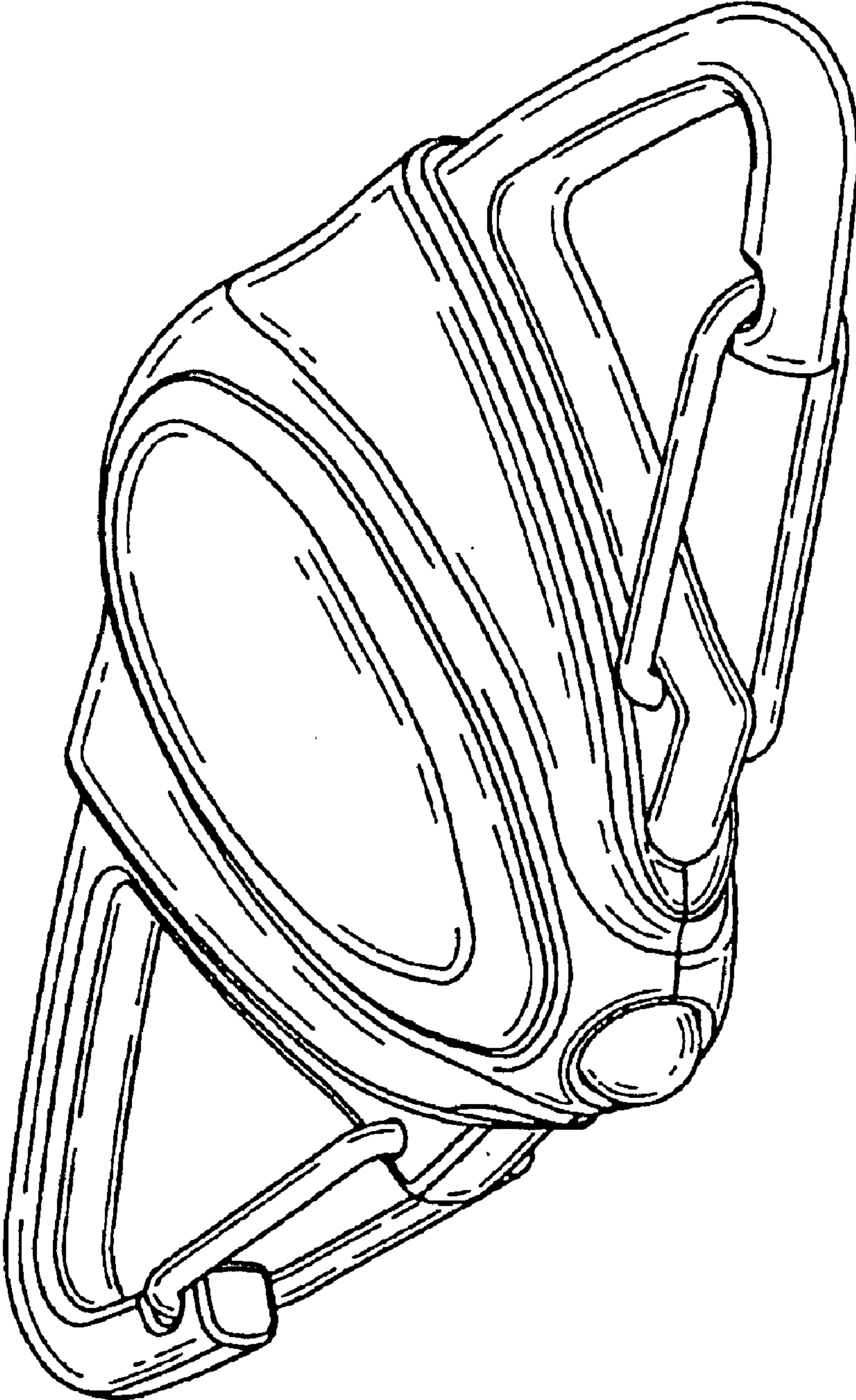


FIG. 1

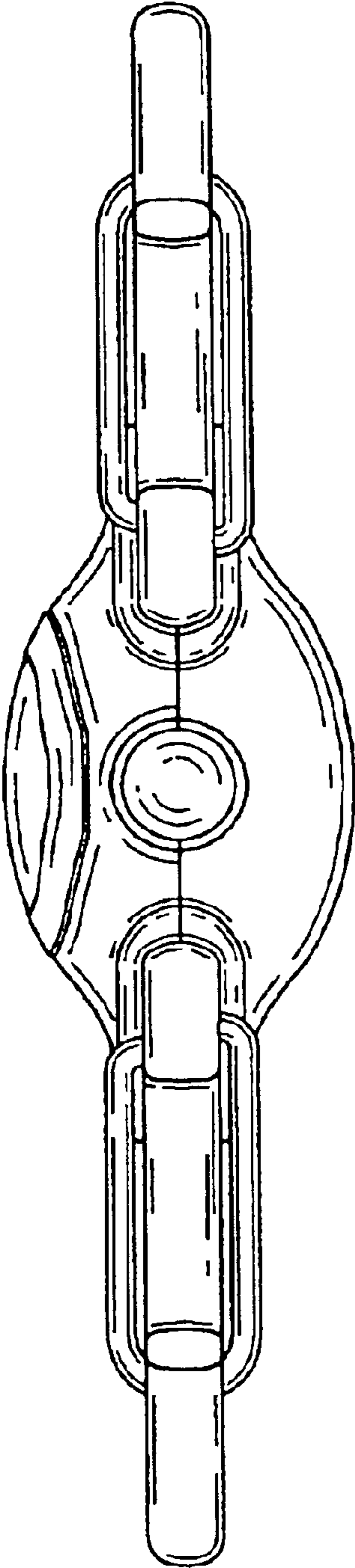


FIG. 2

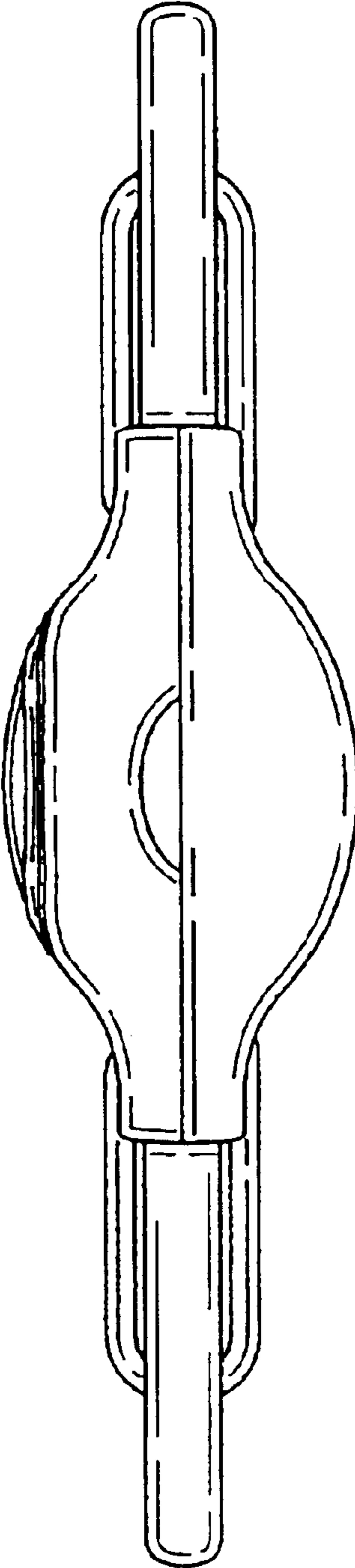


FIG. 3

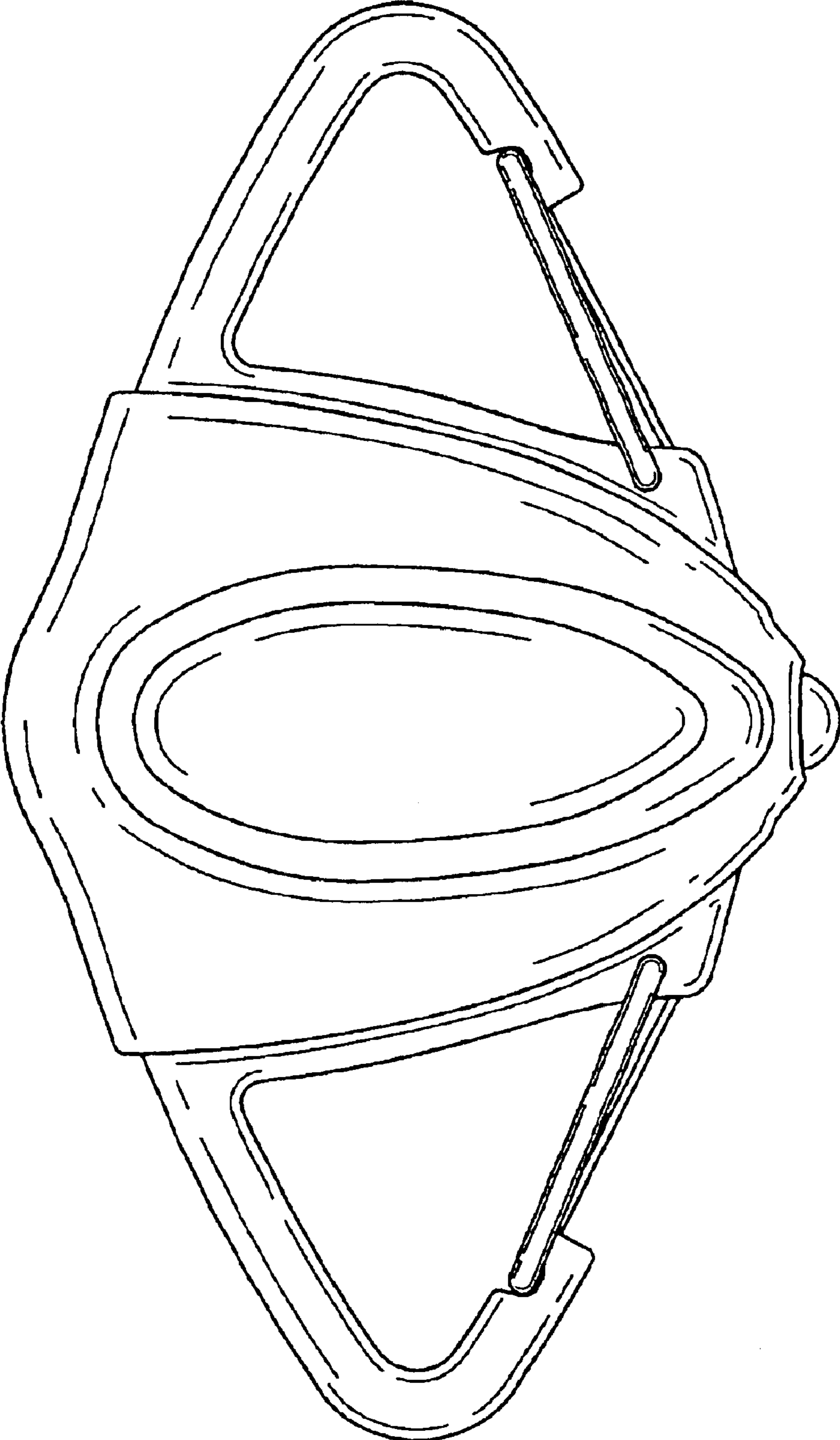


FIG. 4

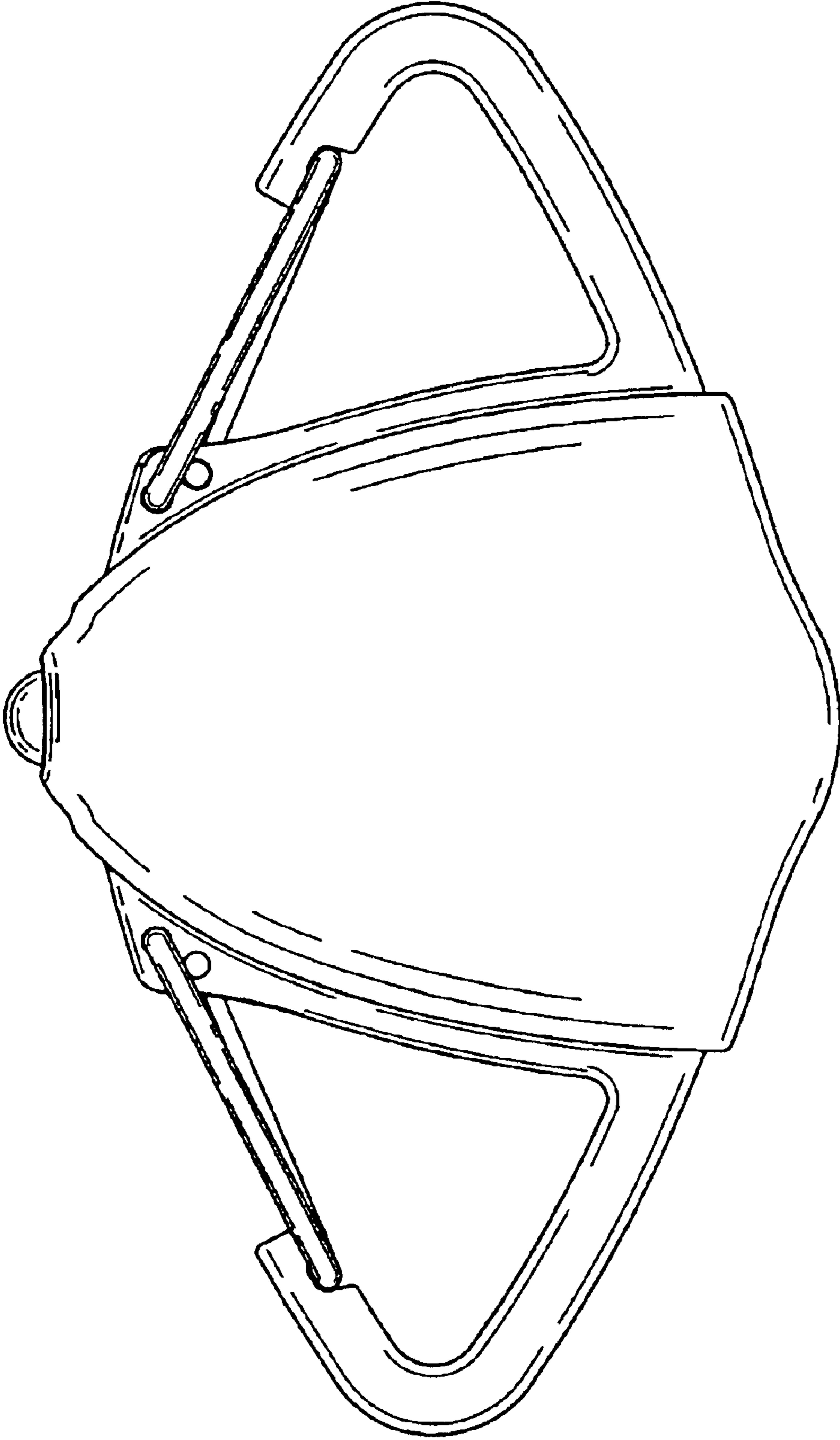


FIG. 5

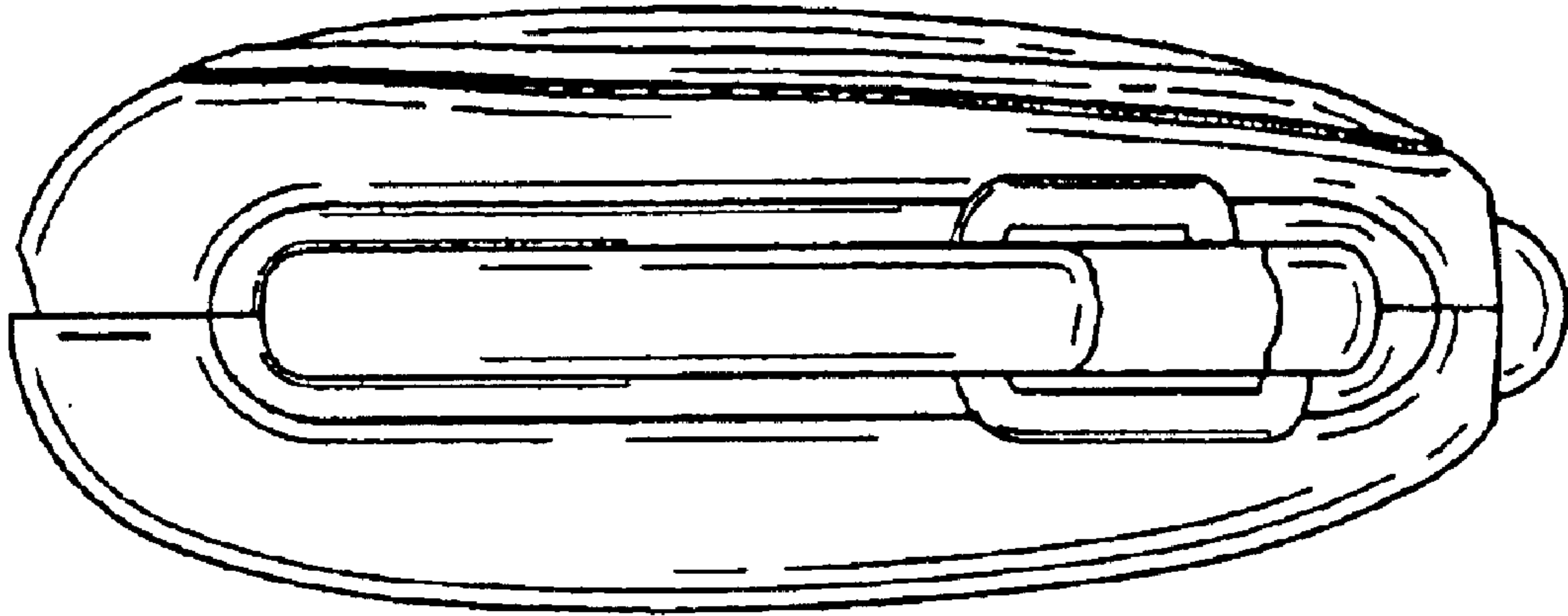


FIG. 6

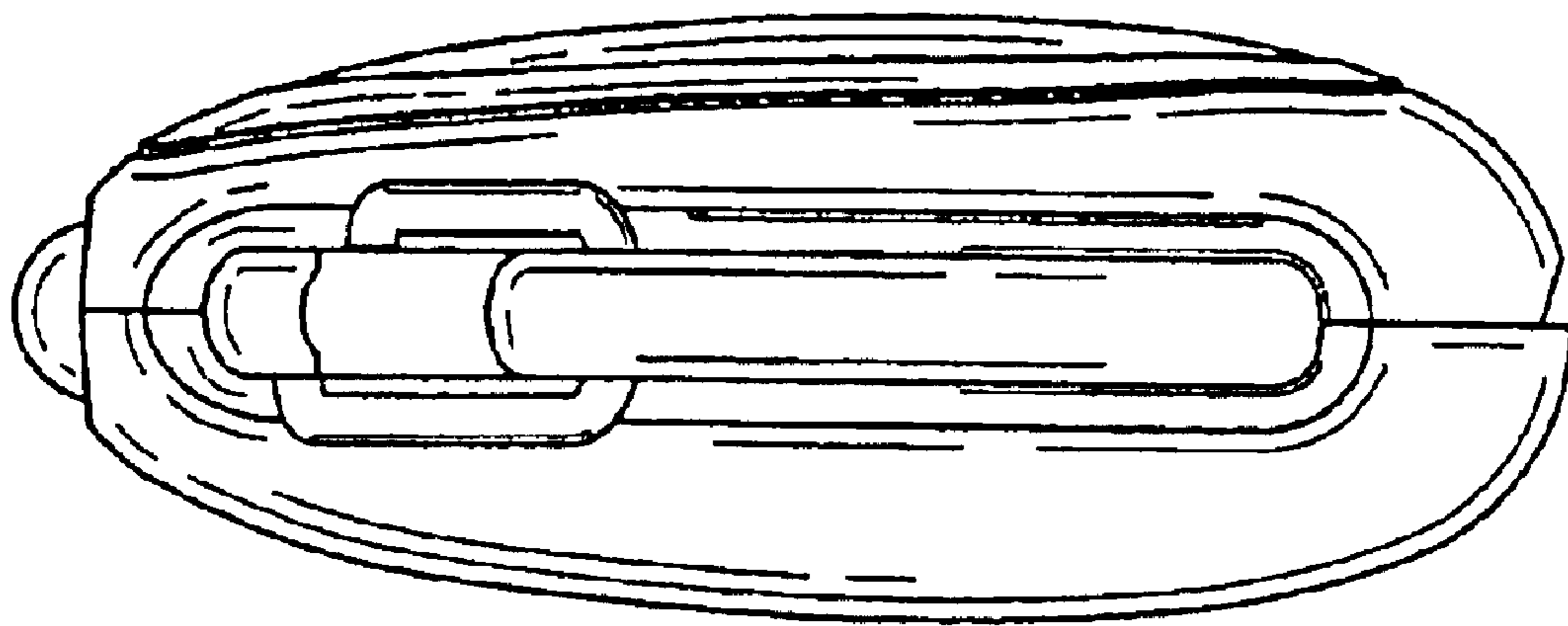


FIG. 7

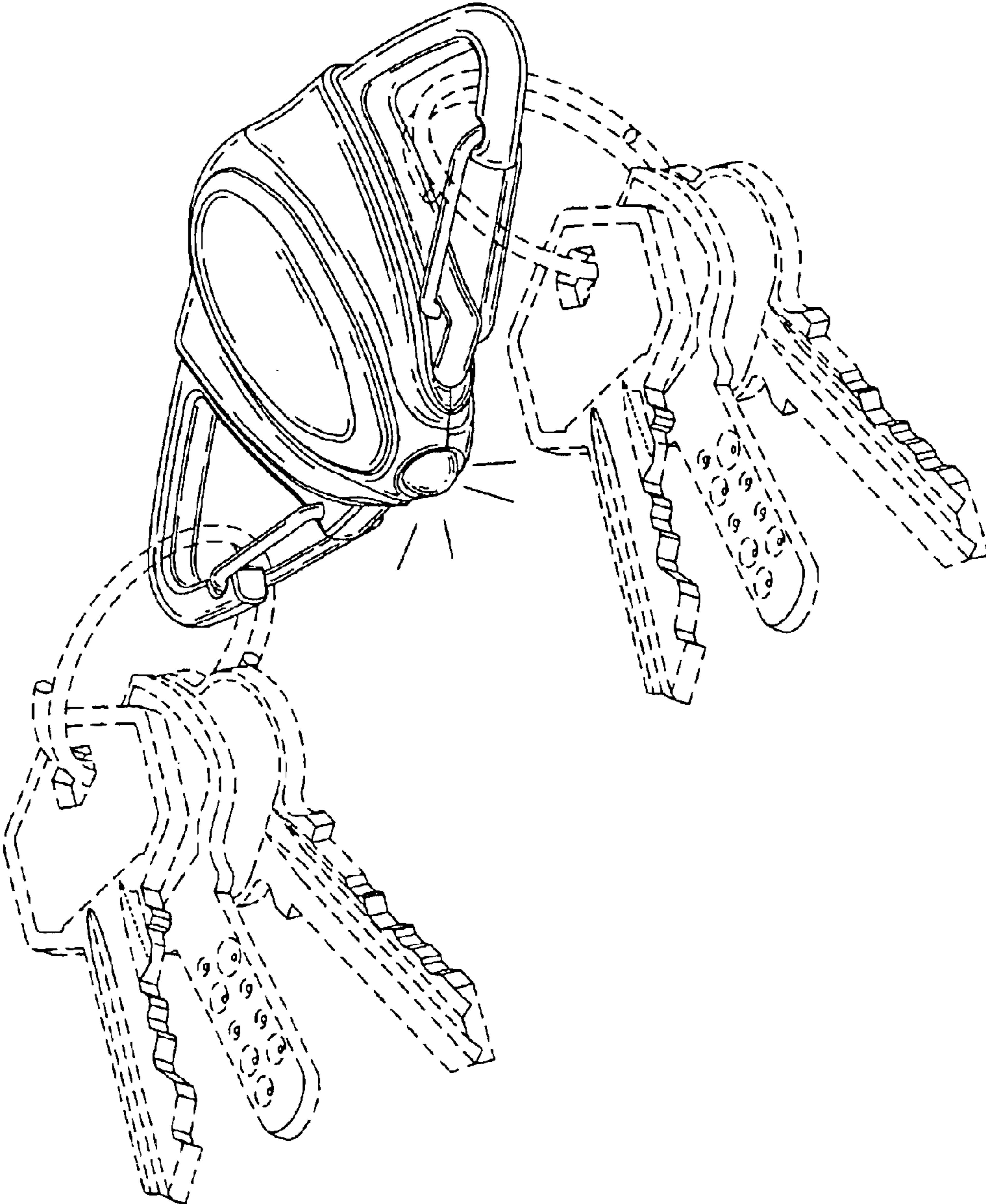


FIG. 8