

US00D498552S

(12) **United States Design Patent**
Chen

(10) **Patent No.:** **US D498,552 S**

(45) **Date of Patent:** **** Nov. 16, 2004**

(54) **ELECTRIC TORCH**

D489,469 S * 5/2004 Liou D26/37

(75) Inventor: **Tony Chen**, Keelung (TW)

* cited by examiner

(73) Assignee: **Quarton, Inc.**, Taiwan (CN)

Primary Examiner—Marcus A. Jackson

(**) Term: **14 Years**

(74) *Attorney, Agent, or Firm*—Raymond Sun

(21) Appl. No.: **29/203,152**

(57) **CLAIM**

(22) Filed: **Apr. 8, 2004**

The ornamental design for the electric torch, as shown and described.

(30) **Foreign Application Priority Data**

DESCRIPTION

Feb. 10, 2004 (TW) 93300688

FIG. 1 is a perspective view of an “electric torch” showing my design;

(51) **LOC (7) Cl.** **26-02**

FIG. 2 is a front elevational view thereof;

(52) **U.S. Cl.** **D26/37**

FIG. 3 is a rear elevational view thereof;

(58) **Field of Search** D26/37–50; 362/459–468,
362/473–476, 485–487

FIG. 4 is a left side elevational view thereof;

FIG. 5 is a right side elevational view thereof;

(56) **References Cited**

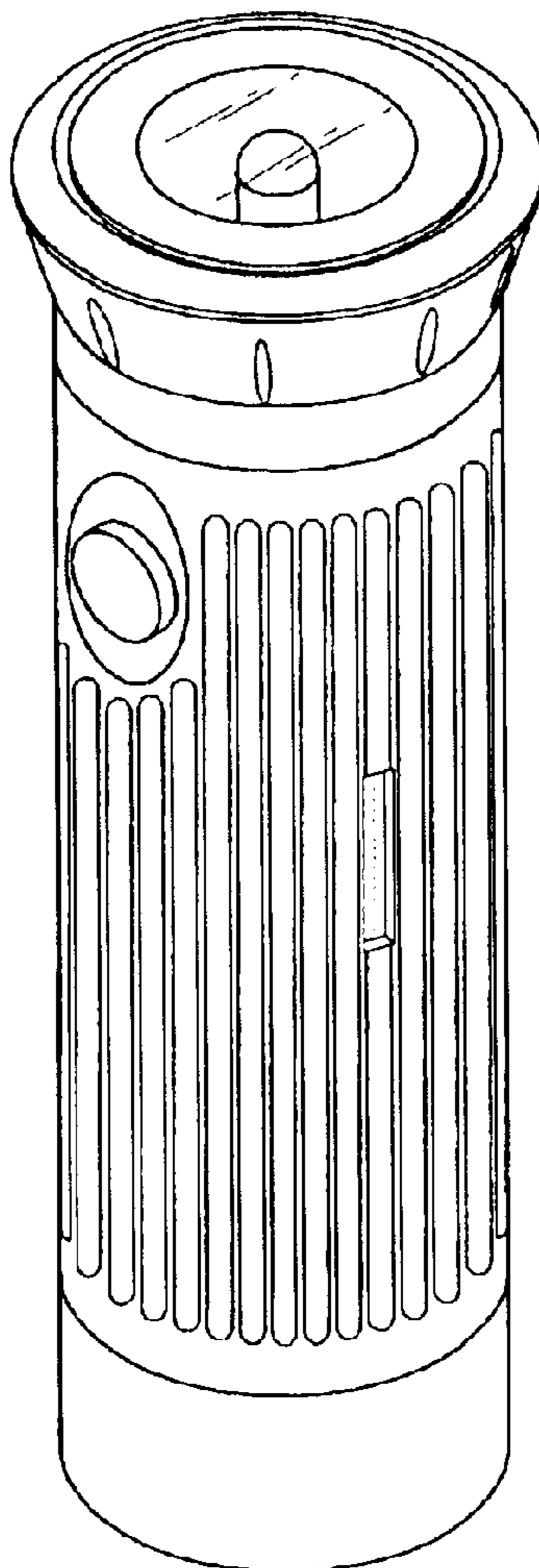
FIG. 6 is a top plan view thereof; and,

FIG. 7 is a bottom plan view thereof.

U.S. PATENT DOCUMENTS

D468,464 S * 1/2003 Galli D26/37

1 Claim, 4 Drawing Sheets



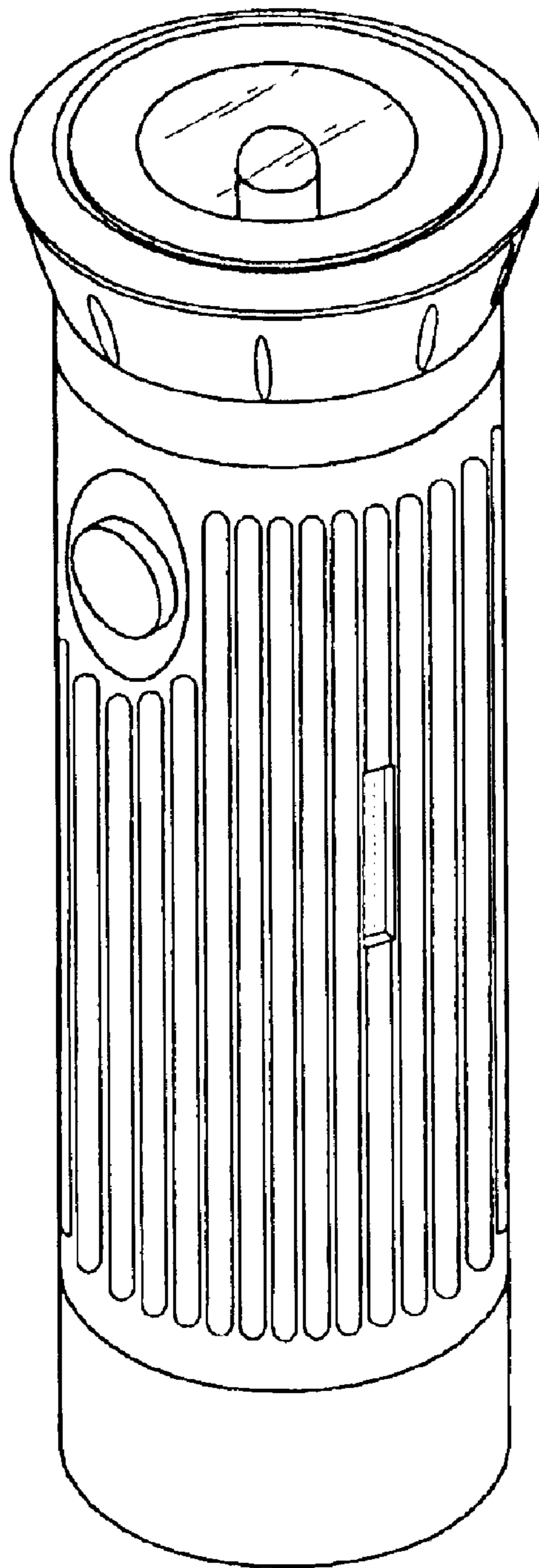


FIG. 1

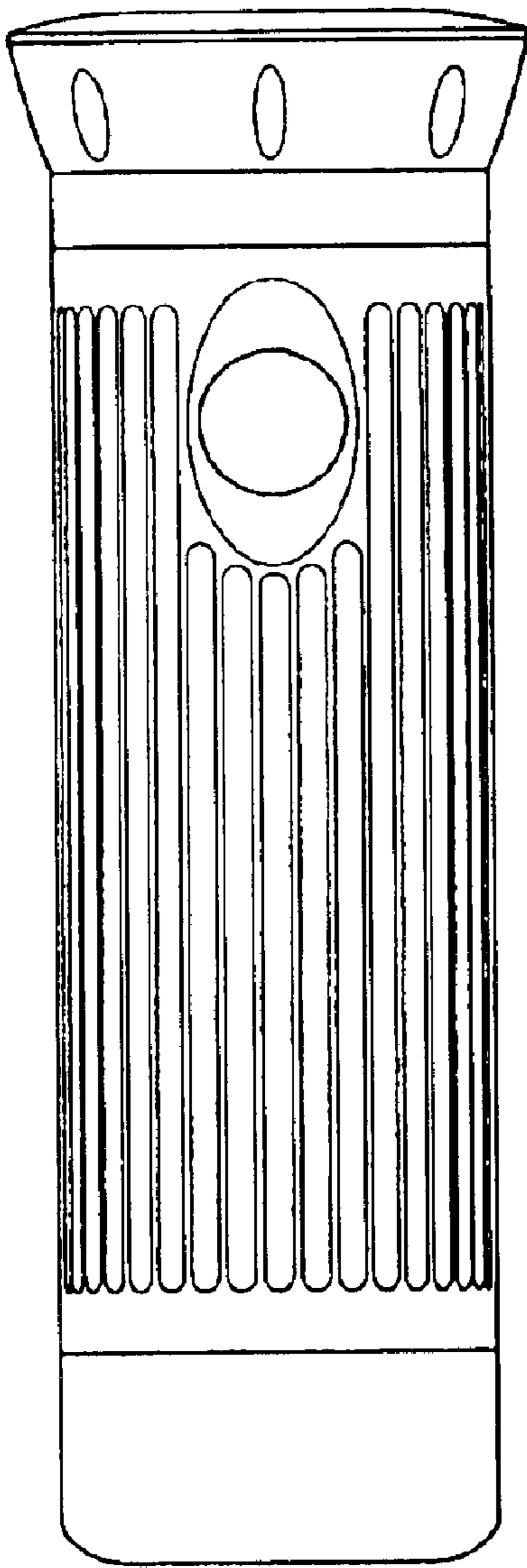


FIG. 2

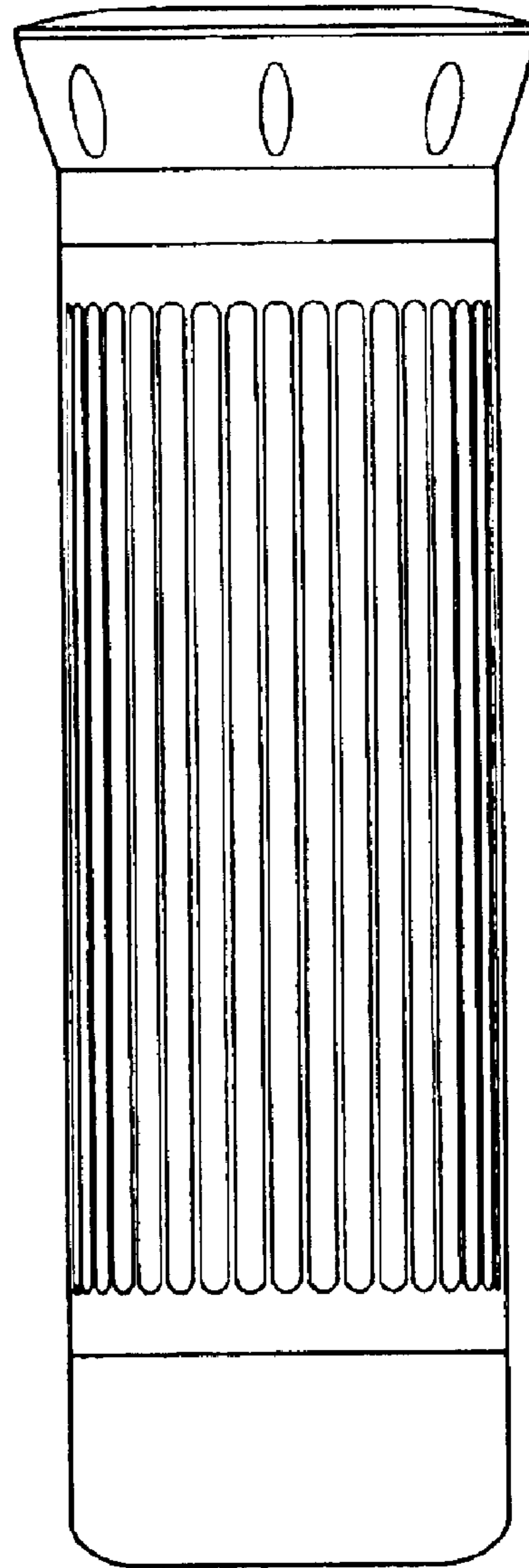


FIG. 3

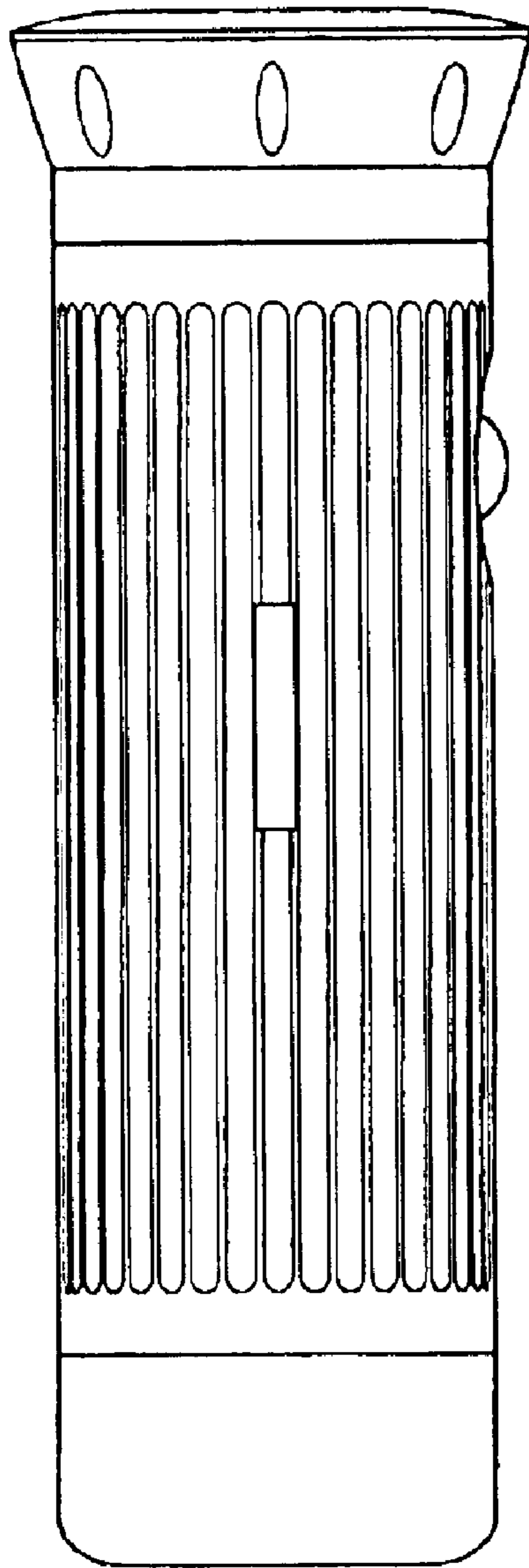


FIG. 4

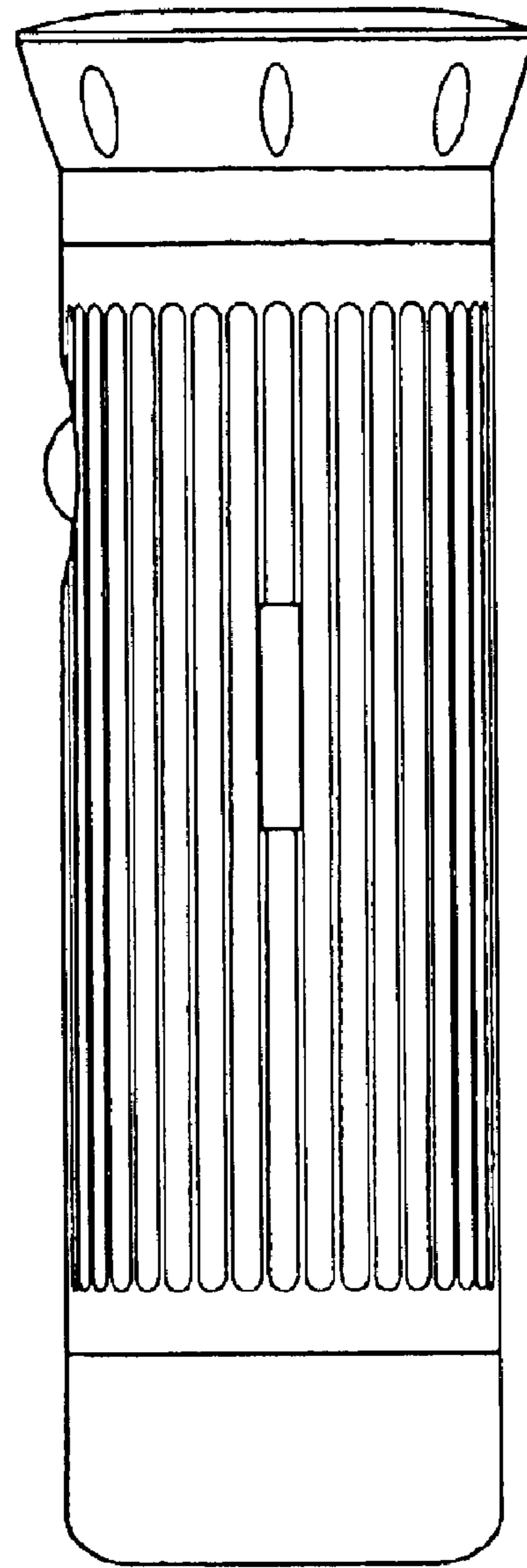


FIG. 5

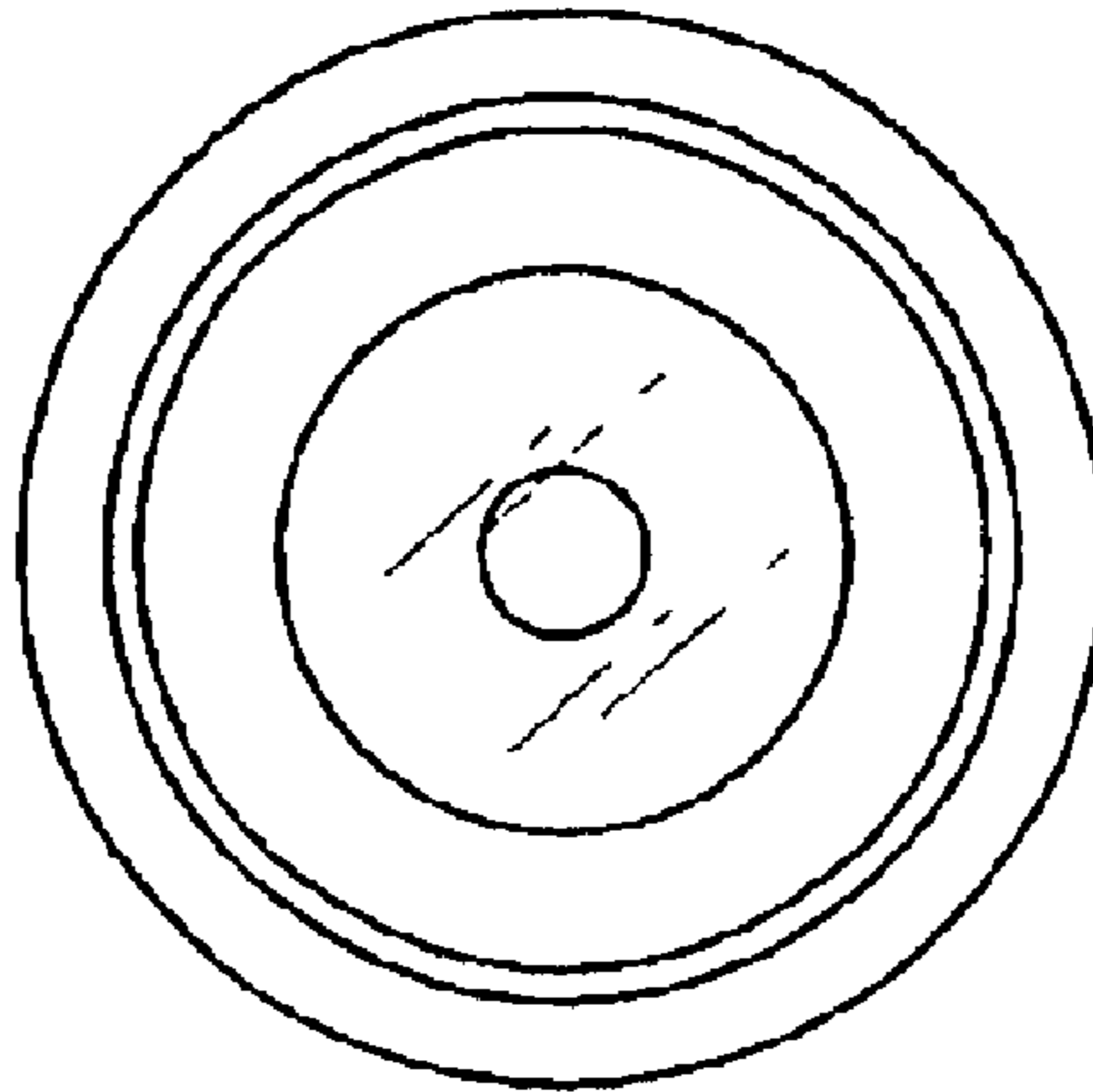


FIG. 6

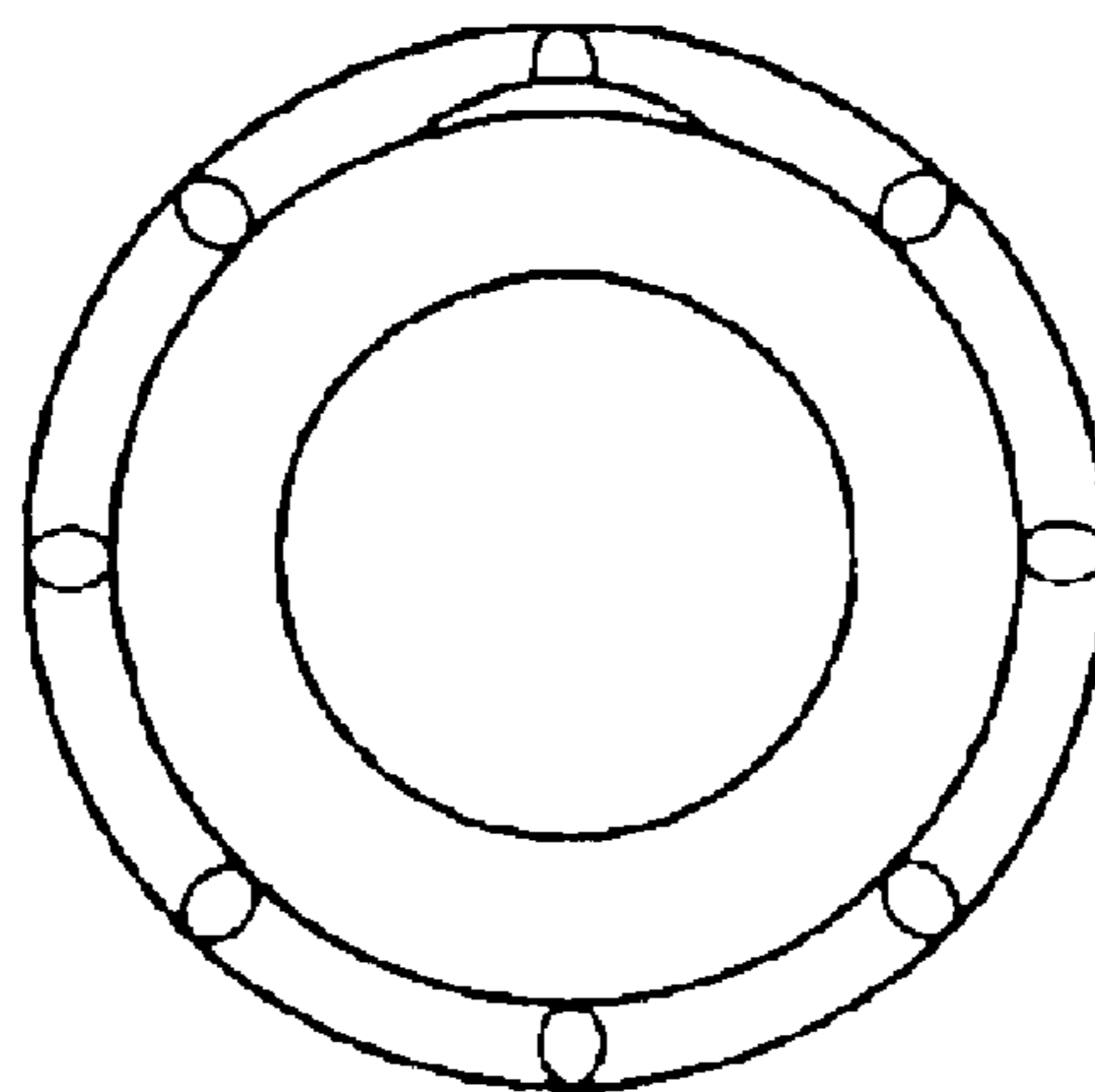


FIG. 7