



US00D498551S

(12) **United States Design Patent**
Chan

(10) **Patent No.:** **US D498,551 S**

(45) **Date of Patent:** **** Nov. 16, 2004**

(54) **BOOK LIGHT WITH CLIP**

D439,688 S * 3/2001 Suzuki D26/37
D452,020 S * 12/2001 Hong D26/37
D464,453 S * 10/2002 Cramer et al. D26/37

(75) Inventor: **Sik-Leung Chan**, New Territories (HK)

* cited by examiner

(73) Assignee: **C. C. & L Company Limited**, Hong Kong (CN)

Primary Examiner—Marcus A. Jackson

(**) Term: **14 Years**

(74) *Attorney, Agent, or Firm*—Alix, Yale & Ristas, LLP

(21) Appl. No.: **29/202,849**

(57) **CLAIM**

(22) Filed: **Apr. 6, 2004**

The ornamental design for a book light with clip, as shown and described.

(30) **Foreign Application Priority Data**

DESCRIPTION

Jan. 3, 2004 (HK) 0410012

FIG. 1 is a front perspective view of a book light with clip showing my new design;

(51) **LOC (7) Cl.** **26-02**

FIG. 2 is a front elevational view thereof;

(52) **U.S. Cl.** **D26/37**

FIG. 3 is a rear elevational view thereof;

(58) **Field of Search** D26/37-50; 362/157,

FIG. 4 is a top plan view thereof;

362/158, 171-174, 183-208

FIG. 5 is a bottom plan view thereof;

FIG. 6 is a left side elevational view thereof;

(56) **References Cited**

FIG. 7 is a right side elevational view thereof; and,

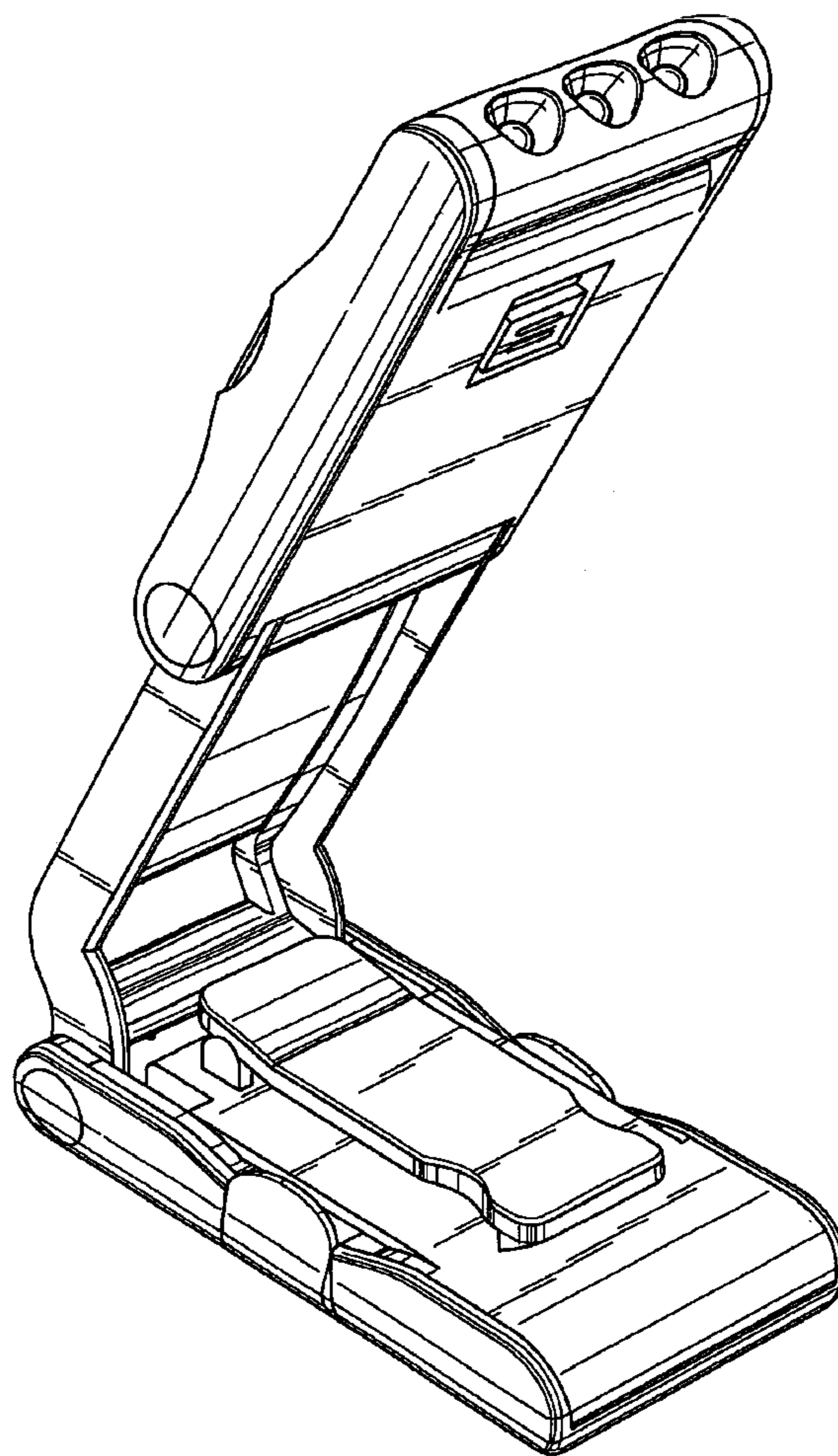
U.S. PATENT DOCUMENTS

FIG. 8 is a front perspective view thereof in an open position.

D414,574 S * 9/1999 Chen D26/37

D439,352 S * 3/2001 Lai D26/37

1 Claim, 5 Drawing Sheets



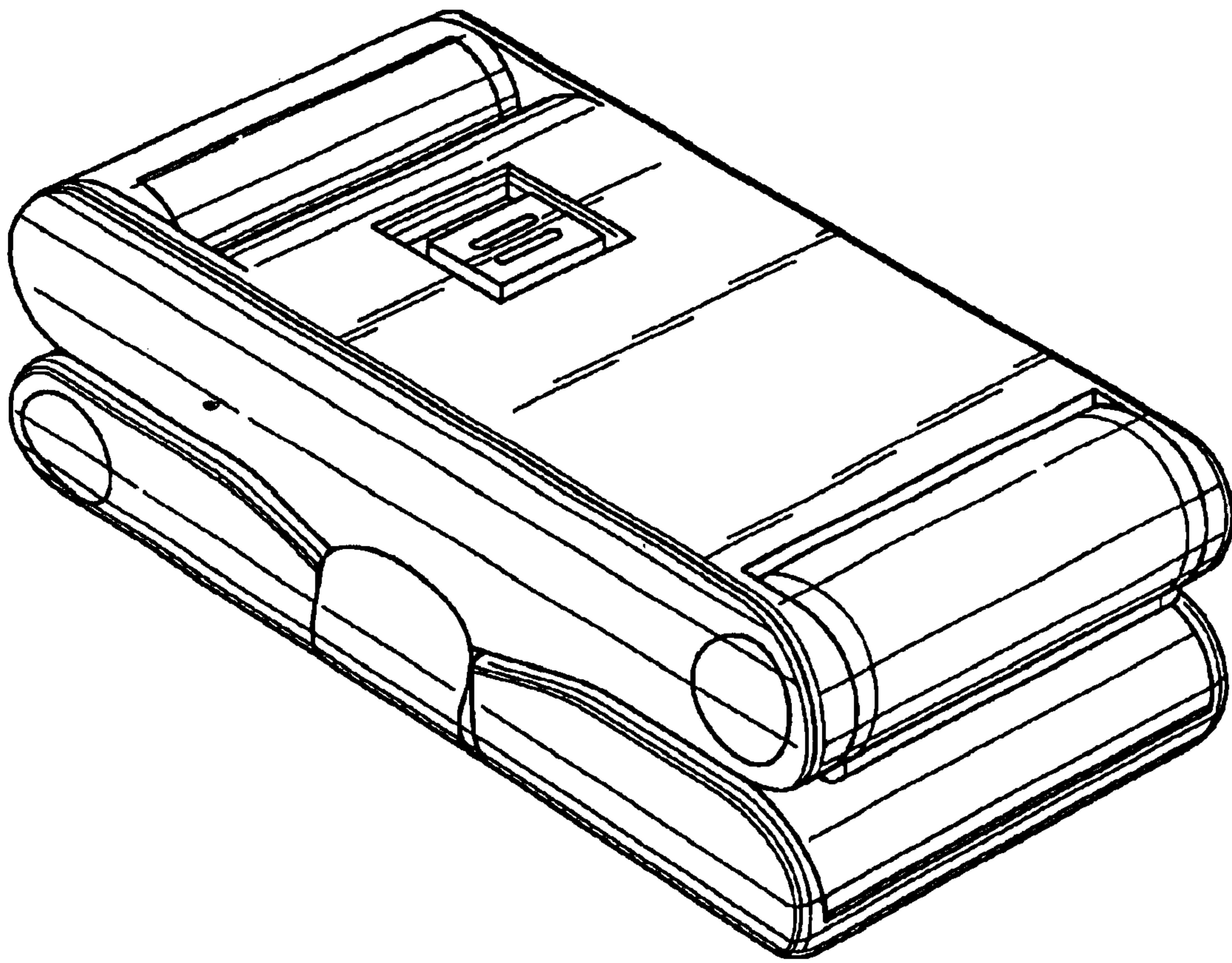


FIG. 1

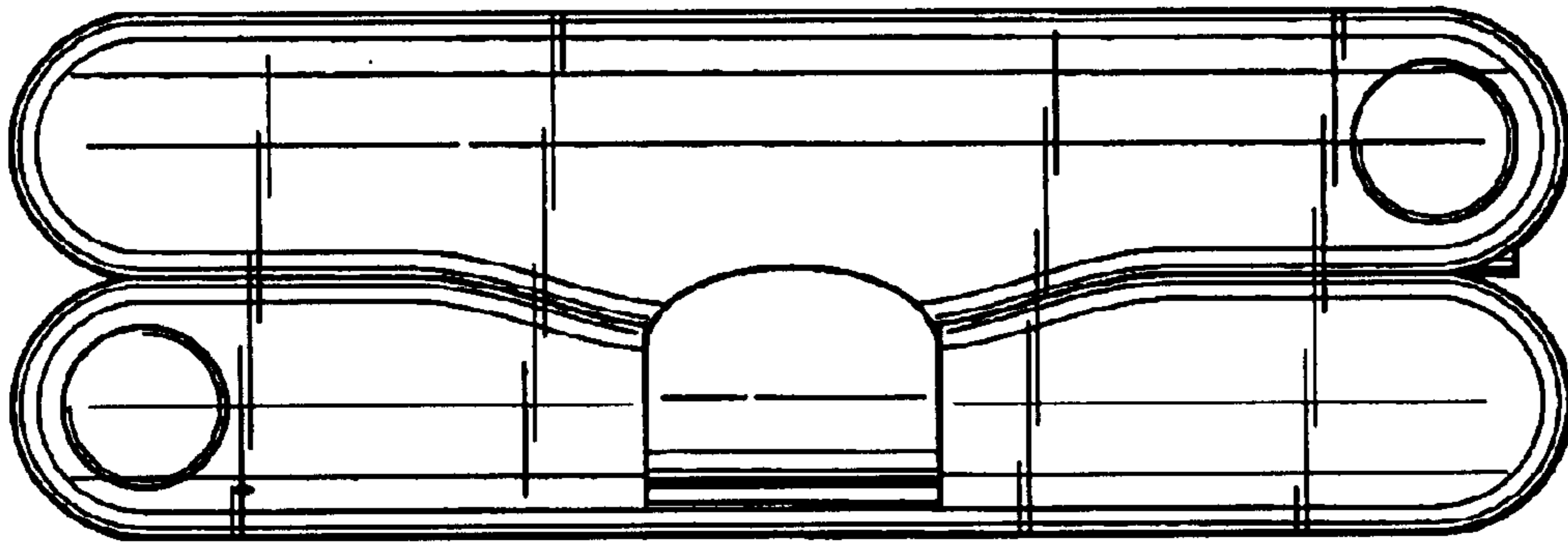


FIG. 2

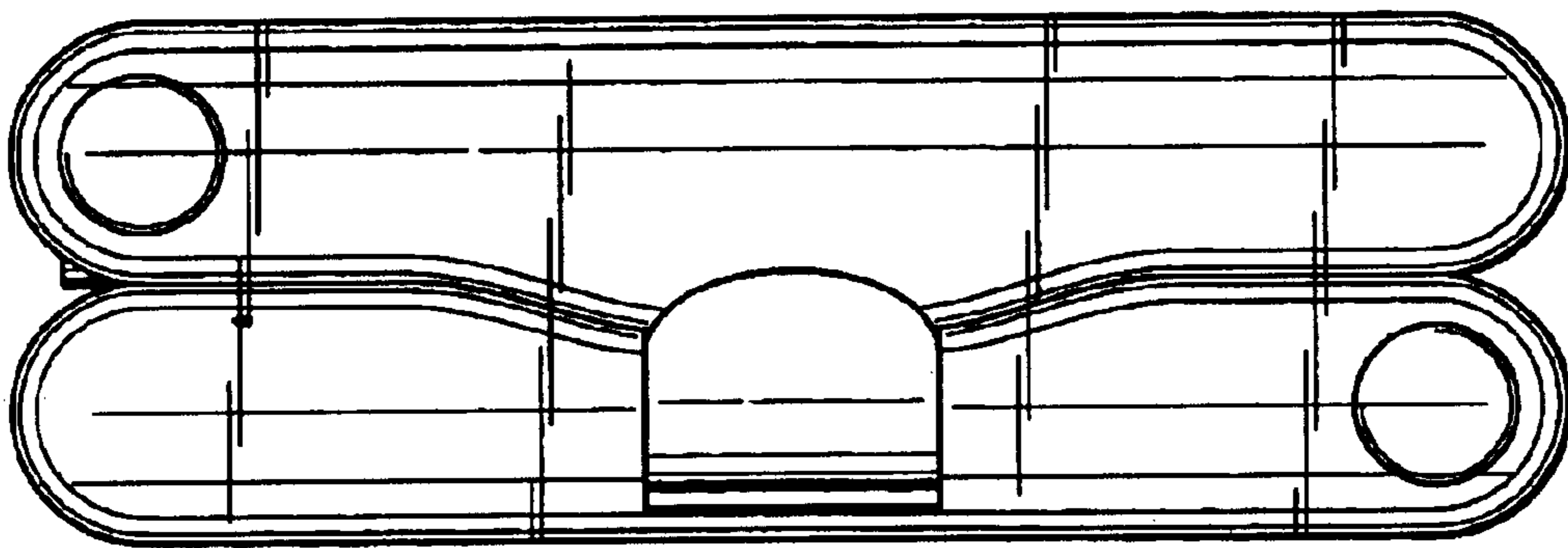


FIG. 3

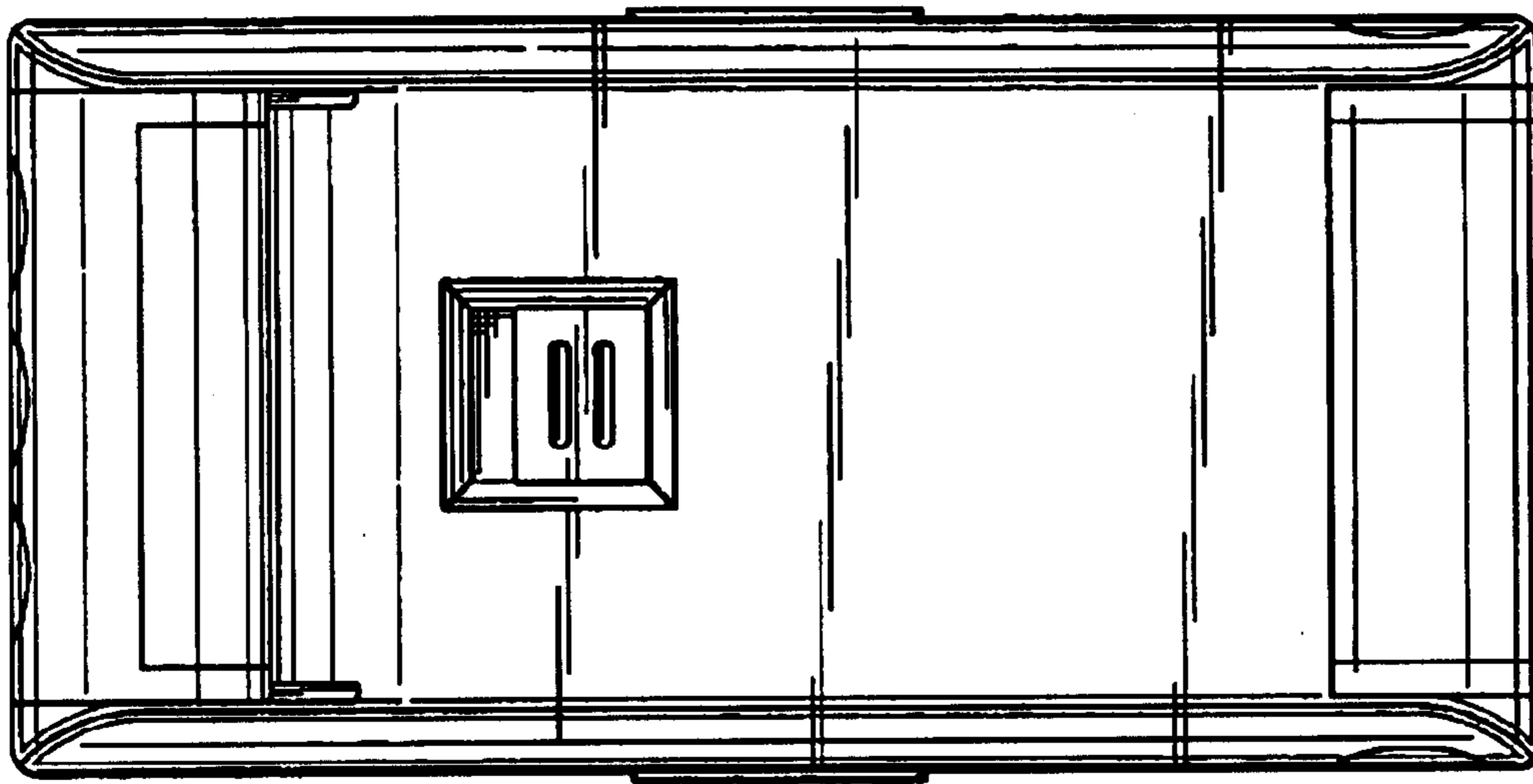


FIG. 4

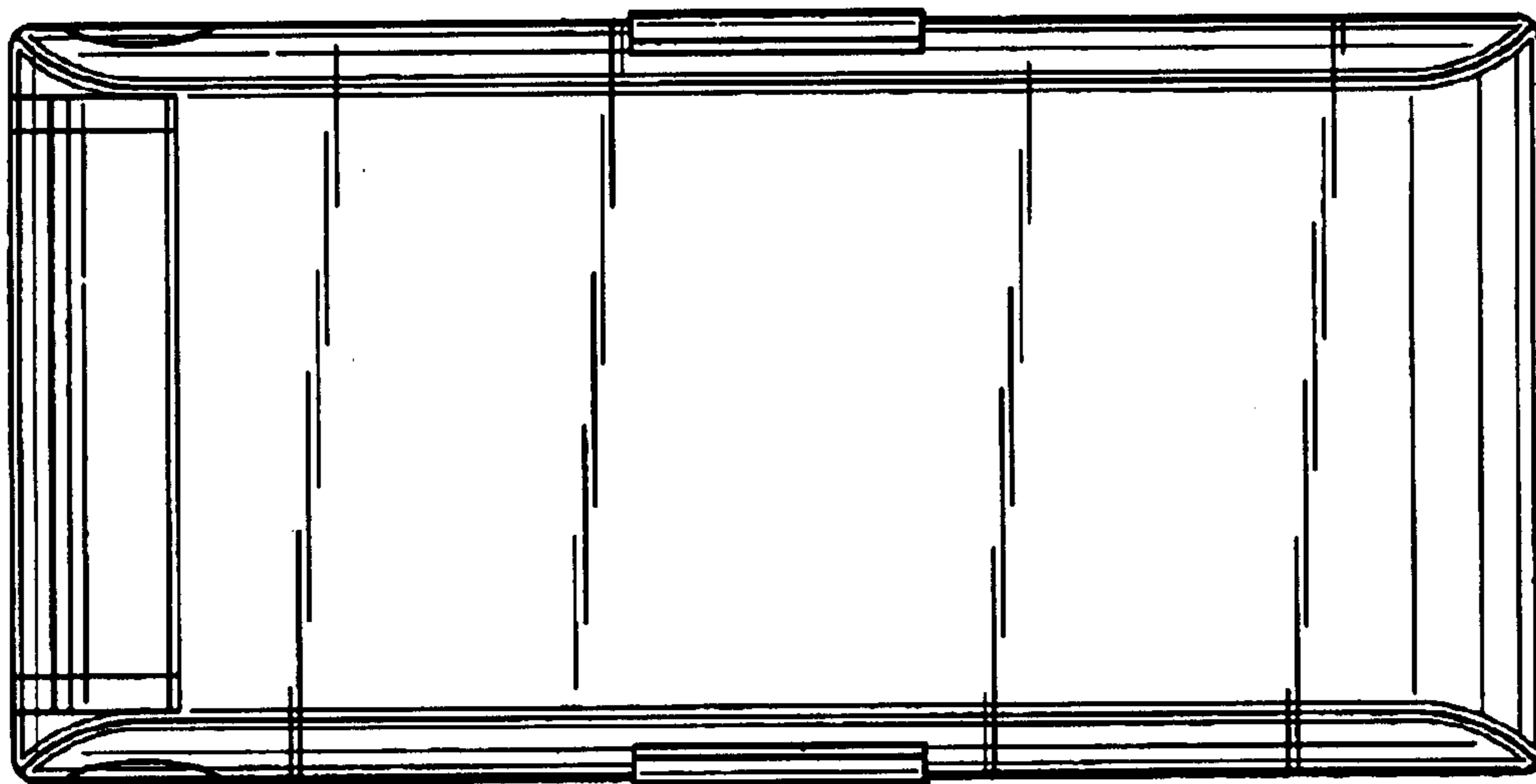


FIG. 5

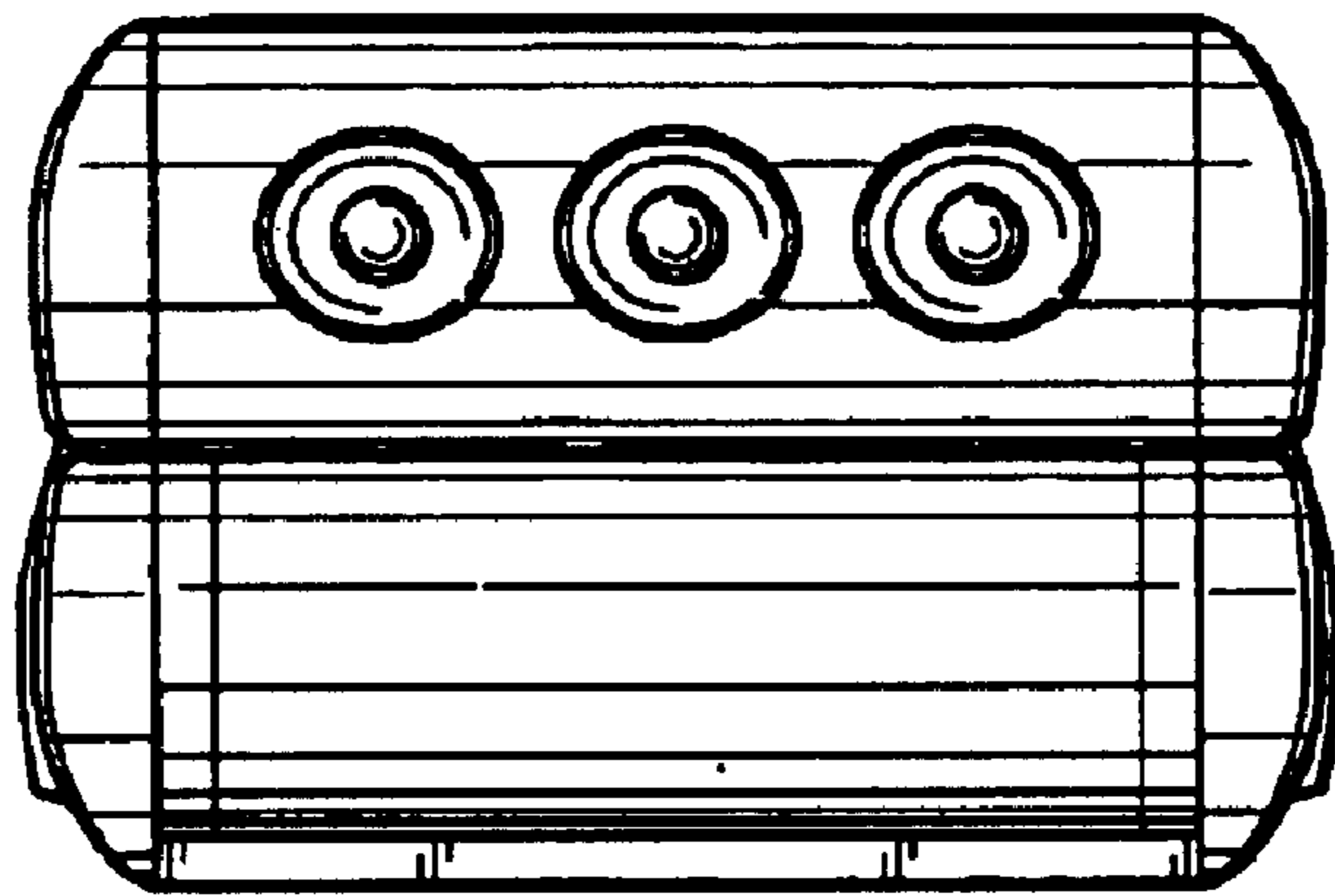


FIG. 6

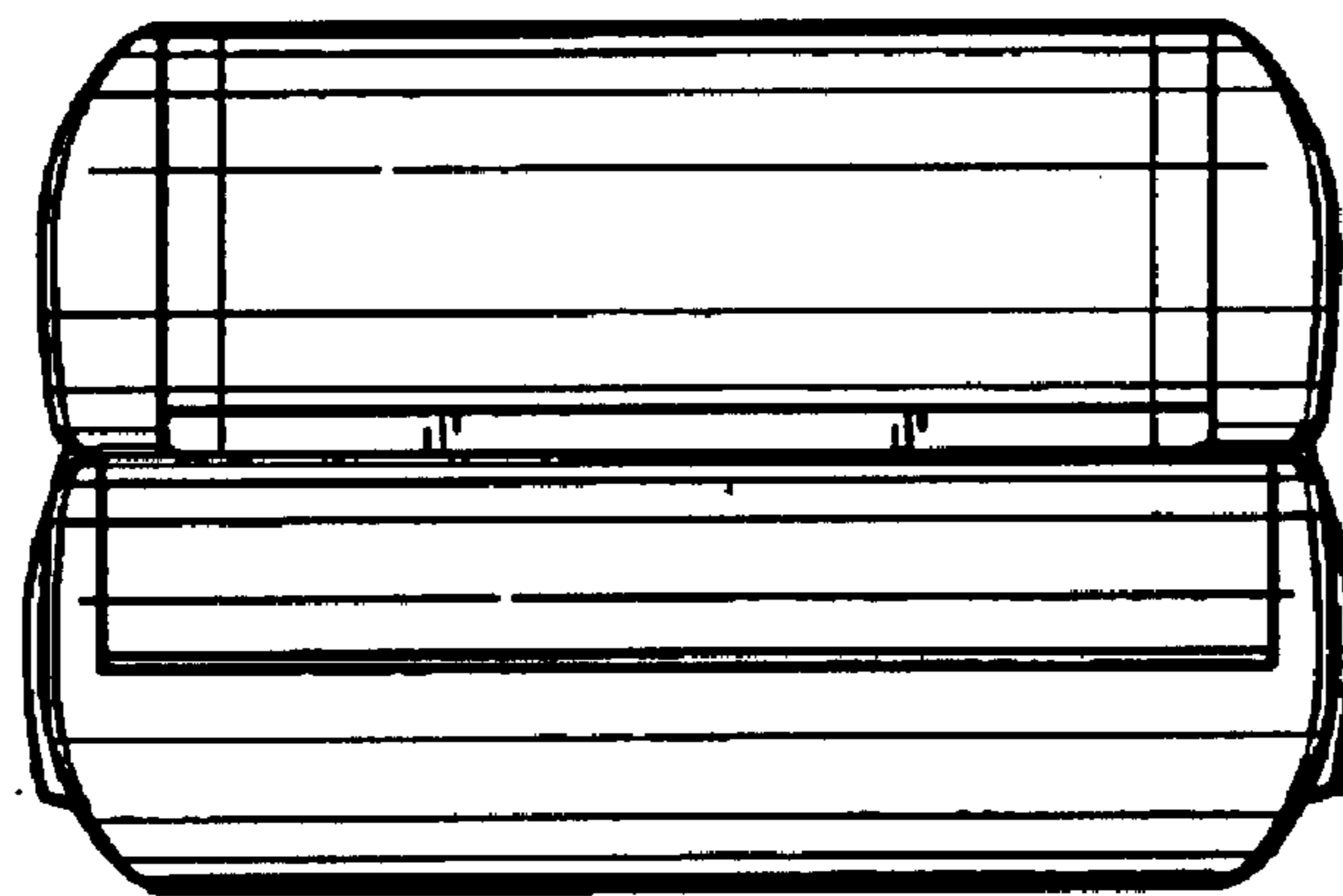


FIG. 7

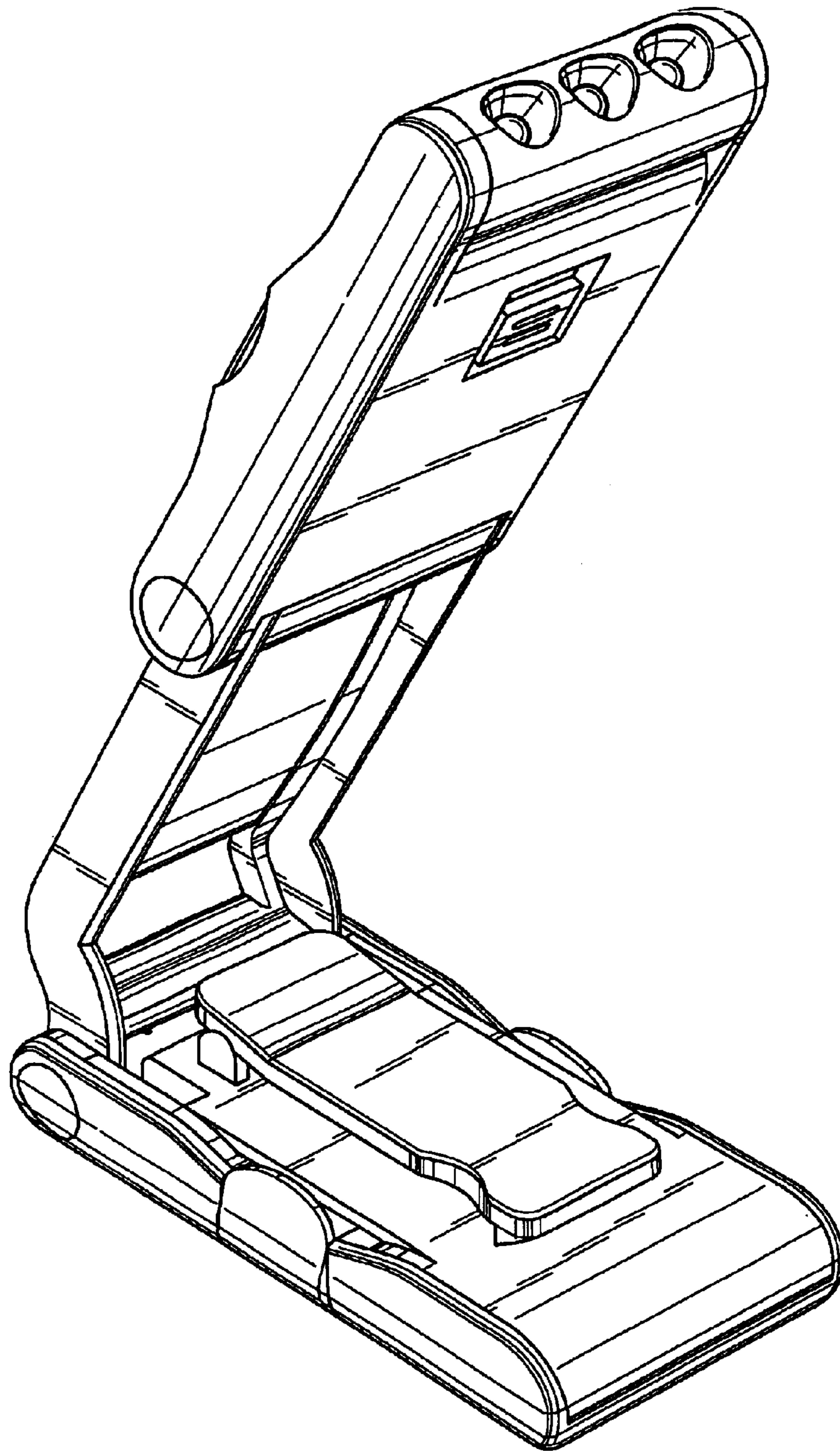


FIG. 8