



US00D498546S

(12) **United States Design Patent**  
**Chuang**

(10) **Patent No.:** **US D498,546 S**

(45) **Date of Patent:** **\*\* Nov. 16, 2004**

(54) **ENCAUSTIC METAL TILE**

(76) **Inventor:** **Sen-Jung Chuang**, No. 90-10, Hsia  
Kwei Jou San, Tan Shui Chen, Taipei  
Hsien (TW)

(\*\*) **Term:** **14 Years**

(21) **Appl. No.:** **29/196,444**

(22) **Filed:** **Dec. 31, 2003**

(51) **LOC (7) Cl.** ..... **25-01**

(52) **U.S. Cl.** ..... **D25/140**

(58) **Field of Search** ..... D25/141, 140,  
D25/143; 52/555, 554, 557, 314

(56) **References Cited**

**U.S. PATENT DOCUMENTS**

D396,118 S \* 7/1998 Saarenko ..... D25/140

D416,338 S \* 11/1999 Yiin ..... D25/140

\* cited by examiner

*Primary Examiner*—Doris Clark

(74) *Attorney, Agent, or Firm*—Troxell Law Office PLLC

(57) **CLAIM**

The ornamental design for encaustic metal tile, as shown and described.

**DESCRIPTION**

FIG. 1 is a perspective view of an encaustic metal tile showing my new design;

FIG. 2 is a front elevational view thereof;

FIG. 3 is a rear elevational view thereof;

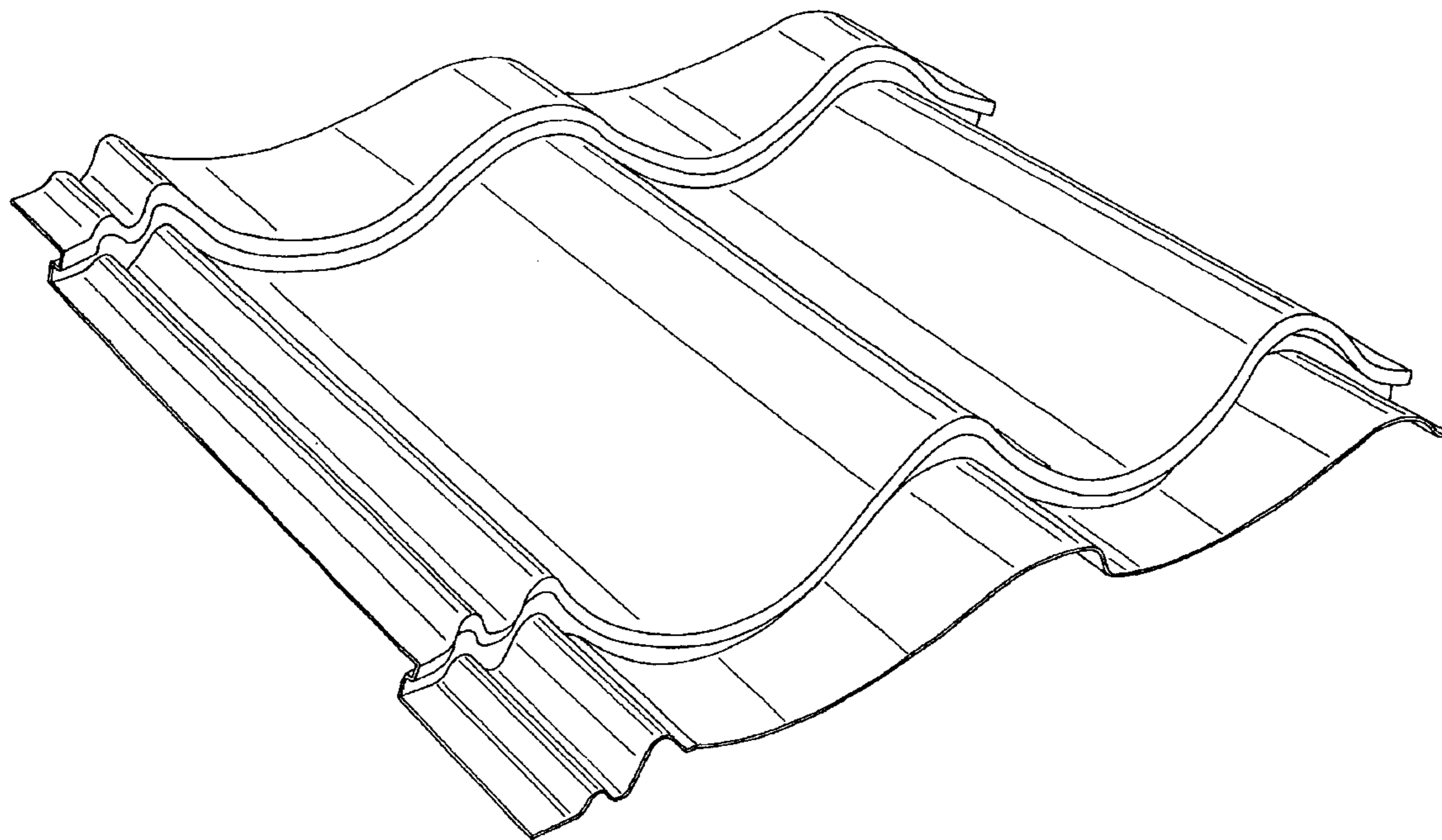
FIG. 4 is a top plan view thereof;

FIG. 5 is a bottom plan view thereof;

FIG. 6 is a left side elevational view thereof; and,

FIG. 7 is a right side elevational view thereof.

**1 Claim, 7 Drawing Sheets**



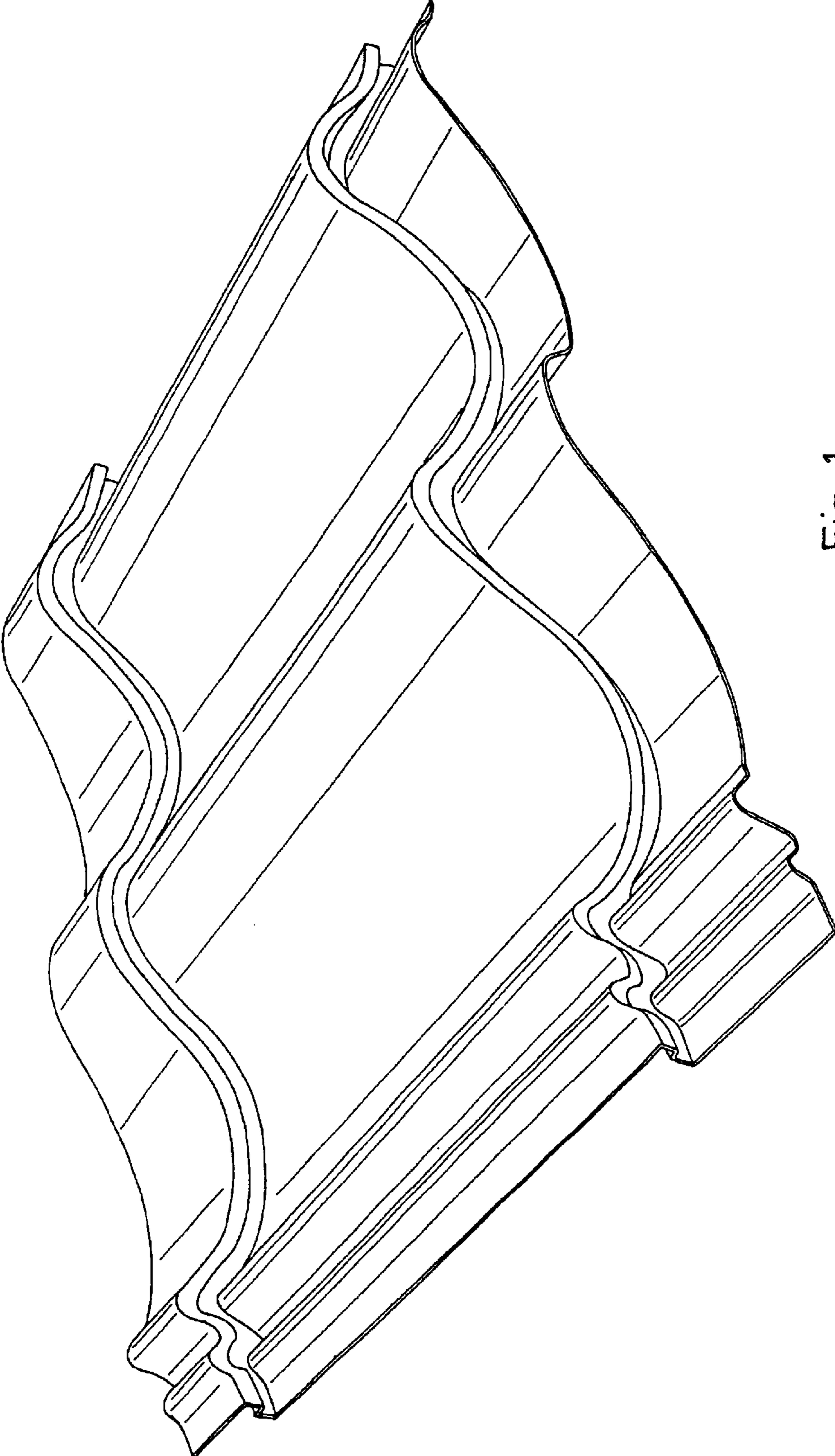


Fig. 1

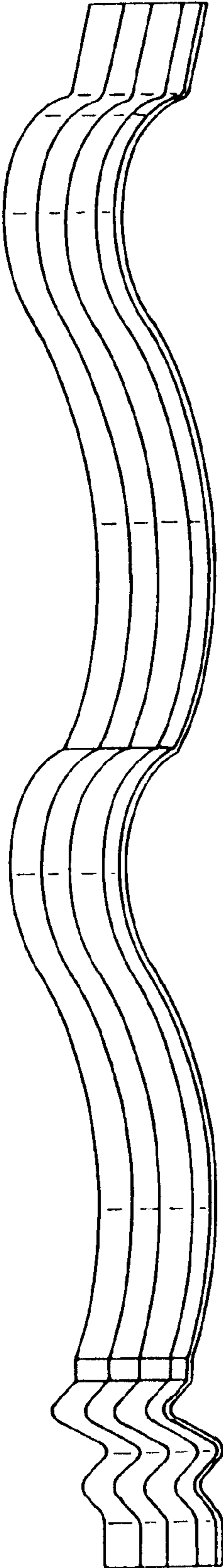


Fig. 2

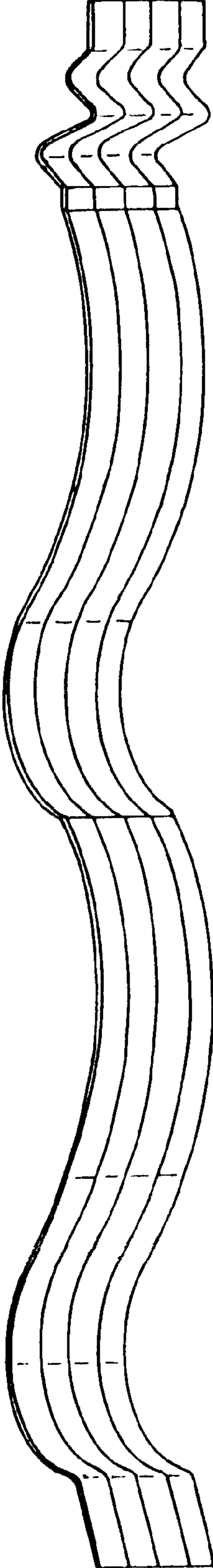


Fig. 3

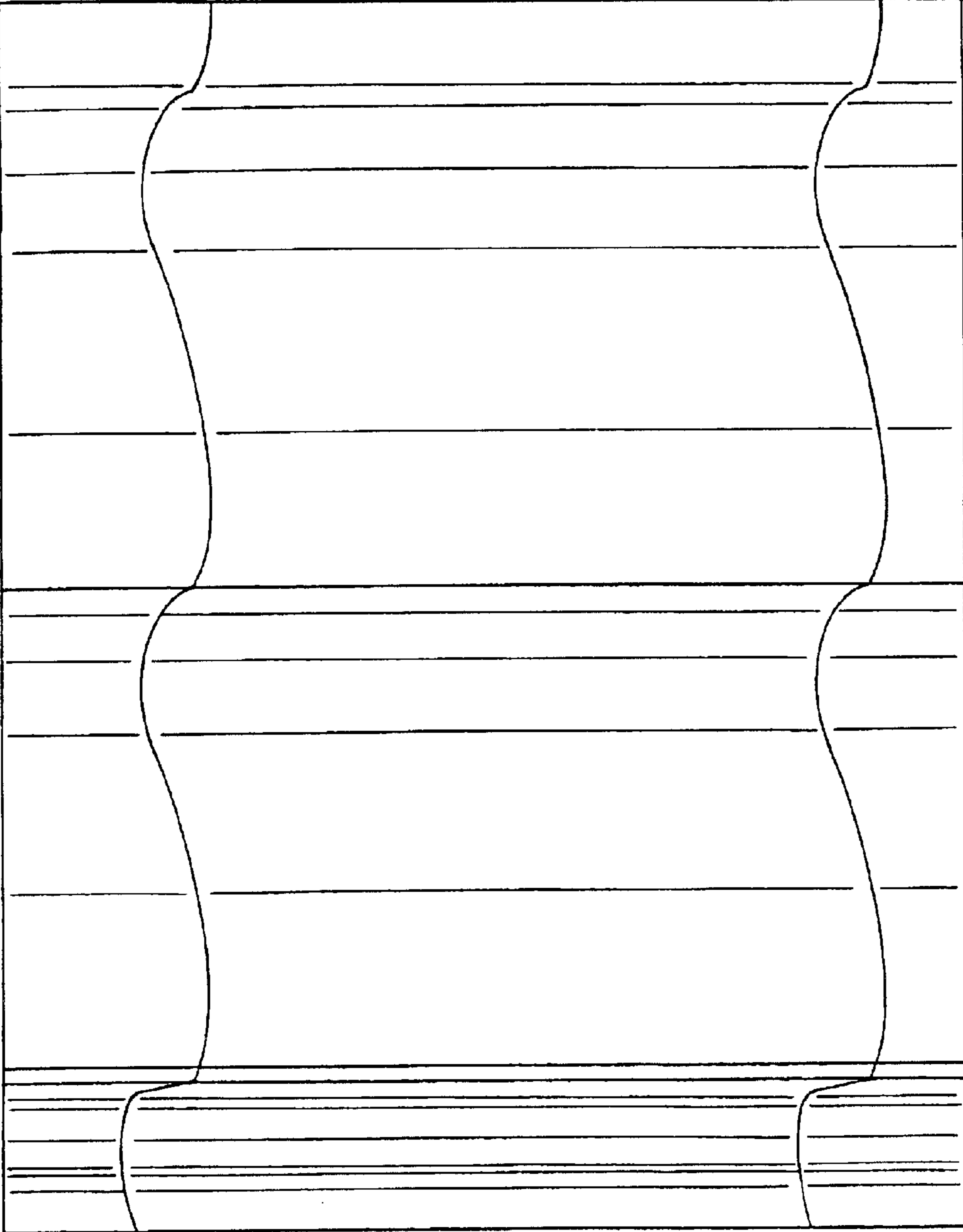


Fig. 4

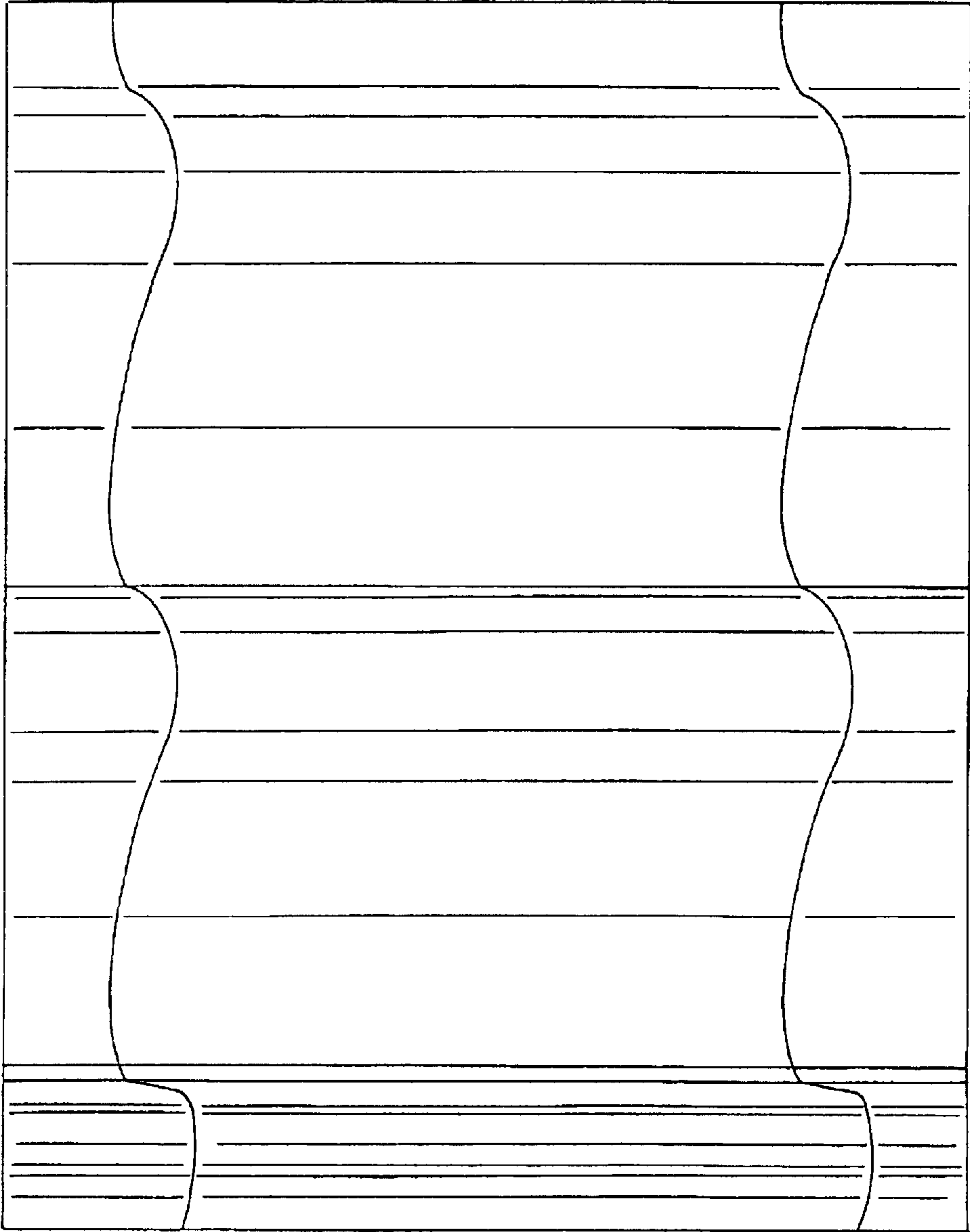


Fig. 5

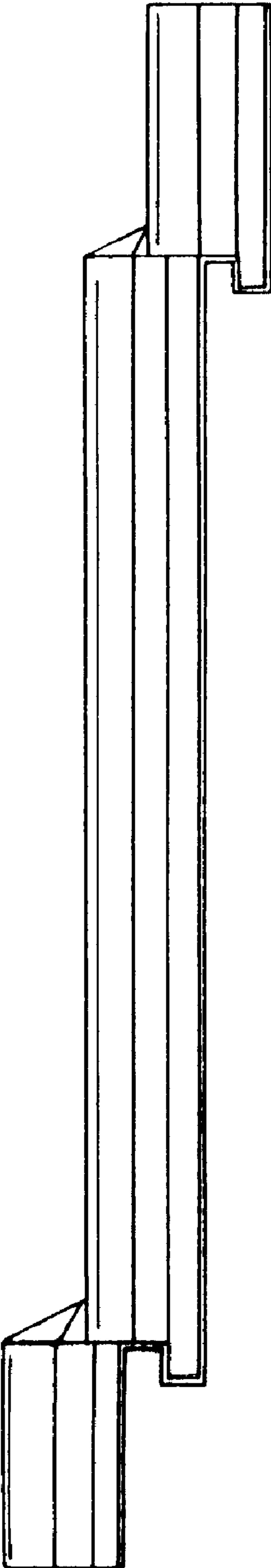


Fig. 6

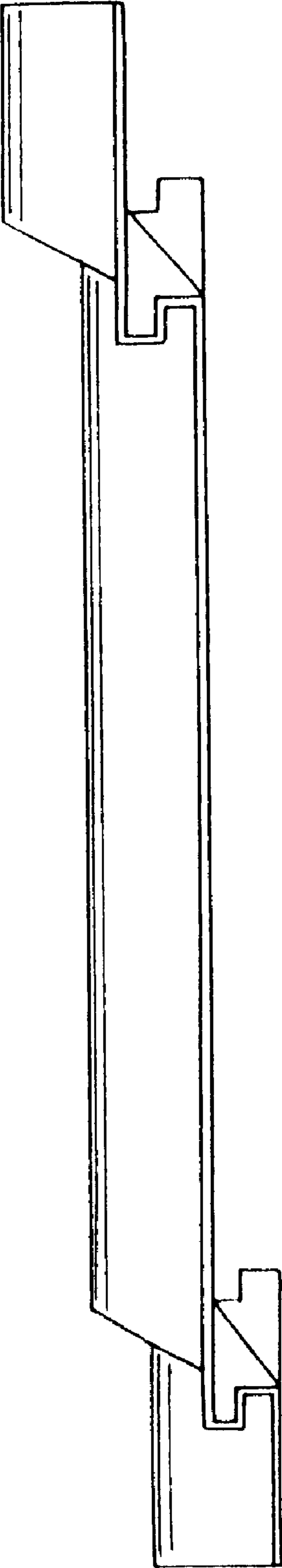


Fig. 7