

US00D498545S

(12) **United States Design Patent**  
**Willman et al.**

(10) **Patent No.:** **US D498,545 S**

(45) **Date of Patent:** **\*\* Nov. 16, 2004**

(54) **WINDOW SASH FRAME EXTRUSION**

D364,236 S \* 11/1995 Schrader ..... D25/124  
D461,258 S 8/2002 Ballard et al.  
D467,013 S 12/2002 Ballard et al.  
D471,647 S 3/2003 Chaney et al.

(75) Inventors: **Todd A. Willman**, Germantown, OH (US); **Roger D. Brooks**, Springboro, OH (US); **Philip G. Morton**, Germantown, OH (US); **Jonathan C. Hauberg**, Centerville, OH (US)

\* cited by examiner

(73) Assignee: **Dayton Technologies, L.L.C.**, Monroe, OH (US)

*Primary Examiner*—Doris Clark

(74) *Attorney, Agent, or Firm*—Jacox, Meckstroth & Jenkins

(\*\*) Term: **14 Years**

(57) **CLAIM**

(21) Appl. No.: **29/194,695**

The ornamental design of a window sash frame extrusion, as shown and described.

(22) Filed: **Dec. 1, 2003**

**DESCRIPTION**

(51) **LOC (7) Cl.** ..... **25-01**

(52) **U.S. Cl.** ..... **D25/124**

(58) **Field of Search** ..... D25/124; 52/204.55, 52/204.5

FIG. 1 is a perspective view of a window sash frame extrusion, showing our new design, with a middle portion broken away to disclose indefinite length; and,

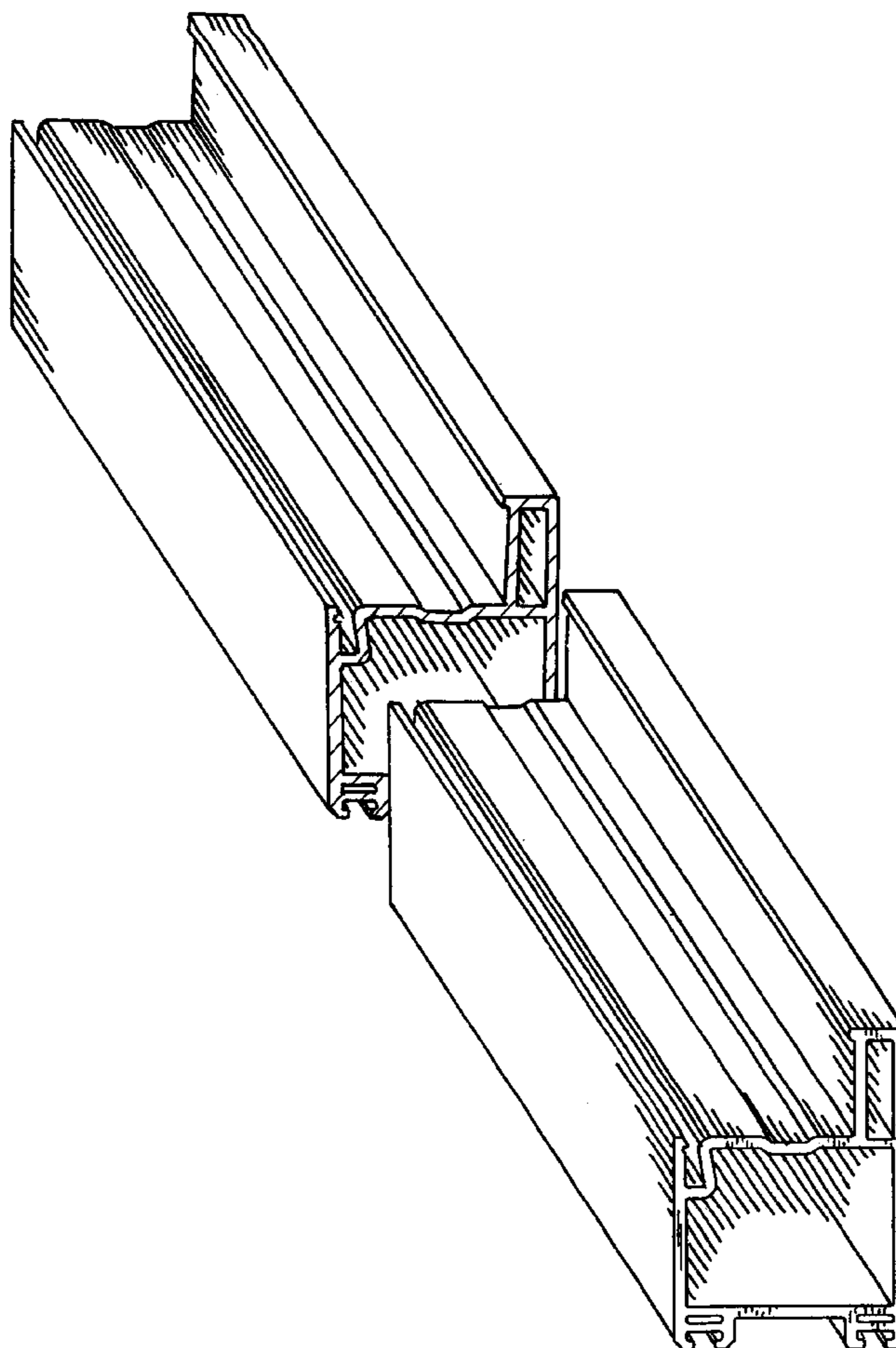
FIG. 2 is an end view thereof, the opposite end view being a mirror image.

(56) **References Cited**

**U.S. PATENT DOCUMENTS**

D363,794 S \* 10/1995 Schrader ..... D25/124

**1 Claim, 1 Drawing Sheet**



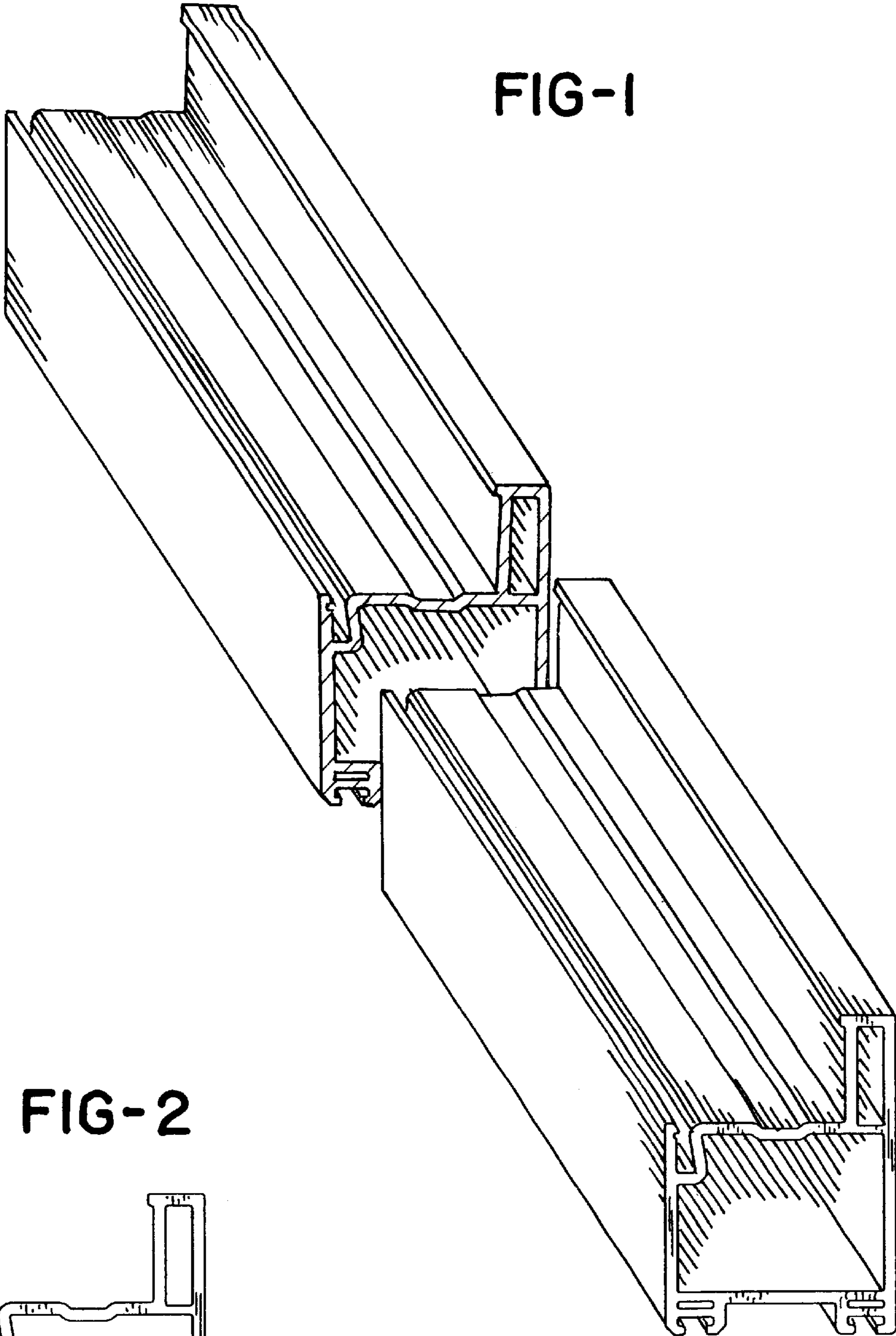


FIG-2

