

US00D498543S

(12) **United States Design Patent**
Schmitz et al.

(10) **Patent No.: US D498,543 S**

(45) **Date of Patent: ** Nov. 16, 2004**

(54) **PAVING ELEMENT**

(75) Inventors: **Michael Schmitz**, Rheinmunster (DE);
Andreas Drost, Karlsruhe (DE)

(73) Assignee: **F. von Langsdorff Licensing Limited**,
Inglewood (CA)

(**) Term: **14 Years**

(21) Appl. No.: **29/146,054**

(22) Filed: **Aug. 3, 2001**

(30) **Foreign Application Priority Data**

Feb. 5, 2001 (WO) DM/055 423

(51) **LOC (7) Cl. 25-01**

(52) **U.S. Cl. D25/113**

(58) **Field of Search** D25/102, 112-118,
D25/199; D21/484-486, 499-505; 405/284,
16, 272-273; 404/17-21, 29-30, 32-35,
37-42; 52/102, 574-581, 588.1, 582.1,
582.2, 596, 598-599, 603-612

(56) **References Cited**

U.S. PATENT DOCUMENTS

D230,846 S * 3/1974 Friederich D23/113
D365,643 S * 12/1995 Wilhelm D25/113
5,496,129 A * 3/1996 Dube 404/29

D389,926 S * 1/1998 Barth et al. D25/113
D425,628 S * 5/2000 Barth et al. D25/113
6,055,784 A * 5/2000 Geiger 52/603 X
D426,317 S * 6/2000 Fifield D25/114
D431,305 S * 9/2000 Barth et al. D25/113
D442,703 S * 5/2001 Fifield D25/113

* cited by examiner

Primary Examiner—Louis S. Zarfes

Assistant Examiner—Robert A. Delehanty

(74) *Attorney, Agent, or Firm*—Dowell & Dowell, P.C.

(57) **CLAIM**

The ornamental design for a paving element, as shown and described.

DESCRIPTION

FIG. 1 is a perspective view of one variant of the design.
FIG. 2 is a perspective view of another variant of the design.
FIG. 3 is a perspective view of another variant of the design.
FIG. 4 is a perspective view of another variant of the design.
FIG. 5 is a perspective view of another variant of the design.
FIG. 6 is a plan view of the design of FIG. 1.
FIG. 7 is a left side elevation of the design of FIG. 1.
FIG. 8 is a right side elevation of the design of FIG. 1.
FIG. 9 is a left side elevation of the design of FIGS. 2, 3, 4;
and, 5.

1 Claim, 4 Drawing Sheets

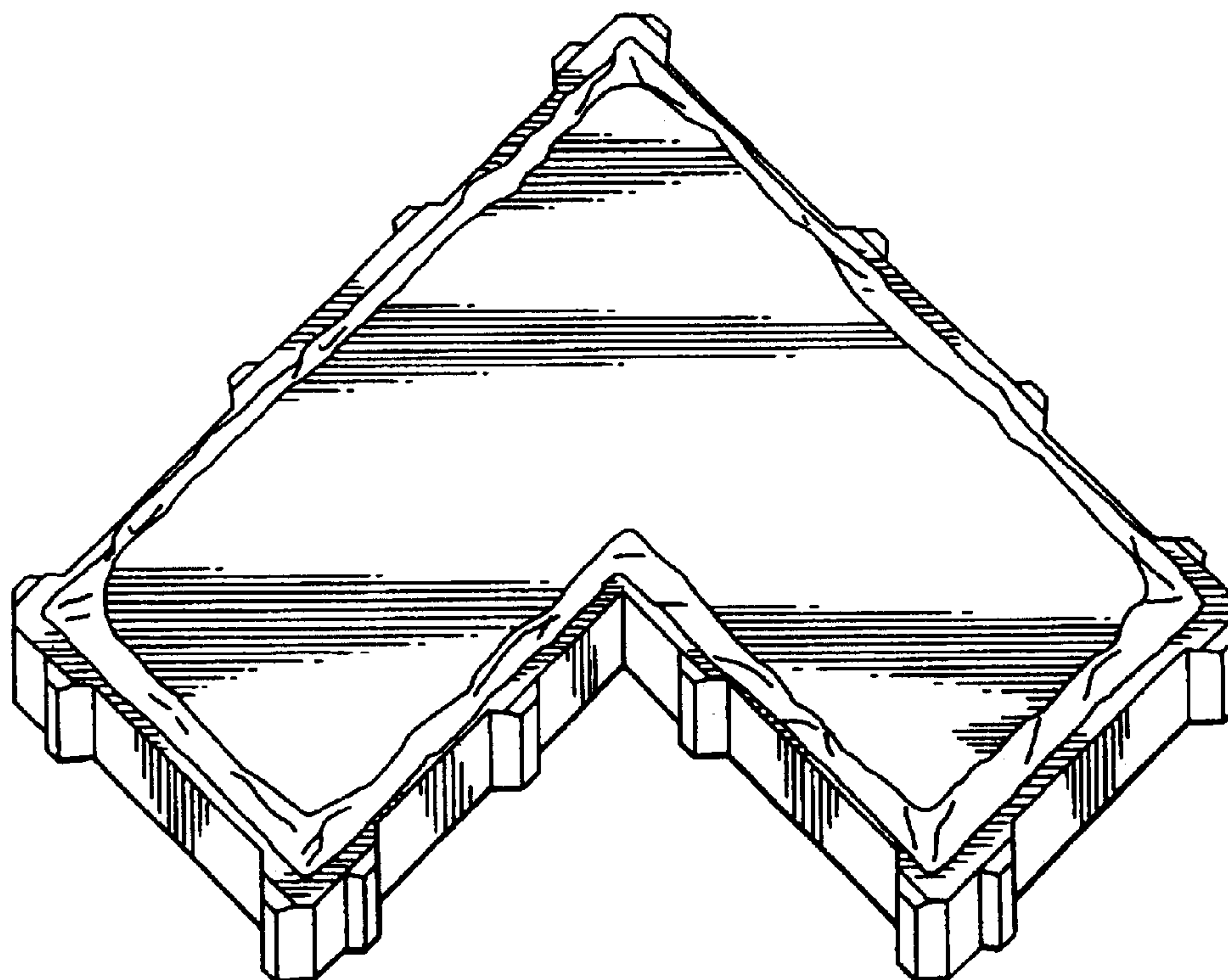


FIG. 1.

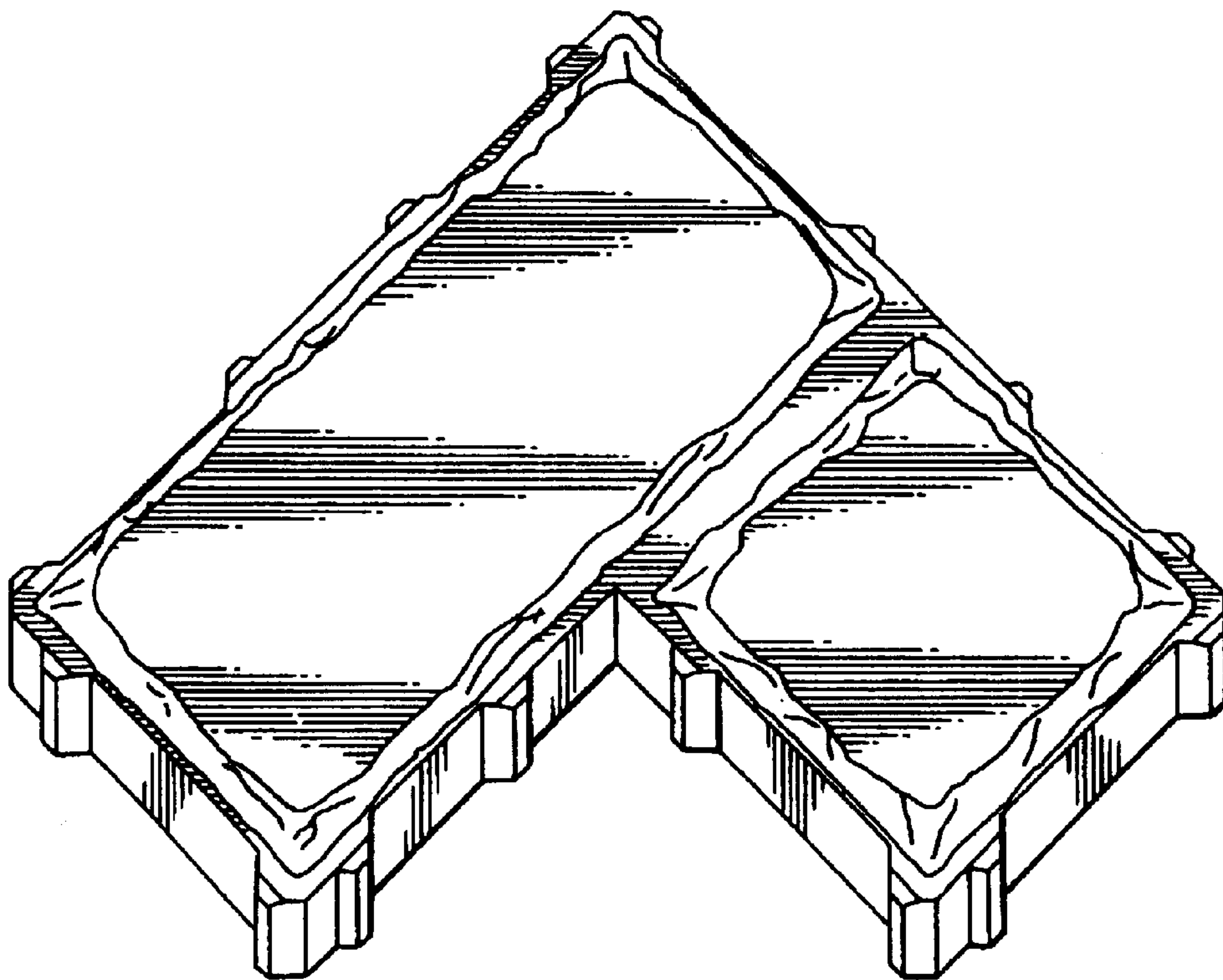
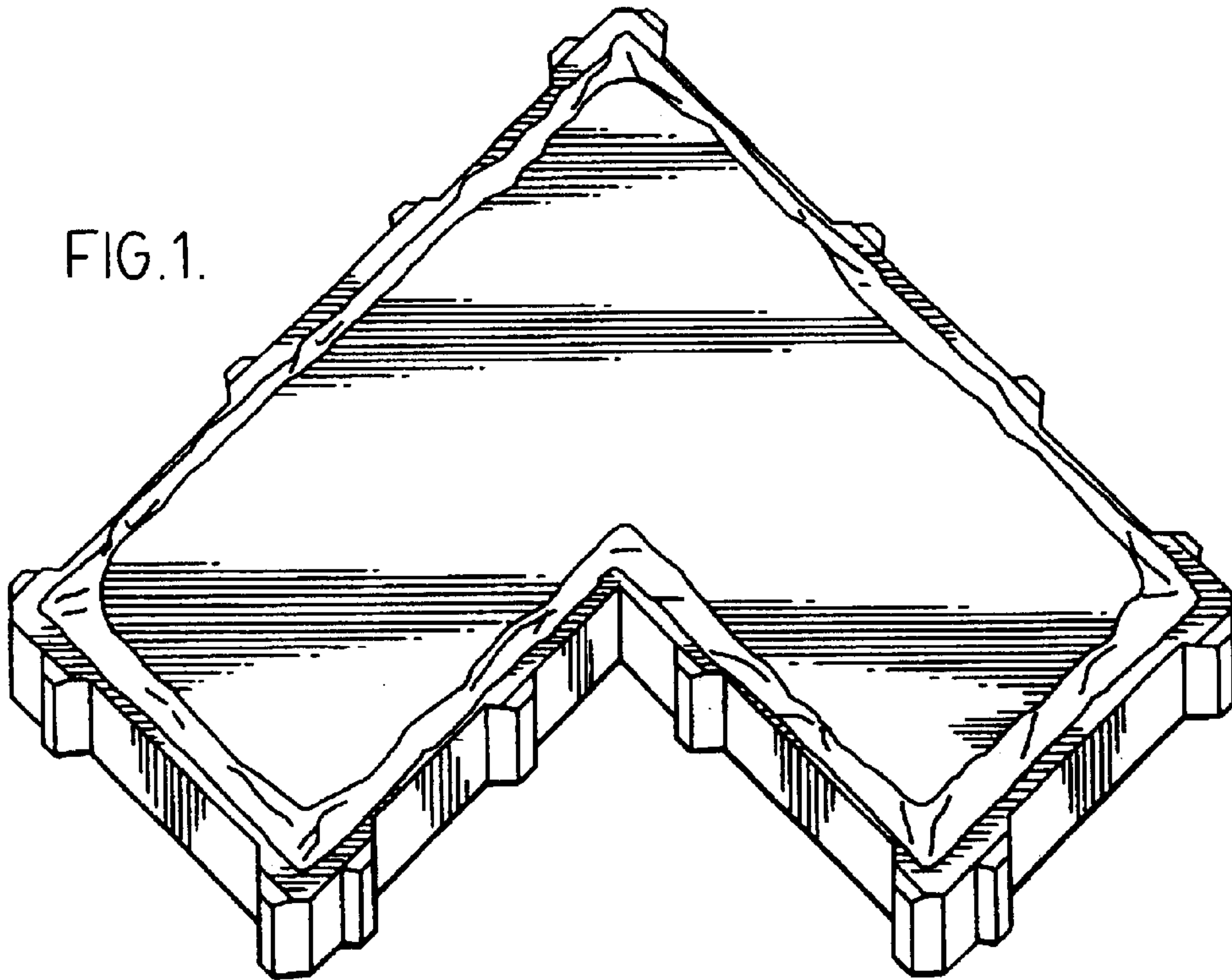


FIG. 2

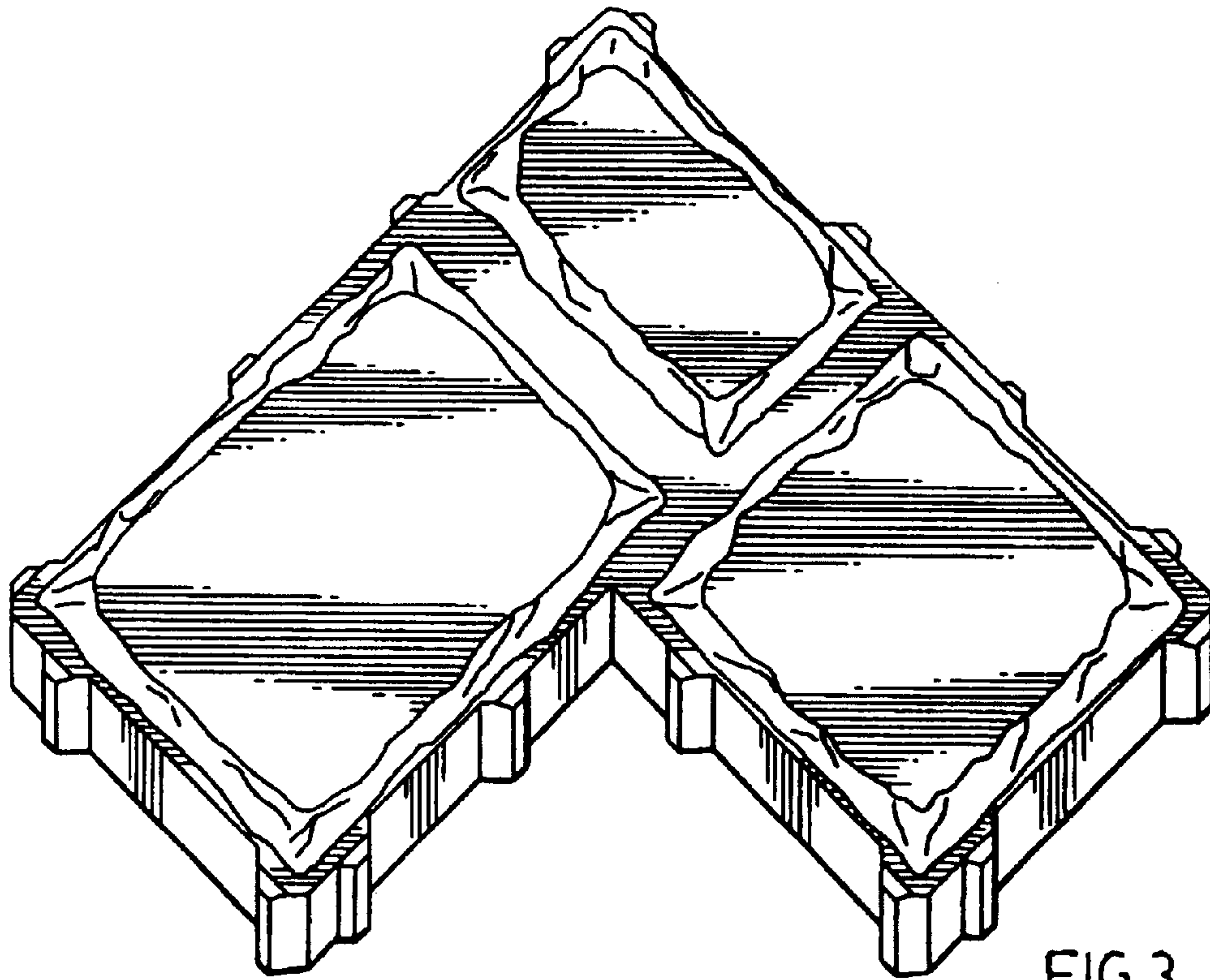


FIG. 3

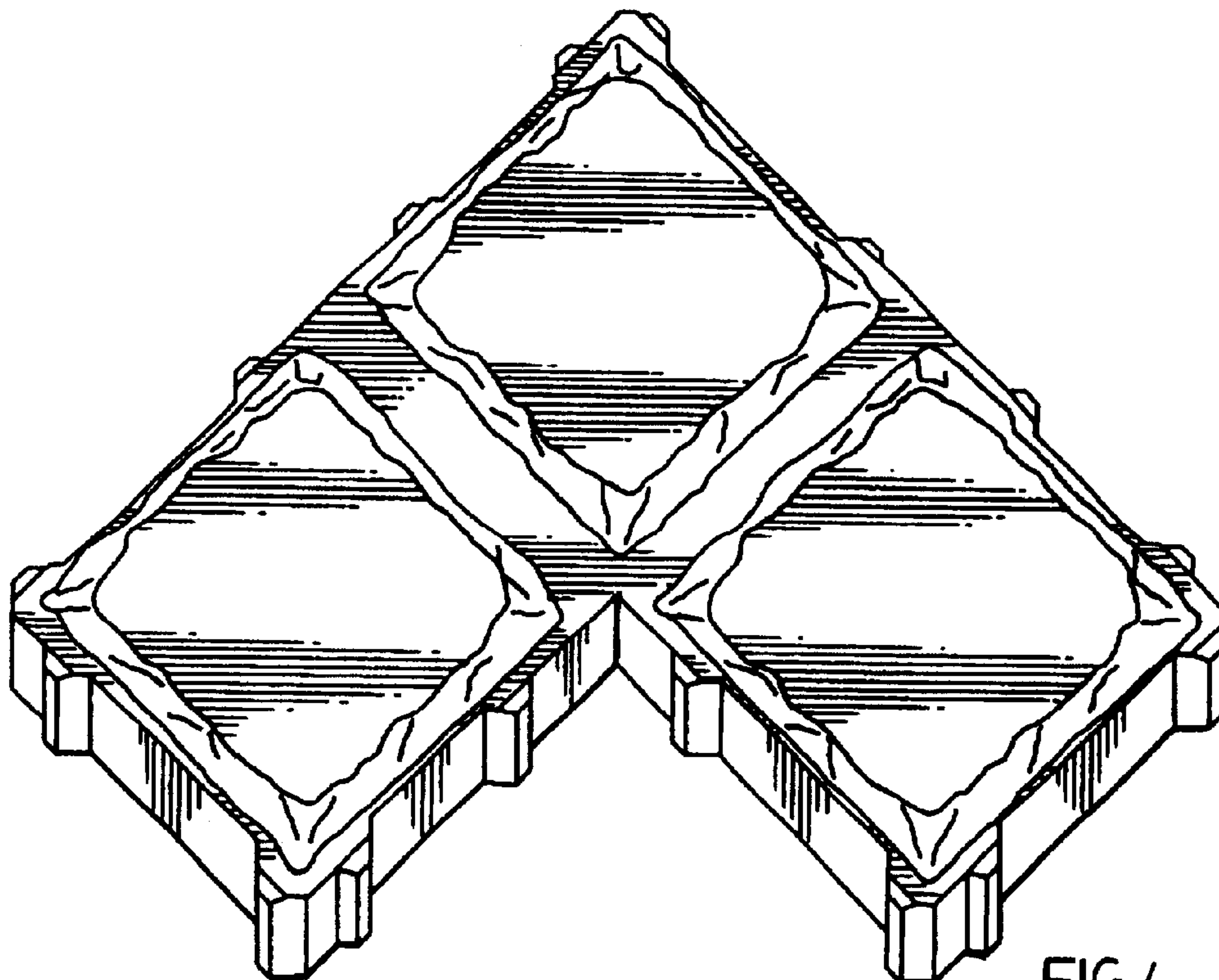


FIG. 4

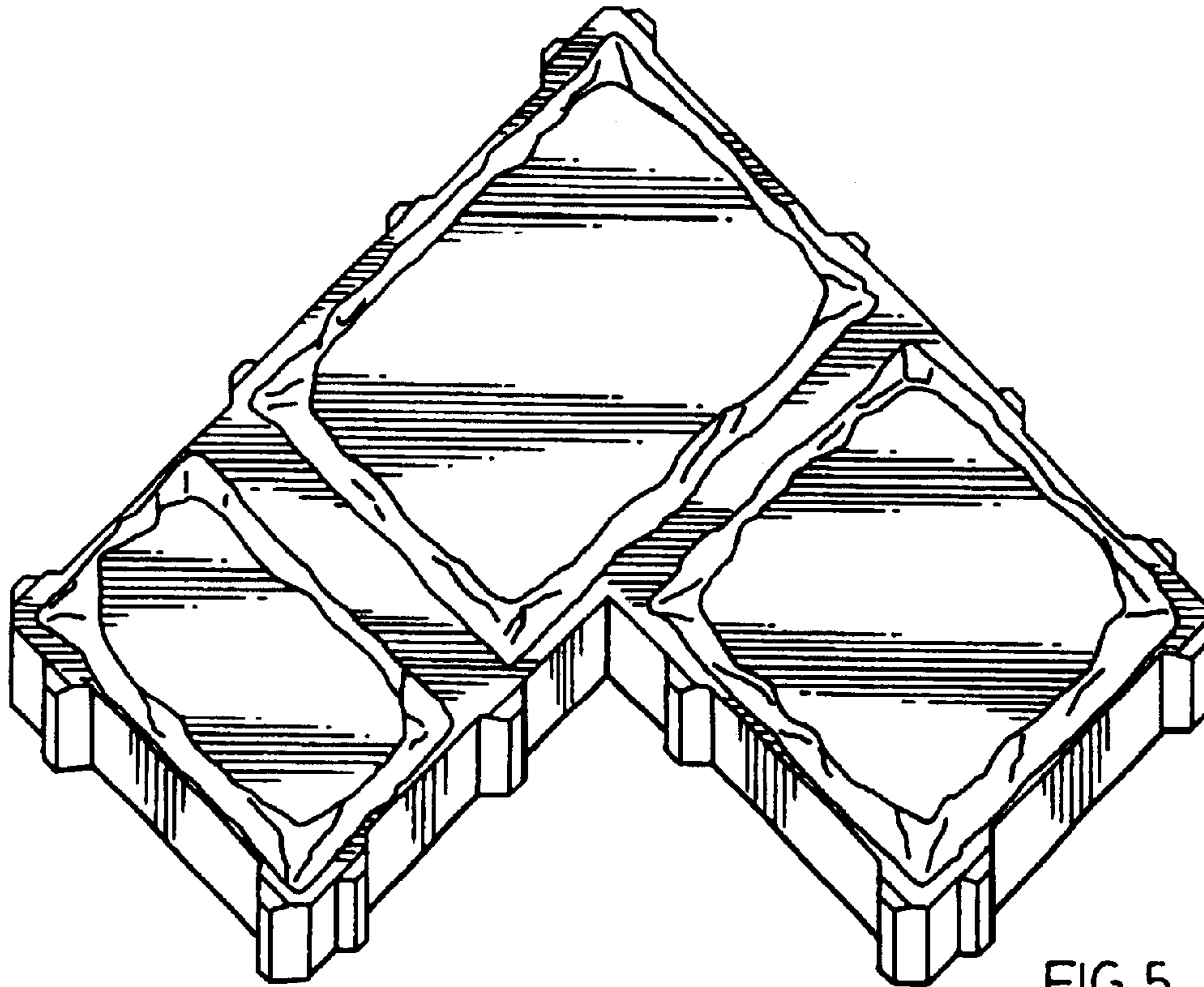


FIG. 5

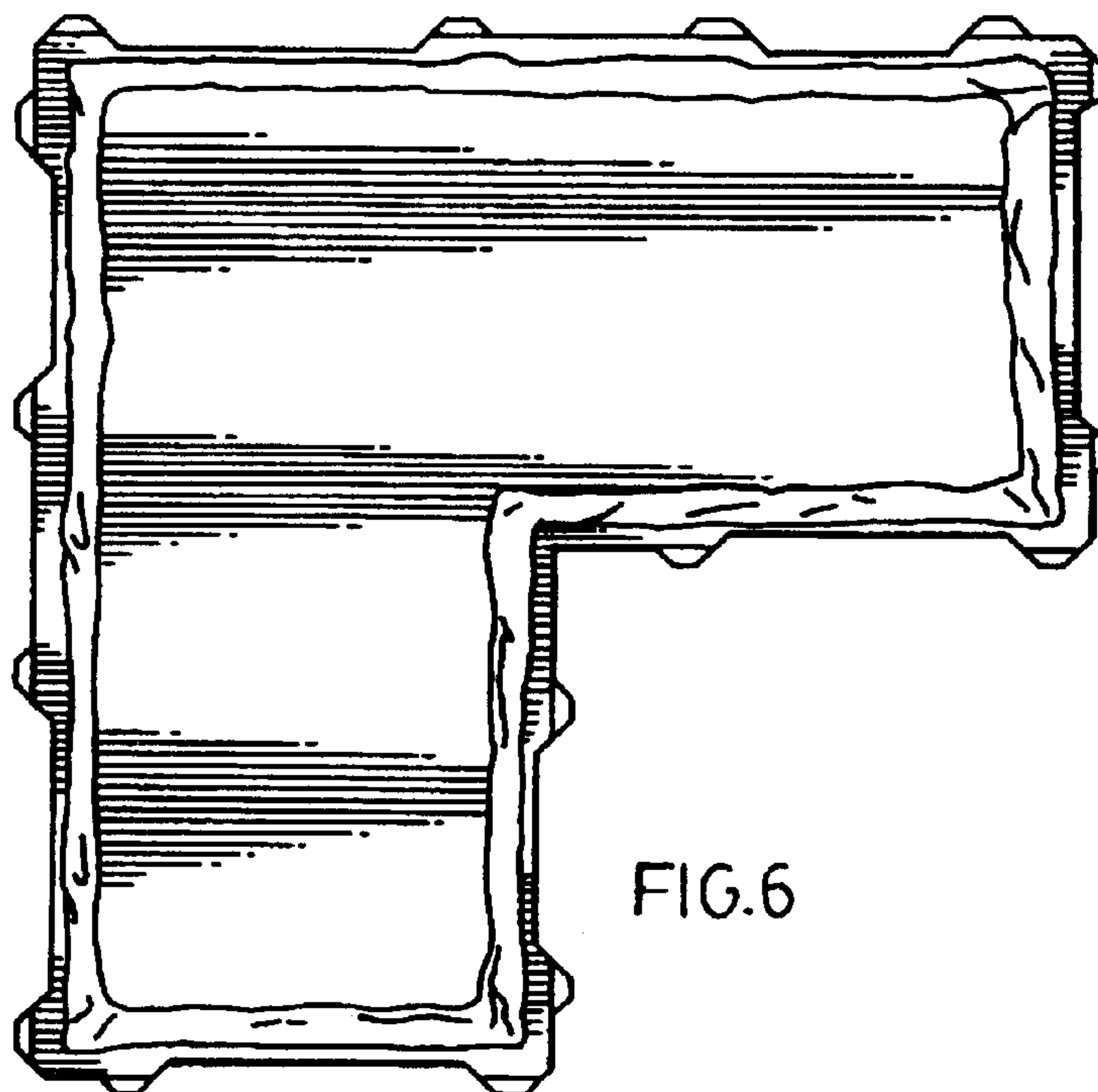


FIG. 6

