

US00D498542S

(12) **United States Design Patent** (10) **Patent No.:** **US D498,542 S**
Brushaber (45) **Date of Patent:** **** Nov. 16, 2004**

(54) **FLOATING DOCK LADDER**

(76) Inventor: **Donald Brushaber**, 221 Hayes Ct.,
Normandy Beach, NJ (US) 08739

(**) Term: **14 Years**

(21) Appl. No.: **29/200,482**

(22) Filed: **Feb. 27, 2004**

(51) **LOC (7) Cl.** **25-04**

(52) **U.S. Cl.** **D25/64**

(58) **Field of Search** D25/64; 182/180.1,
182/194, 200, 206, 94, 82

(56) **References Cited**

U.S. PATENT DOCUMENTS

D389,923 S * 1/1998 Hillman et al. D25/64

D479,884 S * 9/2003 Berryman D25/64

* cited by examiner

Primary Examiner—Doris Clark

(74) *Attorney, Agent, or Firm*—Arthur Jacob

(57) **CLAIM**

The ornamental design for a floating dock ladder, as shown and described.

DESCRIPTION

FIG. 1 is a front, top and left side isometric view of a floating dock ladder embodying my new design, with the ladder

shown in an extended configuration, the phantom lines indicating environmental structure in the form of a floating dock form no part of the claimed design;

FIG. 2 is a front elevational view thereof;

FIG. 3 is a top plan view thereof;

FIG. 4 is a side elevational view thereof as viewed from the left of FIG. 2, the side elevational view as viewed from the right of FIG. 2 being a mirror-image thereof;

FIG. 5 is a rear elevational view thereof;

FIG. 6 is a bottom plan view thereof;

FIG. 7 is a front, top and left side isometric view of the floating dock ladder embodying my new design, with the ladder shown in a retracted configuration, the phantom lines indicating environmental structure in the form of a floating dock form no part of the claimed design;

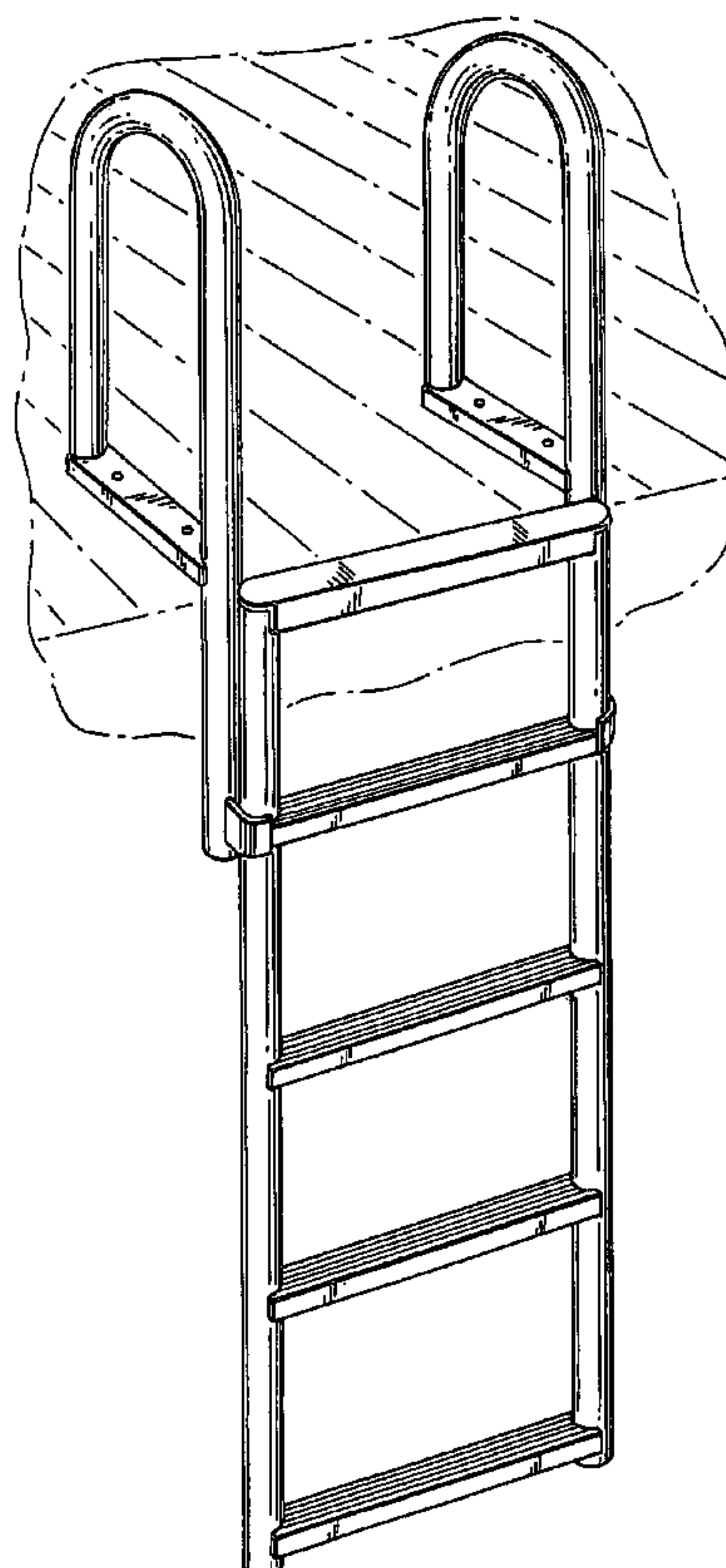
FIG. 8 is a front elevational view thereof;

FIG. 9 is a side elevational view thereof as viewed from the left of FIG. 8, the side elevational view as viewed from the right of FIG. 8 being a mirror-image thereof; and,

FIG. 10 is a rear elevational view thereof.

The top plan view and the bottom plan view of the ladder in the configuration depicted in FIG. 7 are the same as the top plan view and the bottom plan view as depicted in FIGS. 3 and 6, respectively.

1 Claim, 7 Drawing Sheets



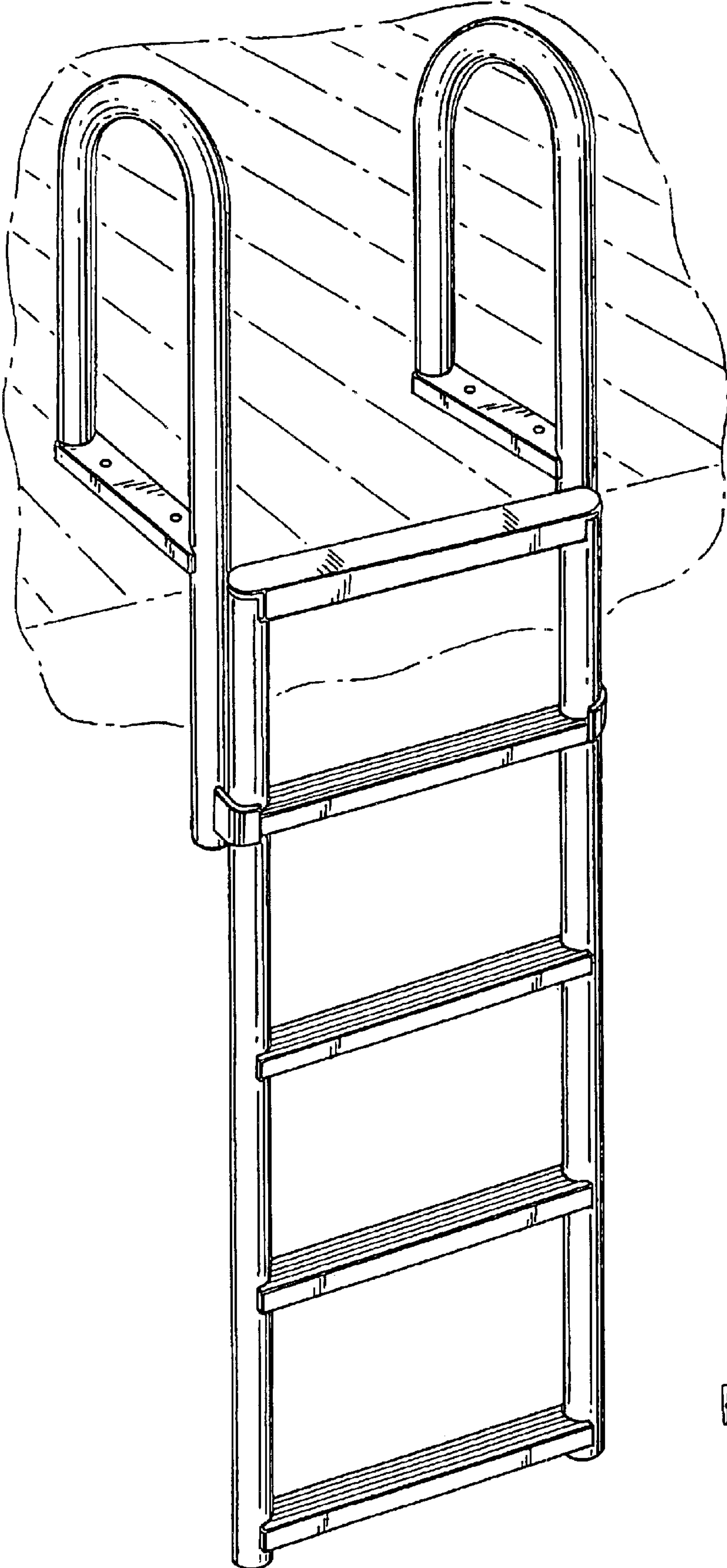


FIG. 1

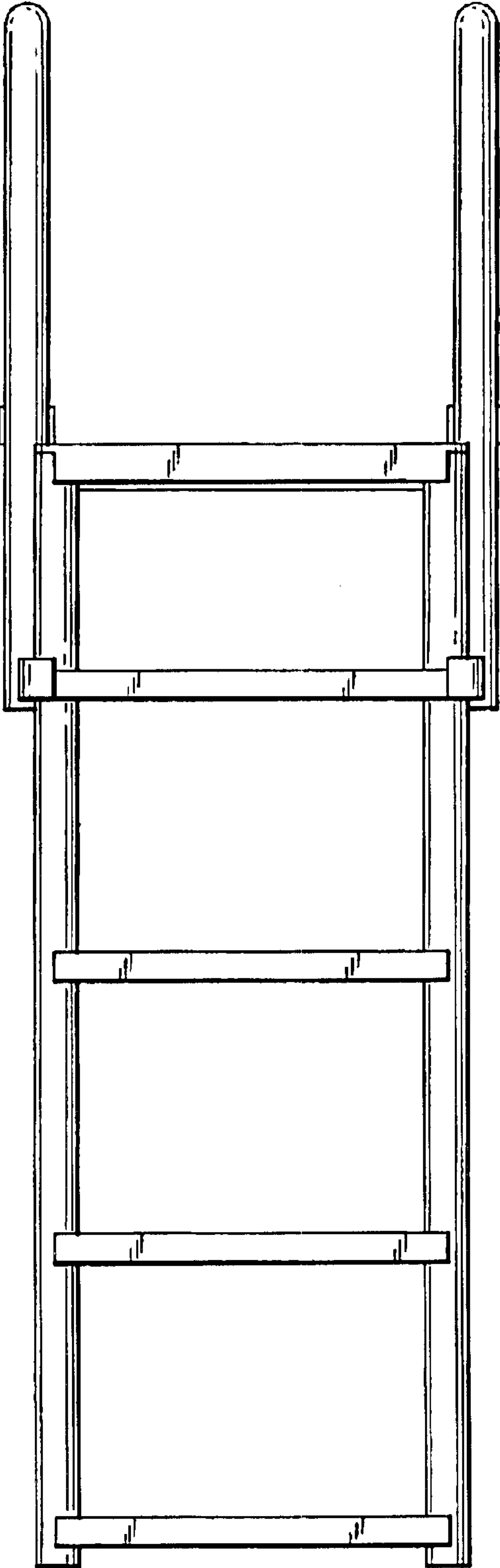


FIG.2

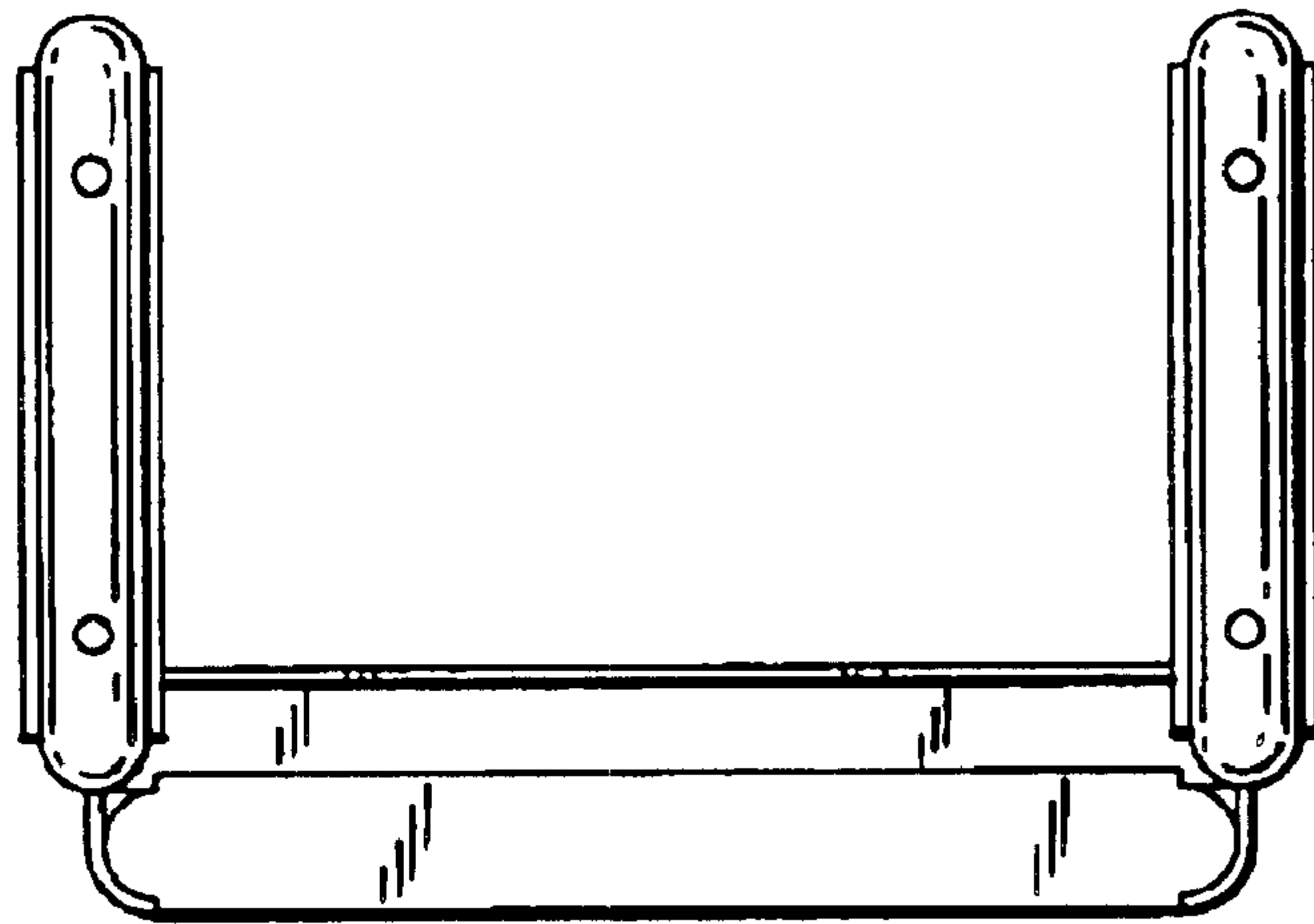


FIG. 3

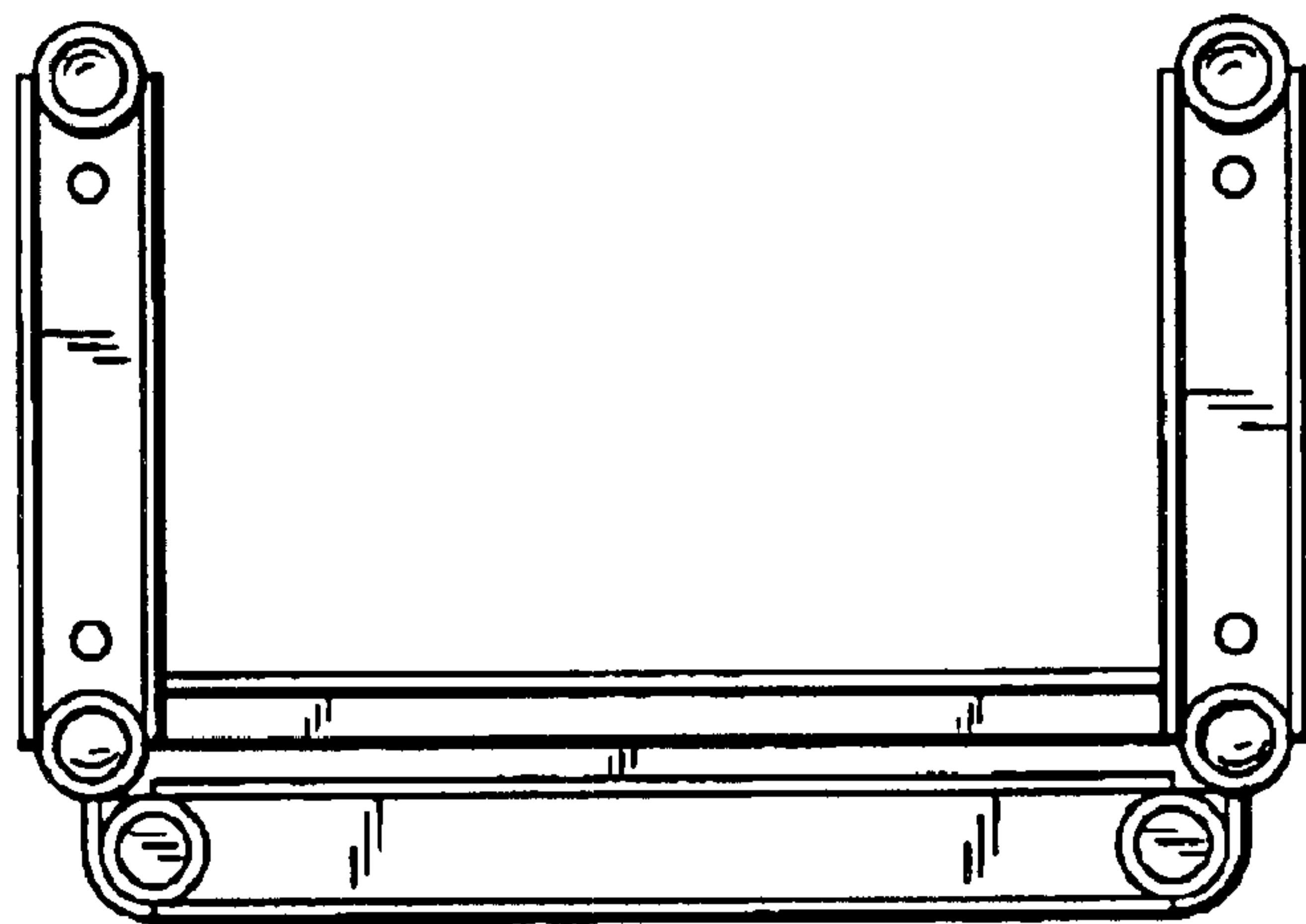


FIG. 6

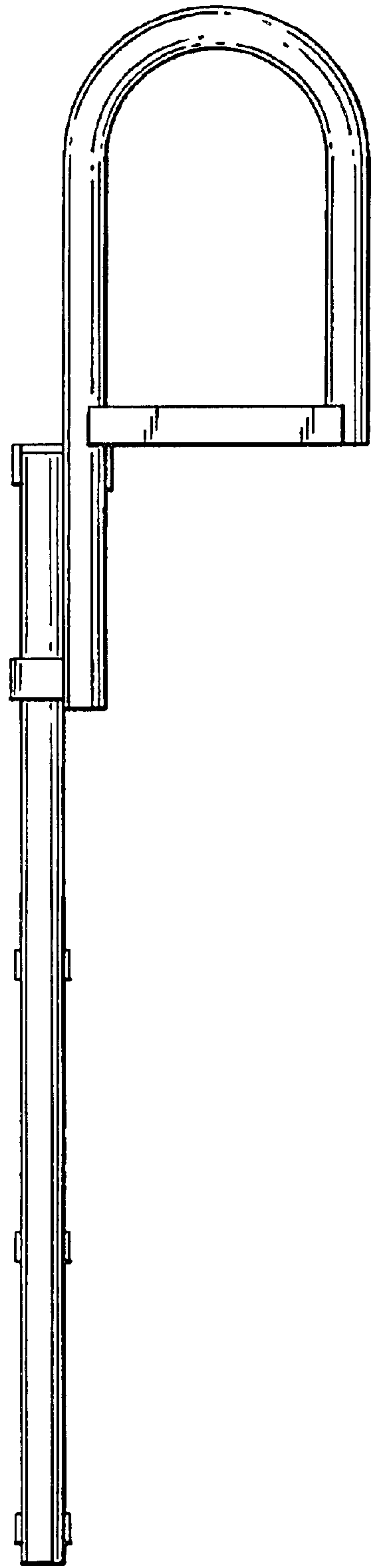


FIG. 4

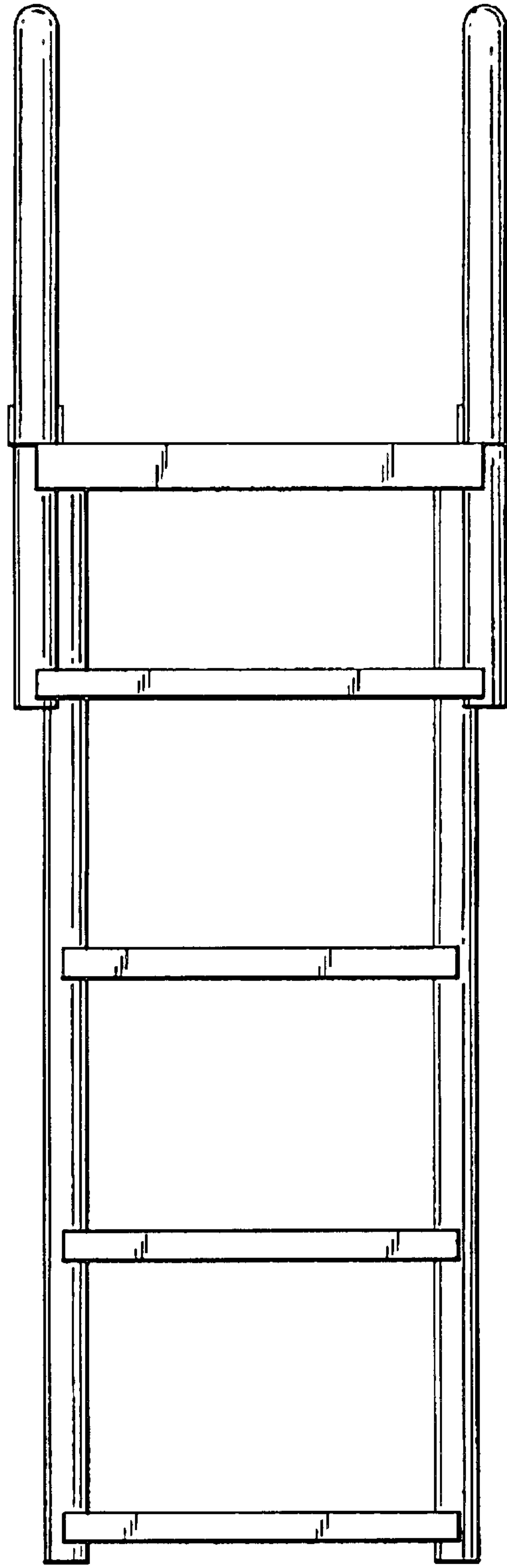
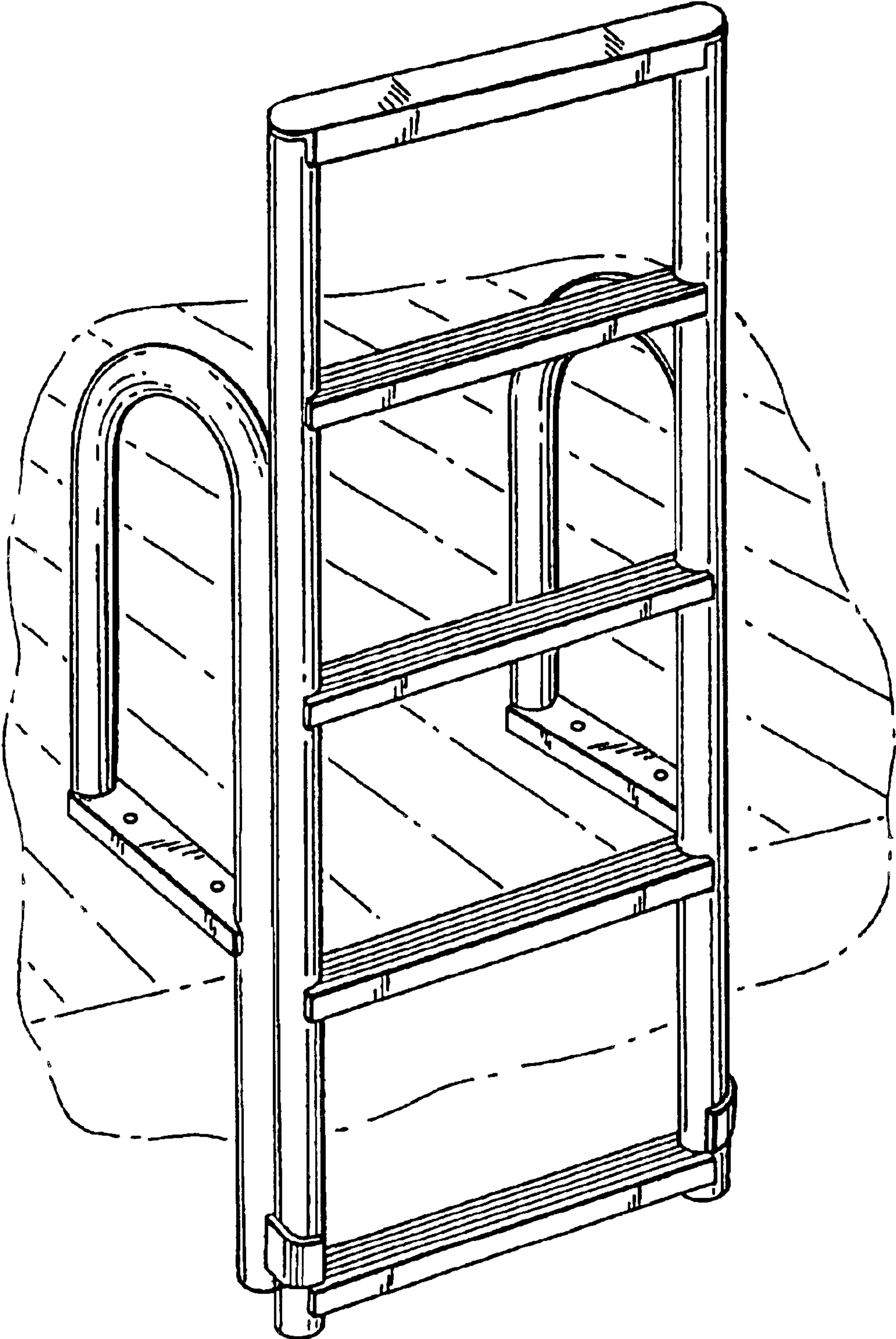


FIG. 5

FIG. 7



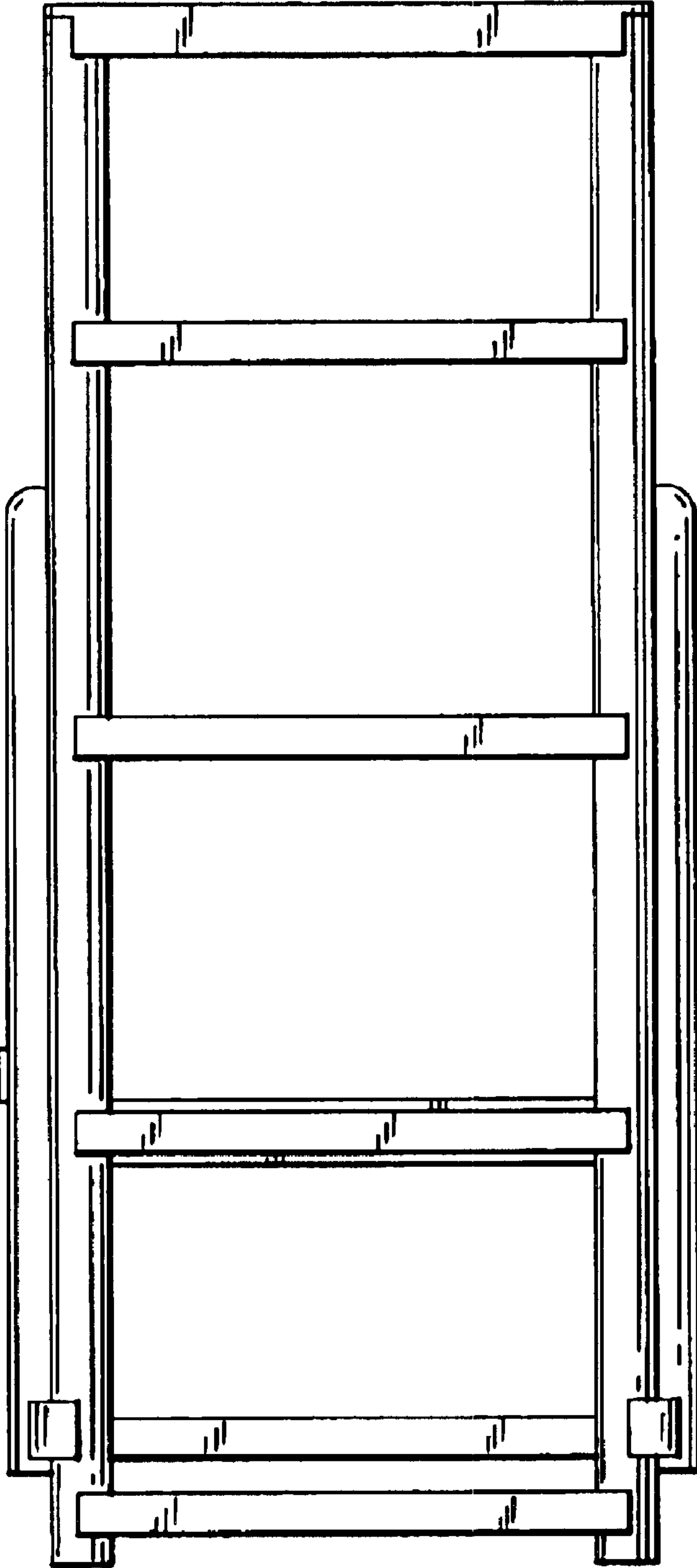


FIG.8

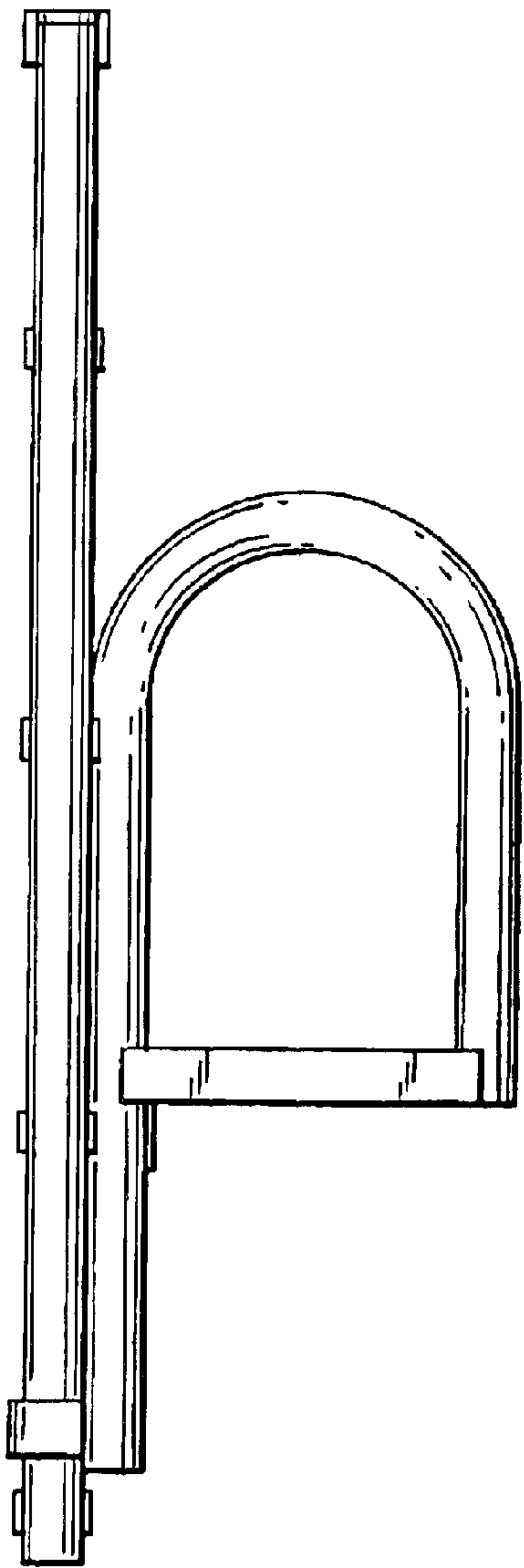


FIG. 9

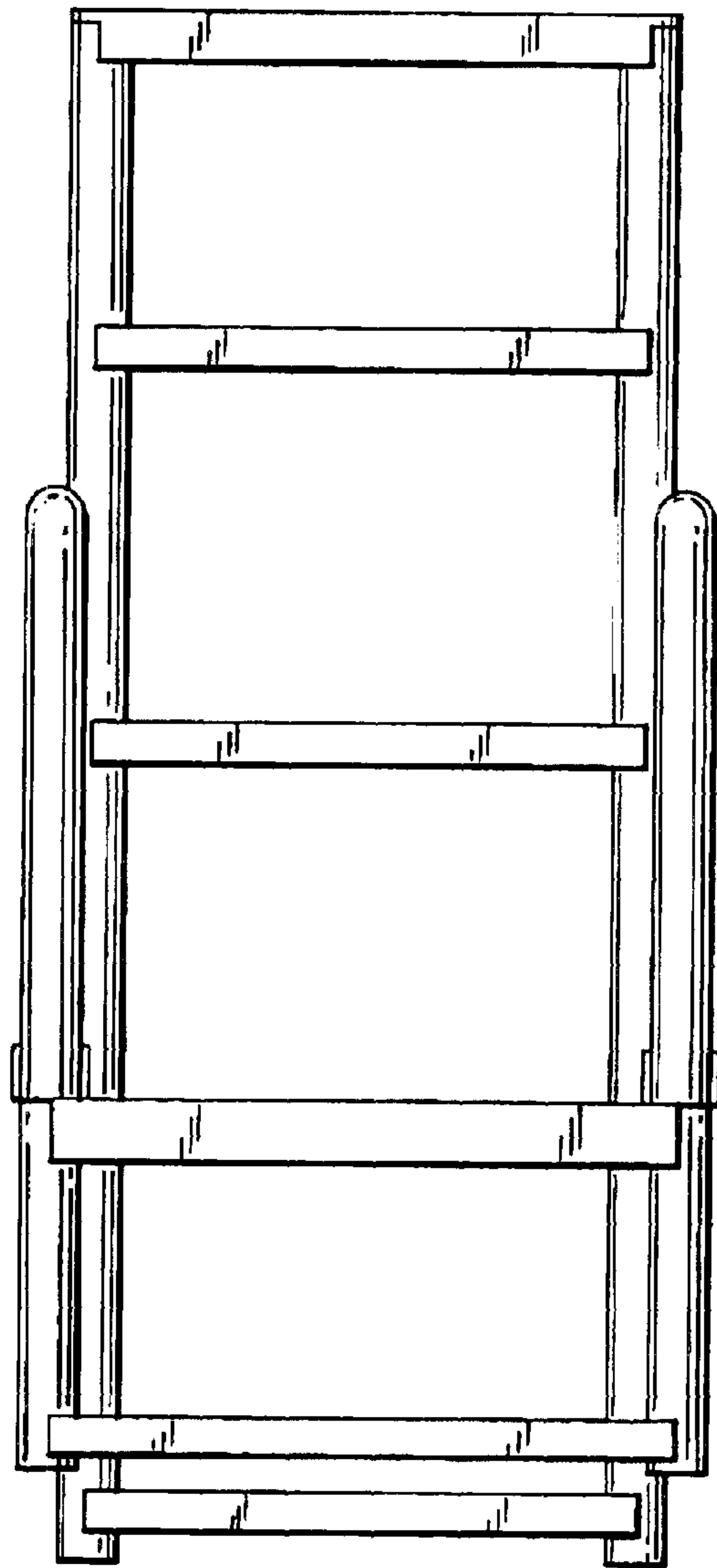


FIG. 10