



US00D498538S

(12) **United States Design Patent**
Bartlett et al.

(10) **Patent No.: US D498,538 S**

(45) **Date of Patent: ** Nov. 16, 2004**

(54) **SWIMMING POOL COVER**

(76) Inventors: **Chris Charles Bartlett**, 7152 Baywood Court, Mississauga, Ontario (CA), L5N 5N6; **Gary Mark Crandall**, 180 Huntington Trail, Cortland, OH (US) 44410

(**) Term: **14 Years**

(21) Appl. No.: **29/194,518**

(22) Filed: **Nov. 25, 2003**

(51) **LOC (7) Cl.** **25-03**

(52) **U.S. Cl.** **D25/2**

(58) **Field of Search** **D25/2; 4/498**

(56) **References Cited**

U.S. PATENT DOCUMENTS

D446,585 S * 8/2001 Webb D25/2
6,317,902 B2 * 11/2001 Handwerker 4/498

* cited by examiner

Primary Examiner—Doris Clark

(74) *Attorney, Agent, or Firm—Hoffmann & Baron, LLP*

(57) **CLAIM**

The ornamental design of a swimming pool cover, as shown and described.

DESCRIPTION

FIG. 1 is a top perspective view of a swimming pool cover showing our new design;

FIG. 2 is a bottom perspective view thereof;

FIG. 3 is a left side elevation view thereof;

FIG. 4 is a front elevation view thereof;

FIG. 5 is a right side elevation view thereof;

FIG. 6 is a rear elevation view thereof;

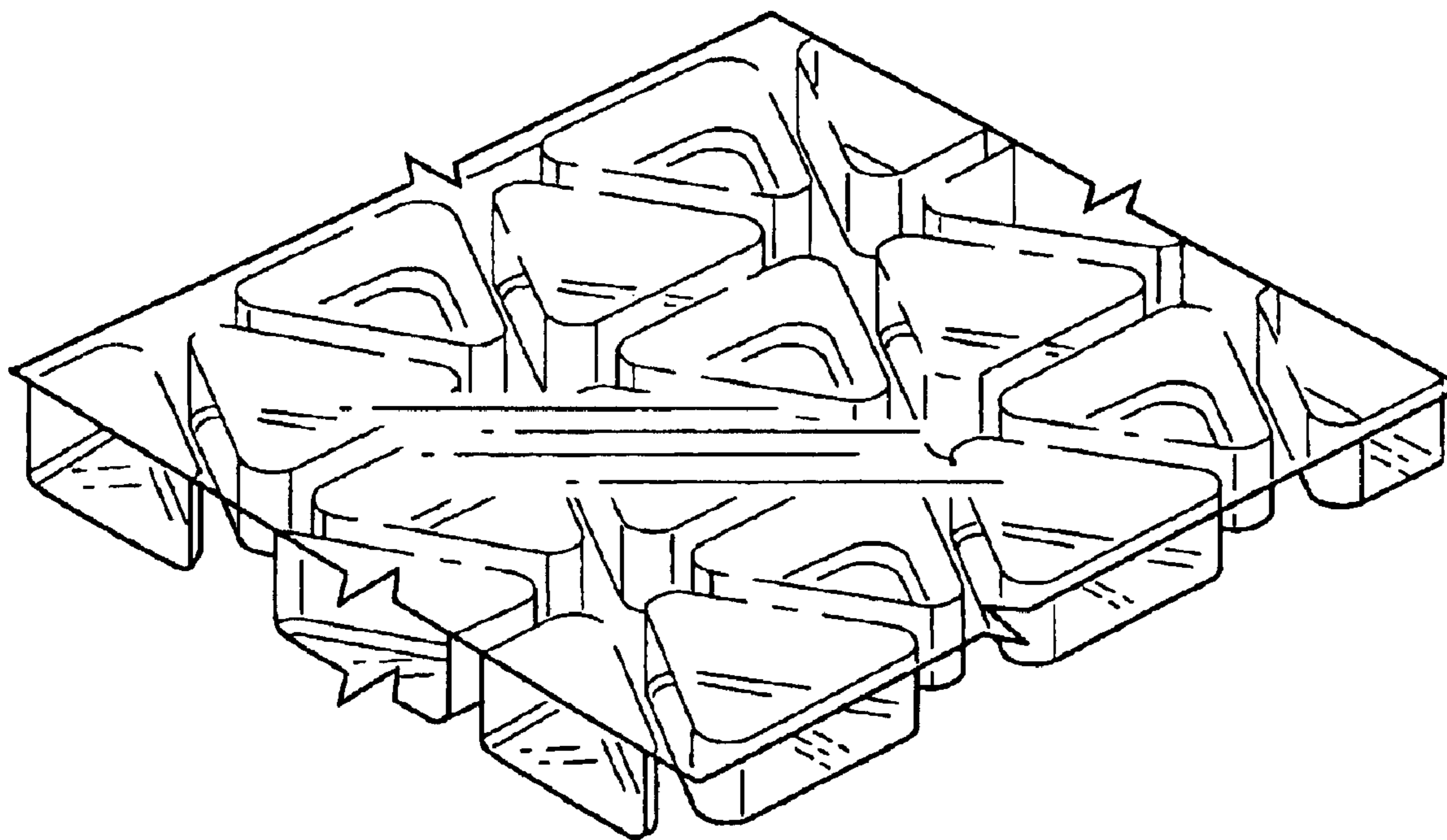
FIG. 7 is a top plan view thereof; and,

FIG. 8 is a bottom plan view thereof.

The subject matter shown in broken lines is for illustrative purposes only and forms no part of the claimed design.

The swimming pool cover have been shown fragmented indicating that its dimensions are indefinite.

1 Claim, 3 Drawing Sheets



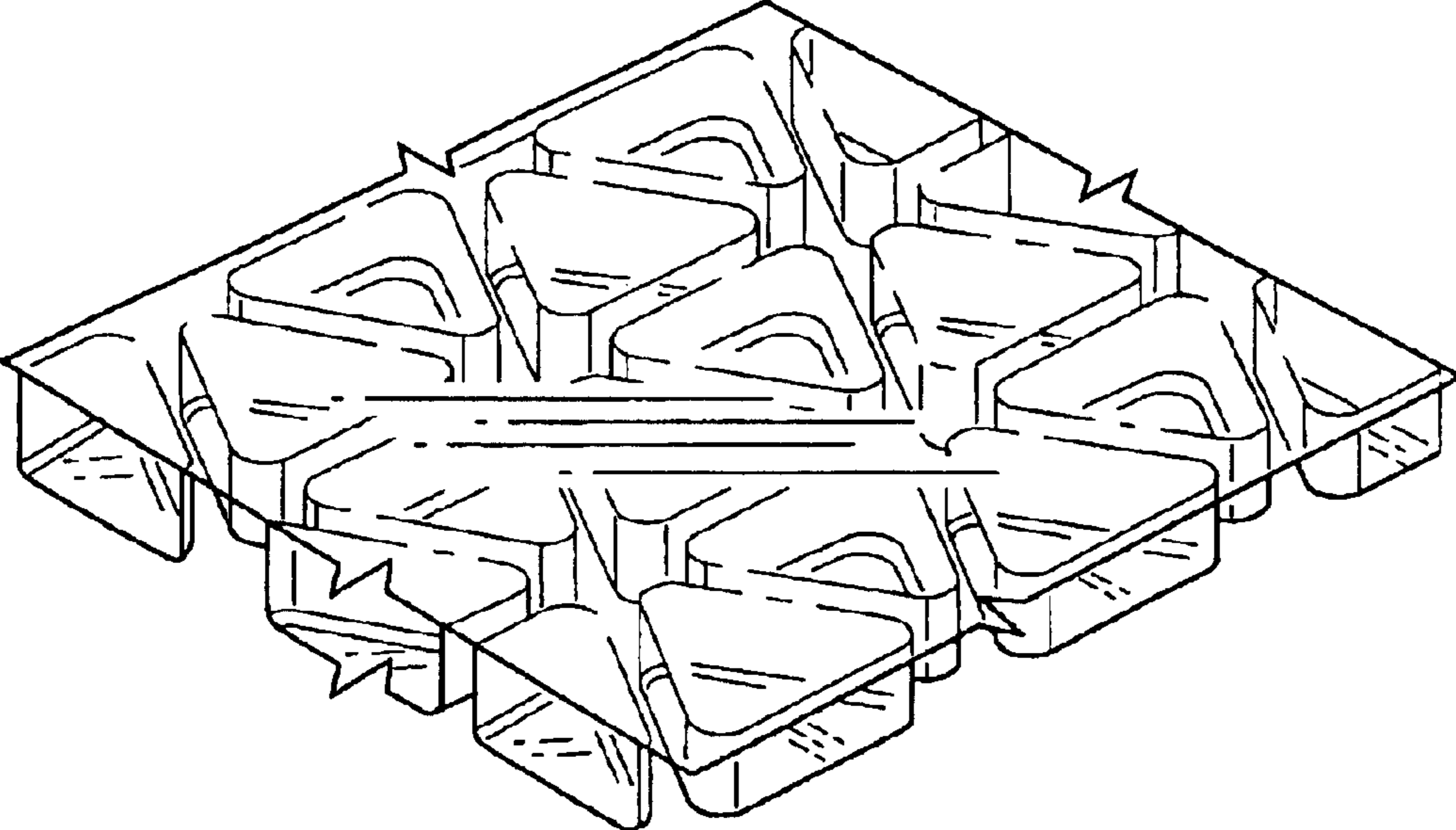


FIG. 1

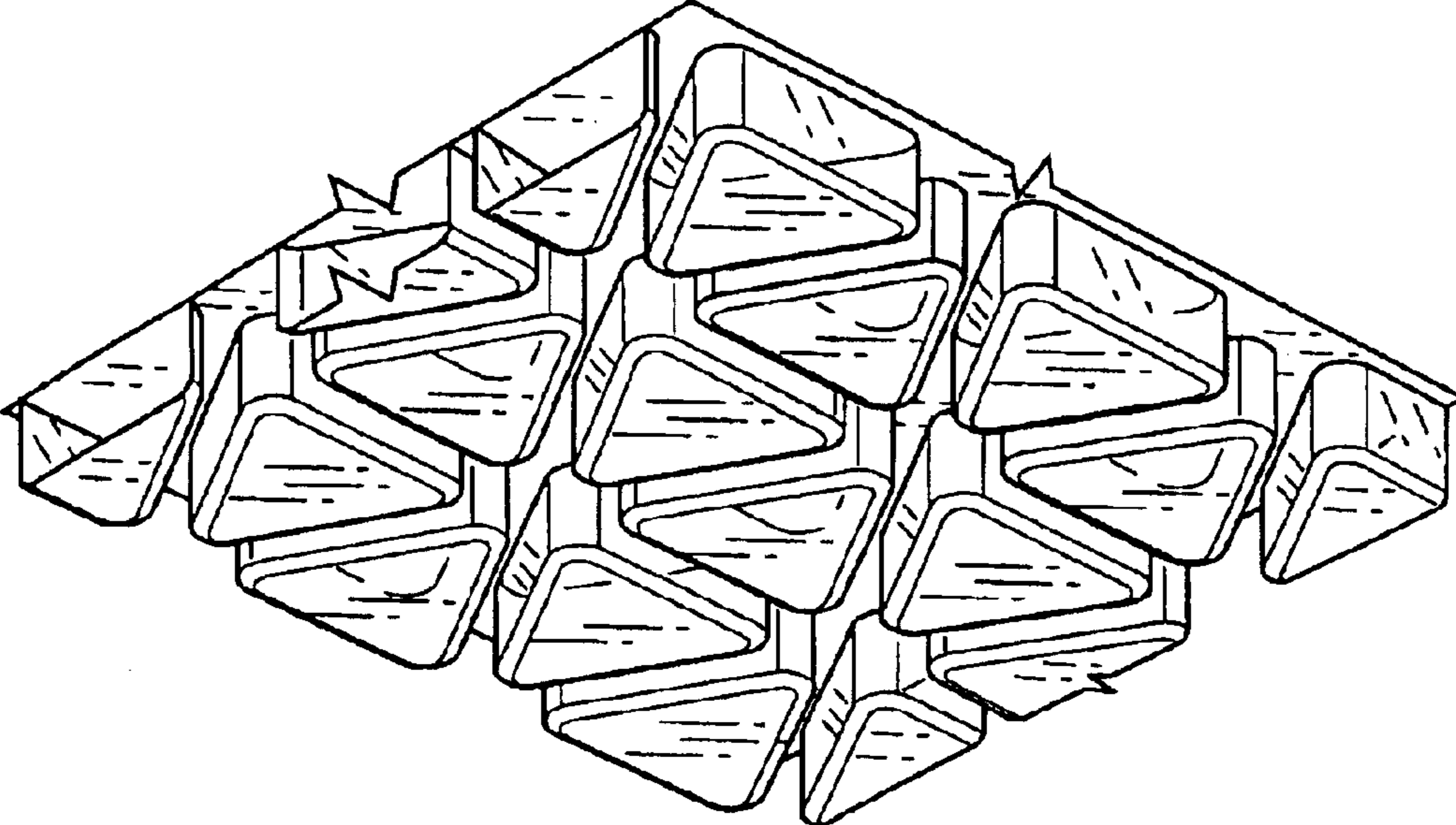


FIG. 2



FIG. 3



FIG. 4



FIG. 5



FIG. 6

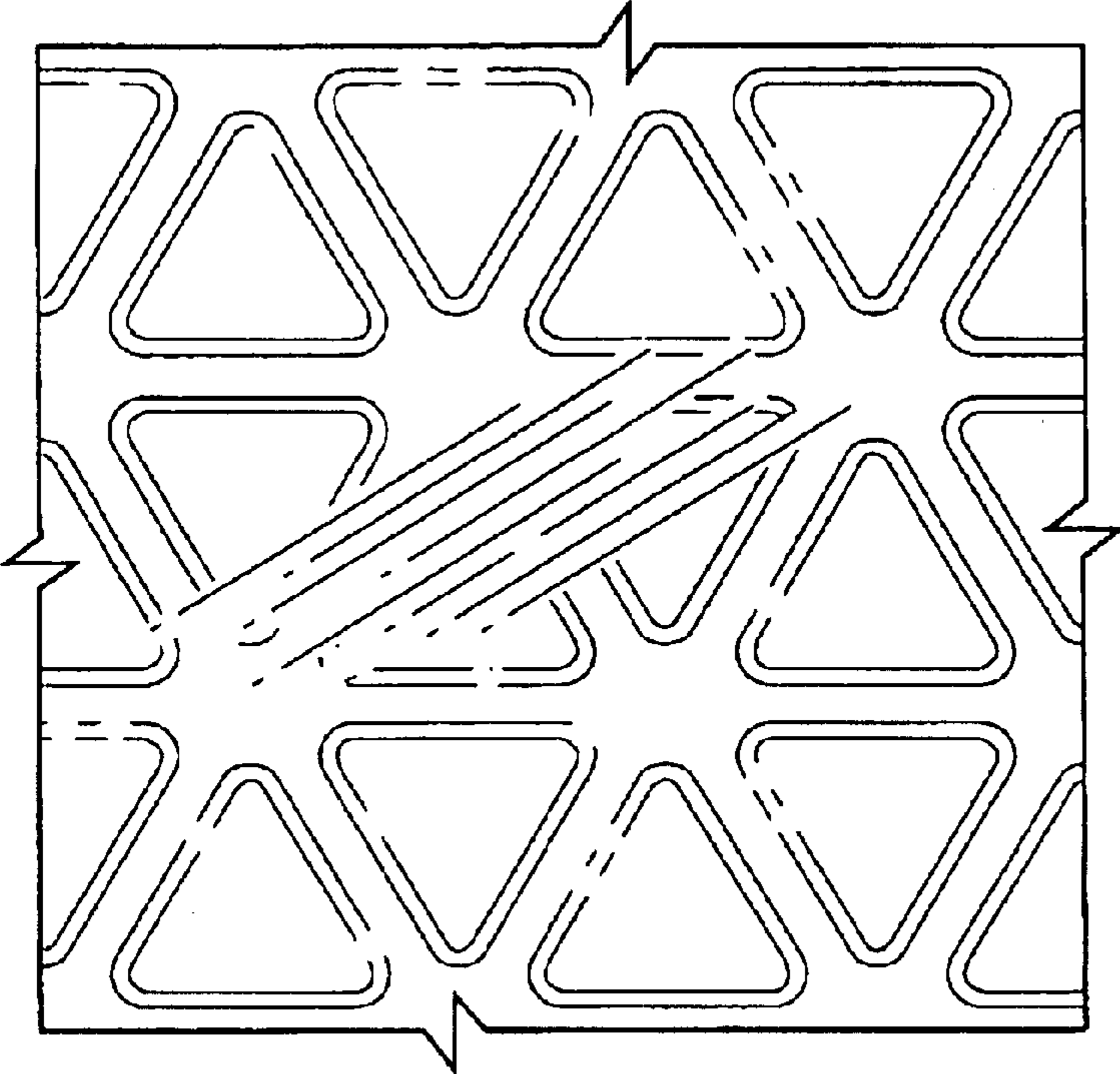


FIG. 7

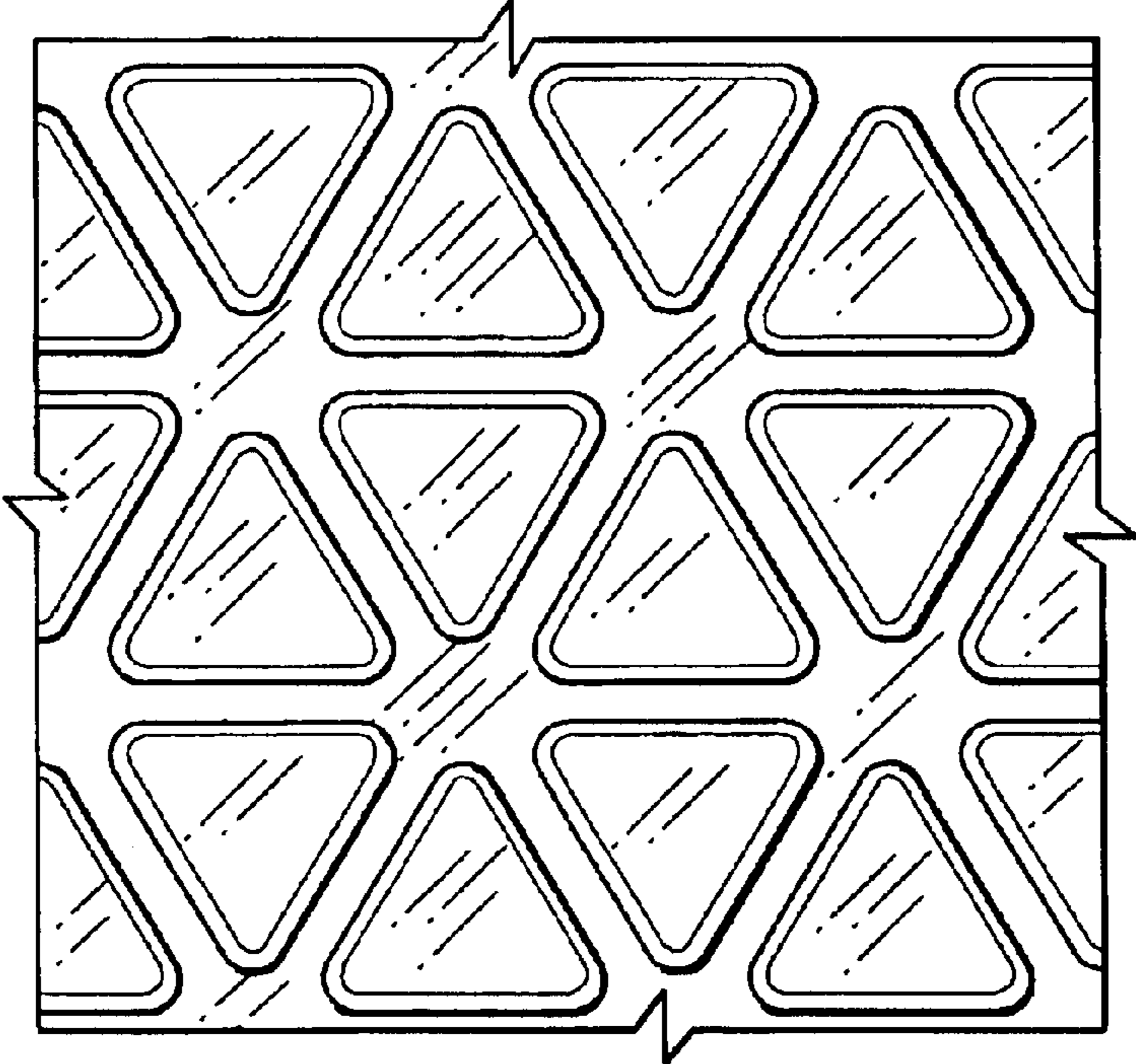


FIG. 8