



US00D498532S

(12) **United States Design Patent**
Sawford

(10) **Patent No.:** **US D498,532 S**
(45) **Date of Patent:** **** Nov. 16, 2004**

(54) **ENDOSCOPE HANGER**

5,520,607 A * 5/1996 Frassica et al. 600/102

(75) **Inventor:** **Michael David Sawford, Essex (GB)**

OTHER PUBLICATIONS

(73) **Assignee:** **Keymed (Medical & Industrial Equipment) Limited (GB)**

Trade Literature—Olympus Wm-N60 and WM-D60 Workstations, Exera; (4 pages); May 2001.

(**) **Term:** **14 Years**

* cited by examiner

(21) **Appl. No.:** **29/173,780**

Primary Examiner—Stella Reid

(22) **Filed:** **Jan. 7, 2003**

(74) *Attorney, Agent, or Firm*—Smith, Gambrell & Russell, LLP

(30) **Foreign Application Priority Data**

(57) **CLAIM**

Jul. 8, 2002 (GB) 3005135

The ornamental design for an endoscope hanger, as shown.

(51) **LOC (7) Cl.** **24-01**

DESCRIPTION

(52) **U.S. Cl.** **D24/138; D24/128**

FIG. 1 is a front elevational view of an endoscope hanger of the present invention;

(58) **Field of Search** **D24/138; 206/363,**

206/365, 364; 248/200, 205.1, 205.3, 121,
127; 600/101, 102, 109

FIG. 2 is a rear elevational view thereof;

FIG. 3 is a top plan view thereof;

FIG. 4 is a bottom plan view thereof;

FIG. 5 is a right side elevational view thereof;

FIG. 6 is a left side elevational view thereof; and,

FIG. 7 is a front perspective view from above and to the right side.

(56) **References Cited**

U.S. PATENT DOCUMENTS

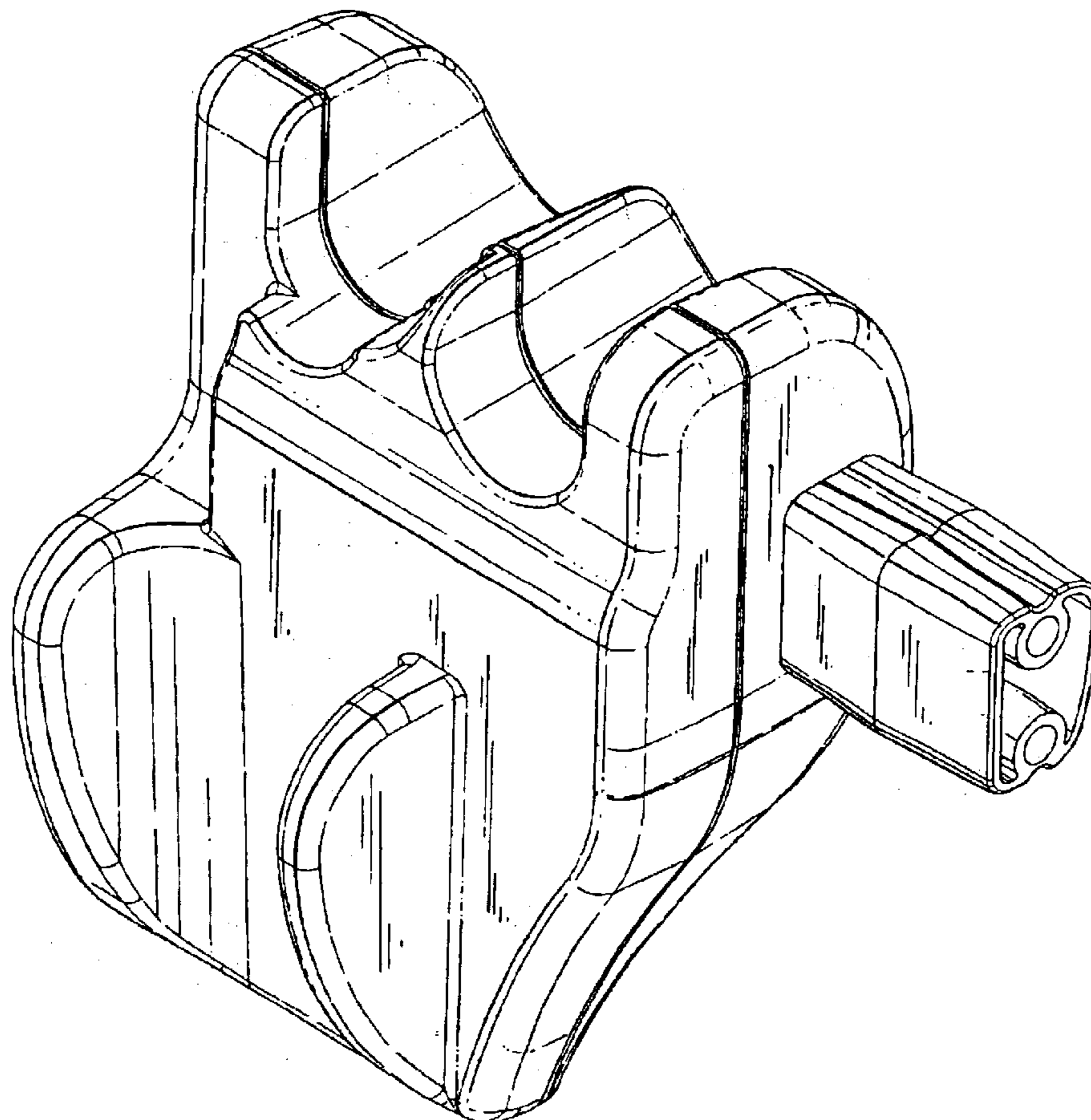
4,025,015 A * 5/1977 Kolic 248/205.3

4,711,352 A * 12/1987 Williams et al. 206/365

5,337,731 A * 8/1994 Takahashi et al. 600/109

5,415,287 A * 5/1995 Hamano et al. 206/363

1 Claim, 7 Drawing Sheets



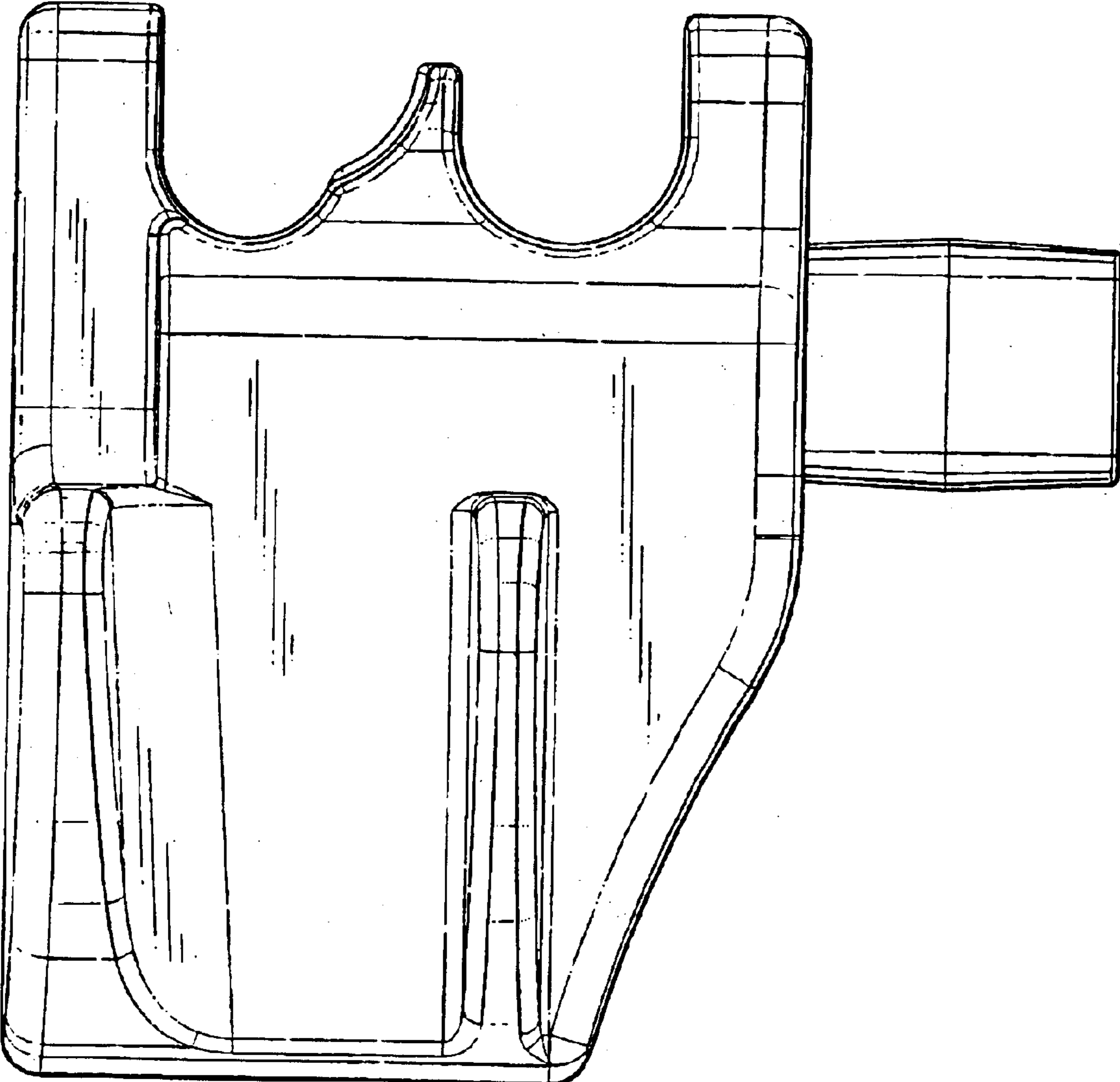


FIG. 1.

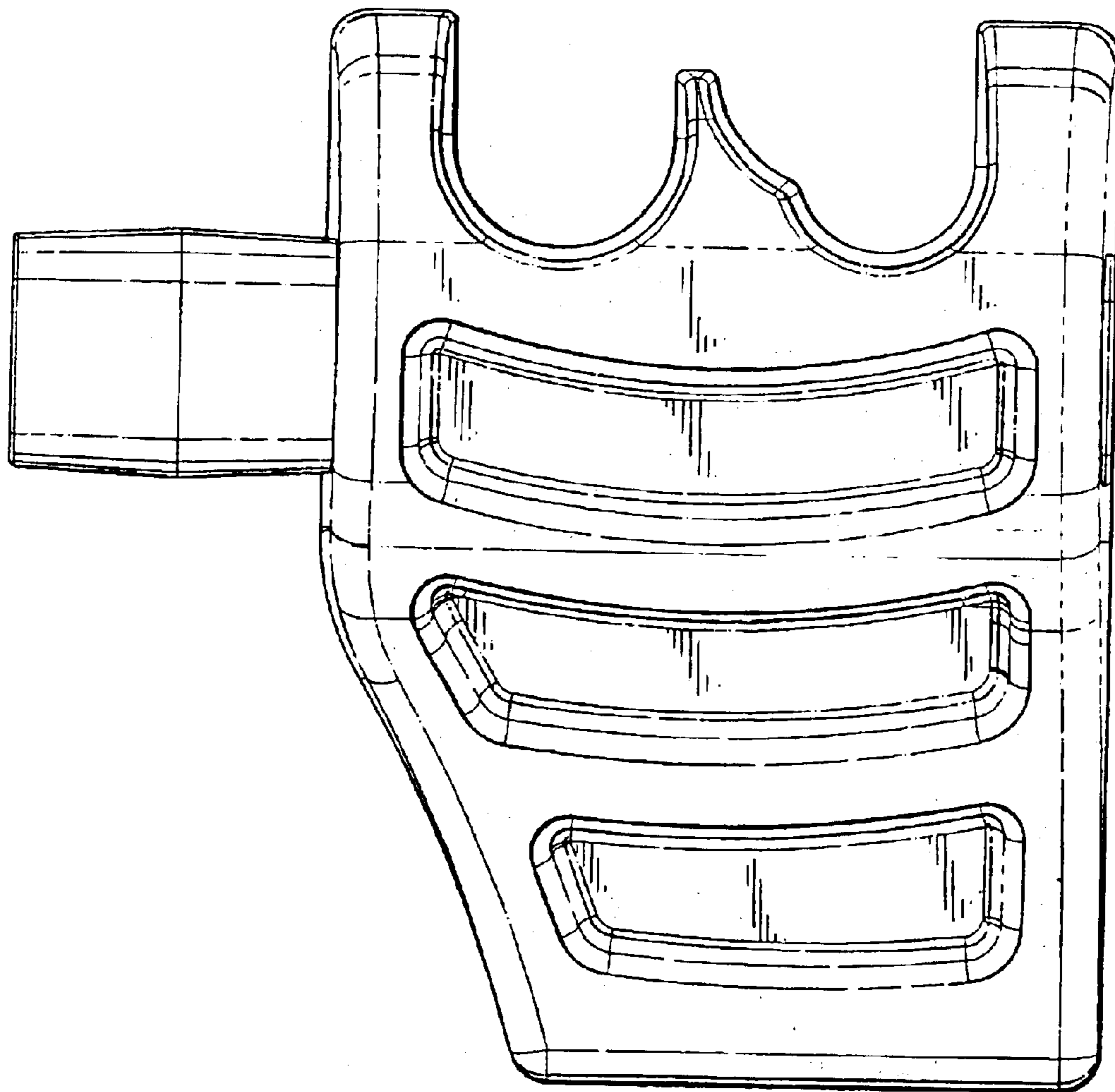


FIG. 2.

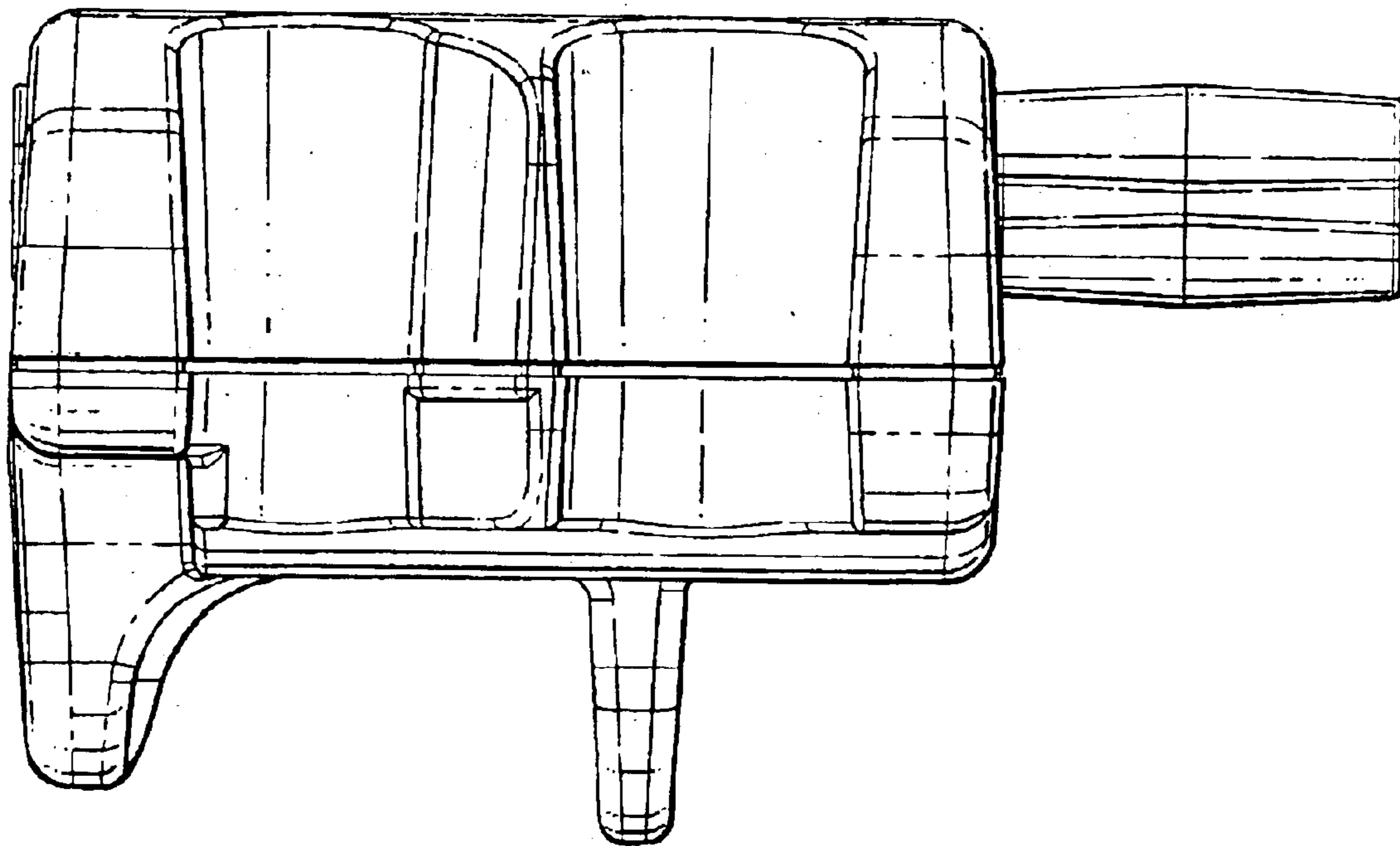


FIG. 3.

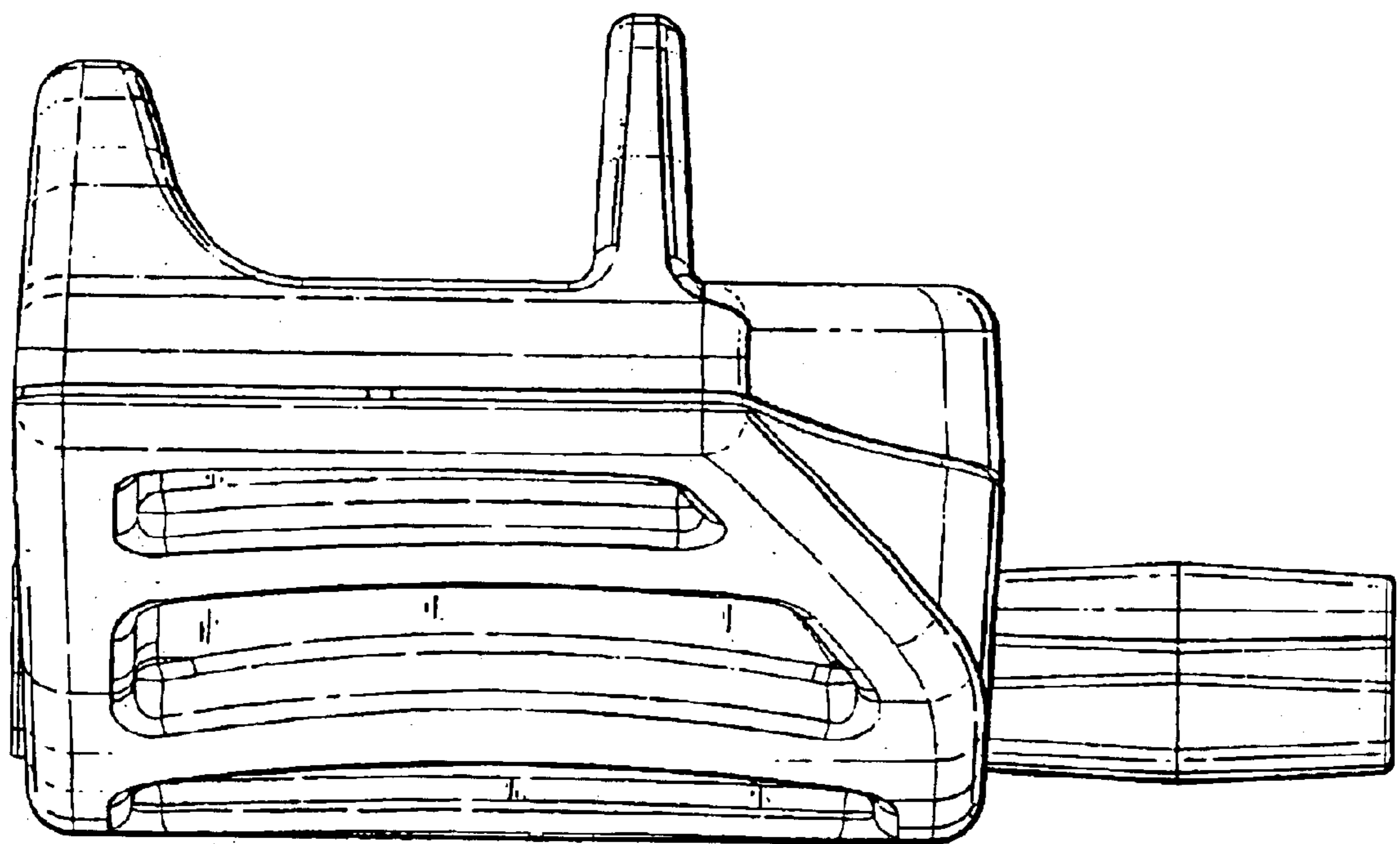


FIG. 4.

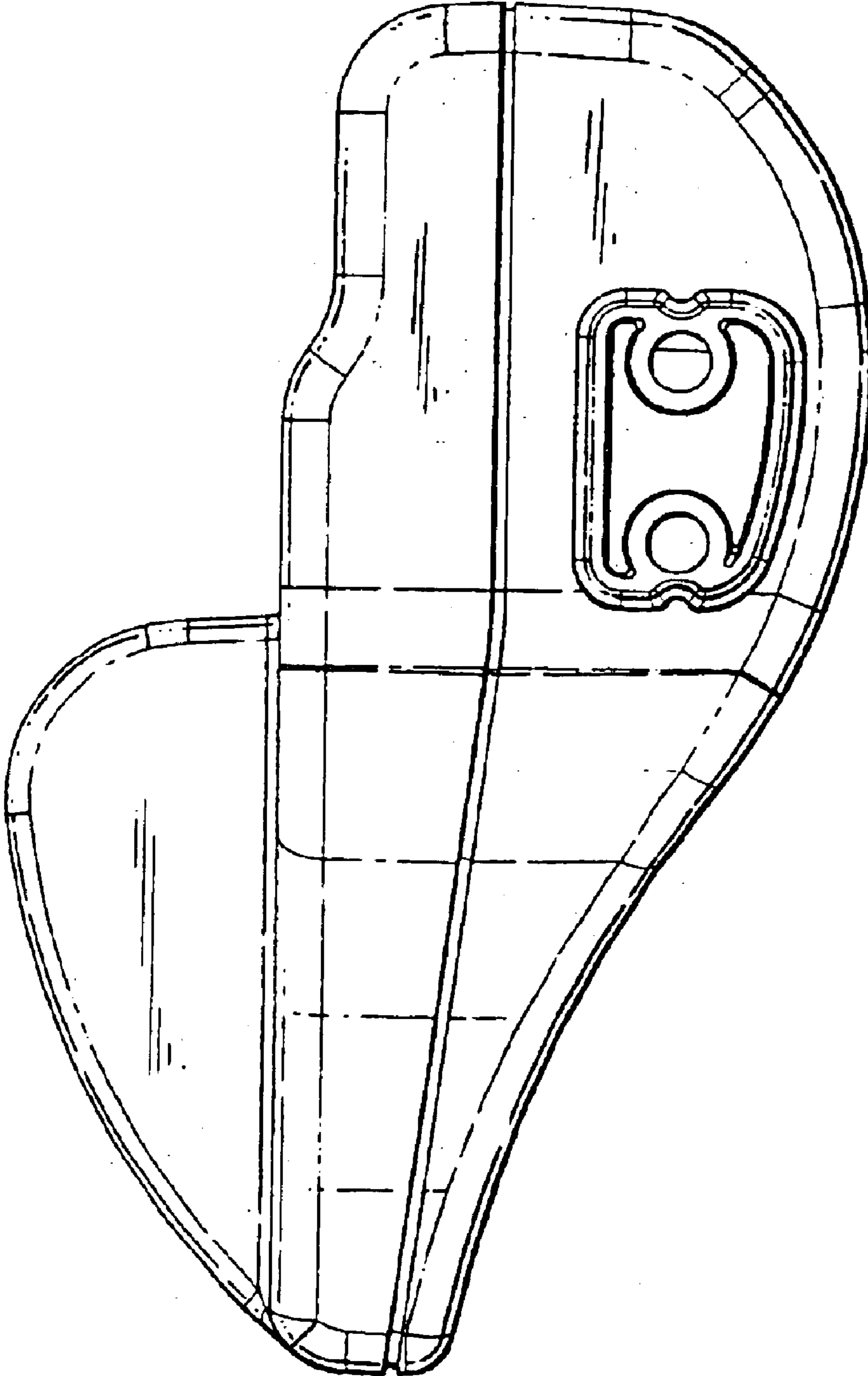


FIG. 5.

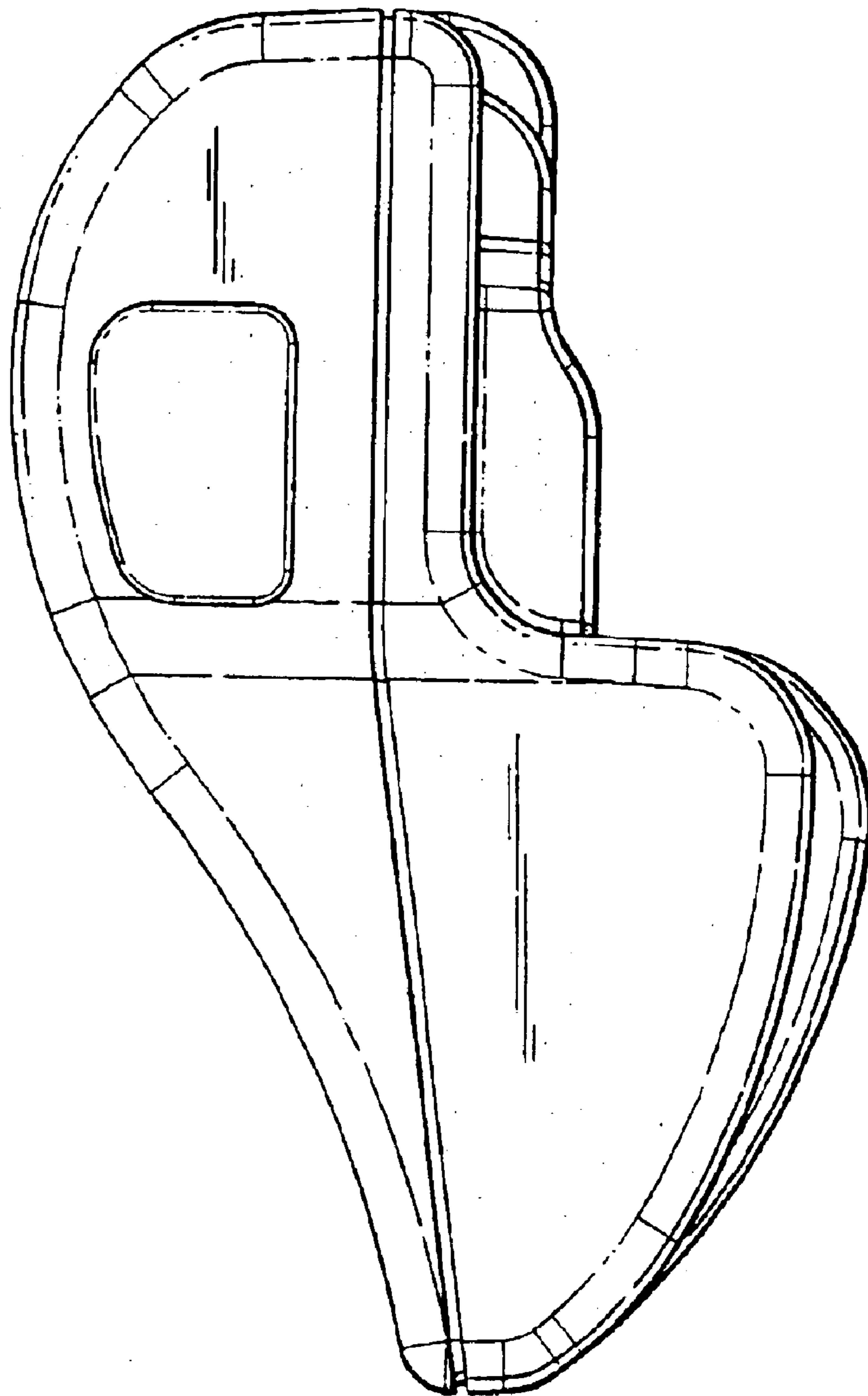


FIG. 6.

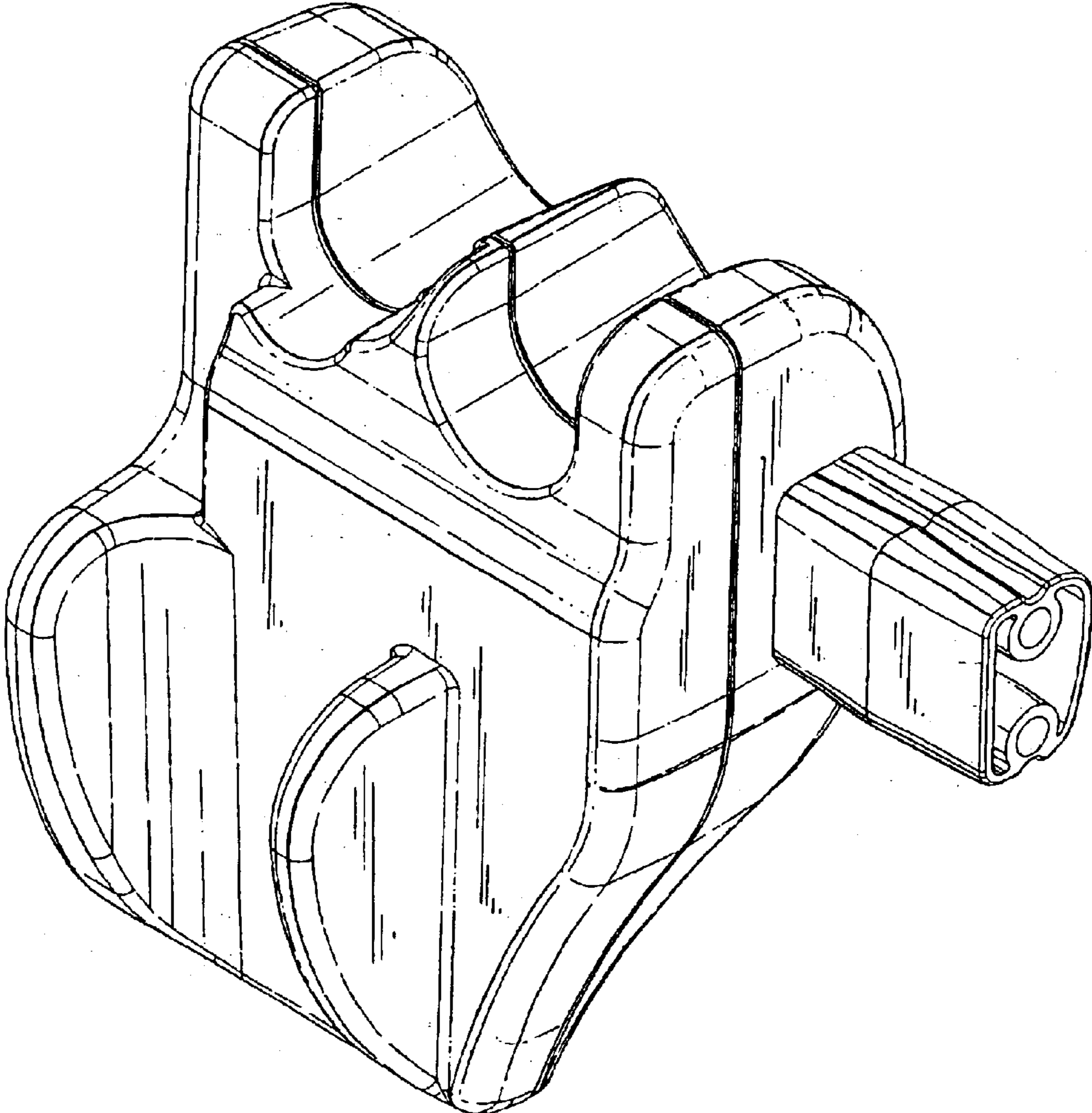


FIG. 7.