



US00D498530S

(12) **United States Design Patent** (10) **Patent No.:** **US D498,530 S**
Smart (45) **Date of Patent:** **** Nov. 16, 2004**

- (54) **PORTION OF FULL-FACE MASK**
- (75) Inventor: **Gregory S. Smart**, Randwick (AU)
- (73) Assignee: **ResMed Limited**, North Ryde (AU)
- (**) Term: **14 Years**
- (21) Appl. No.: **29/192,599**
- (22) Filed: **Oct. 28, 2003**

Related U.S. Application Data

- (62) Division of application No. 29/165,594, filed on Aug. 14, 2002, which is a division of application No. 29/155,029, filed on Jan. 14, 2002, now Pat. No. Des. 464,427, which is a division of application No. 29/142,700, filed on Jun. 1, 2001, now Pat. No. Des. 459,800.
- (51) **LOC (7) Cl.** **29-02**
- (52) **U.S. Cl.** **D24/110.4; D24/110.1**
- (58) **Field of Search** **D24/110.1, 110.4, D24/110.5, 164; 128/207.13, 205, 206.28, 206.27, 202.27, 207.18, 204.11, 207.11, 206.24, 207.12**

(56) **References Cited**

U.S. PATENT DOCUMENTS

D236,033 S	7/1975	Dryden
5,243,971 A	9/1993	Sullivan et al.
5,542,128 A	8/1996	Lomas
5,662,101 A	9/1997	Ogden et al.
D428,139 S	7/2000	Smart
D430,663 S	9/2000	Smart
6,112,746 A	9/2000	Kwok et al.
6,119,693 A	9/2000	Kwok et al.
D443,355 S	6/2001	Gunaratnam et al.
6,357,441 B1	3/2002	Kwok et al.
D458,365 S	6/2002	Kopacko et al.
6,412,487 B1	7/2002	Gunaratnam et al.

D468,421 S * 1/2003 Smart D24/110.1
6,581,594 B1 * 6/2003 Drew et al. 128/207.13

* cited by examiner

Primary Examiner—Ian Simmons

(74) *Attorney, Agent, or Firm*—Nixon & Vanderhye P.C.

(57) **CLAIM**

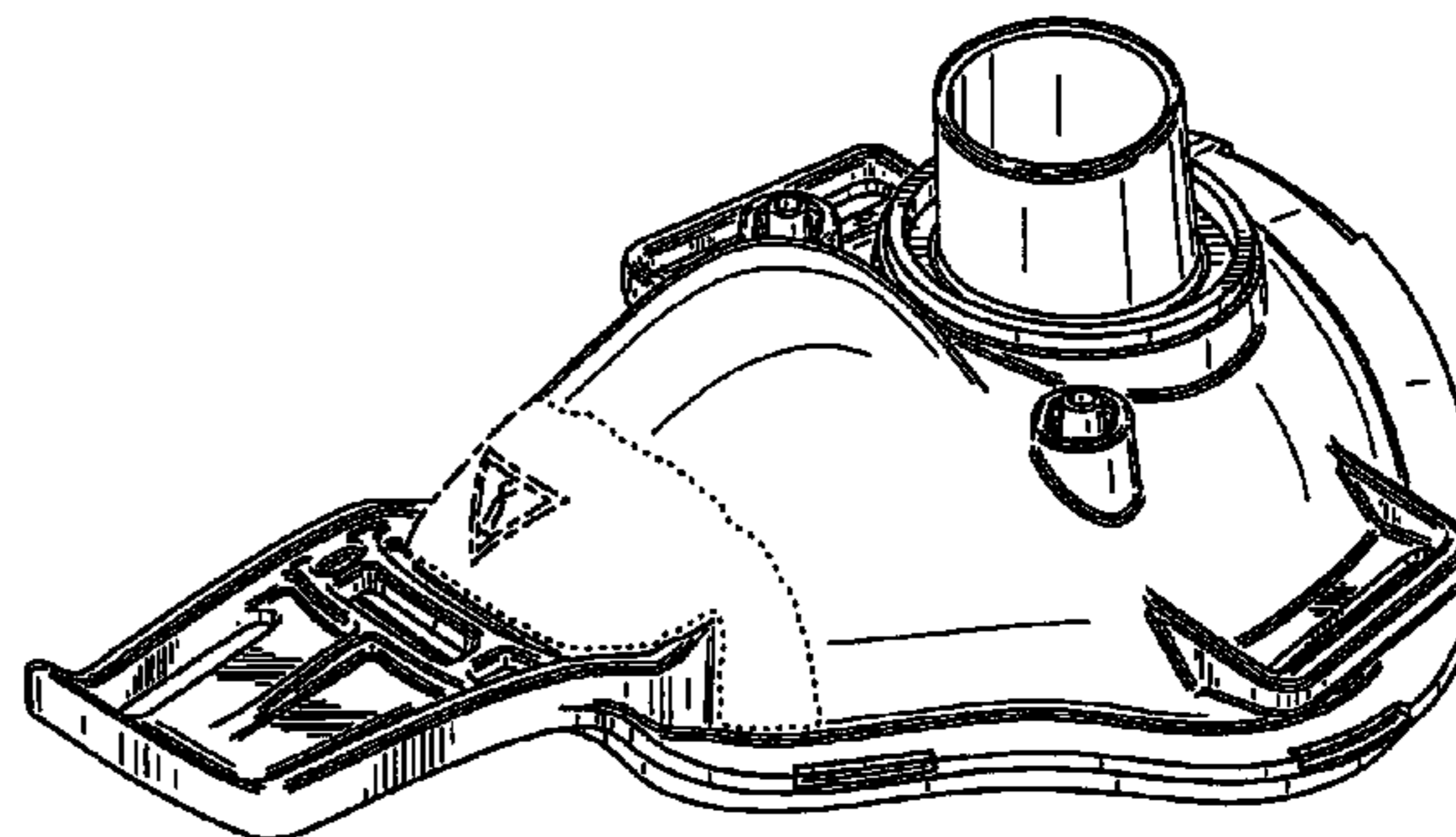
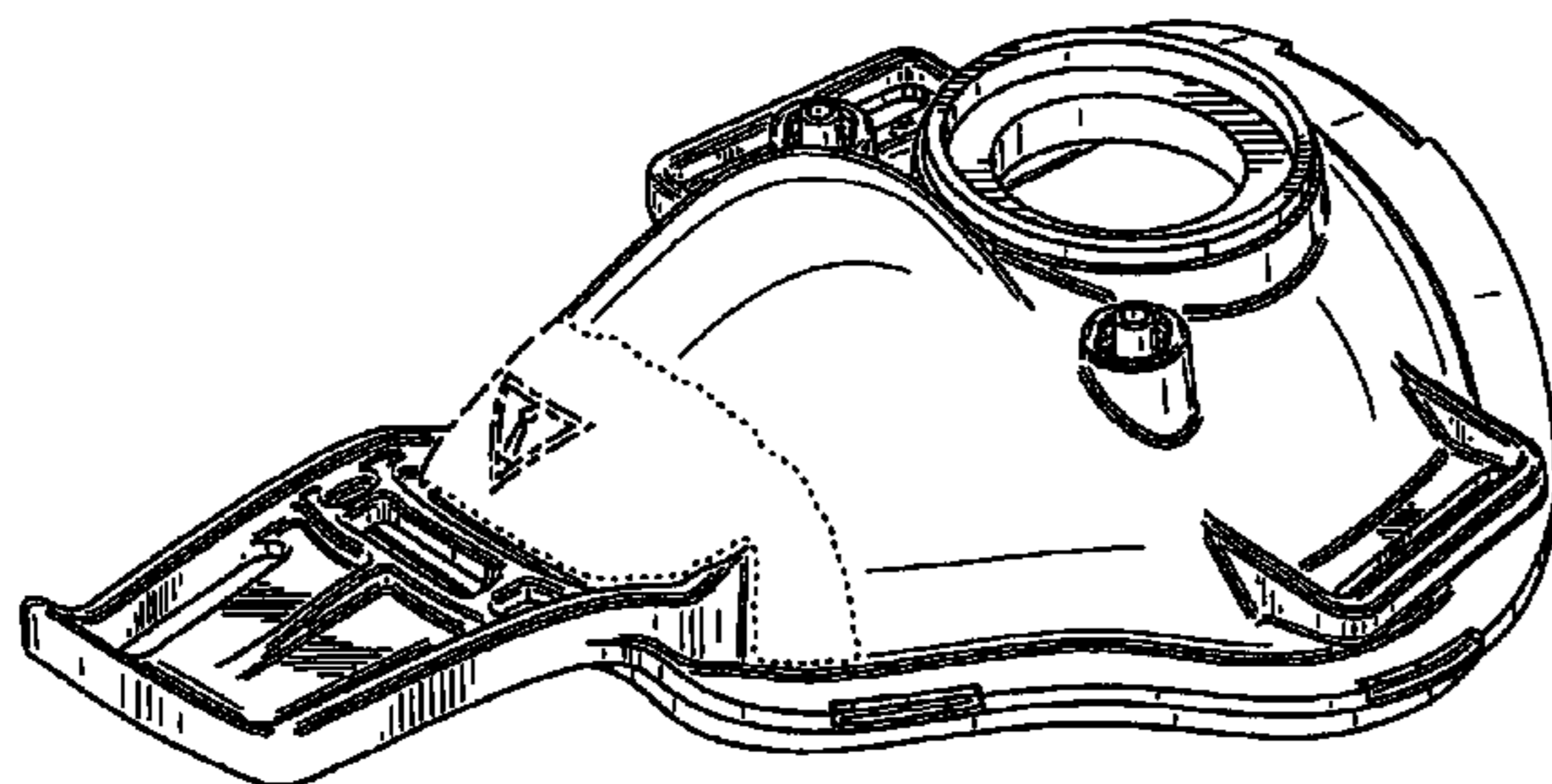
The ornamental design for a portion of a full-face mask, as shown and described.

DESCRIPTION

FIG. 1 is an isometric view of a full face mask according to a first embodiment that has a low-profile connector; FIG. 2 is an isometric view of a full face mask according to a second embodiment that has a high profile connector; FIG. 3 is a right side view of a portion of a full-face mask according to the second embodiment; FIG. 4 is a front view of a portion of a full-face mask according to the second embodiment; FIG. 5 is a rear view of a portion of a full-face mask according to the second embodiment; FIG. 6 is a bottom view of a portion of a full-face mask according to the second embodiment; FIG. 7 is an isometric view of a portion of a full-face mask according to the second embodiment; FIG. 8 is a left side view of a portion of a full-face mask according to the second embodiment; FIG. 9 is a top view of a portion of a full-face mask according to the second embodiment; and, FIG. 10 is an isometric view of a portion of a full-face mask according to a third embodiment.

Where included, broken lines showing environment or structure are for illustrative purposes only and form no part of the claimed design. The dotted lines indicate the border between claimed and unclaimed subject matter and form no part of the claimed design.

1 Claim, 10 Drawing Sheets



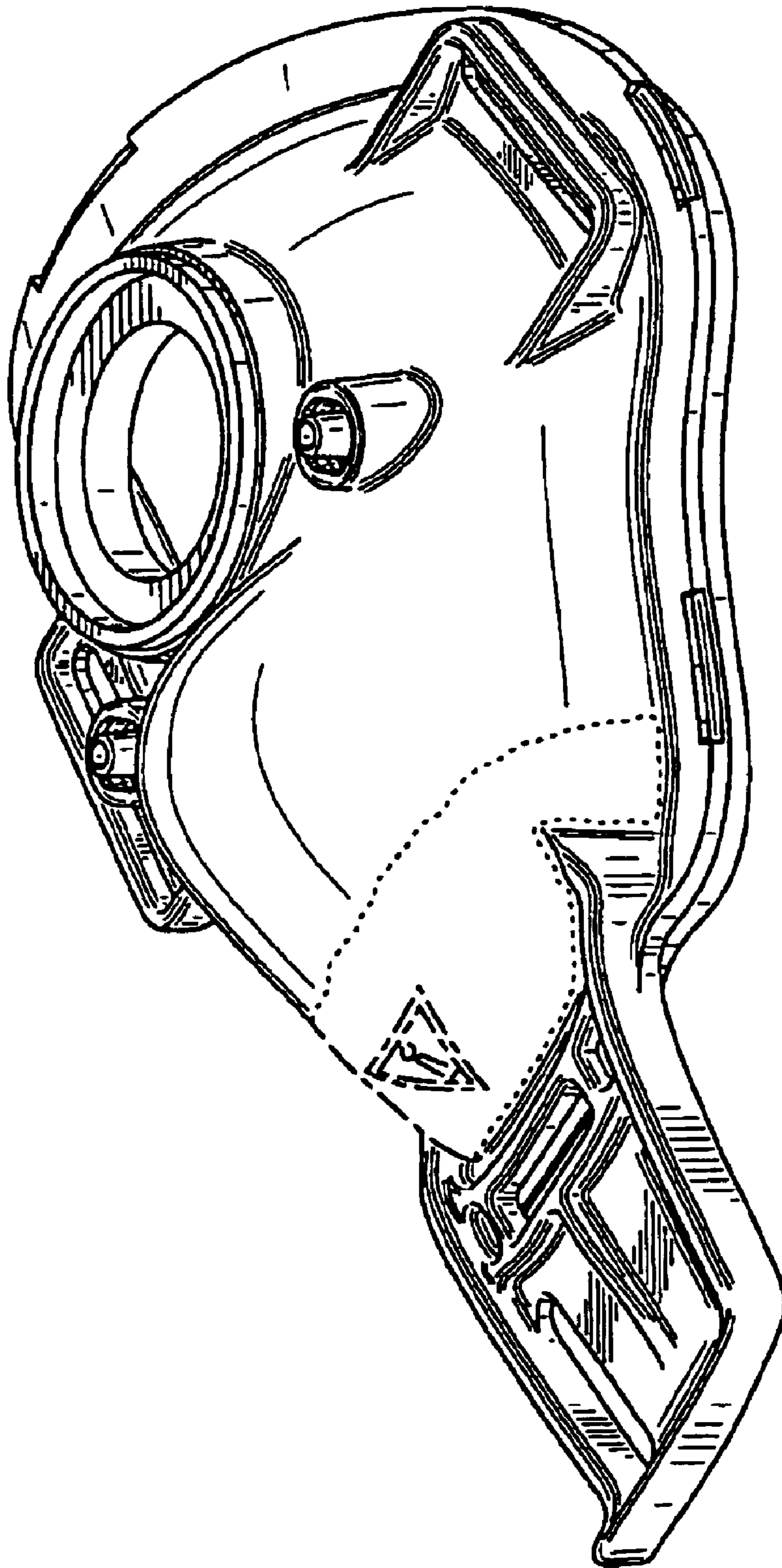


FIG. 1

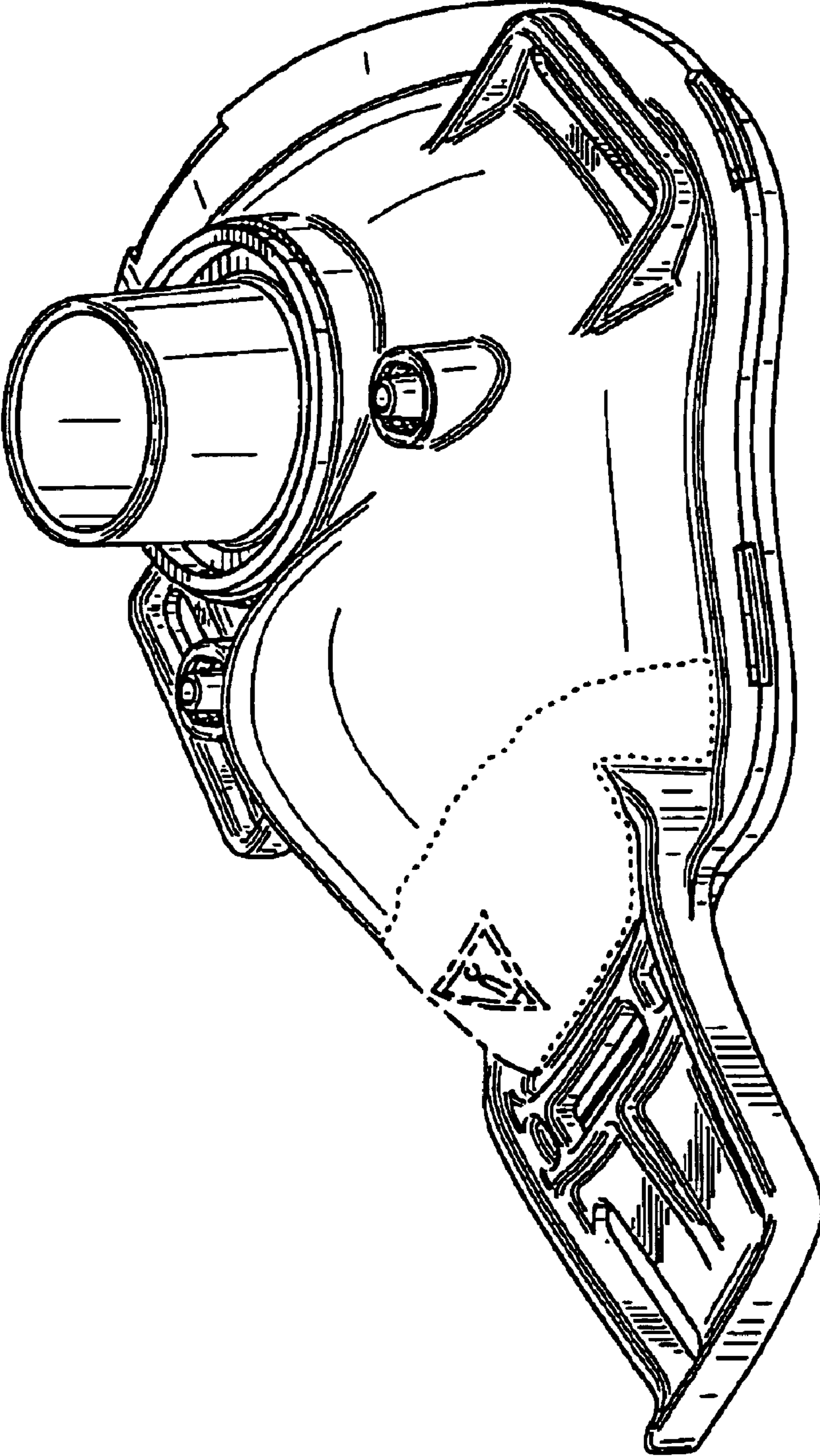


FIG. 2

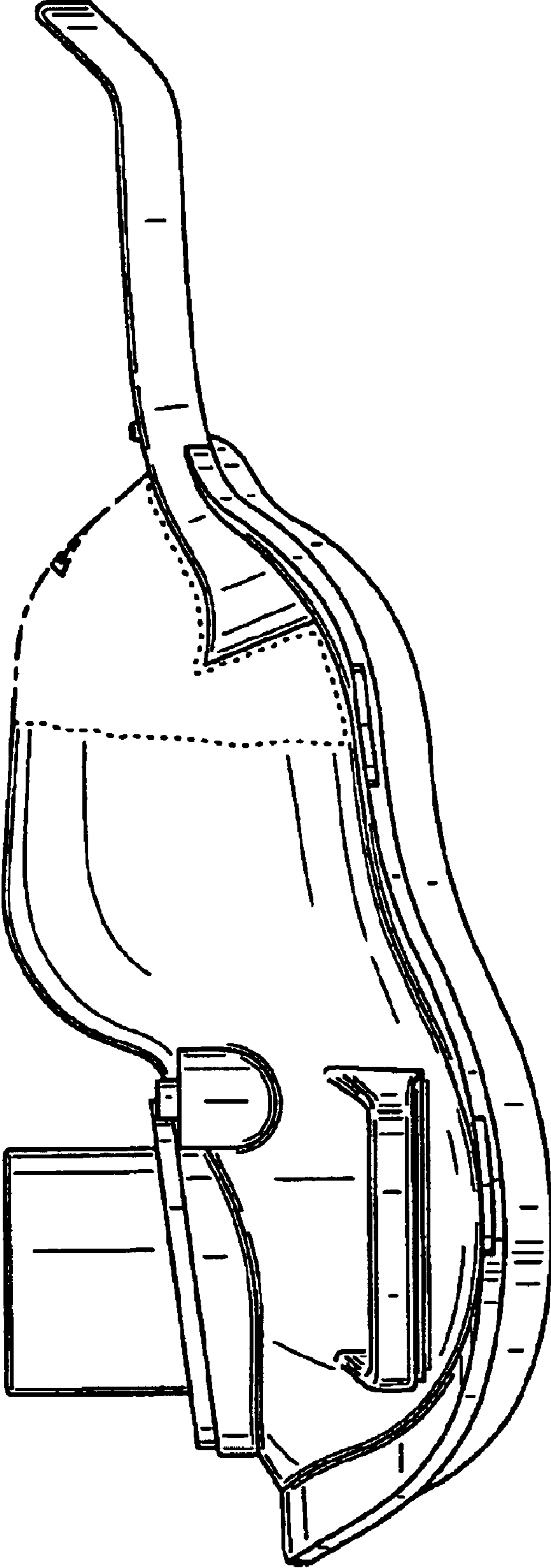


FIG. 3

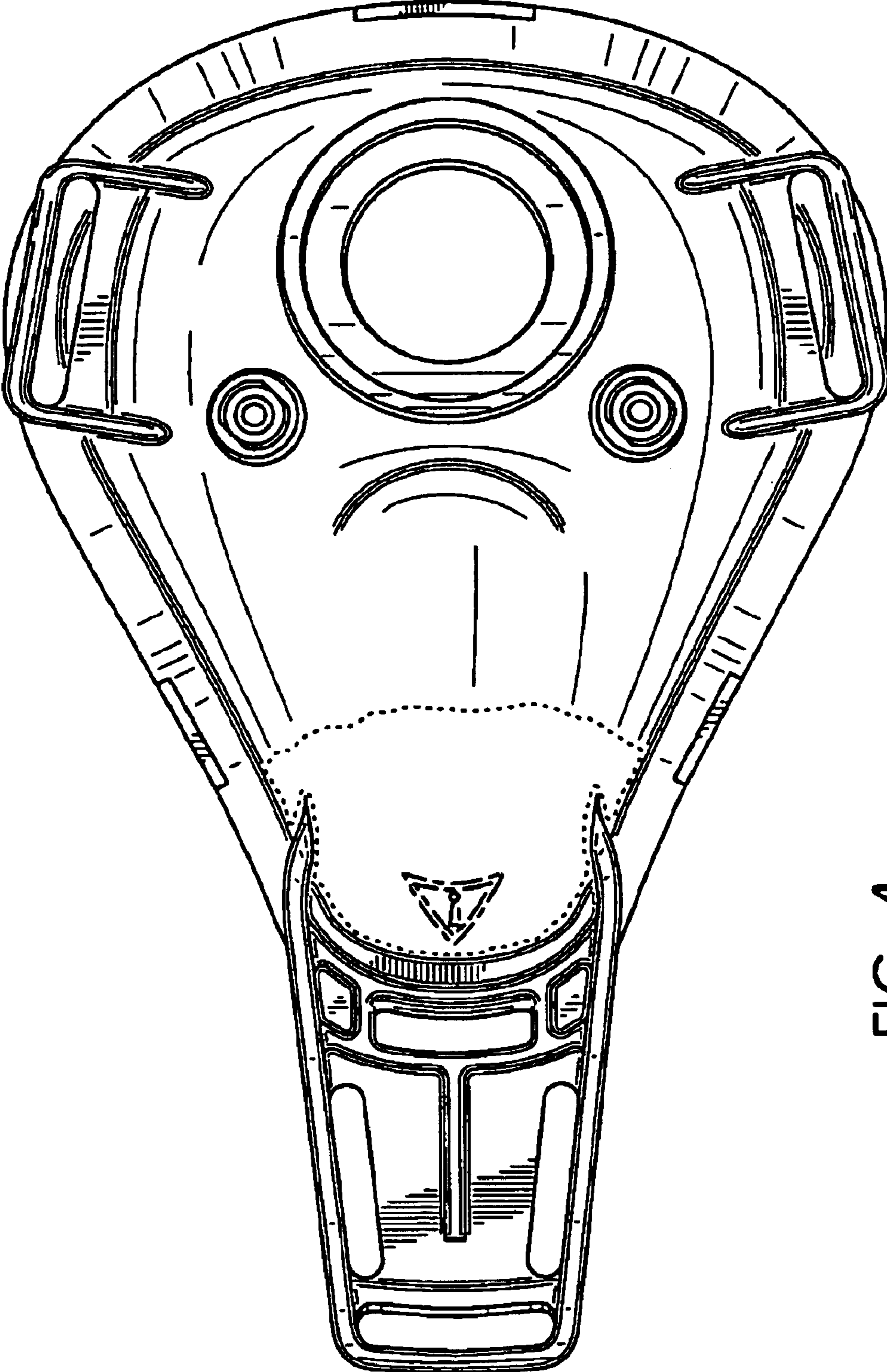


FIG. 4

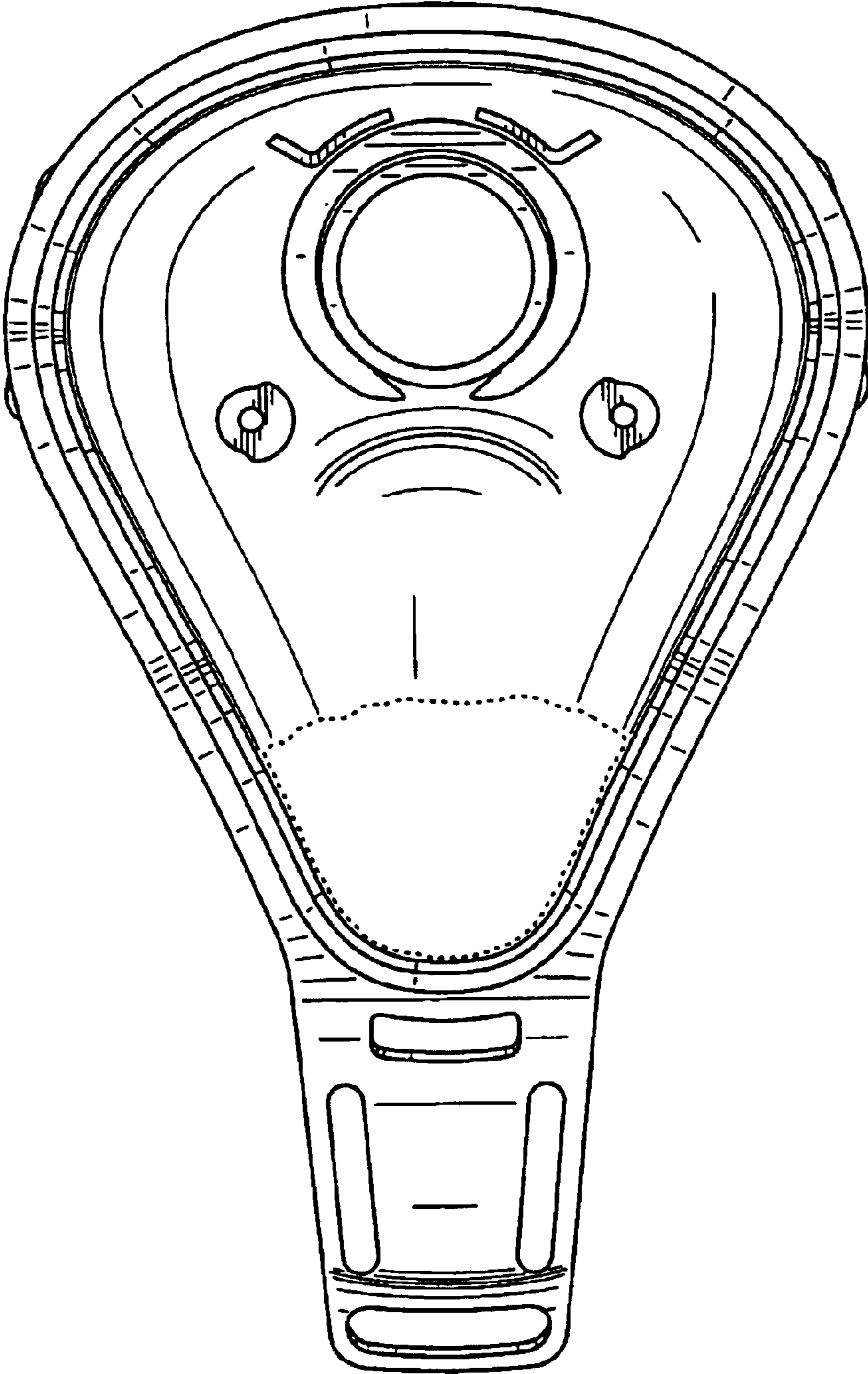


FIG. 5

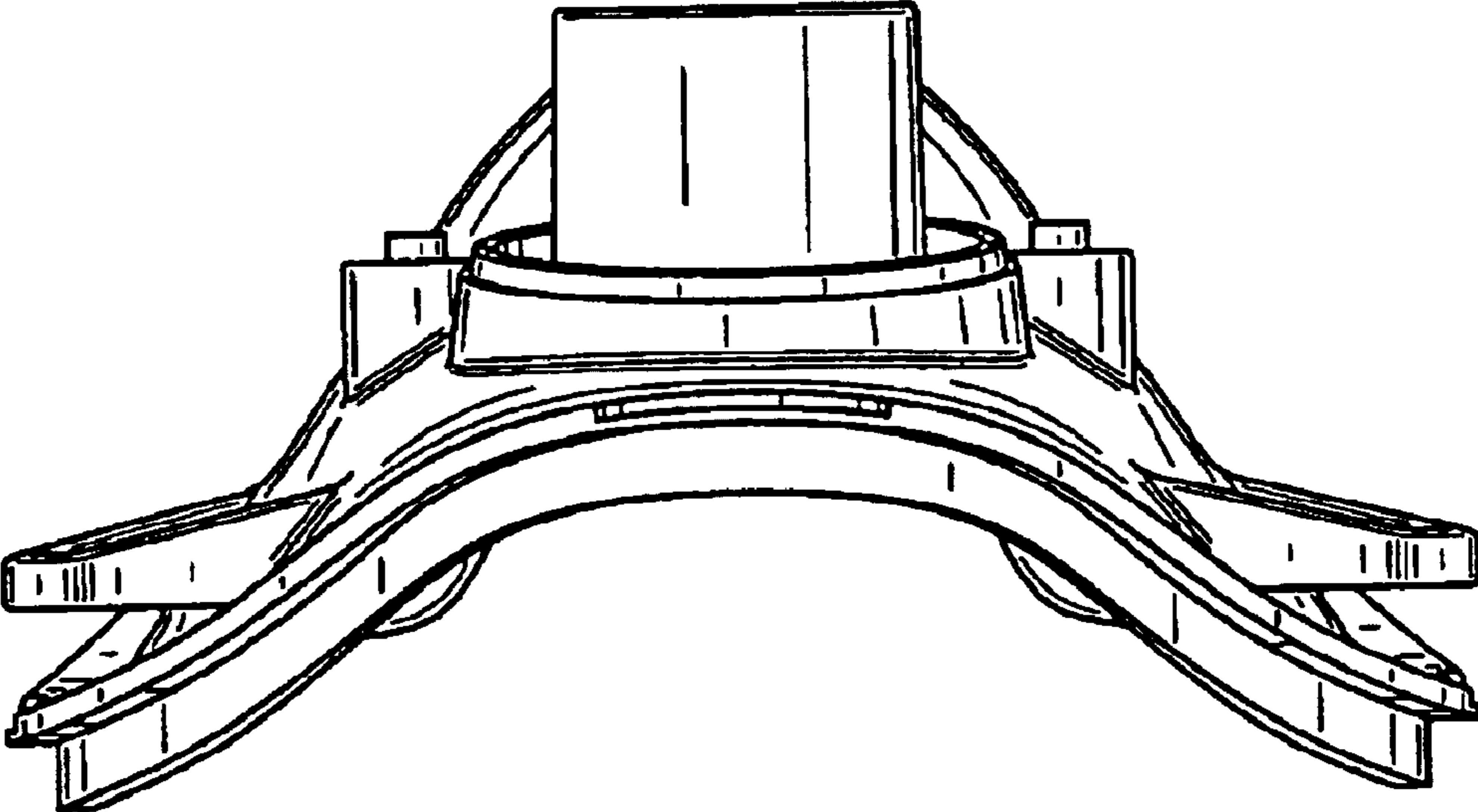


FIG. 6

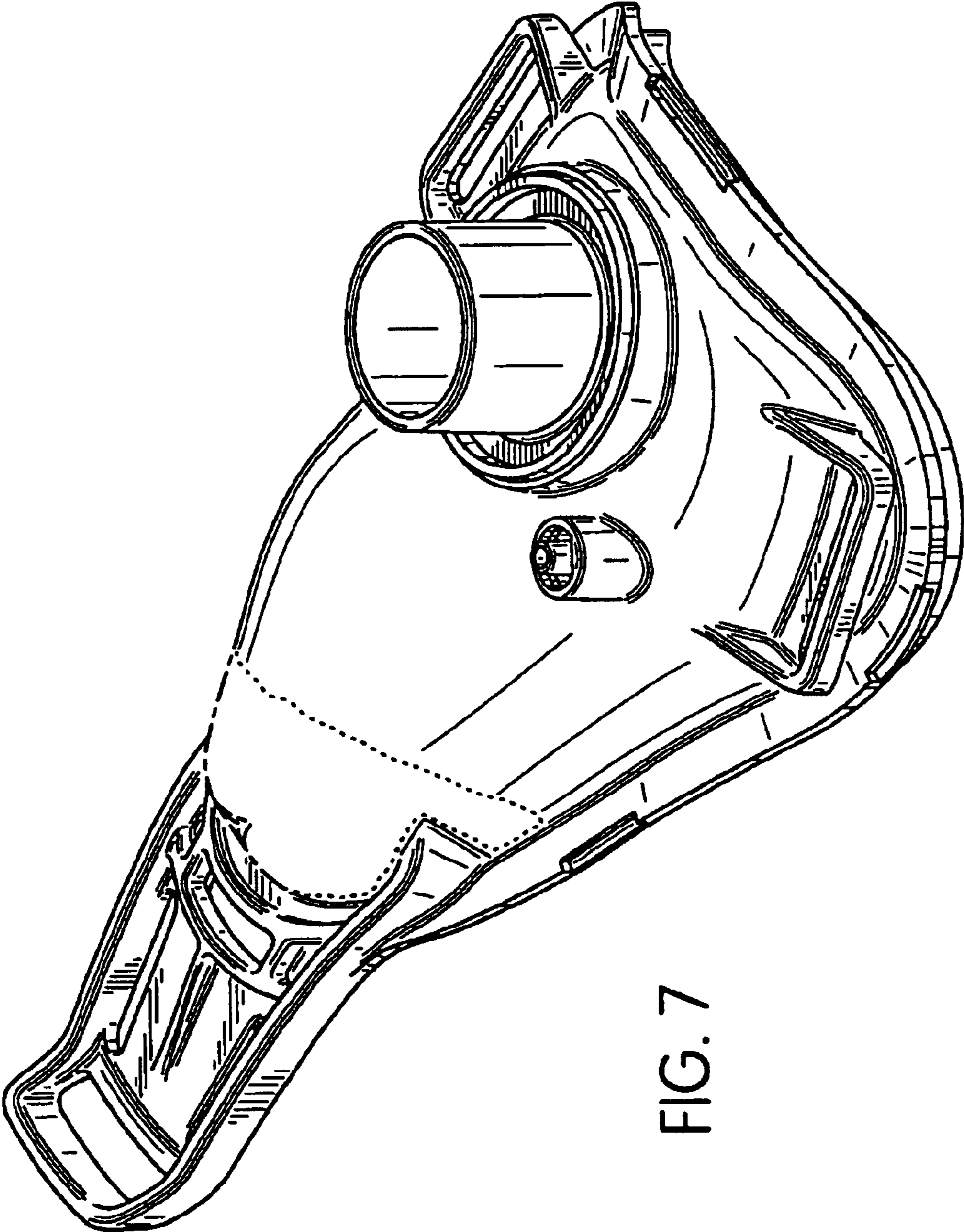


FIG. 7

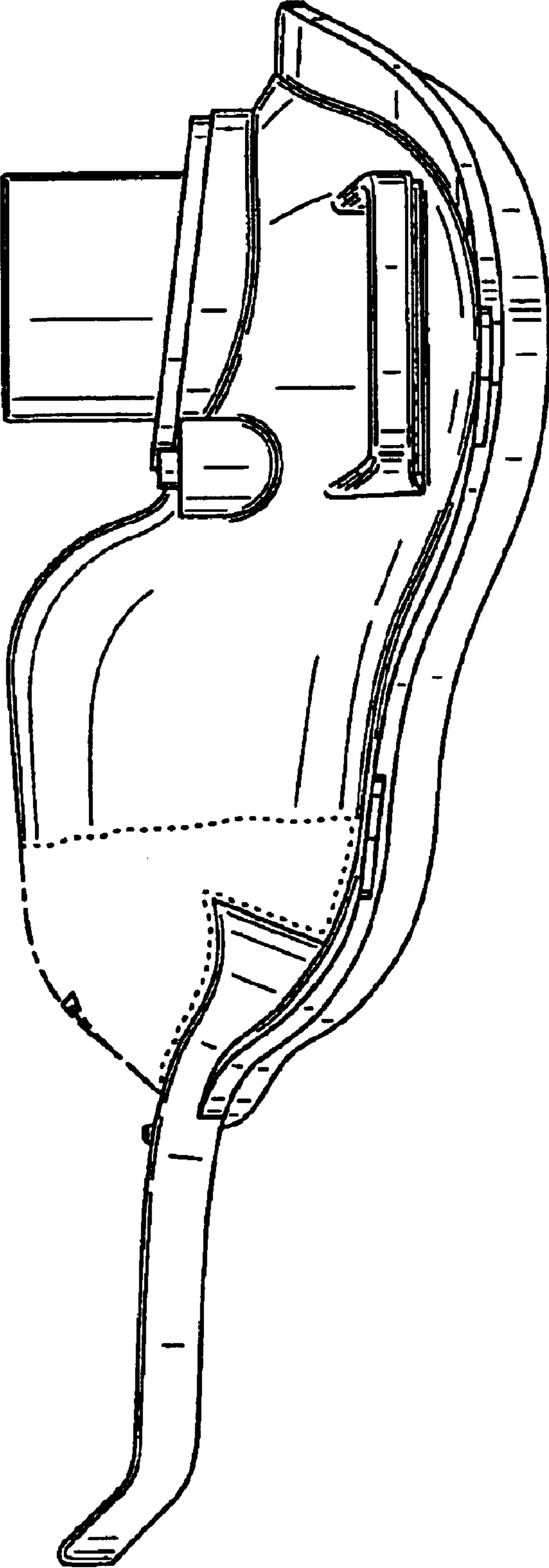


FIG. 8

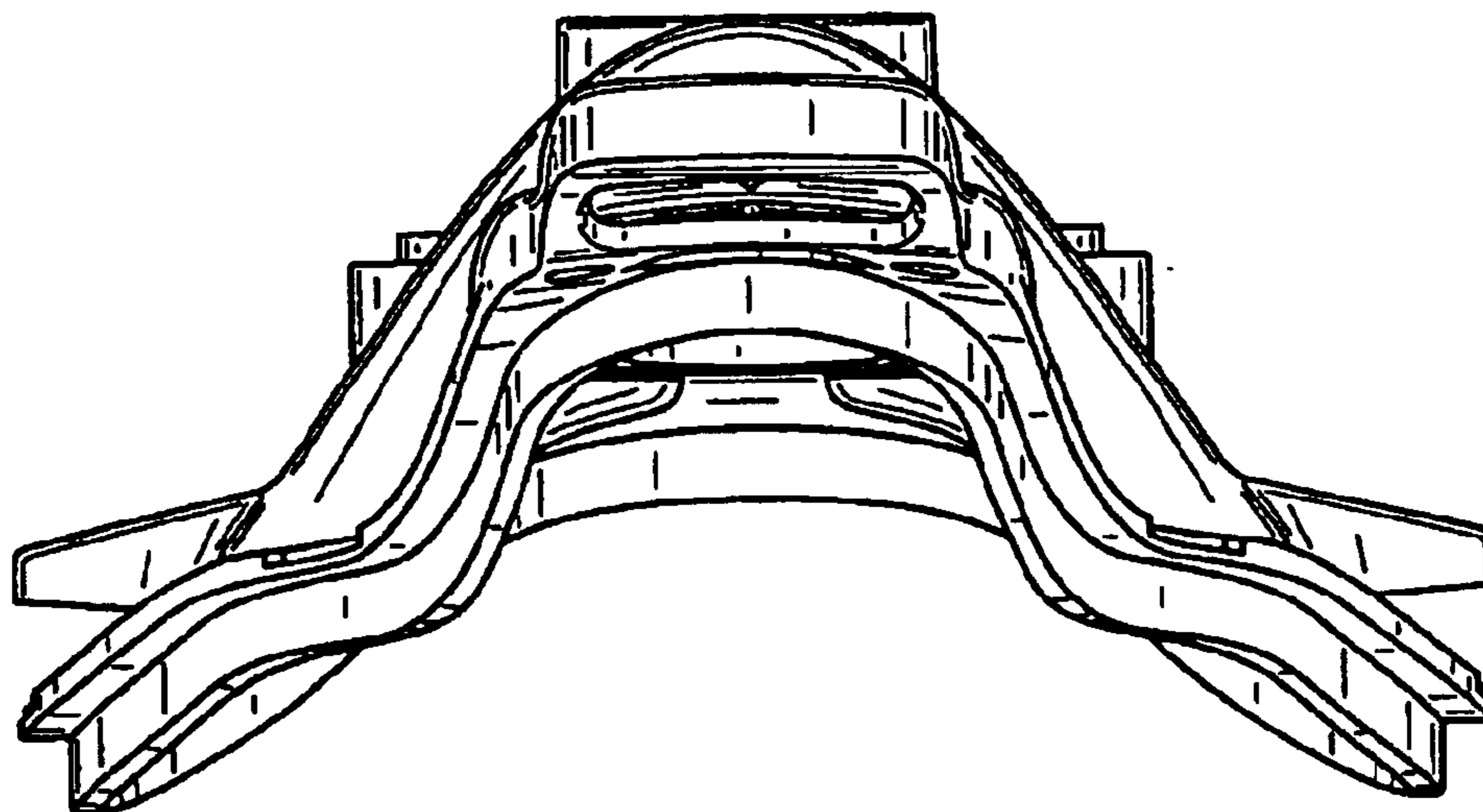


FIG. 9

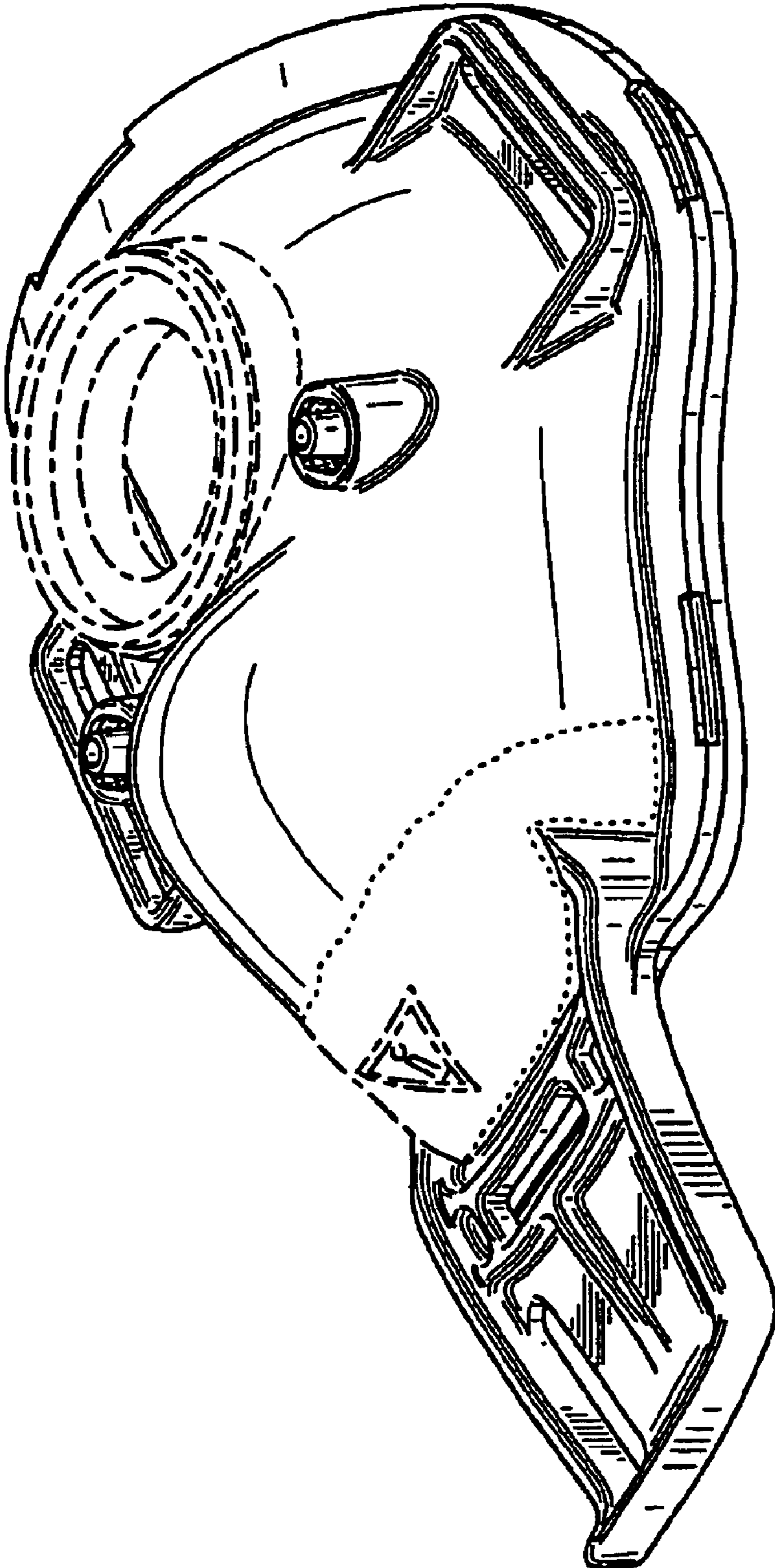


FIG. 10