

US00D498528S

(12) **United States Design Patent**
Van Brunt et al.

(10) **Patent No.:** **US D498,528 S**

(45) **Date of Patent:** **** Nov. 16, 2004**

(54) **AIR PULSE GENERATOR**

(75) Inventors: **Nicholas P. Van Brunt**, White Bear Lake, MN (US); **John A. Kivisto**, Oak Grove, MN (US)

(73) Assignee: **Advanced Respiratory, Inc.**, St. Paul, MN (US)

(**) **Term:** **14 Years**

(21) **Appl. No.:** **29/197,217**

(22) **Filed:** **Jan. 12, 2004**

Related U.S. Application Data

(62) Division of application No. 29/171,044, filed on Nov. 15, 2002.

(51) **LOC (7) Cl.** **29-02**

(52) **U.S. Cl.** **D24/110**

(58) **Field of Search** D24/110, 164;
D15/7, 9, 8; D23/355; 128/200.24, 200.23,
200.18, 200.22, 200.16, 204.14, 204.18,
204.23

(56) **References Cited**

U.S. PATENT DOCUMENTS

4,986,269 A 1/1991 Hakkinen

5,117,819 A 6/1992 Servidio et al.
5,673,687 A * 10/1997 Dobson et al. 128/200.24
5,715,812 A 2/1998 Deighan et al.
D421,298 S 2/2000 Kenyon et al.
D427,675 S * 7/2000 Hansel D24/110
D453,560 S 2/2002 Van Brunt
D454,393 S 3/2002 Lynch et al.
D468,011 S 12/2002 Lithgow et al.
D487,311 S * 3/2004 Lithgow et al. D24/110

* cited by examiner

Primary Examiner—Ian Simmons

(74) *Attorney, Agent, or Firm*—Barnes & Thornburg

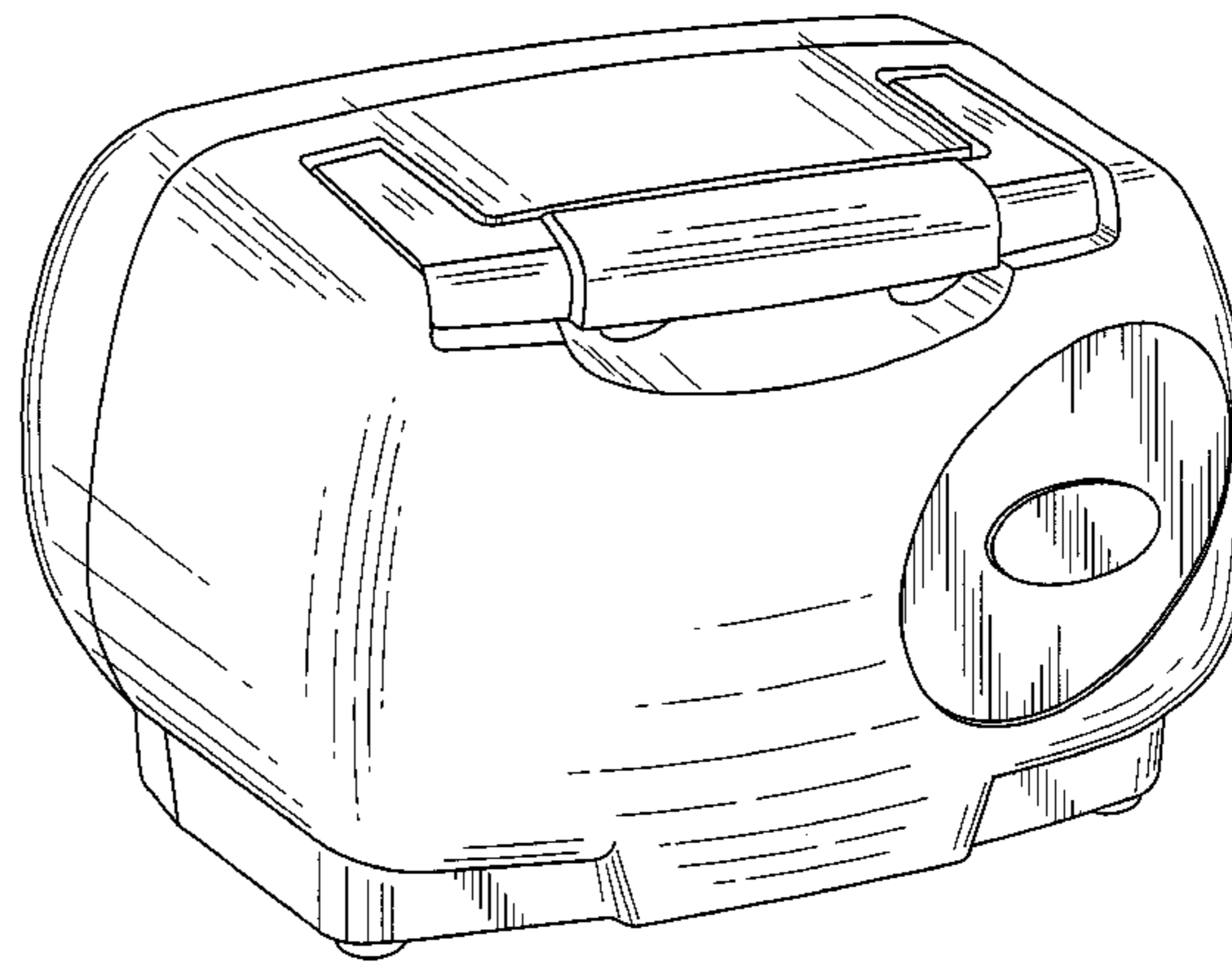
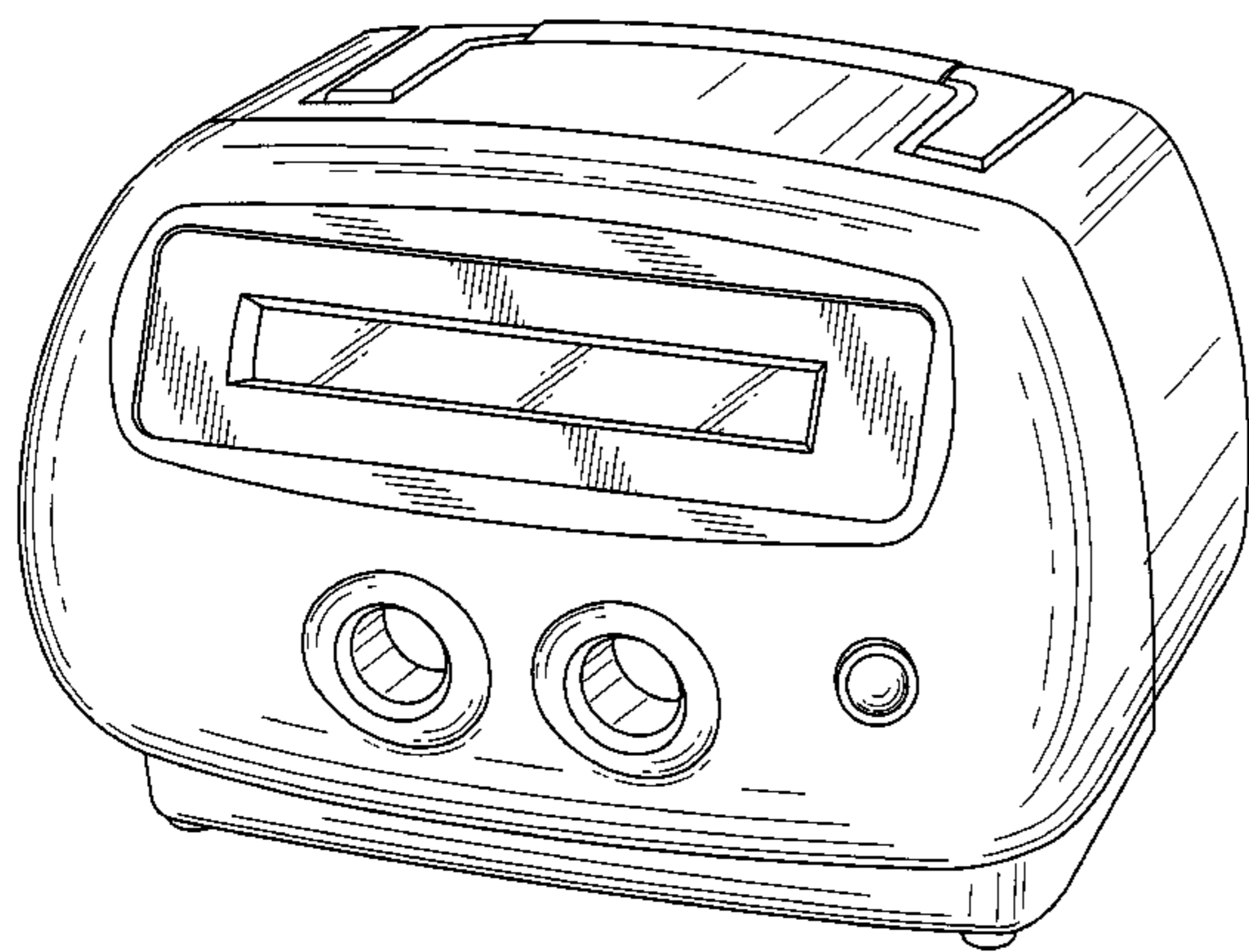
(57) **CLAIM**

The ornamental design for an air pulse generator, as shown and described.

DESCRIPTION

FIG. 1 is a perspective view as seen from the top, side and front of an air pulse generator showing our new design; FIG. 2 is a perspective view, as seen from the top, side and back thereof; FIG. 3 is a front elevational view thereof; FIG. 4 is a side elevational view thereof; FIG. 5 is a bottom plan view thereof; FIG. 6 is a top plan view thereof; and, FIG. 7 is a back elevational view thereof.

1 Claim, 7 Drawing Sheets



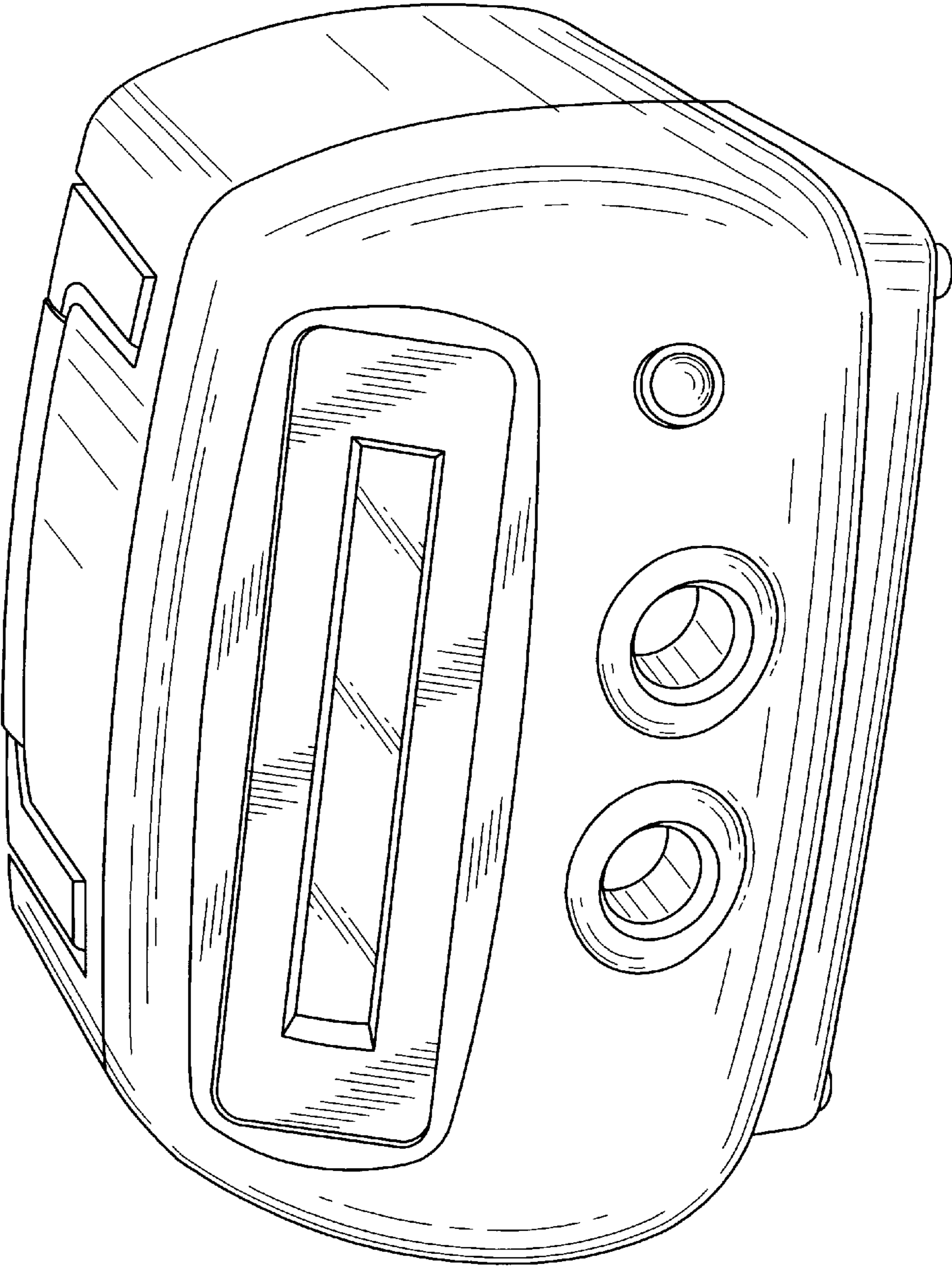


Fig. 1

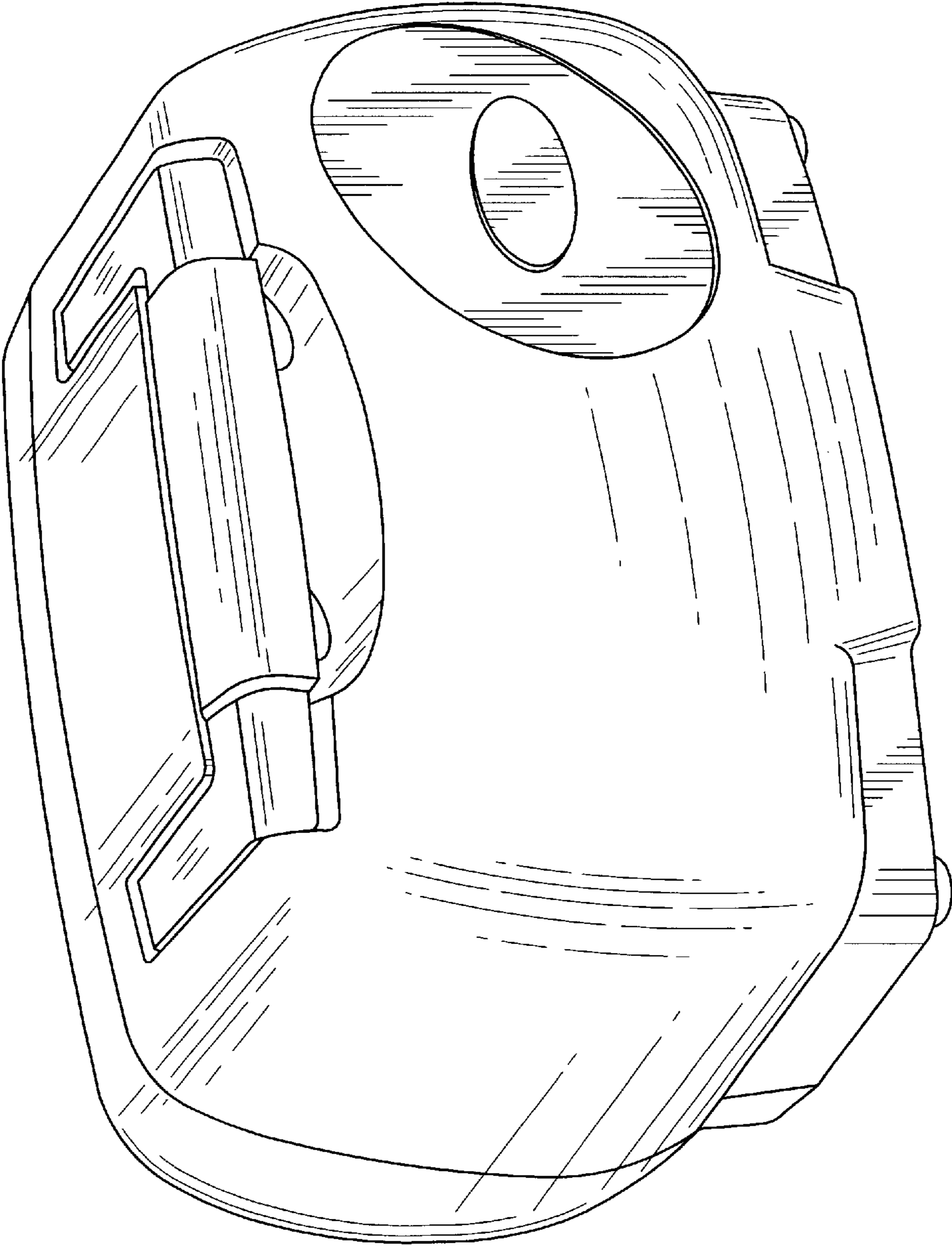


Fig. 2

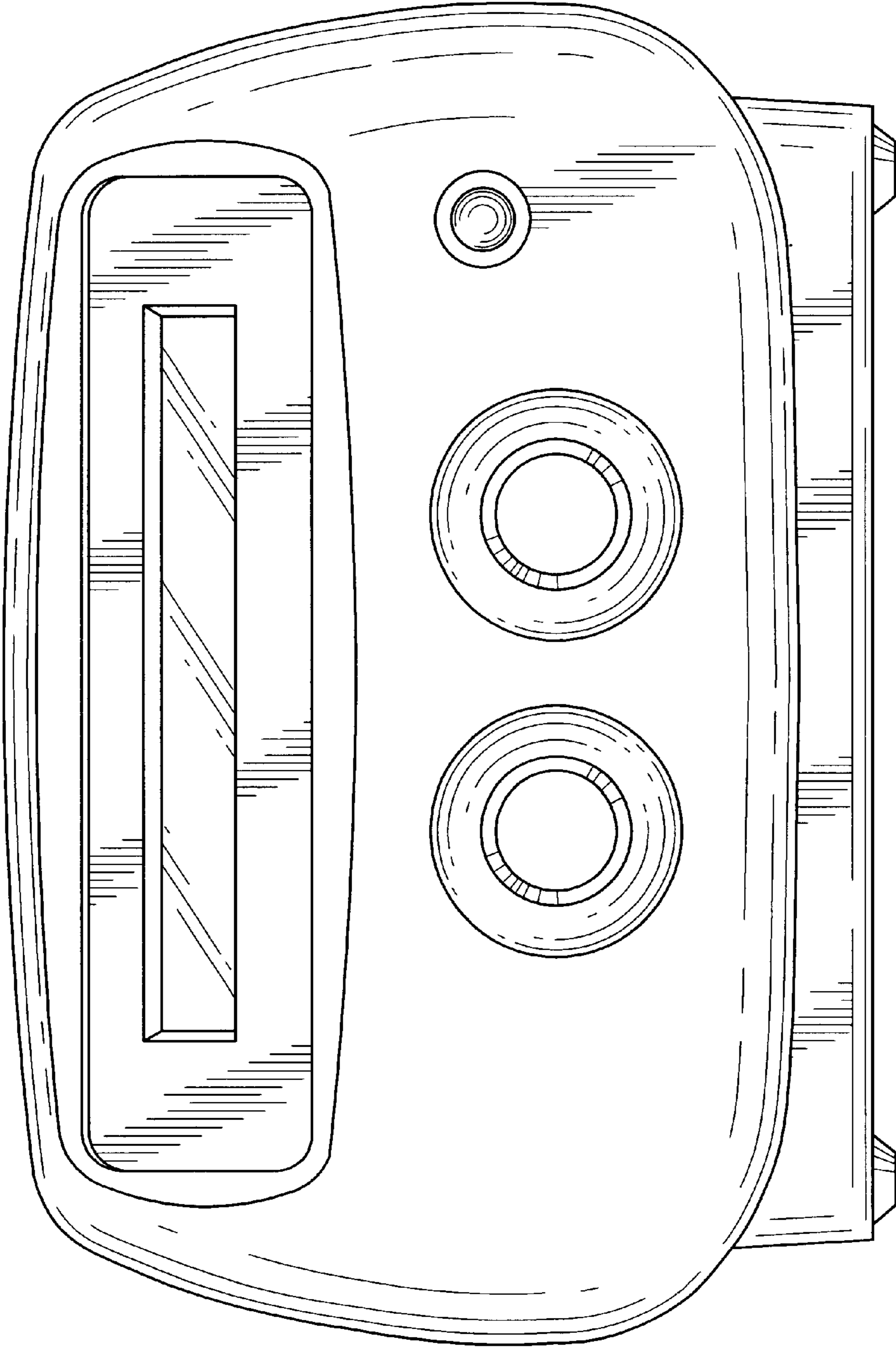


Fig. 3

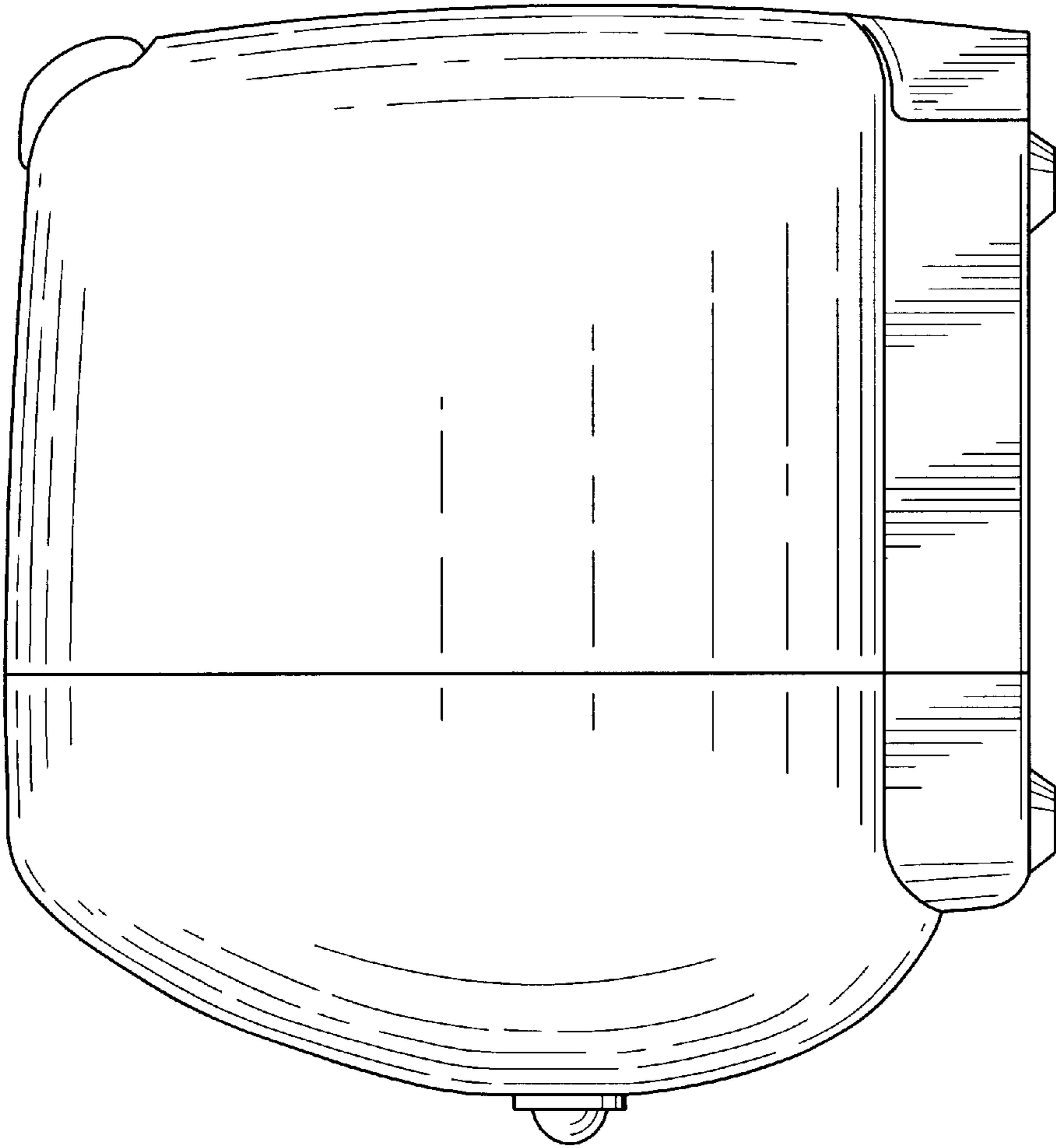


Fig. 4

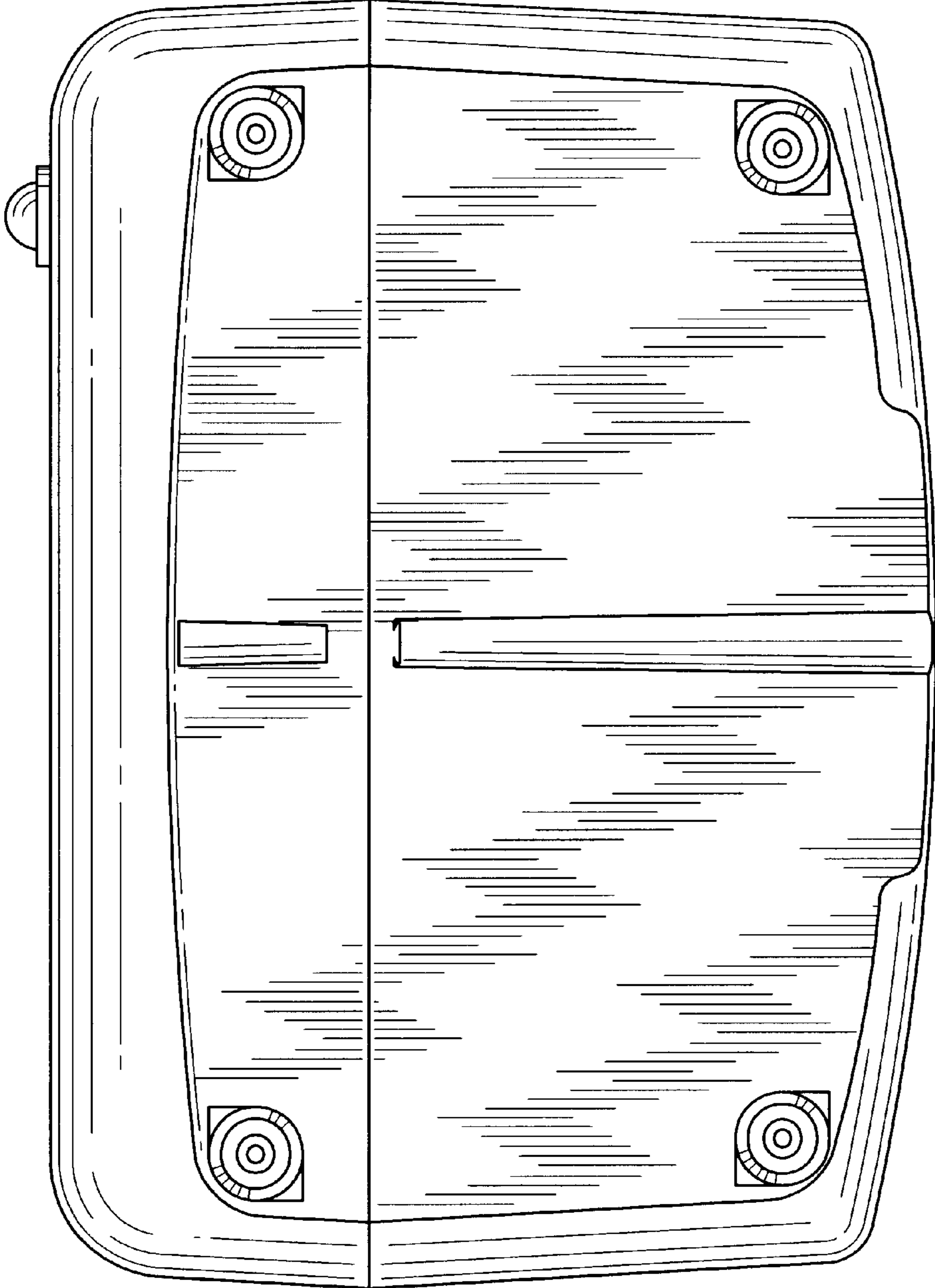


Fig. 5

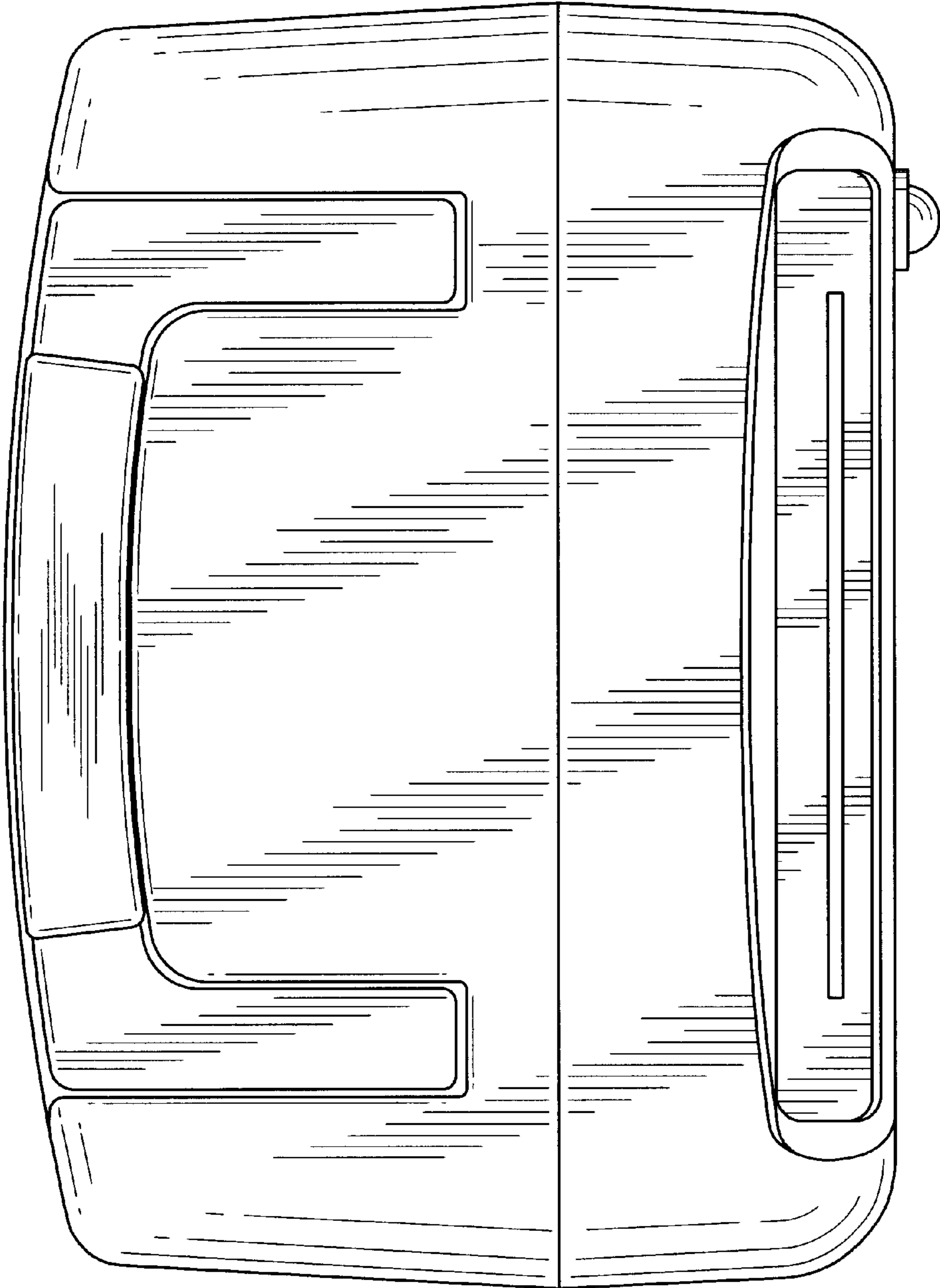


Fig. 6

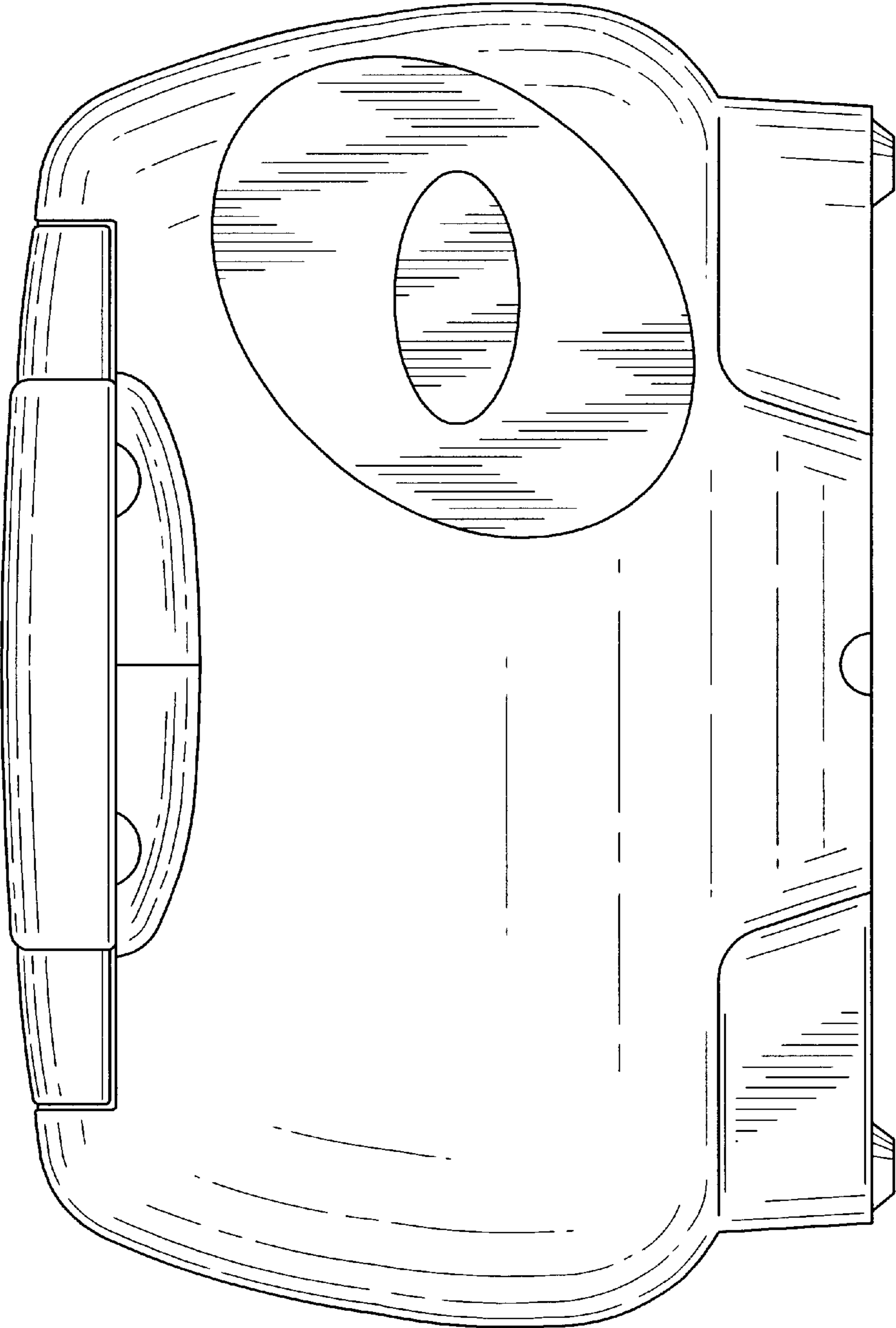


Fig. 7