

US00D498522S

(12) **United States Design Patent**
Lanius

(10) **Patent No.:** **US D498,522 S**

(45) **Date of Patent:** **** Nov. 16, 2004**

(54) **LAVATORY**

(75) **Inventor:** **Jason T. Lanius**, Sheboygan, WI (US)

(73) **Assignee:** **Kohler Co.**, Kohler, WI (US)

(**) **Term:** **14 Years**

(21) **Appl. No.:** **29/179,652**

(22) **Filed:** **Apr. 11, 2003**

(51) **LOC (7) Cl.** **23-02**

(52) **U.S. Cl.** **D23/293.1**

(58) **Field of Search** D23/271, 273,
D23/284–286, 293.1, 303, 308; 4/630–642,
661, 663–665, 619, 645–646, 650–652;
D2/289–292

(56) **References Cited**

U.S. PATENT DOCUMENTS

D202,410 S	*	9/1965	Sundberg	D23/293.1
D264,749 S	*	6/1982	Bengtson	D23/292
D396,271 S	*	7/1998	Garza	D23/292
D412,562 S	*	8/1999	Soulier	D23/292
D472,617 S	*	4/2003	Lanius	D23/292

OTHER PUBLICATIONS

Undated Jacob Delafon catalog ad showing a “Presq’ile” wall-hung lavatory, admitted prior art.
1984 Ideal Standard catalog ad showing a “Linda” pedestal lavatory.

Undated Kohler catalog ad, p. 92, showing a “Farmington” lavatory, admitted prior art.

* cited by examiner

Primary Examiner—Robert A. Delehanty

(74) *Attorney, Agent, or Firm*—Quarles & Brady LLP

(57) **CLAIM**

The claim design for a lavatory, as shown and described.

DESCRIPTION

FIG. 1 is a right, top, front perspective view of a lavatory embodying my new design;

FIG. 2 is a top plan view thereof;

FIG. 3 is a front elevational view thereof;

FIG. 4 is a right side elevational view thereof, the left side elevational view thereof being a mirror image of the right side shown;

FIG. 5 is a rear elevational view thereof, the portions of which that are not visible when the lavatory rear abuts a solid room wall being shown for illustration only and form no part of the claimed design; and,

FIG. 6 is a bottom plan view thereof.

The broken line representations of holes in FIGS. 1, 2, 5 and 6, of support structure in FIGS. 5 and 6, and of a pedestal in FIG. 1, are for the purpose of illustration only, and form no part of the claimed design.

1 Claim, 3 Drawing Sheets

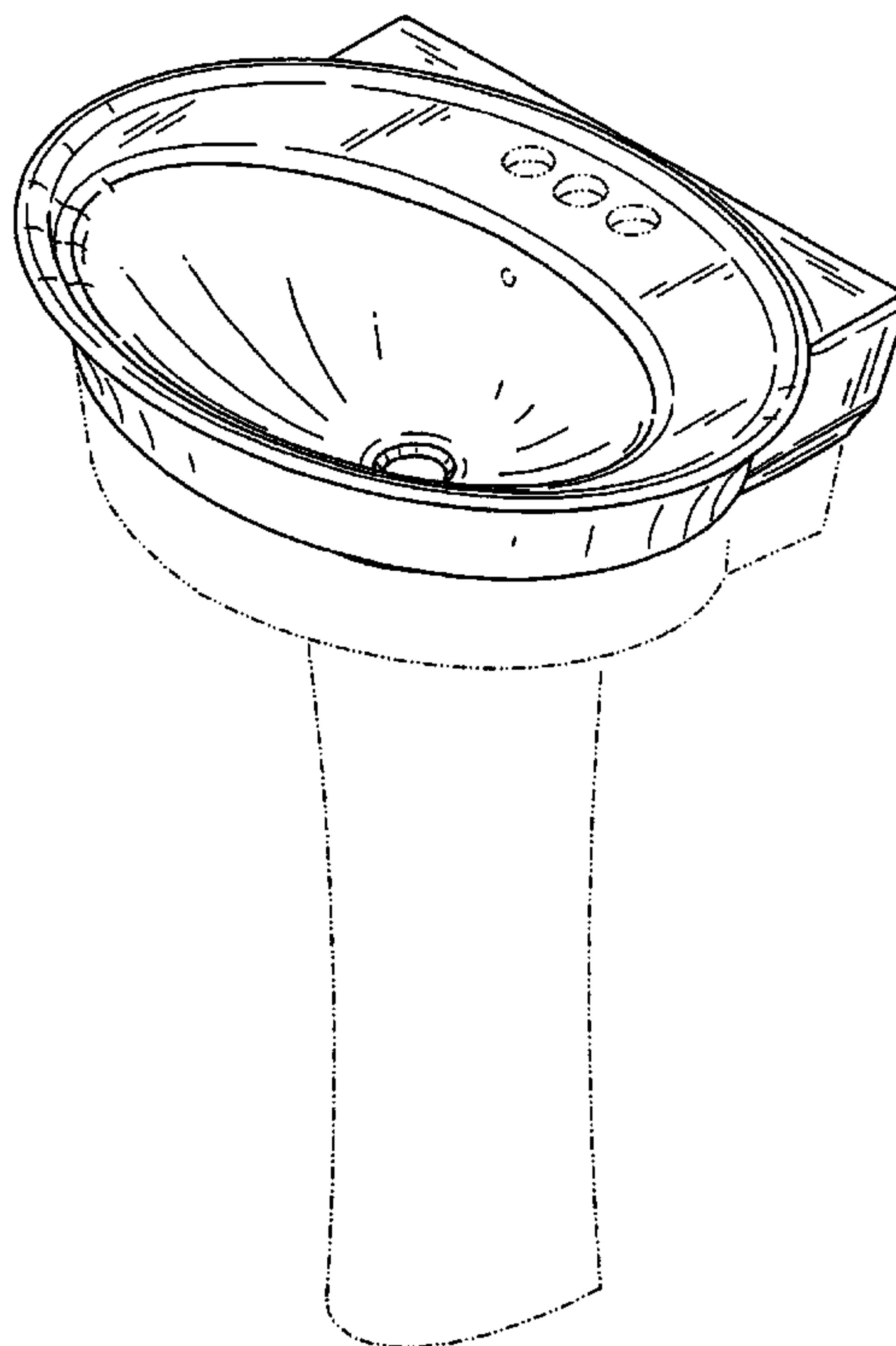


FIG. 1

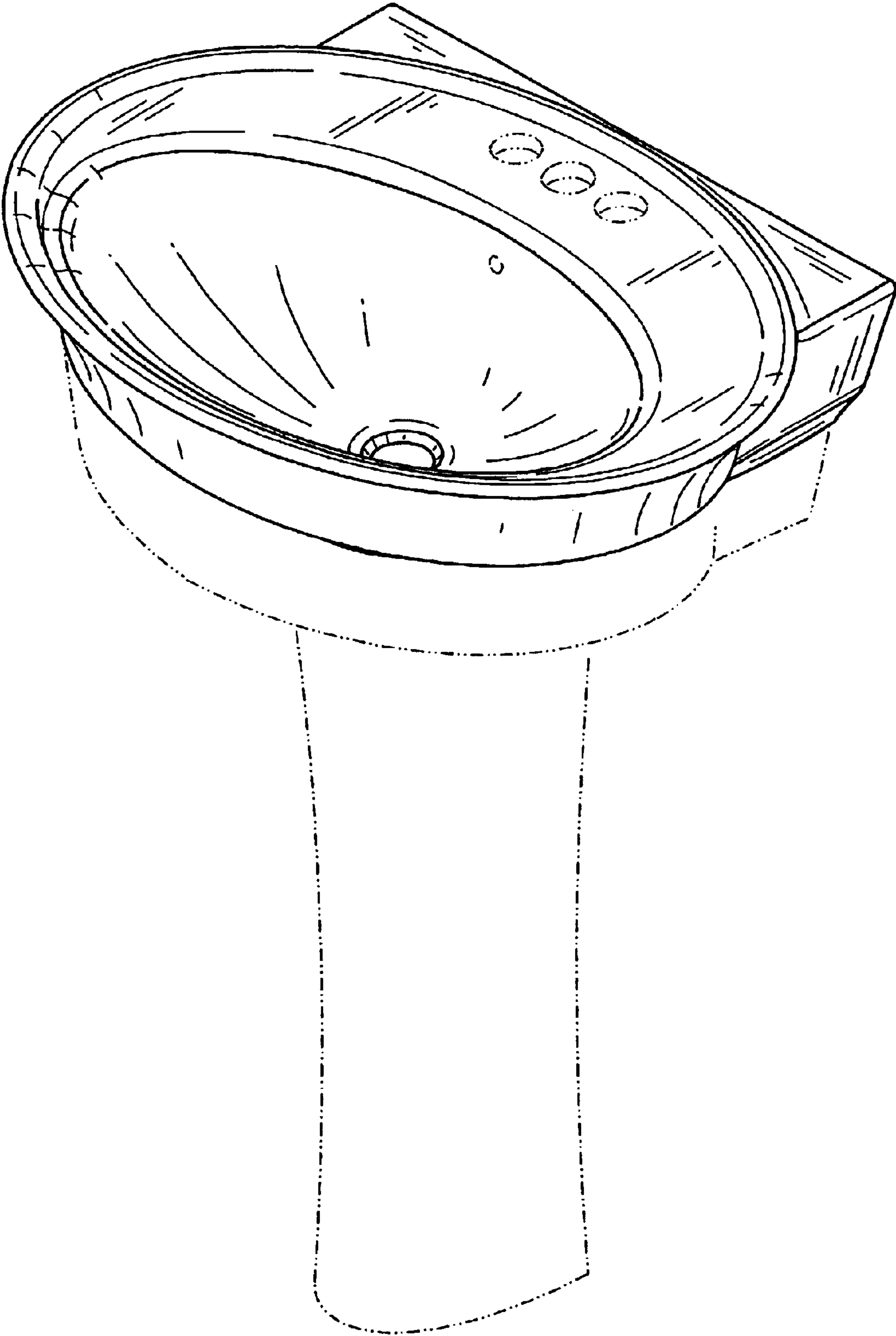


FIG. 2

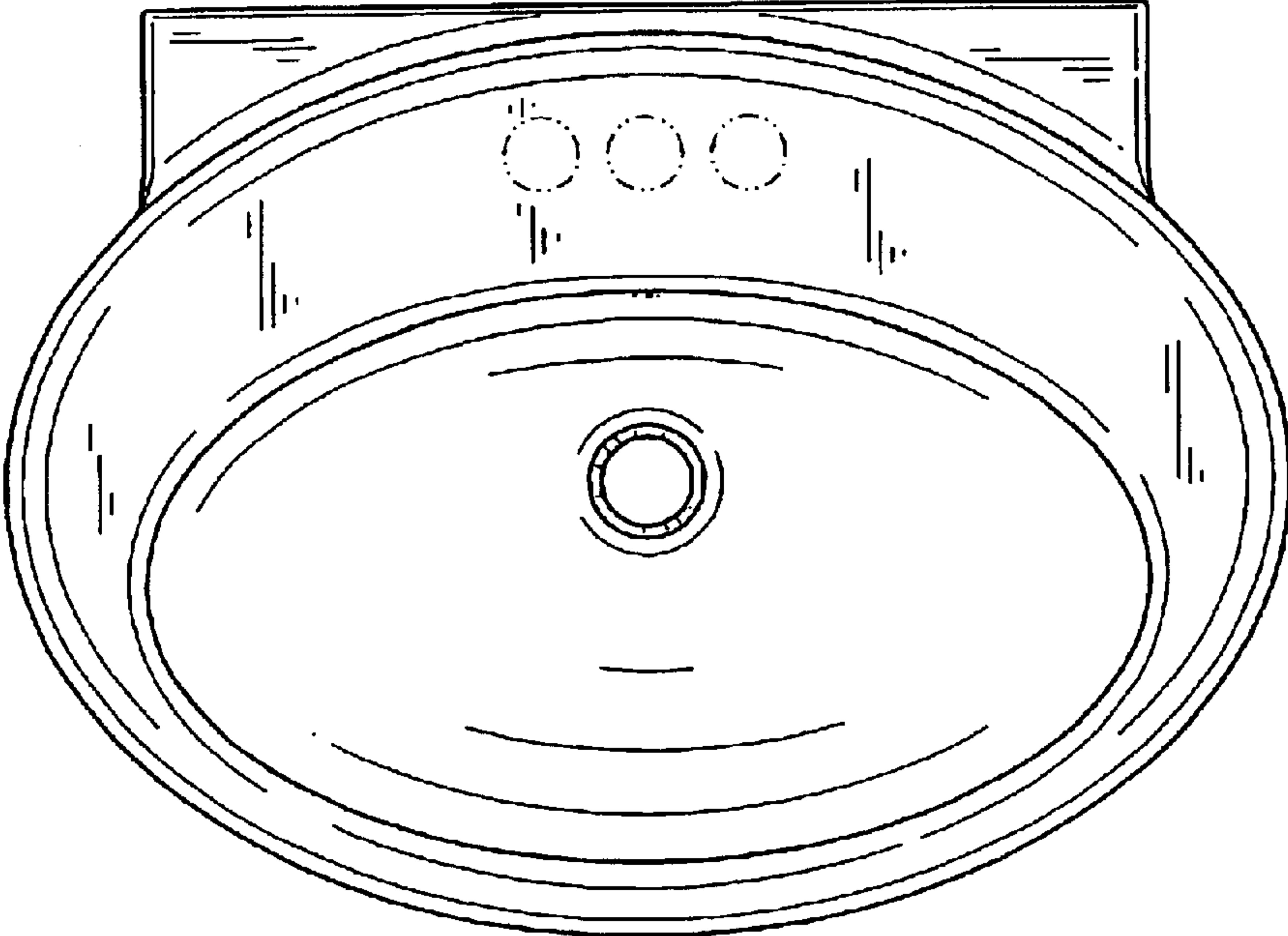


FIG. 3

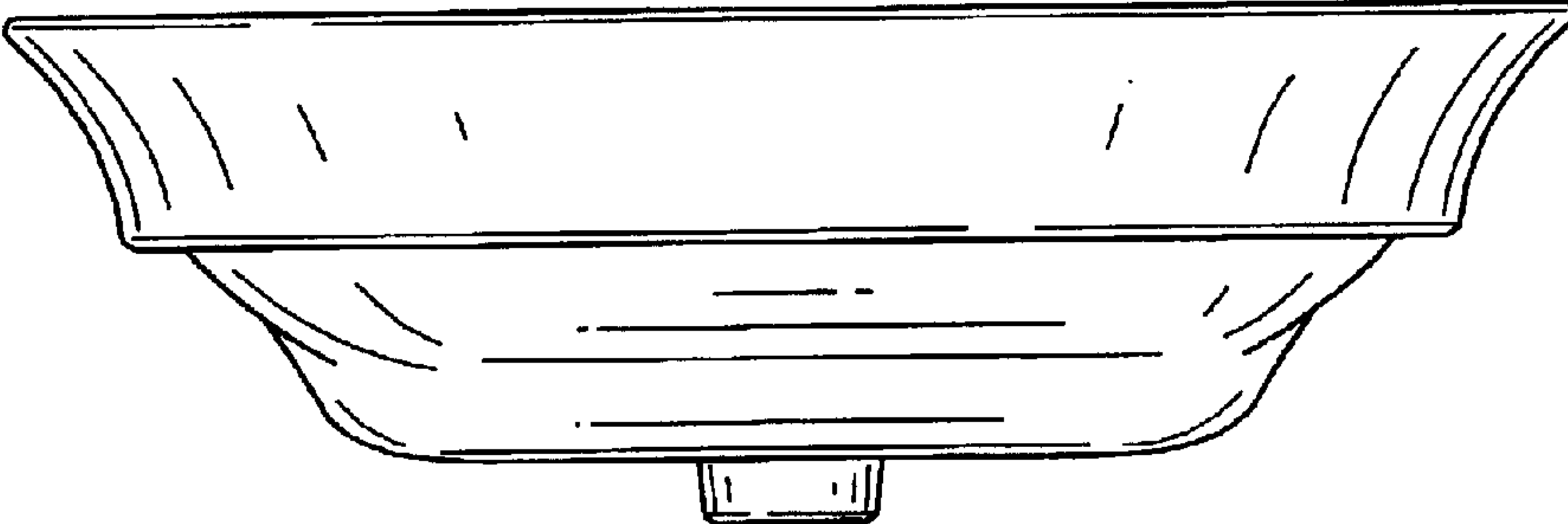


FIG. 4

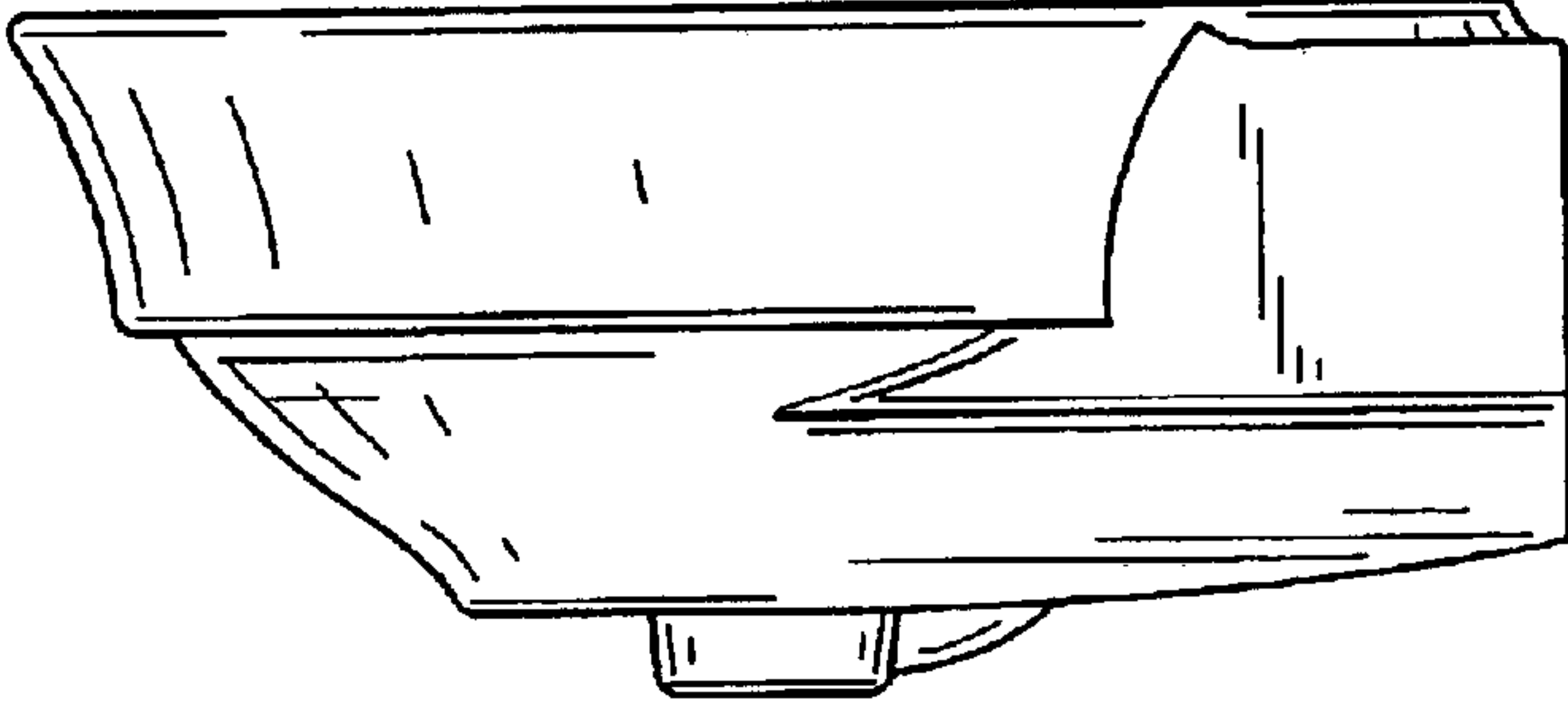


FIG. 5

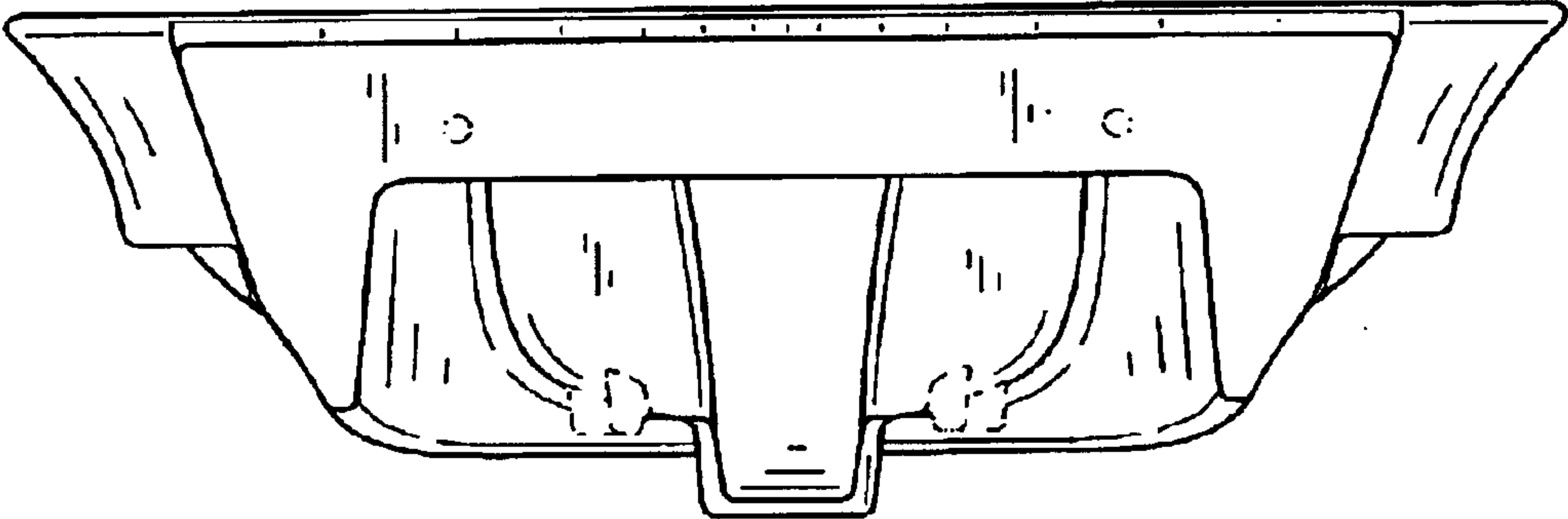


FIG. 6

