

US00D498521S

(12) **United States Design Patent** (10) **Patent No.:** **US D498,521 S**
Bayer (45) **Date of Patent:** **** Nov. 16, 2004**

(54) **SINK**

(75) Inventor: **Michelle E. Bayer**, Benton Harbor, MI (US)

(73) Assignee: **Kohler Co.**, Kohler, WI (US)

(**) Term: **14 Years**

(21) Appl. No.: **29/179,495**

(22) Filed: **Apr. 10, 2003**

(51) **LOC (7) Cl.** **23-02**

(52) **U.S. Cl.** **D23/293.1**

(58) **Field of Search** D23/270-271,
D23/273, 284-285, 290-292, 293.1, 303,
308; 4/664-665, 619, 522, 623-624, 639-642,
650-651, 660-661

(56) **References Cited**

U.S. PATENT DOCUMENTS

D234,199 S * 1/1975 Stairs D23/293.1
6,006,388 A 12/1999 Young 8/158

OTHER PUBLICATIONS

Undated Kohler catalog showing a K-2297 sink, admitted prior art.

Undated Kohler catalog showing a K-6538 drain pan, admitted prior art.

Undated Kohler catalog shown a "Trocadero" lavatory, admitted prior art.

* cited by examiner

Primary Examiner—Louis S. Zarfes

Assistant Examiner—Robert A Delehanty

(74) *Attorney, Agent, or Firm*—Quarles & Brady LLP

(57) **CLAIM**

The ornamental design for a sink, as shown and described.

DESCRIPTION

In a preferred embodiment, the nature of this product is as a plumbing fixture primarily useful for washing various objects.

FIG. 1 is a right, top, front perspective view of a sink embodying my new design;

FIG. 2 is a top plan view thereof;

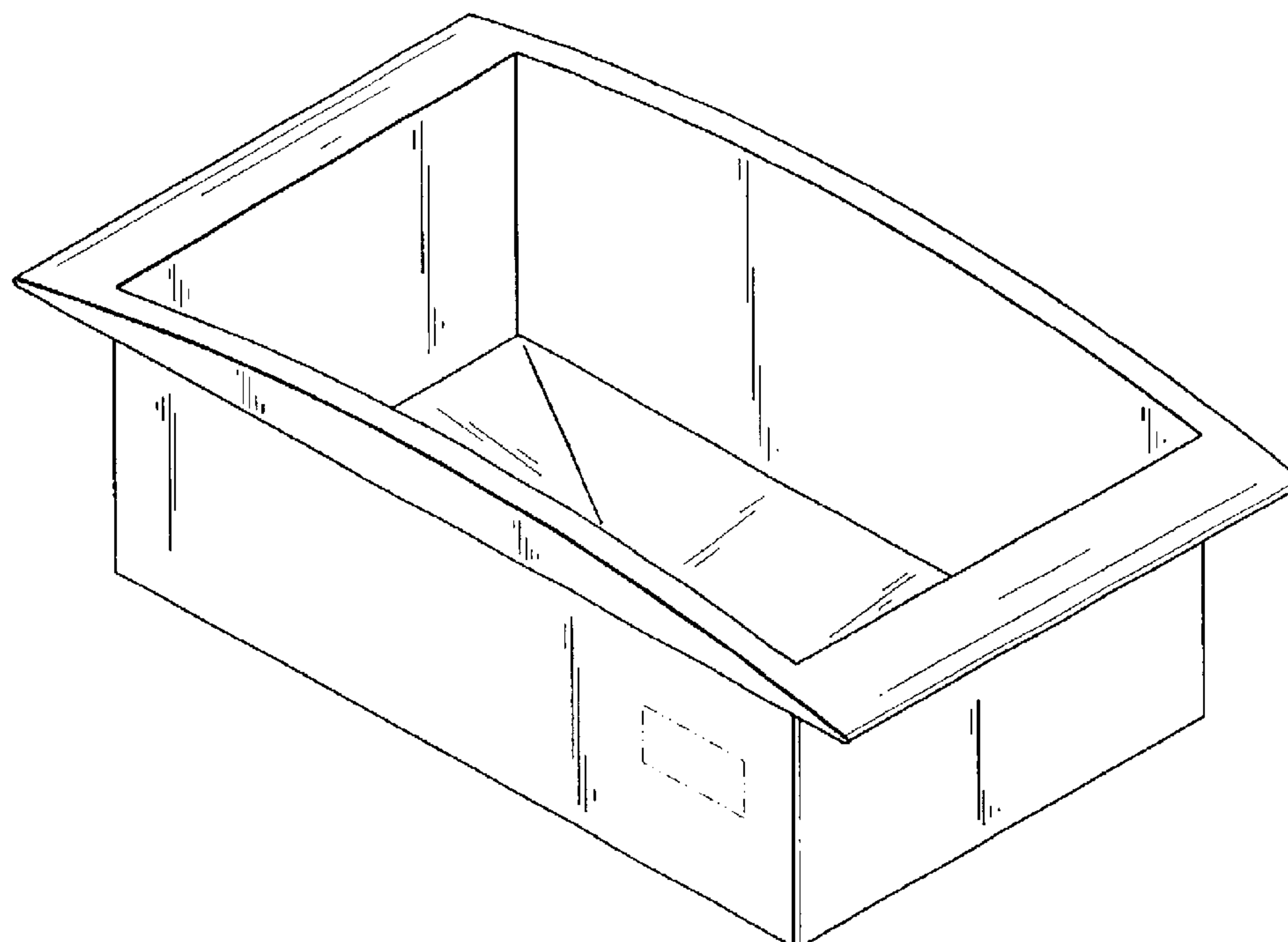
FIG. 3 is a front elevational view thereof, the rear elevational view thereof being identical to the front elevational view shown;

FIG. 4 is a right side elevational view thereof, the left side elevational view thereof being identical to the right side elevational view shown; and,

FIG. 5 is a bottom plan view thereof.

The broken line representations of a sound deadening pad in FIGS. 1, 3, 4, and 5 are for the purpose of illustration only, and form no part of the claimed design.

1 Claim, 2 Drawing Sheets



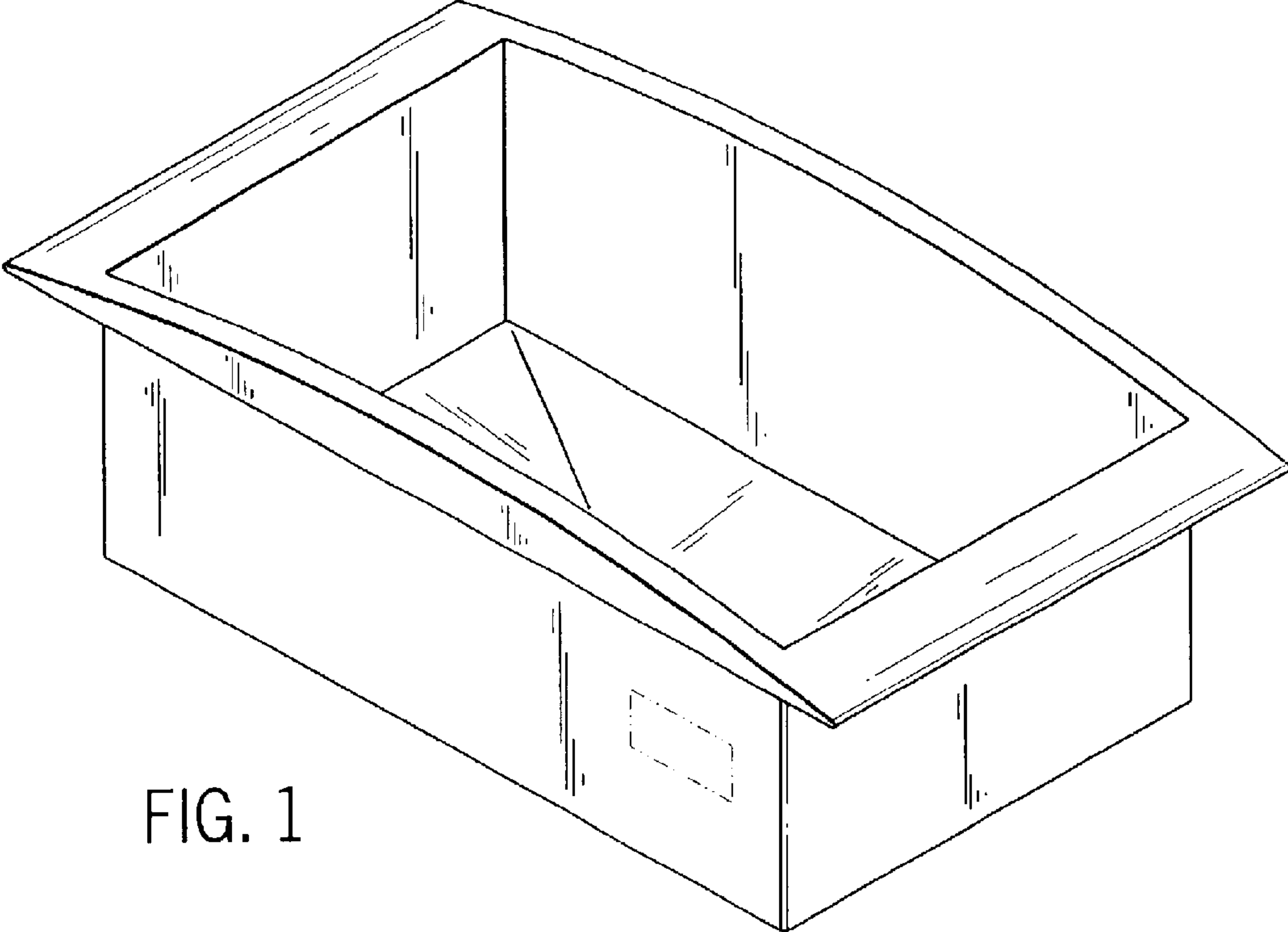


FIG. 1

FIG. 2

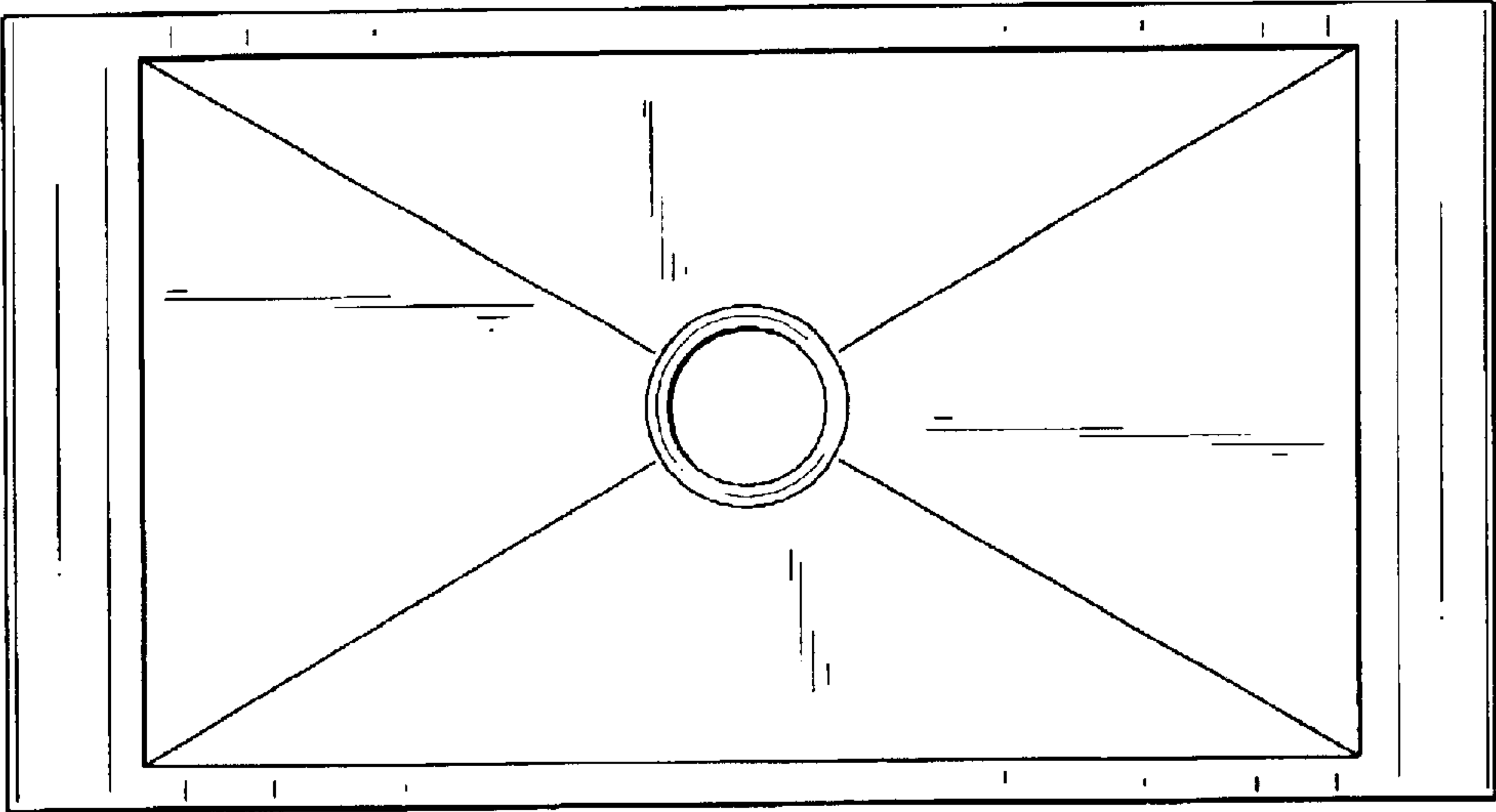


FIG. 3

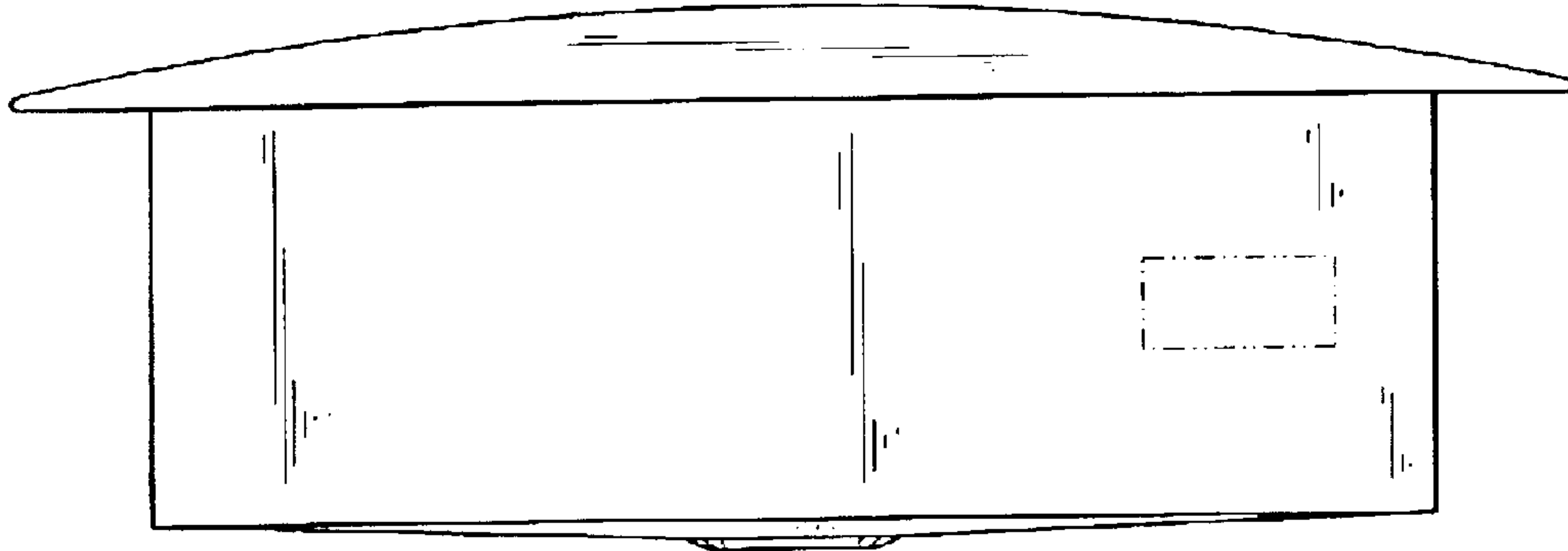


FIG. 4

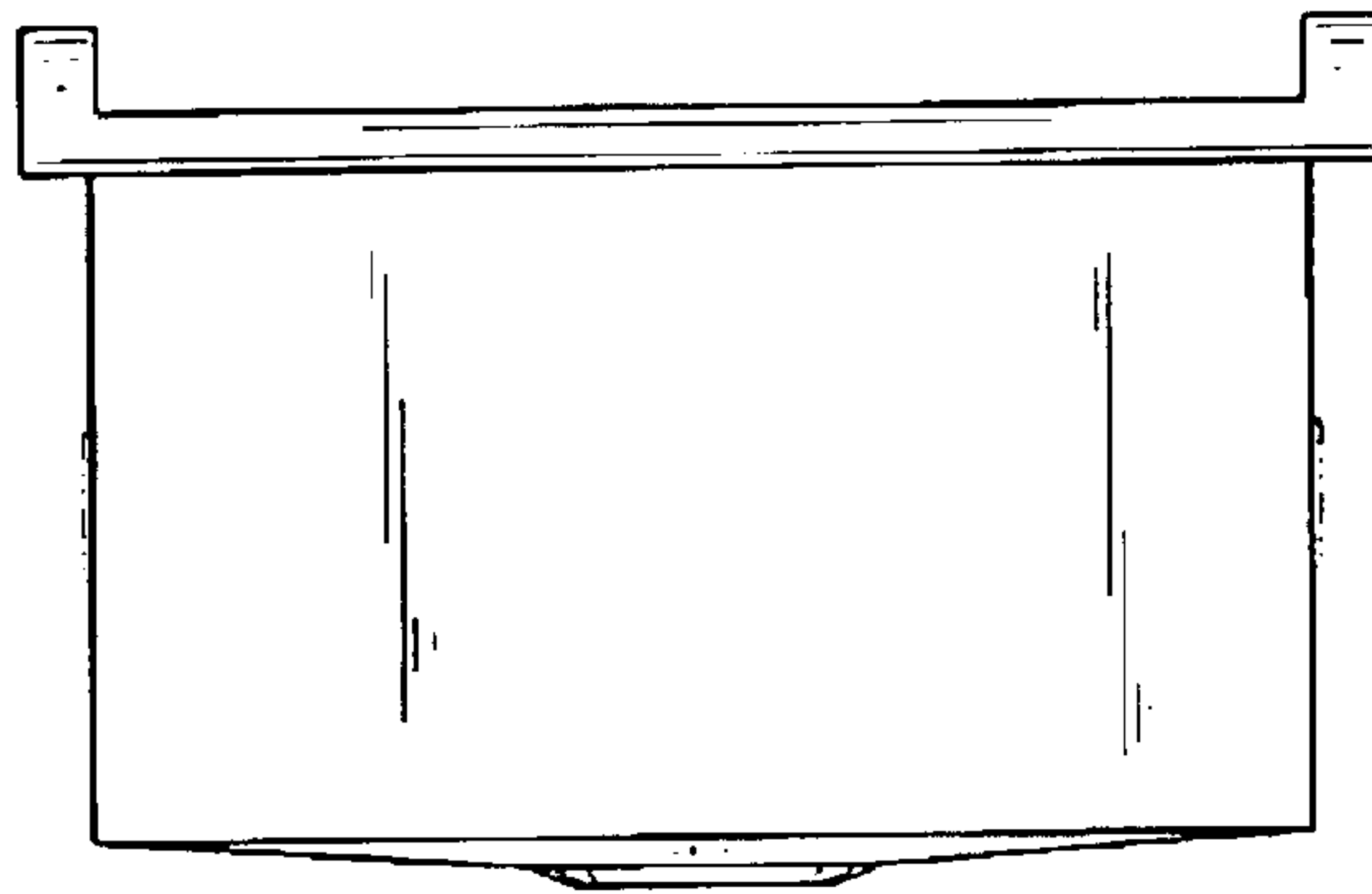


FIG. 5

