



US00D498520S

(12) **United States Design Patent**
Rachiele

(10) **Patent No.:** **US D498,520 S**

(45) **Date of Patent:** **** Nov. 16, 2004**

(54) **KITCHEN SINK**

Primary Examiner—Robert A. Delehanty

(74) *Attorney, Agent, or Firm*—William M. Hobby, III

(76) **Inventor:** **Dino F. Rachiele**, 2611 Concourse Rd.,
Apopka, FL (US) 32703

(**) **Term:** **14 Years**

(57) **CLAIM**

(21) **Appl. No.:** **29/197,137**

The ornamental design for a kitchen sink, as shown and described.

(22) **Filed:** **Jan. 12, 2004**

(51) **LOC (7) Cl.** **23-02**

(52) **U.S. Cl.** **D23/290**

(58) **Field of Search** D23/270–273,
D23/284–287, 290, 293.1, 303, 308; 4/662–666,
619, 630–631, 637–640, 642, 650–652,
661

DESCRIPTION

FIG. 1 is a front right side perspective view of my new kitchen sink;

FIG. 2 is a front elevation;

FIG. 3 is a rear elevation;

FIG. 4 is a left side elevation;

FIG. 5 is a top plan view; and,

FIG. 6 is a bottom plan view.

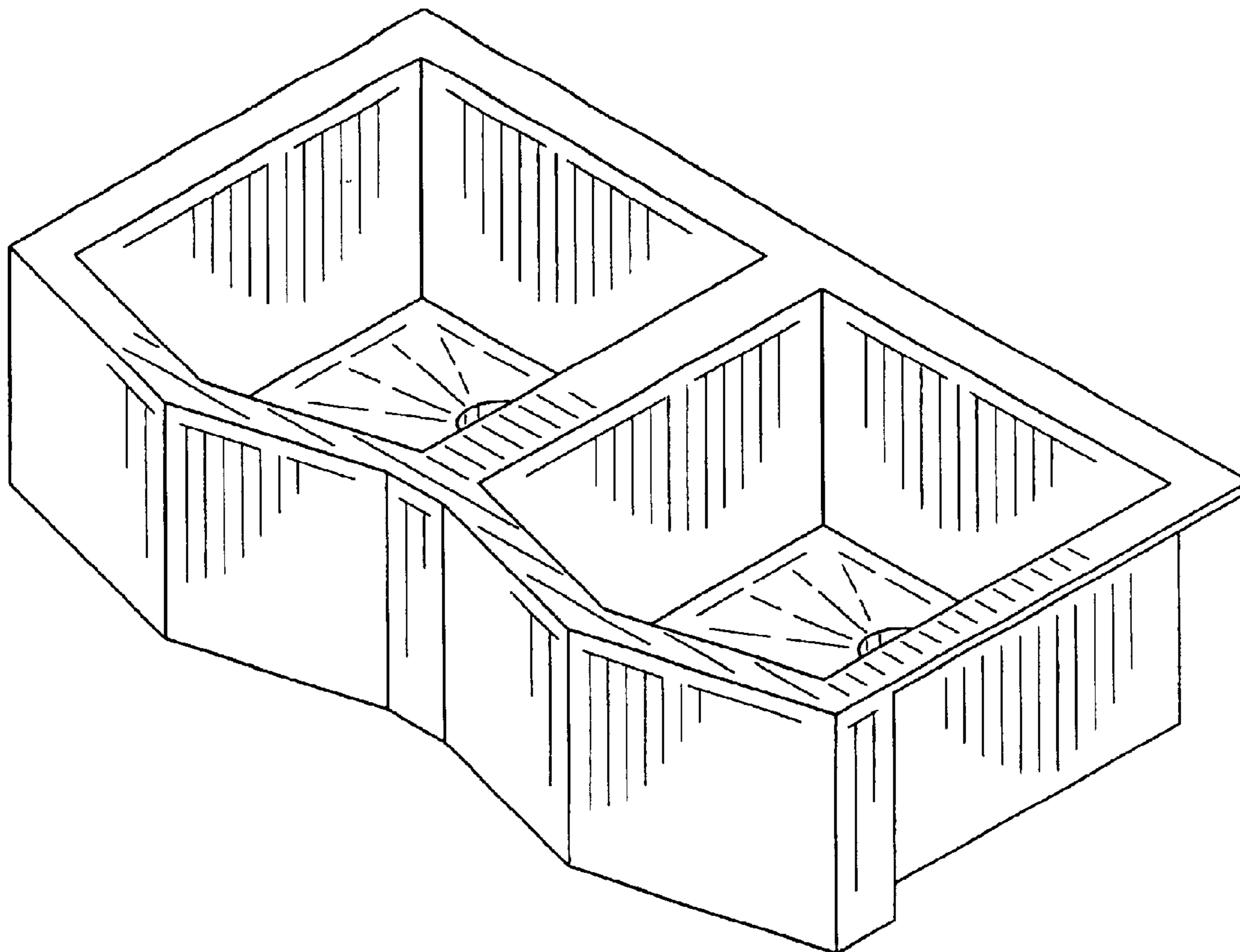
(56) **References Cited**

U.S. PATENT DOCUMENTS

D411,289 S * 6/1999 Piferski et al. D23/290

* cited by examiner

1 Claim, 2 Drawing Sheets



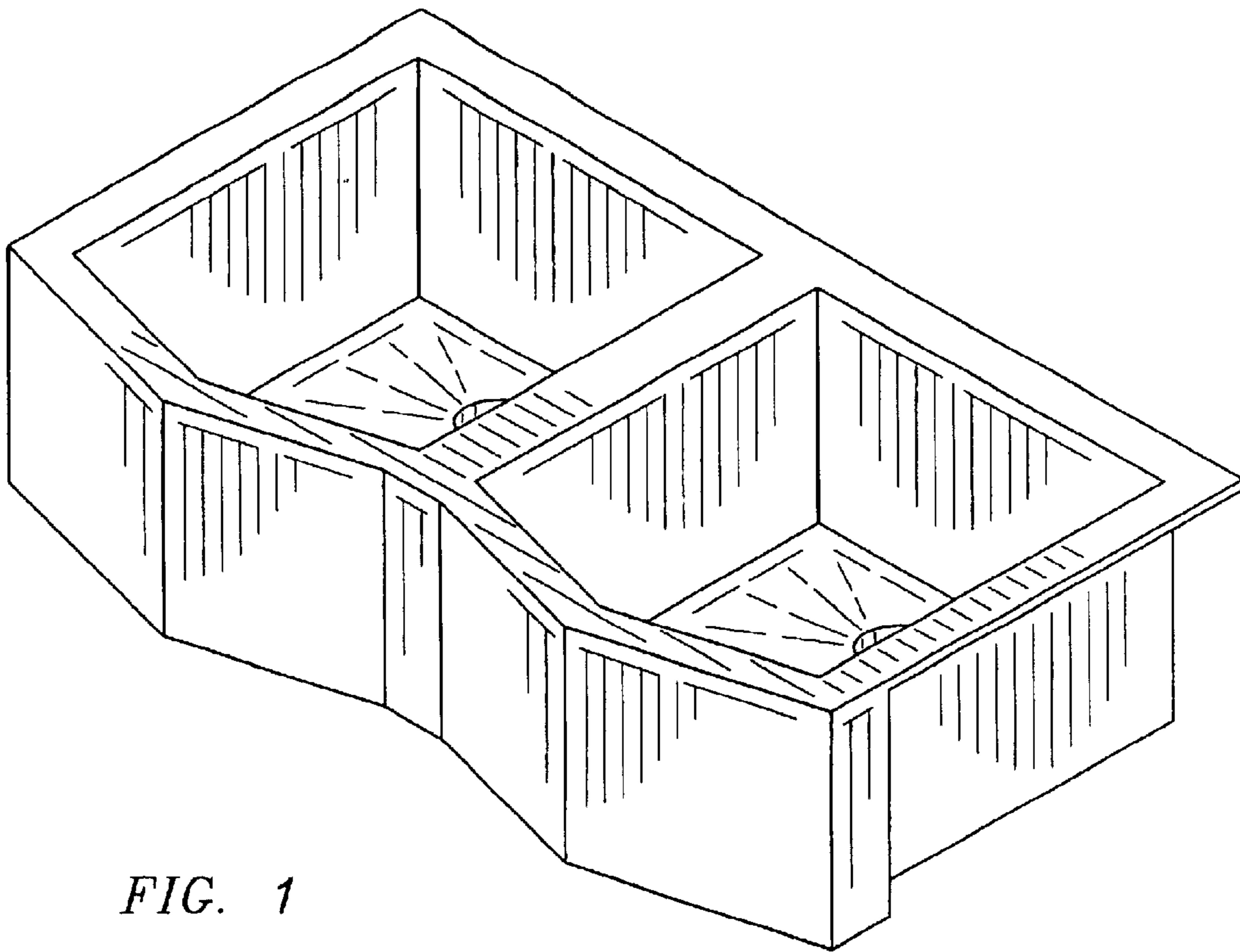


FIG. 1

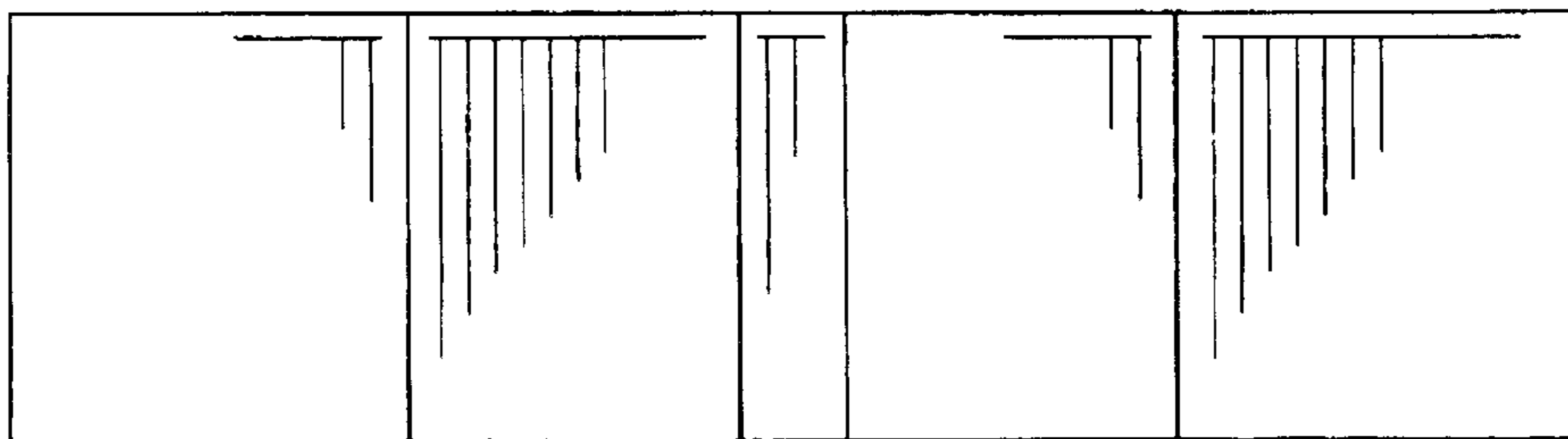


FIG. 2

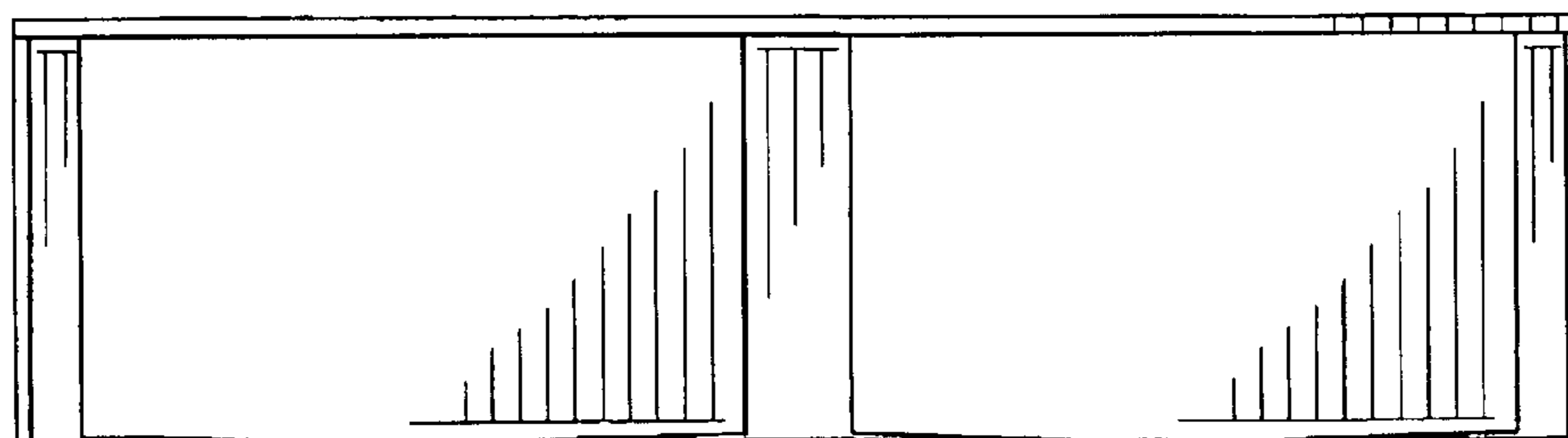


FIG. 3

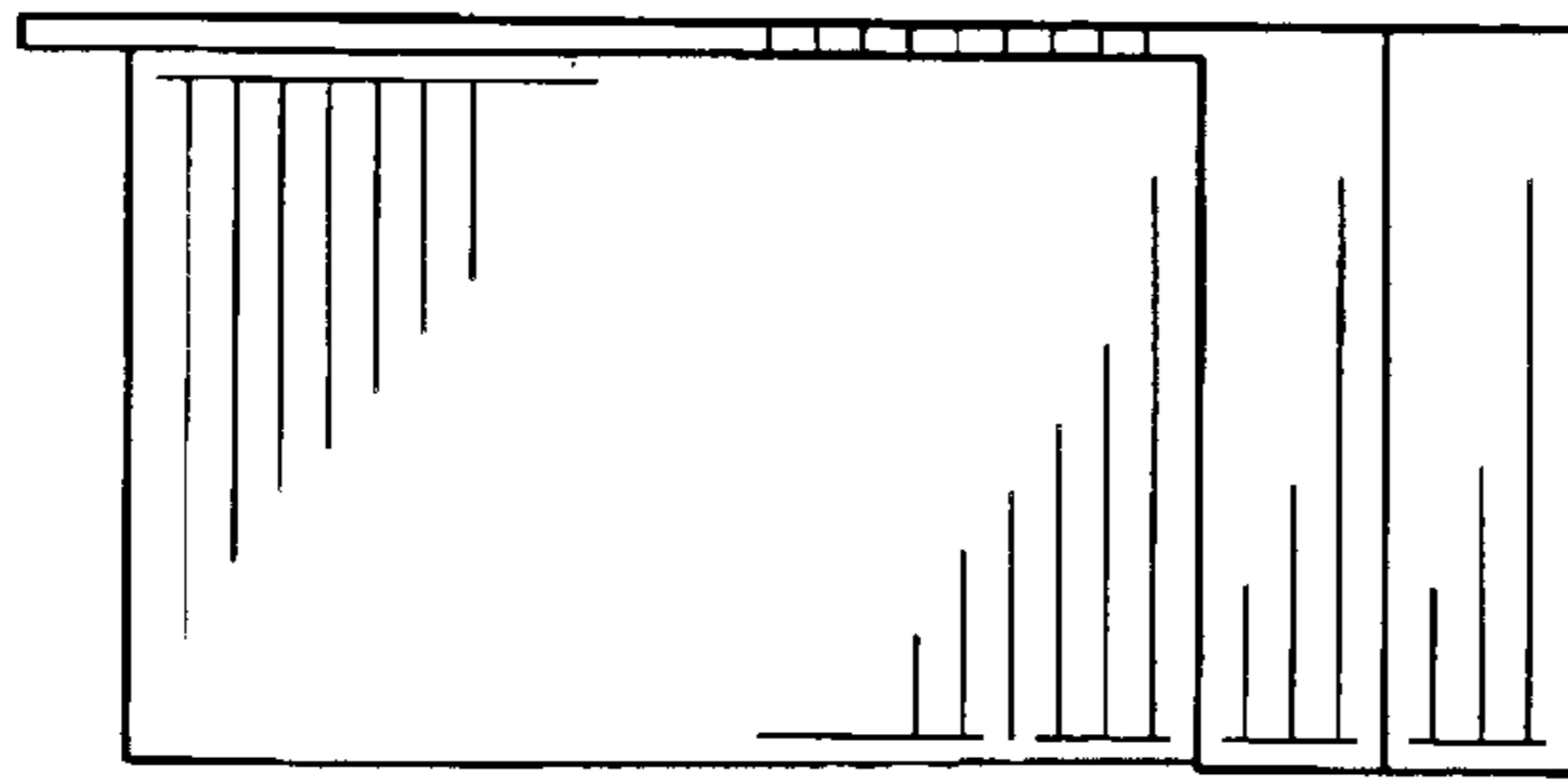


FIG. 4

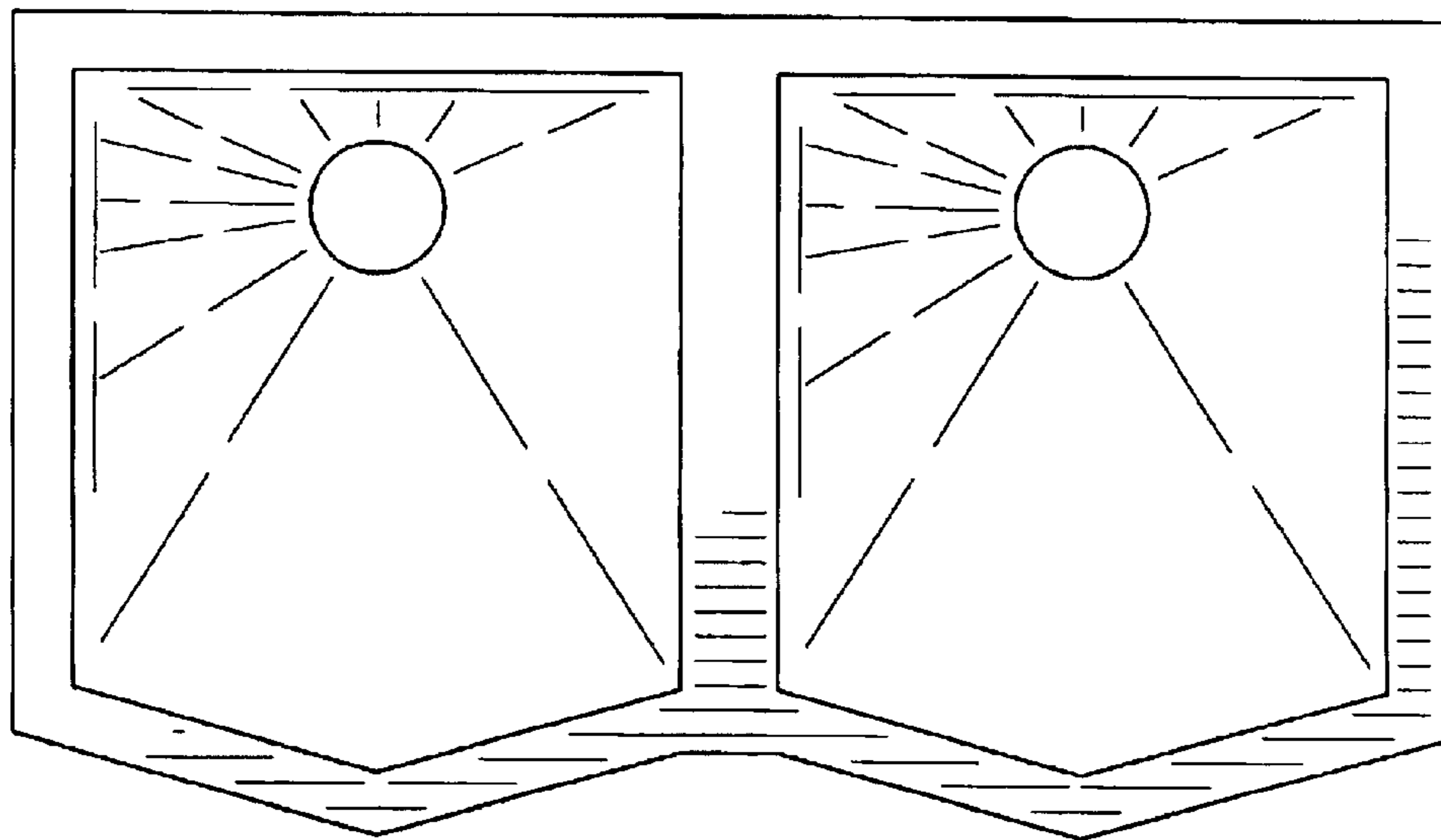


FIG. 5

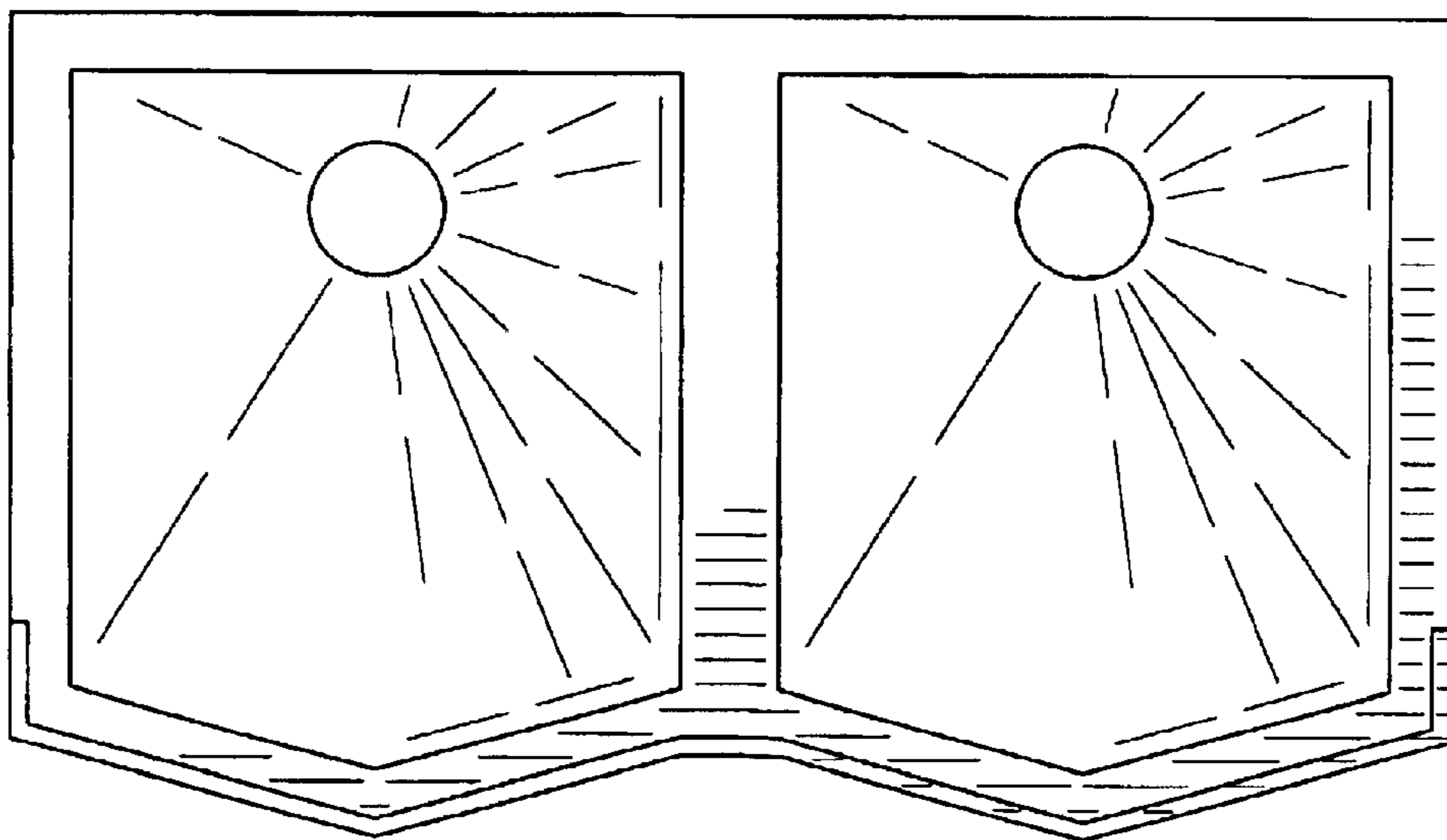


FIG. 6